



US00D481497S

(12) **United States Design Patent**
Malmqvist et al.

(10) **Patent No.:** **US D481,497 S**

(45) **Date of Patent:** **** Oct. 28, 2003**

(54) **BACK PACK BLOWER**

(75) Inventors: **Lars Malmqvist**, Forserum (SE); **Anna Sjögren**, Jönköping (SE); **Lotta Norinder**, Jönköping (SE); **Tommy Krevi**, Huskvarna (SE); **Ola Holmgren**, Huskvarna (SE); **Christer Almqvist**, Skillingaryd (SE); **Gustav Döragríp**, Jönköping (SE); **Andreas Hedlund**, Jönköping (SE); **Evalena Sandberg**, Stockholm (SE); **Anders Jakobsson**, Hjo (SE)

(73) Assignee: **Aktiebolaget Electrolux**, Stockholm (SE)

(**) Term: **14 Years**

(21) Appl. No.: **29/176,170**

(22) Filed: **Feb. 19, 2003**

(30) **Foreign Application Priority Data**

Aug. 21, 2002 (SE) 02-1236

(51) **LOC (7) Cl.** **15-05**

(52) **U.S. Cl.** **D32/15; D3/216**

(58) **Field of Search** **D32/1, 15, 25; D23/355; 15/344, 300.1, 303, 405; 239/DIG. 21; D3/214, 216-217**

(56) **References Cited**

U.S. PATENT DOCUMENTS

D285,848 S	*	9/1986	Iida et al.	D32/15
5,195,208 A	*	3/1993	Yamami et al.	15/405 X
5,813,088 A	*	9/1998	Wagner et al.	15/405 X
6,305,048 B1	*	10/2001	Salisian	15/405 X
6,526,624 B2	*	3/2003	Miyamoto	15/405 X

* cited by examiner

Primary Examiner—Louis S. Zarfes

Assistant Examiner—Robert A. Delehanty

(74) *Attorney, Agent, or Firm*—Pearne & Gordon LLP

(57) **CLAIM**

The ornamental design for a back pack blower, as shown and described.

DESCRIPTION

FIG. 1 is a perspective view showing our new back pack blower;

FIG. 2 is a front view thereof;

FIG. 3 is a top view thereof;

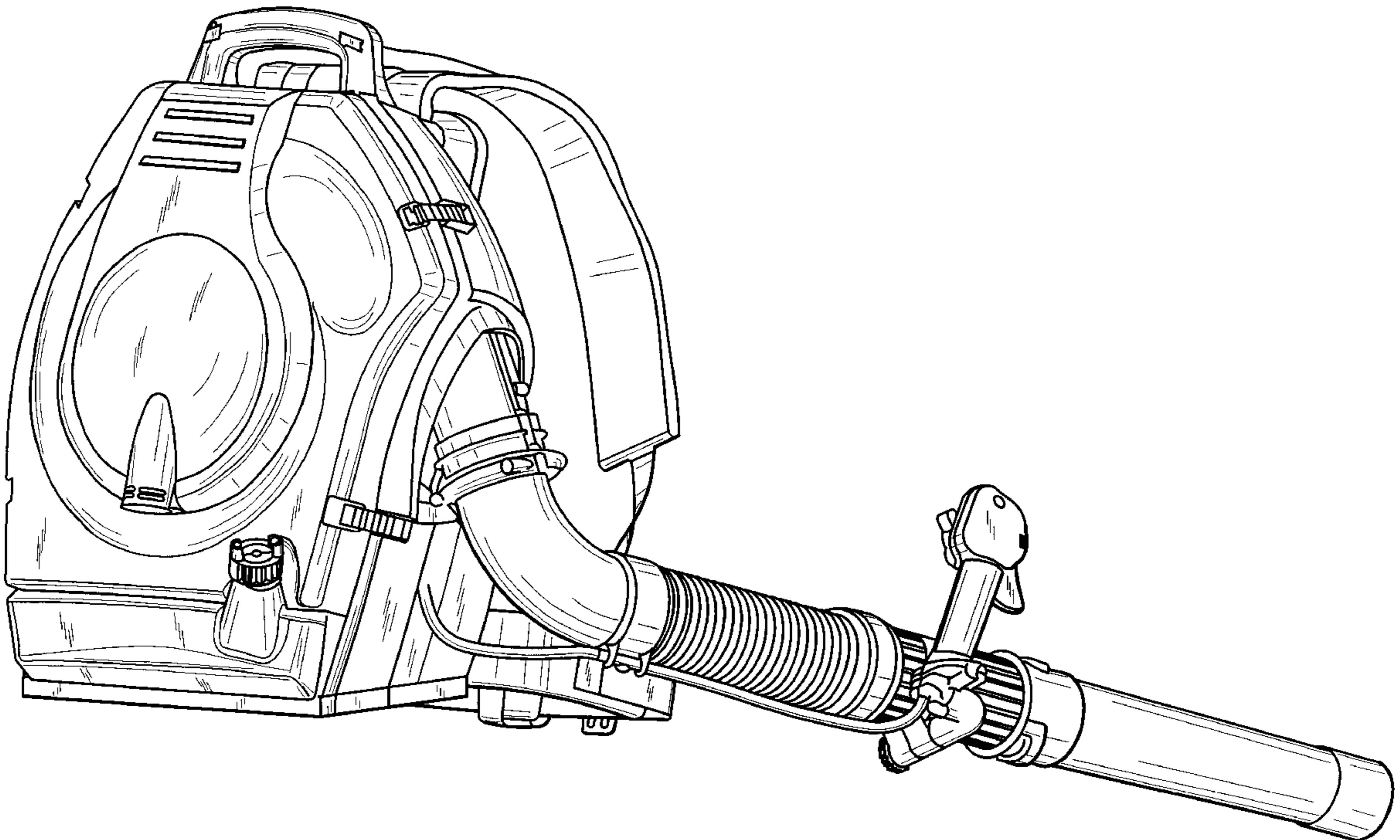
FIG. 4 is a bottom view thereof;

FIG. 5 is a left side view thereof;

FIG. 6 is a right side view thereof; and,

FIG. 7 is a rear view thereof.

1 Claim, 7 Drawing Sheets



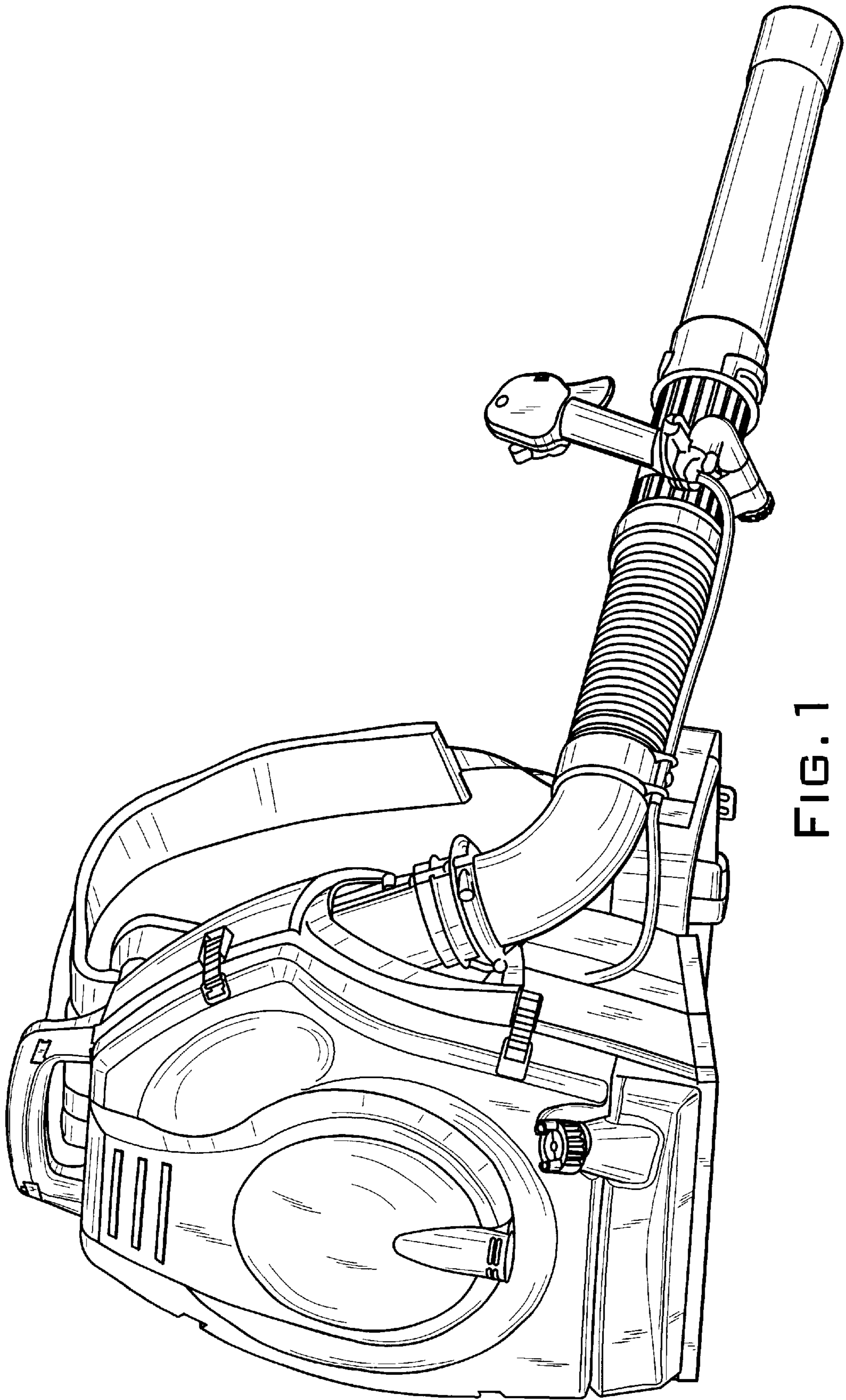


FIG. 1

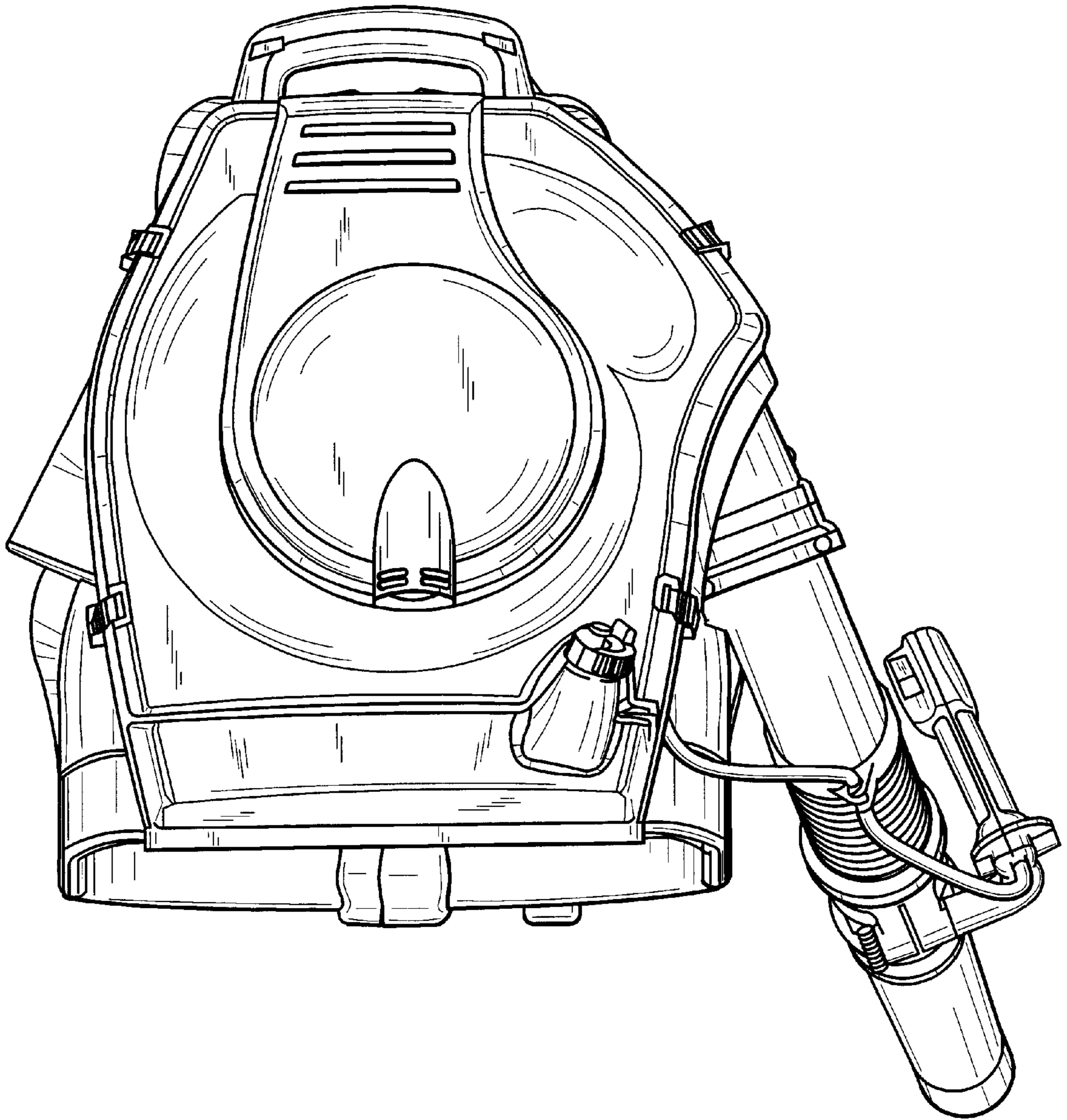


FIG. 2

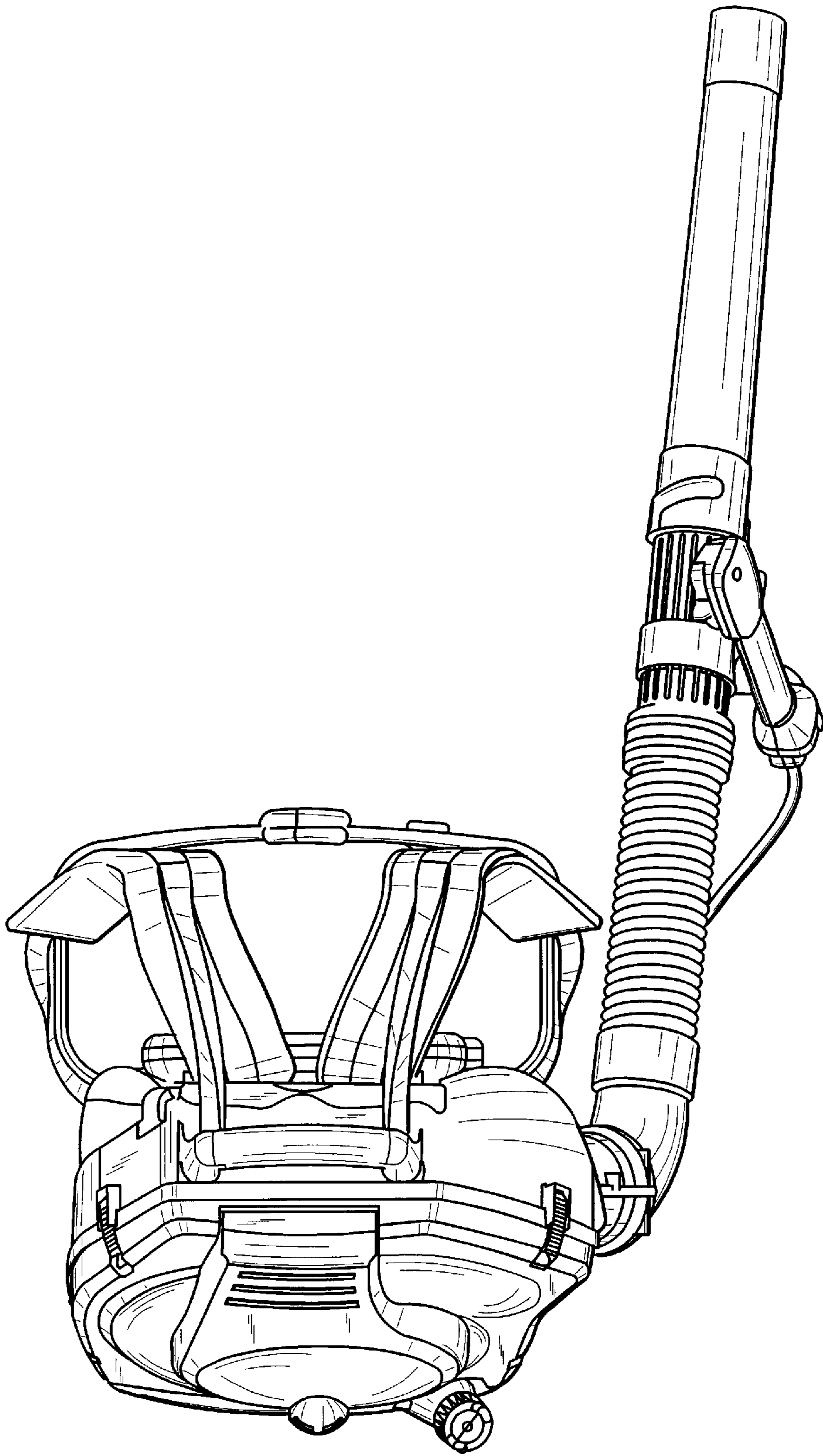


FIG. 3

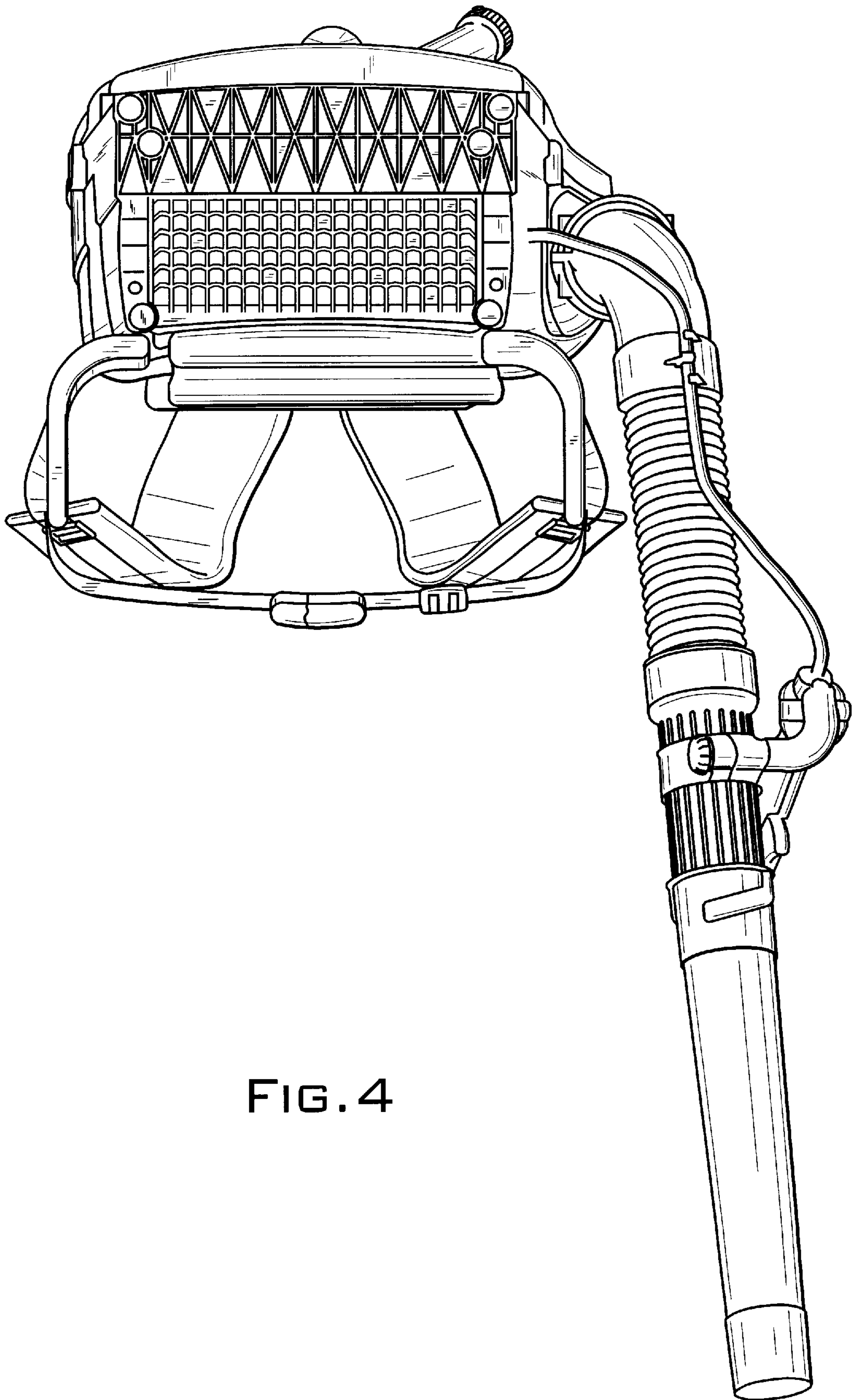


FIG. 4

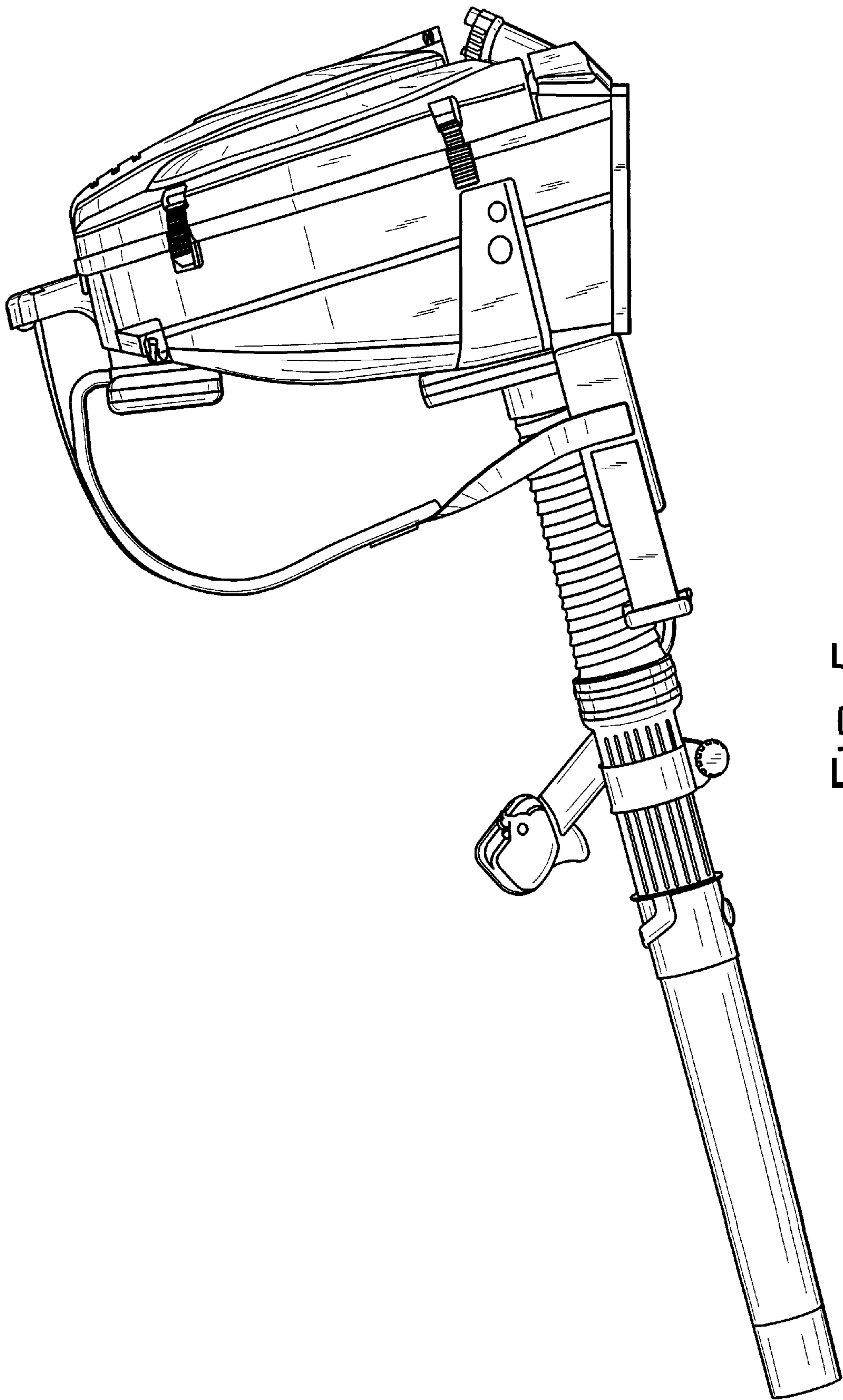


FIG. 5

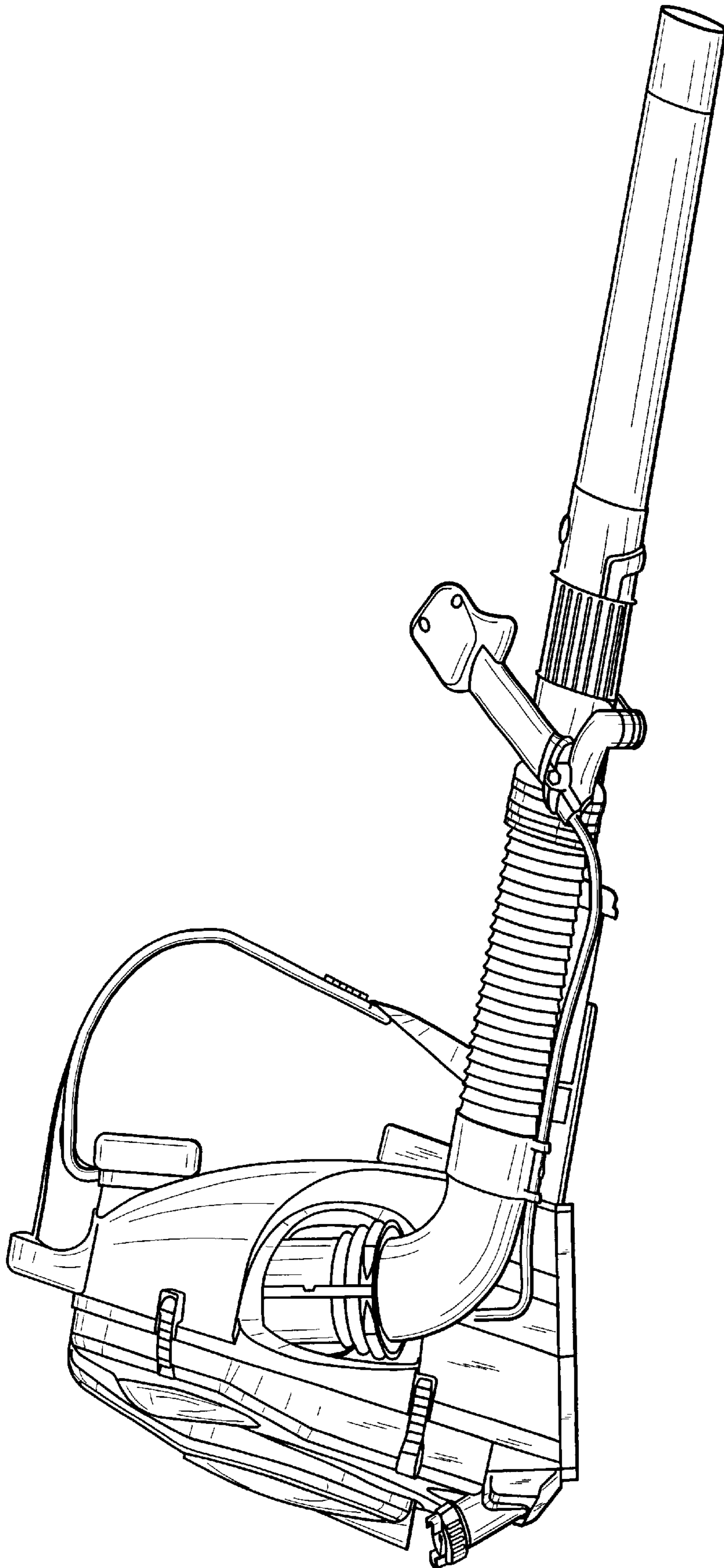


FIG. 6

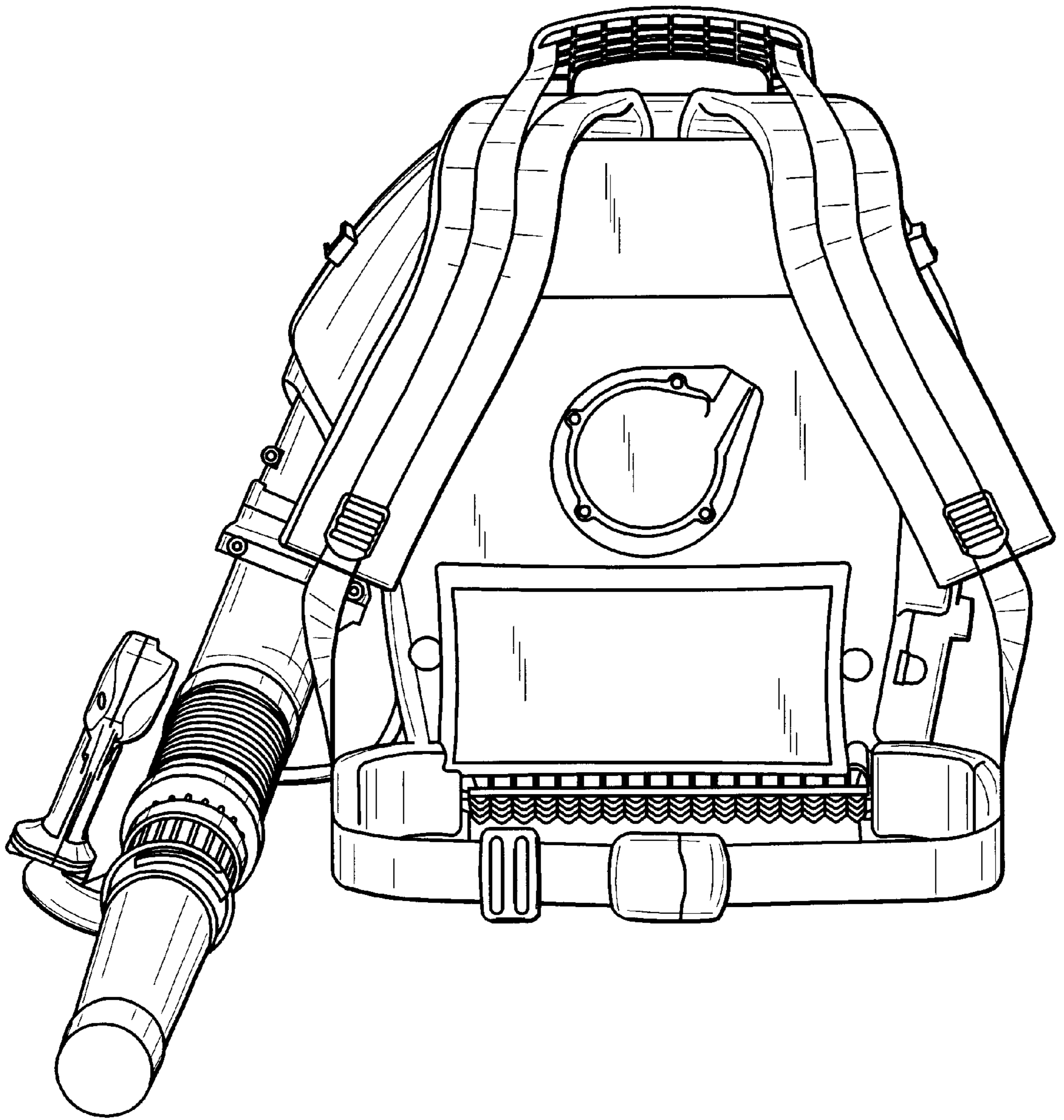


FIG. 7