



US00D481495S

(12) **United States Design Patent**
Gilligan

(10) **Patent No.:** **US D481,495 S**

(45) **Date of Patent:** **** Oct. 28, 2003**

(54) **BASEBALL GLOVE WEB**

(75) **Inventor:** **Lawrence J. Gilligan**, Ringwood, NJ (US)

(73) **Assignee:** **Akadema, Inc.**, Garfield, NJ (US)

(**) **Term:** **14 Years**

(21) **Appl. No.:** **29/172,260**

(22) **Filed:** **Dec. 9, 2002**

(51) **LOC (7) Cl.** **29-02**

(52) **U.S. Cl.** **D29/115**

(58) **Field of Search** D29/113, 115,
D29/123; 2/16, 19, 20

5,694,641 A 12/1997 Doi et al.
5,706,519 A 1/1998 Cooper
6,347,402 B1 * 2/2002 Aoki 2/19
6,430,745 B2 * 8/2002 Murai 2/19

* cited by examiner

Primary Examiner—Louis S. Zarfaz
Assistant Examiner—Robert A Delehanty
(74) *Attorney, Agent, or Firm*—Kaplan & Gilman, L.L.P.;
Michael R. Gilman

(57) **CLAIM**

The ornamental design for a baseball glove web, as shown and described.

DESCRIPTION

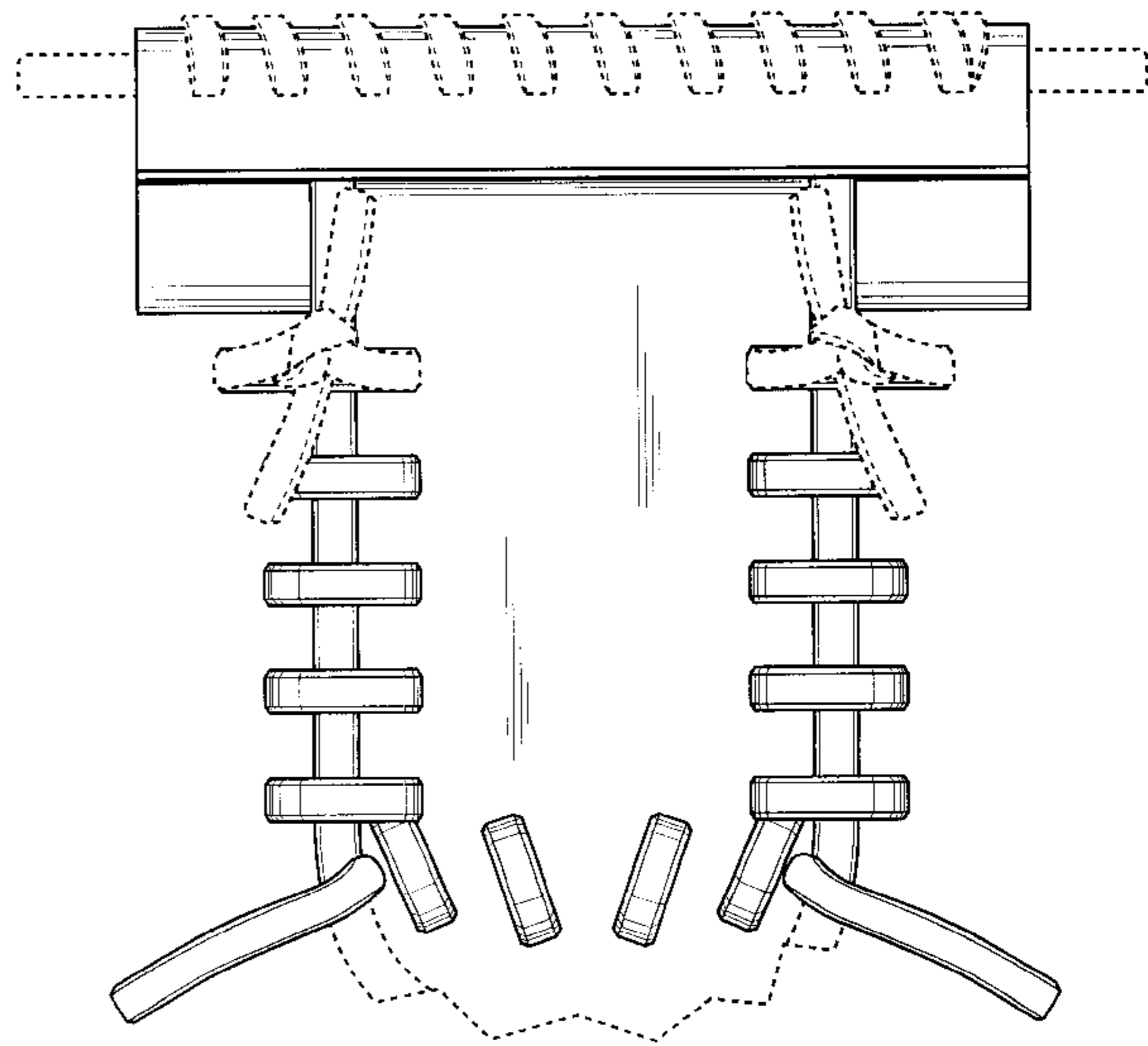
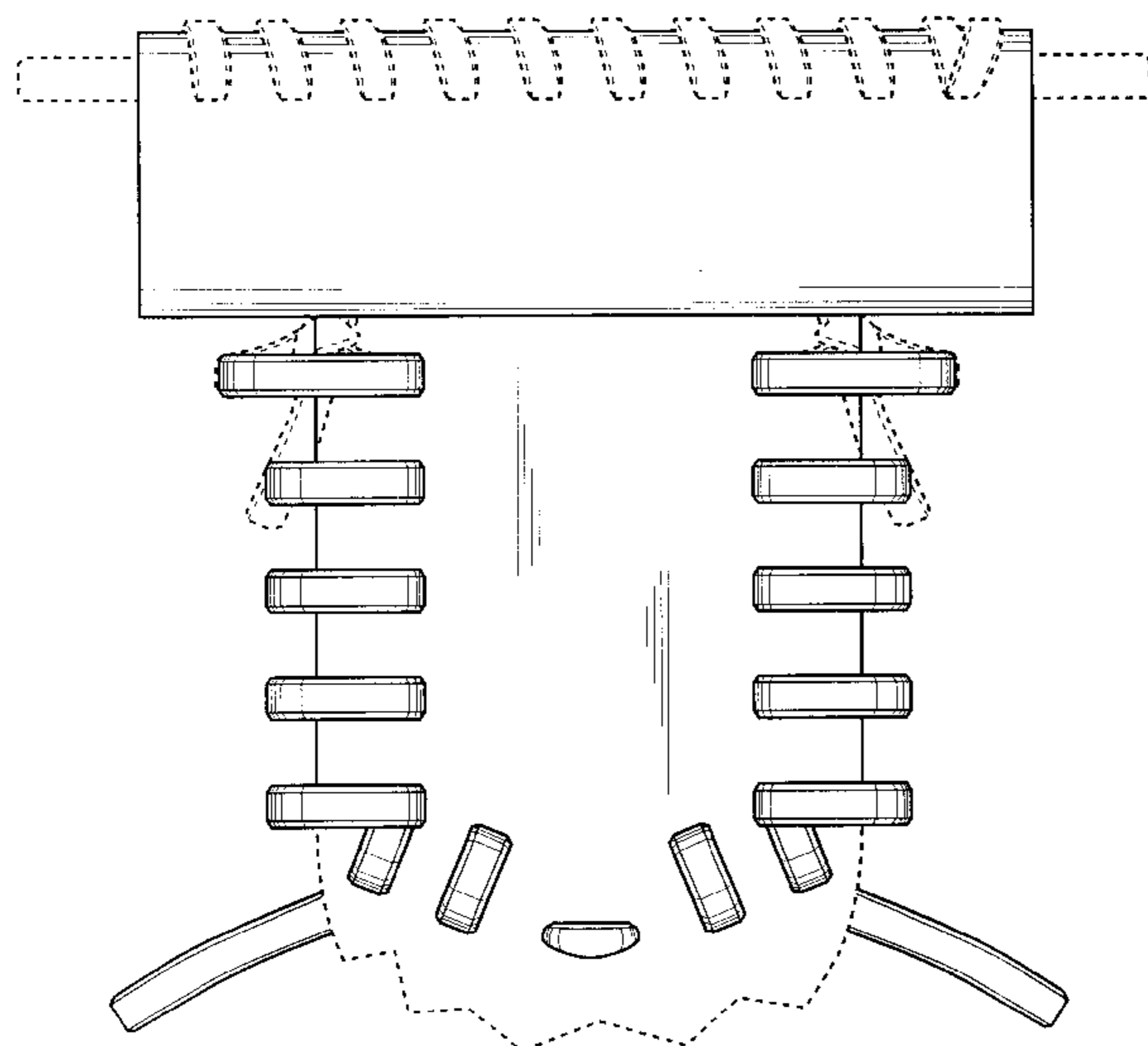
FIG. 1 is a front perspective view of the baseball glove web of the present invention, the portions shown in dashed lines forming no part of the invention;
FIG. 2 is a front elevational view of the baseball glove web of the invention, illustrated apart from the glove body and in flattened configuration;
FIG. 3 is a rear elevational view of the baseball glove web of FIG. 2;
FIG. 4 is a right side elevational view of the baseball glove web of FIG. 2;
FIG. 5 is a left side elevational view of the baseball glove web of FIG. 2;
FIG. 6 is a top plan view of the baseball glove web of FIG. 2; and,
FIG. 7 is a bottom plan view of the baseball glove web of FIG. 2.

1 Claim, 4 Drawing Sheets

(56) **References Cited**

U.S. PATENT DOCUMENTS

2,558,544 A	6/1951	Delsalle	
2,625,686 A	6/1953	Latina	
3,051,958 A	9/1962	Latina	
3,098,234 A	7/1963	Latina	
3,169,250 A	2/1965	Heiman	
3,300,787 A	1/1967	Denkert	
4,279,681 A	7/1981	Klimeszky	
4,346,481 A	8/1982	Latina	
4,513,450 A *	4/1985	Aoki	D29/115 X
4,541,126 A *	9/1985	Howard et al.	D29/115 X
4,630,318 A	12/1986	Aoki	
4,847,915 A	7/1989	Keene	
5,379,459 A	1/1995	Williams, Jr.	
5,572,739 A	11/1996	Kolada et al.	
5,678,245 A	10/1997	Rector et al.	
5,687,421 A	11/1997	Murai	



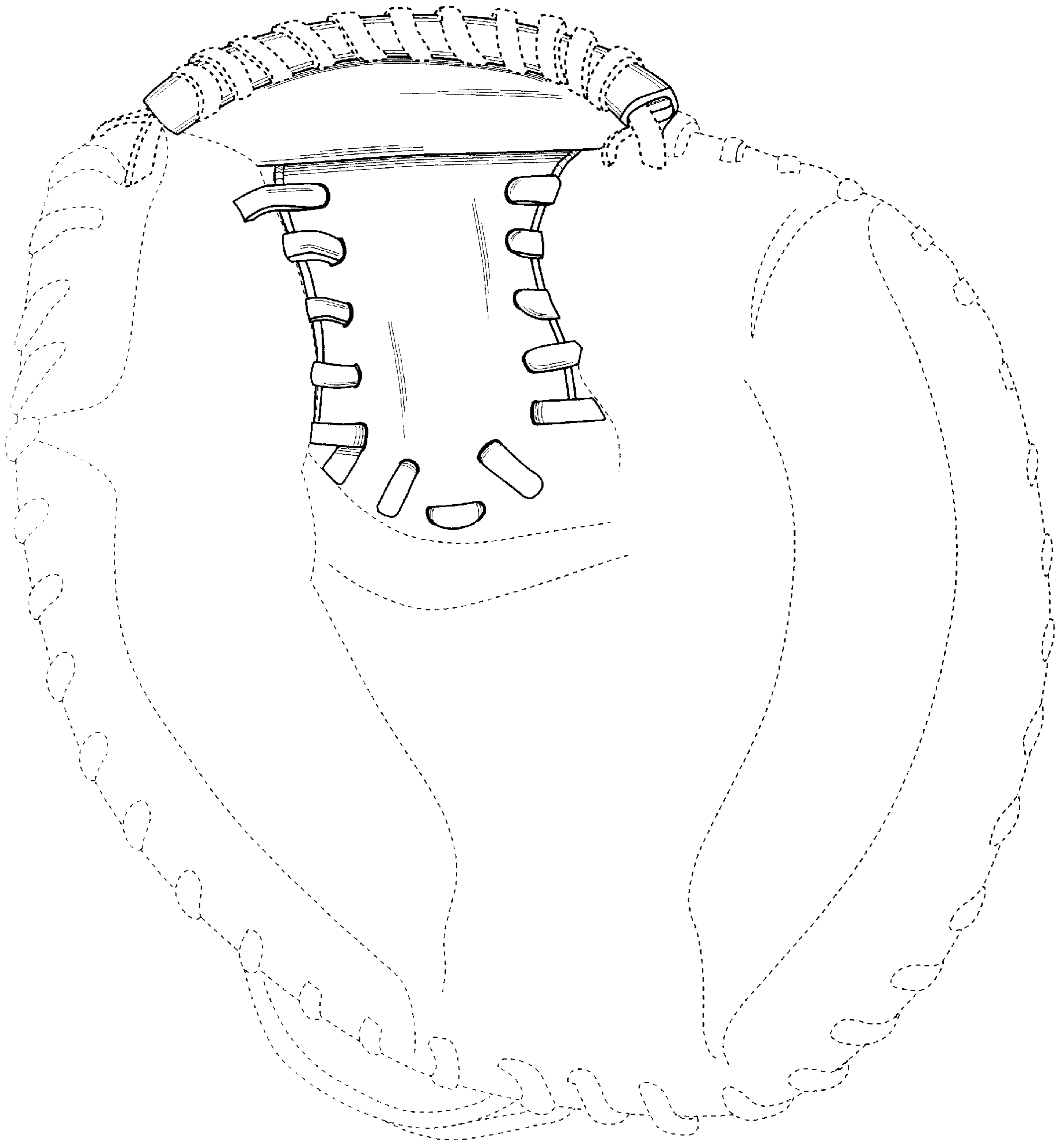


FIG. 1

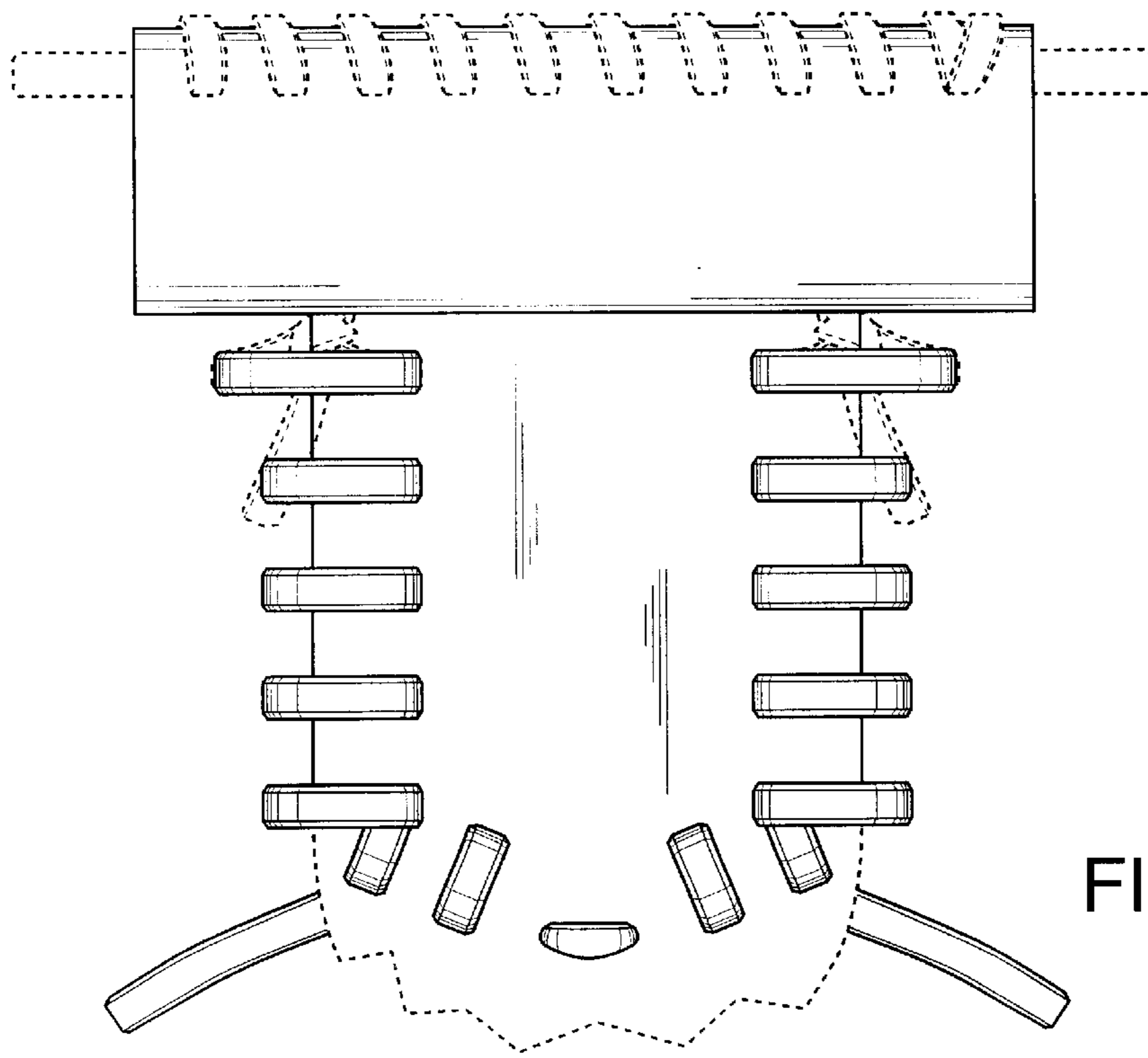


FIG. 2

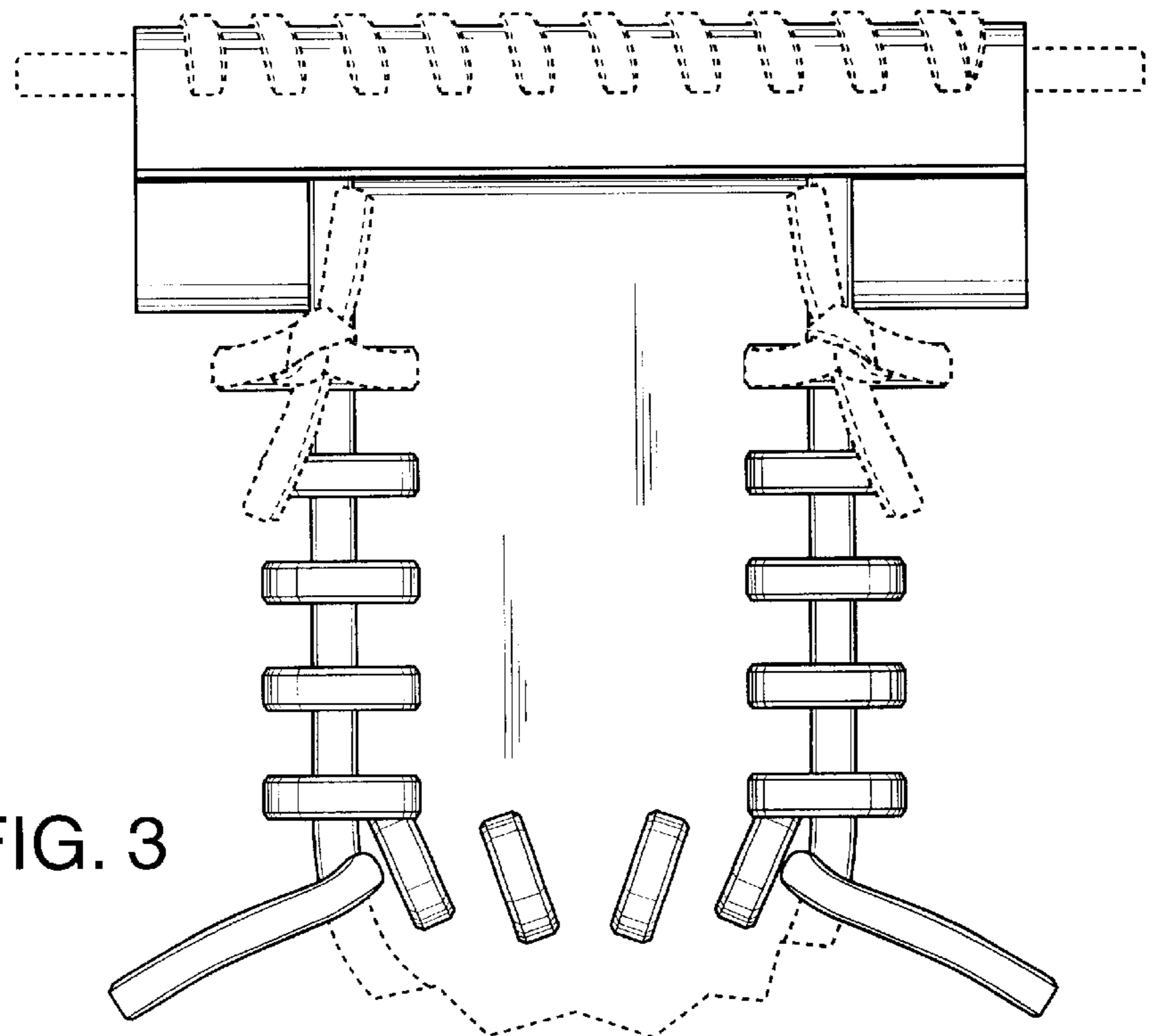


FIG. 3

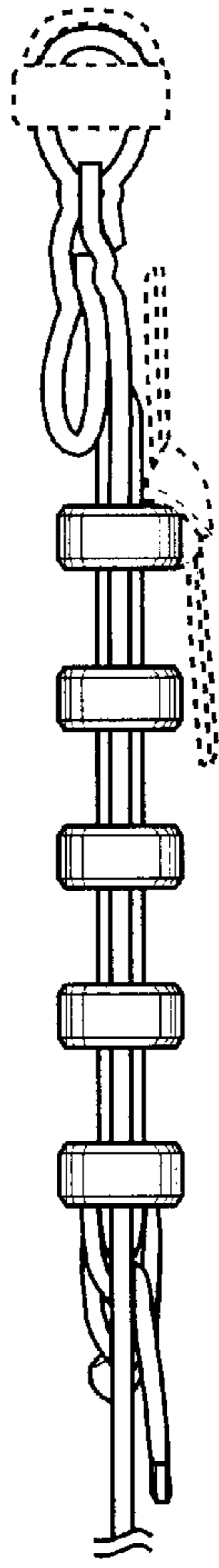


FIG. 4

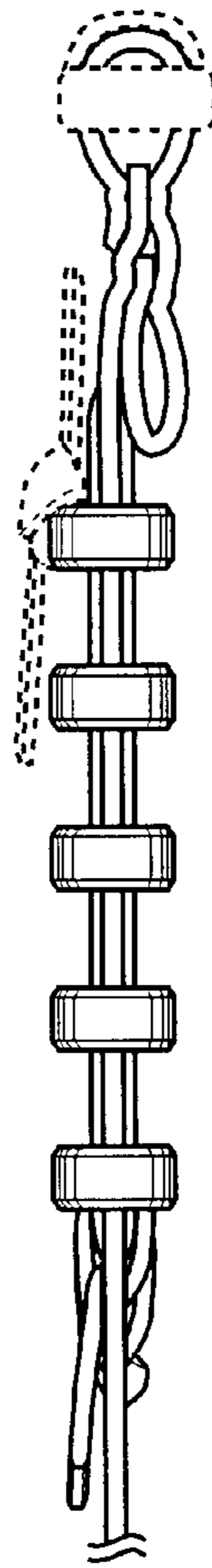


FIG. 5

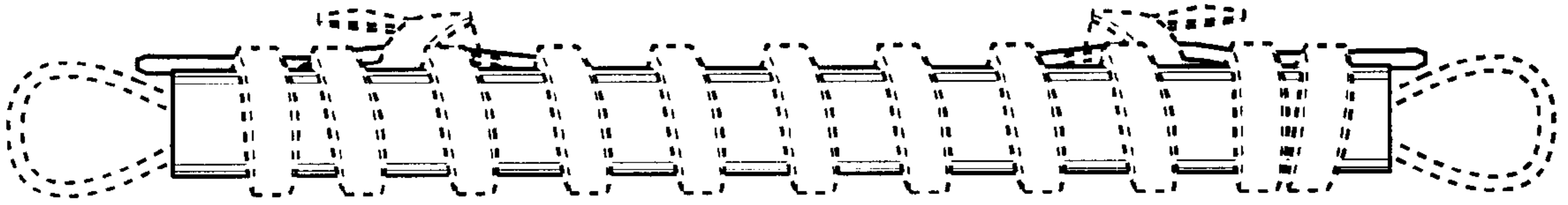


FIG. 6

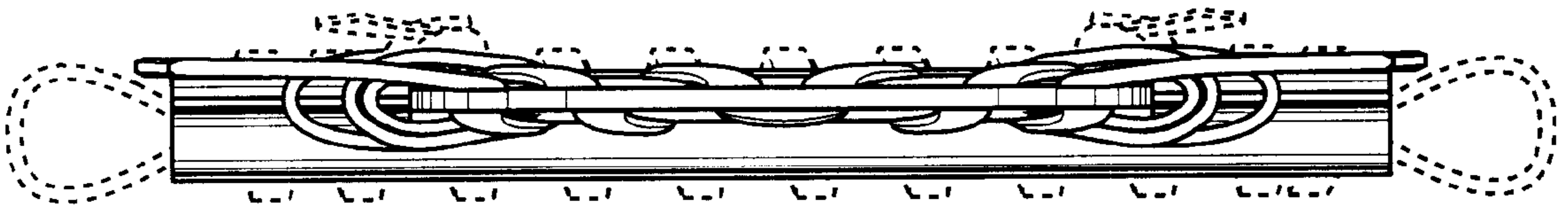


FIG. 7