



US00D481494S

(12) **United States Design Patent**
Ho

(10) **Patent No.:** **US D481,494 S**

(45) **Date of Patent:** **** Oct. 28, 2003**

(54) **SAFETY HELMET**

(76) Inventor: **Chang-Hsien Ho**, 10F, No. 27, Lane
40, Yu-Ming 1st Rd., Pei-Tou Dist.,
Taipei (TW)

(**) Term: **14 Years**

(21) Appl. No.: **29/169,827**

(22) Filed: **Oct. 28, 2002**

(51) **LOC (7) Cl.** **29-02**

(52) **U.S. Cl.** **D29/104**

(58) **Field of Search** D29/102, 104-107,
D29/112, 122; 2/6.6, 410-411, 414, 417,
421, 422-425; D2/865, 882, 886

(56) **References Cited**

U.S. PATENT DOCUMENTS

D205,990 S	*	10/1966	Raschke	D29/104
D206,479 S	*	12/1966	Raschke	D29/104
D206,480 S	*	12/1966	Raschke	D29/104
D218,385 S	*	8/1970	Bohner et al.	D29/104

D300,275 S * 3/1989 Sjogren et al. D29/104

D354,376 S * 1/1995 Kun D29/104

D370,308 S * 5/1996 Nilsson D29/102

* cited by examiner

Primary Examiner—Ruth McInroy

(74) *Attorney, Agent, or Firm*—Troxell Law Office PLLC

(57) **CLAIM**

The ornamental design for a safety helmet, as shown and described.

DESCRIPTION

FIG. 1 is a front side perspective view of a safety helmet showing our new design;

FIG. 2 is a rear side perspective view thereof;

FIG. 3 is a front elevational view thereof;

FIG. 4 is a rear elevational view thereof;

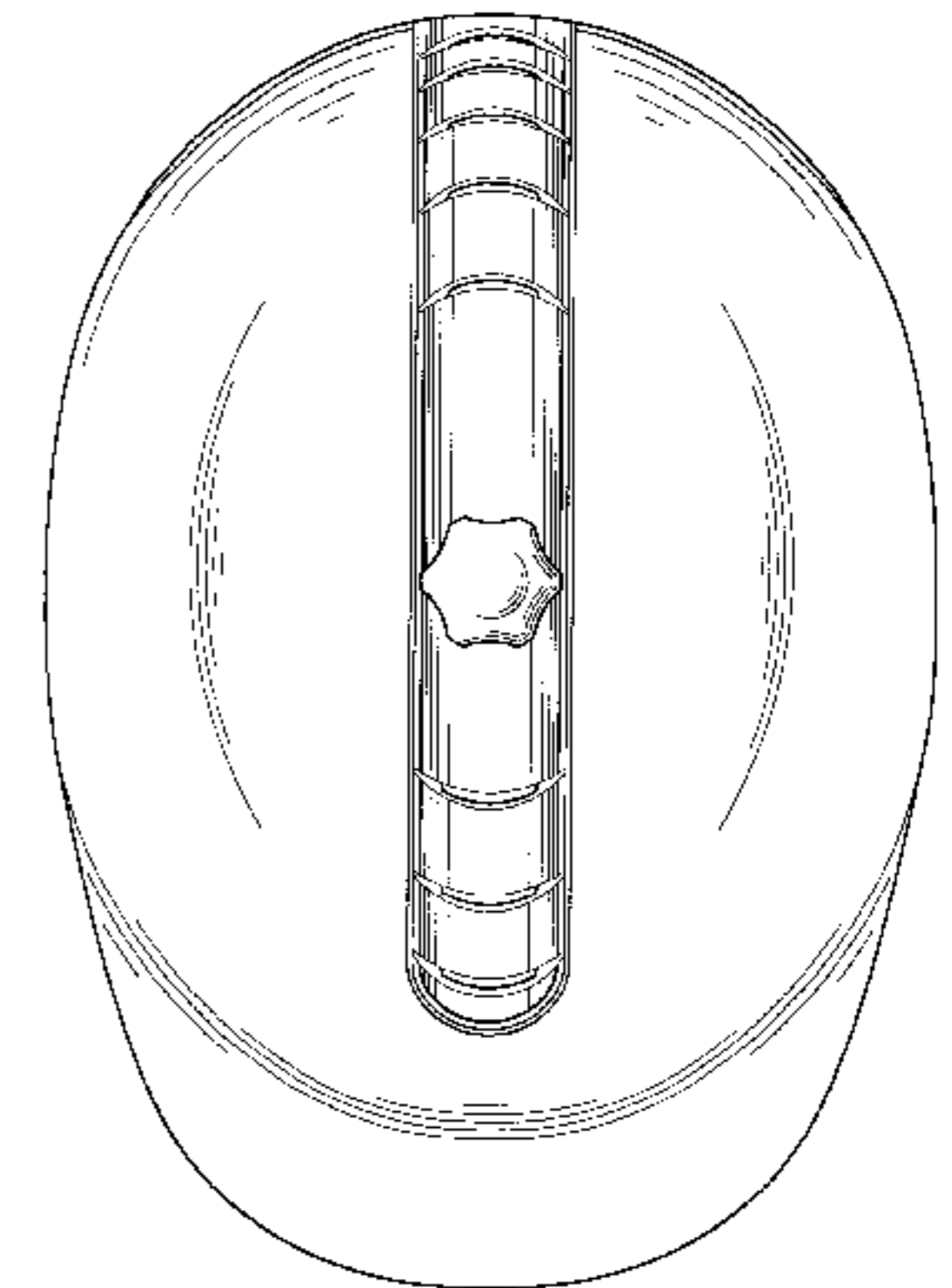
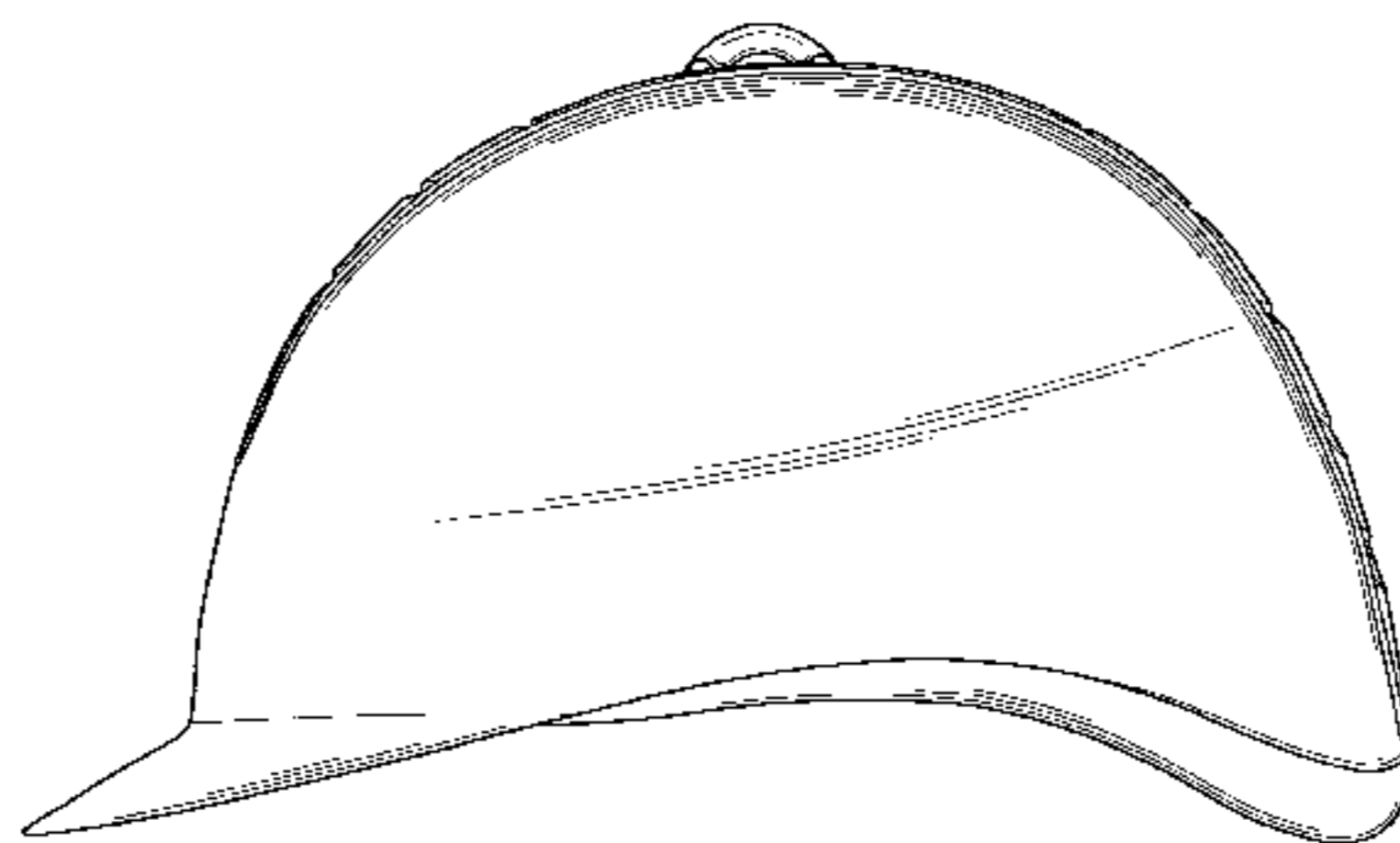
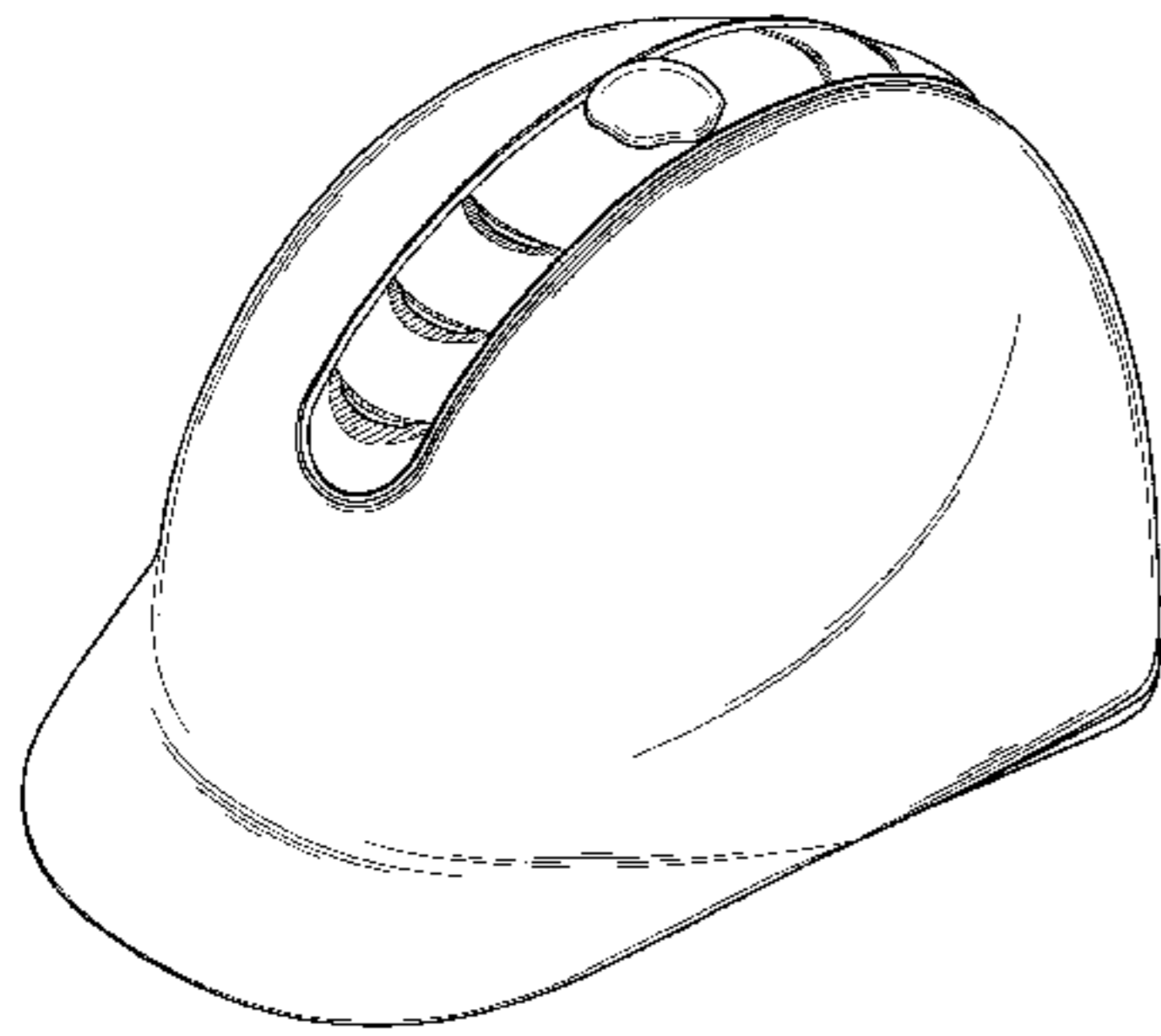
FIG. 5 is a left side elevational view thereof;

FIG. 6 is a right side elevational view thereof;

FIG. 7 is a top view thereof; and,

FIG. 8 is a bottom view thereof.

1 Claim, 8 Drawing Sheets



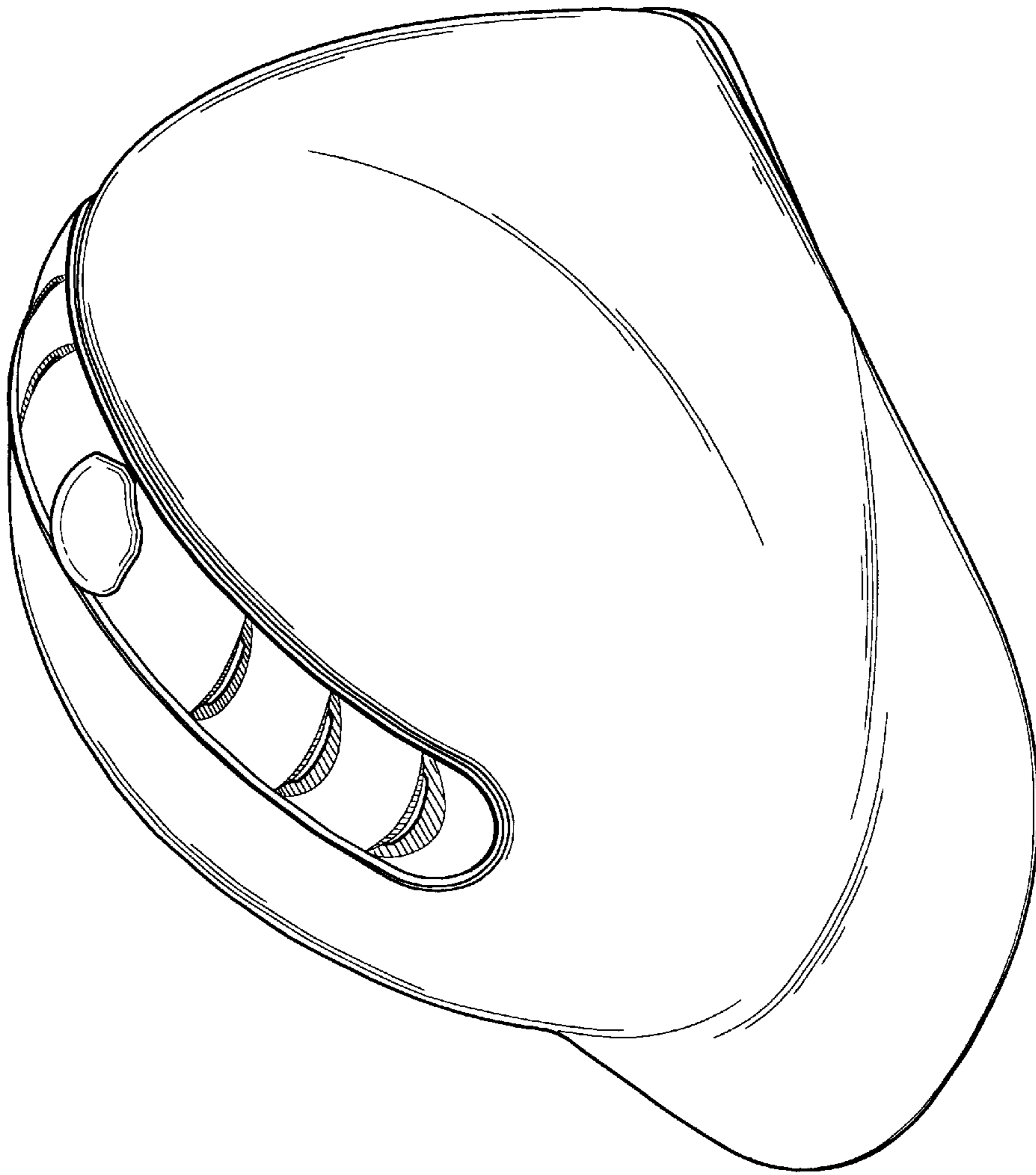


Fig. 1

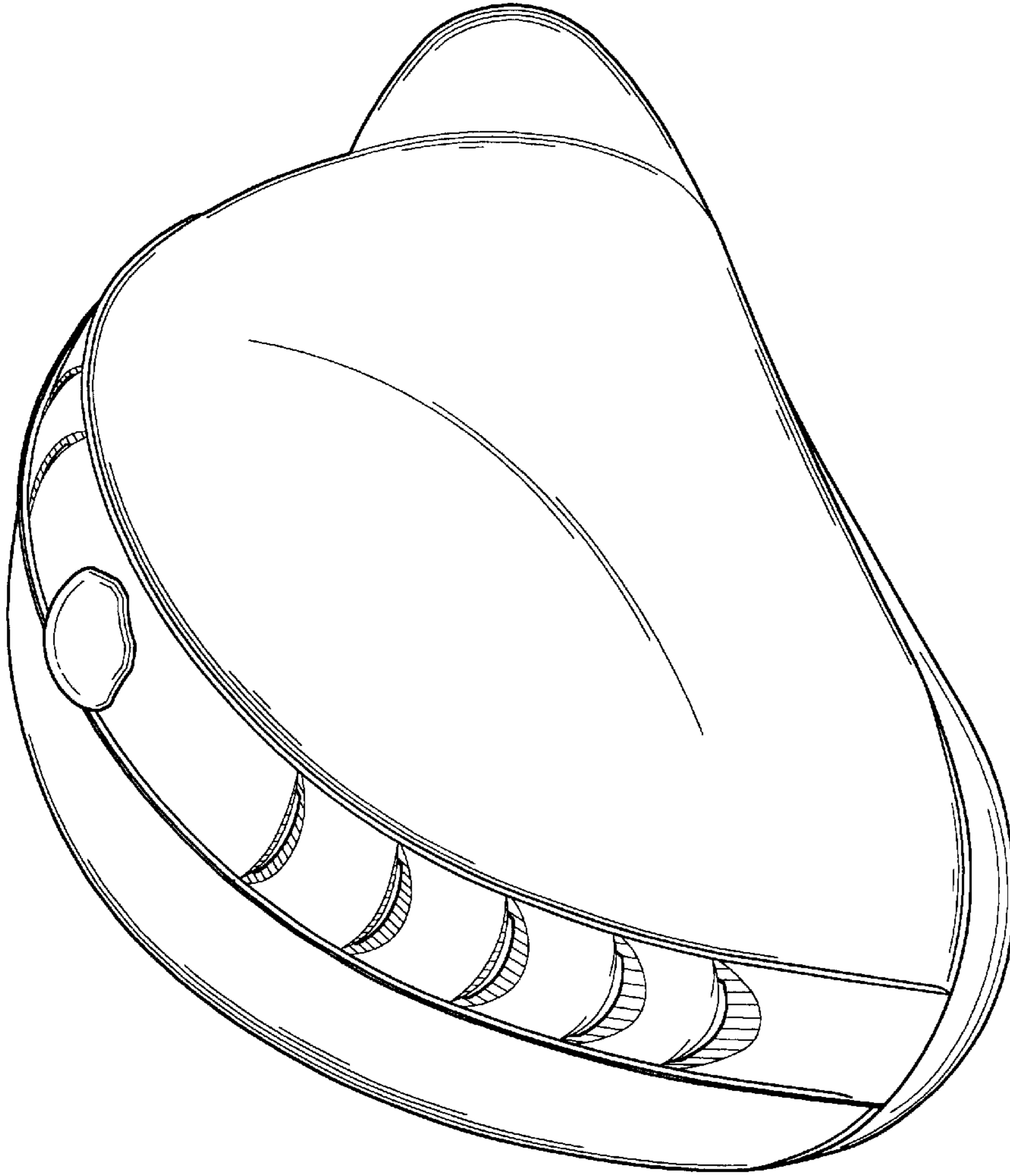


Fig. 2

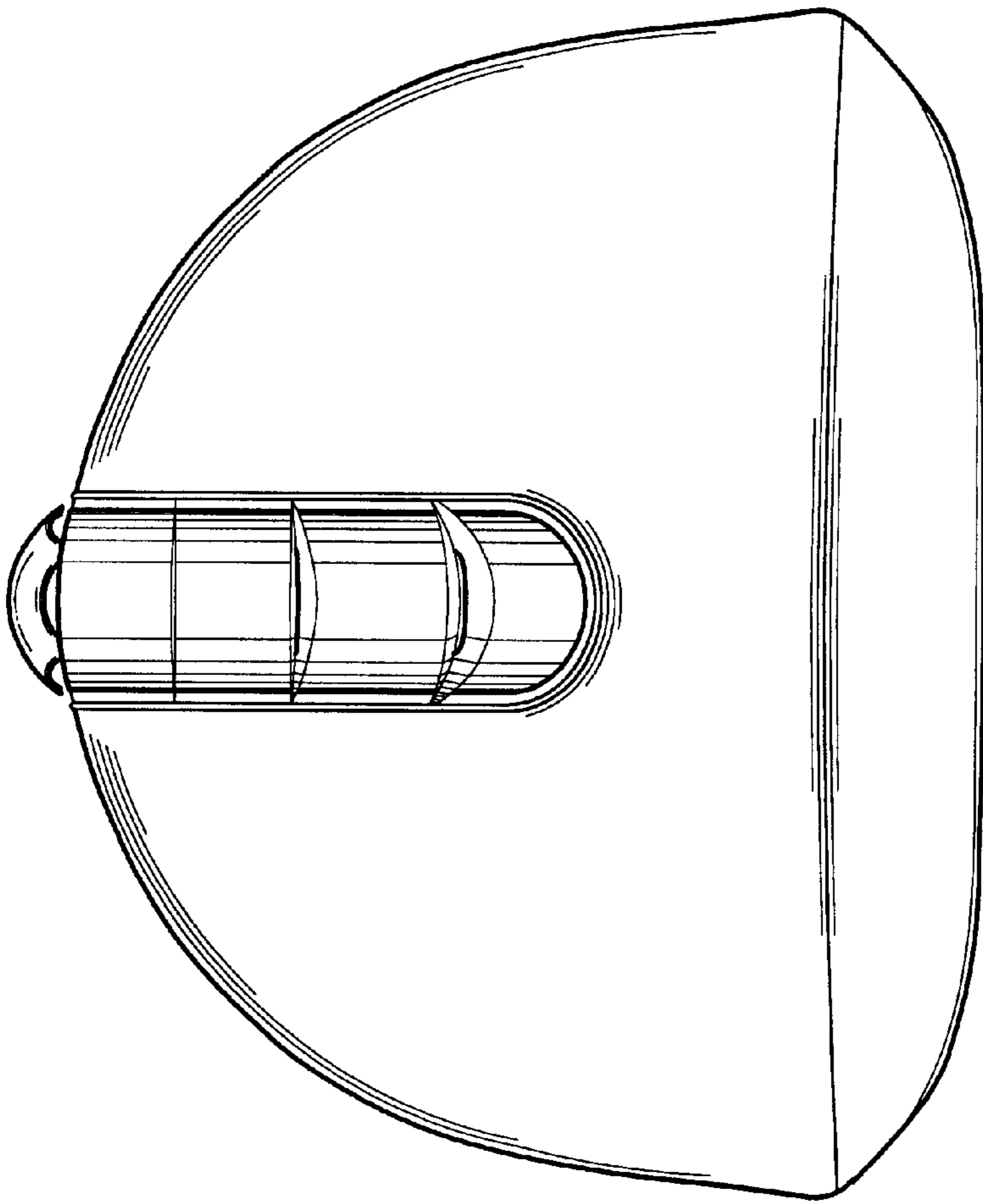


Fig. 3

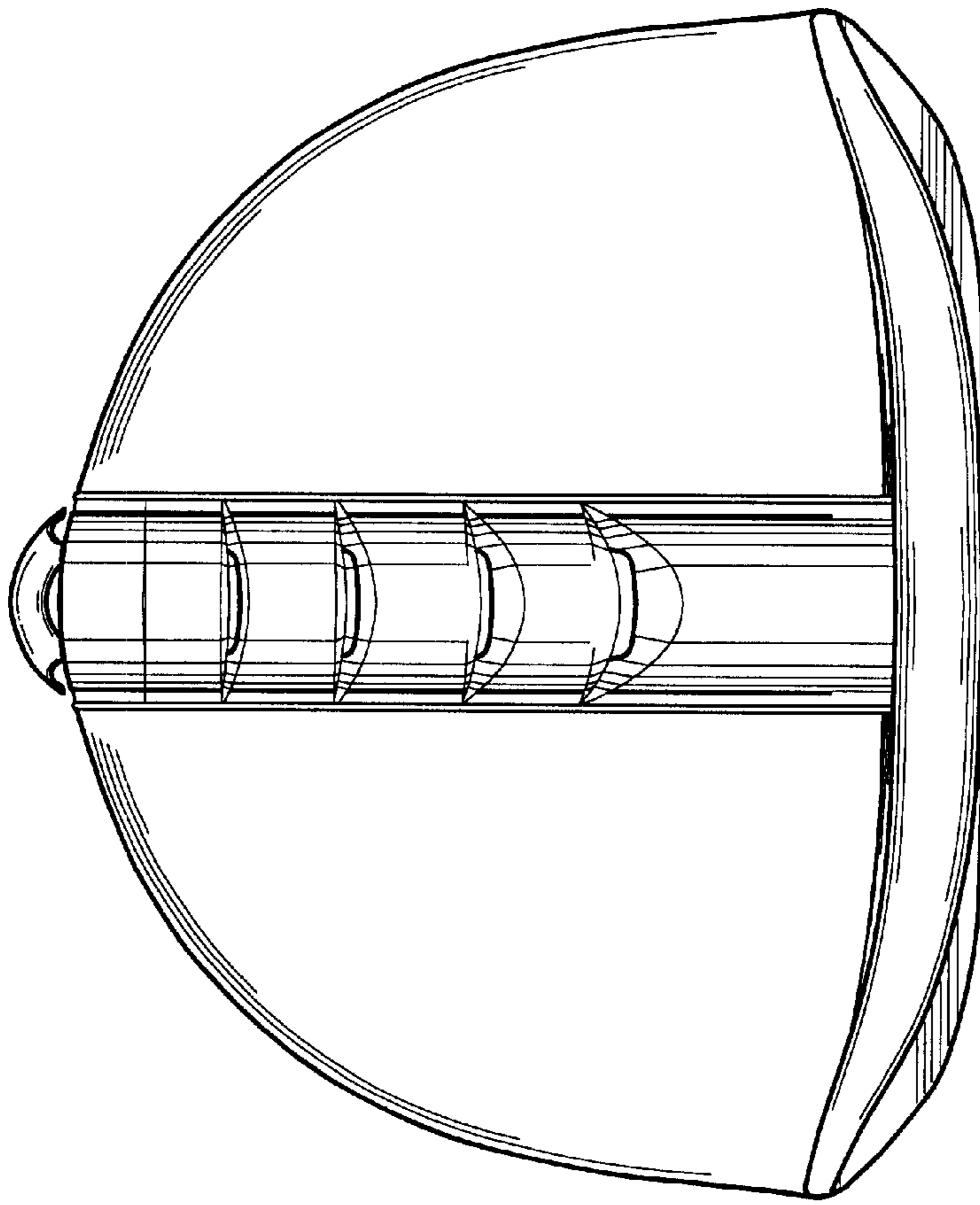


Fig. 4



Fig. 5

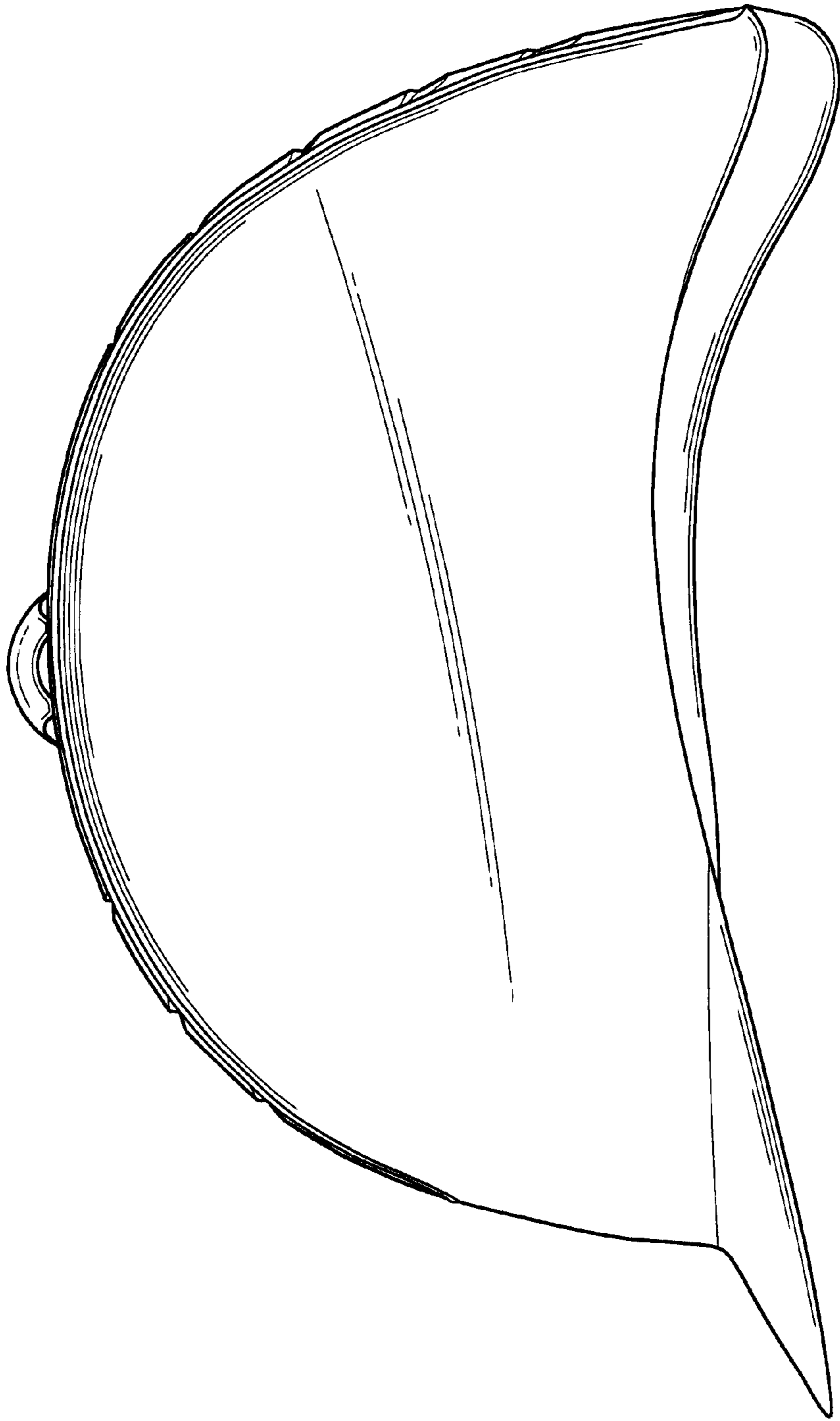


Fig. 6

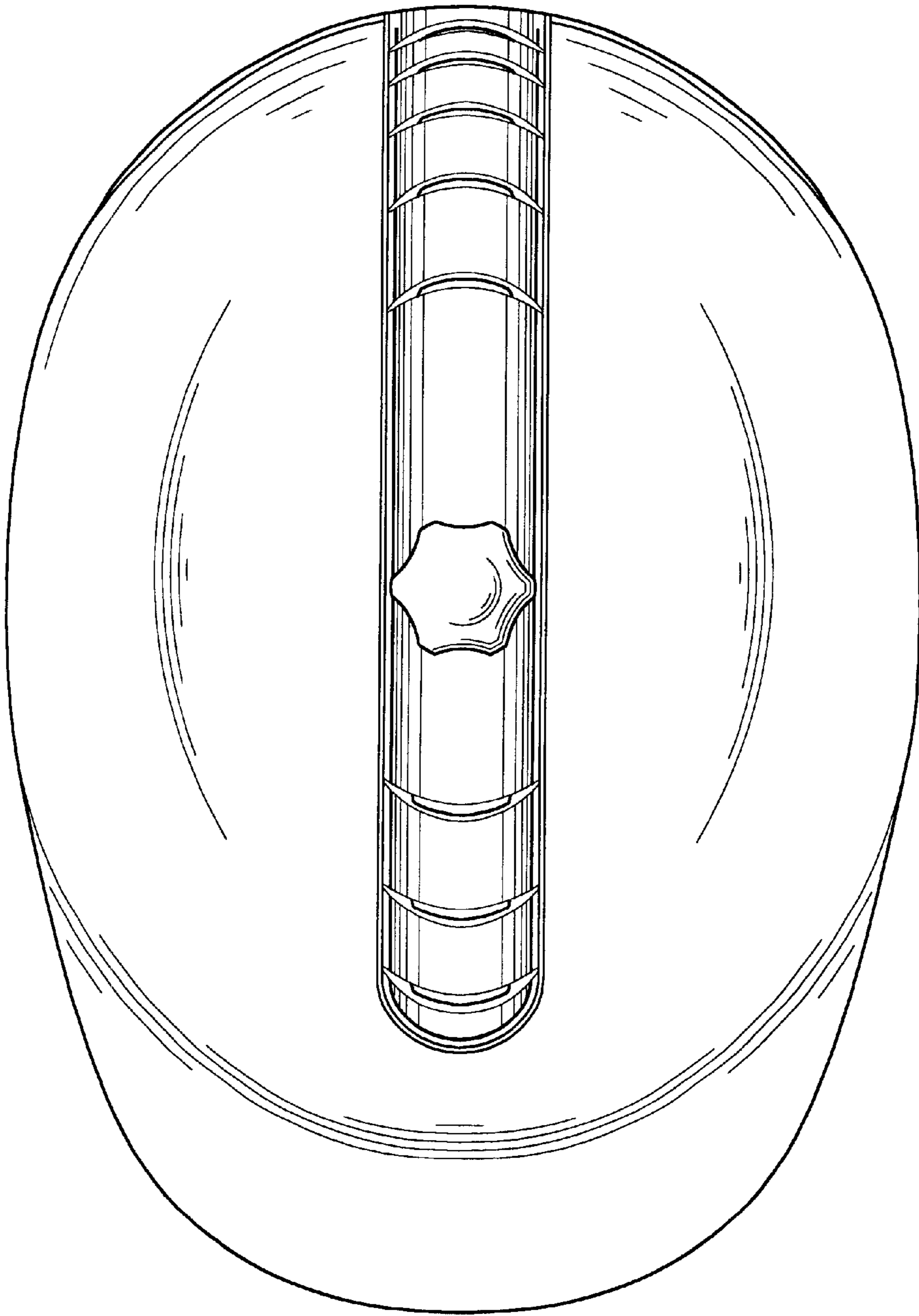


Fig. 7

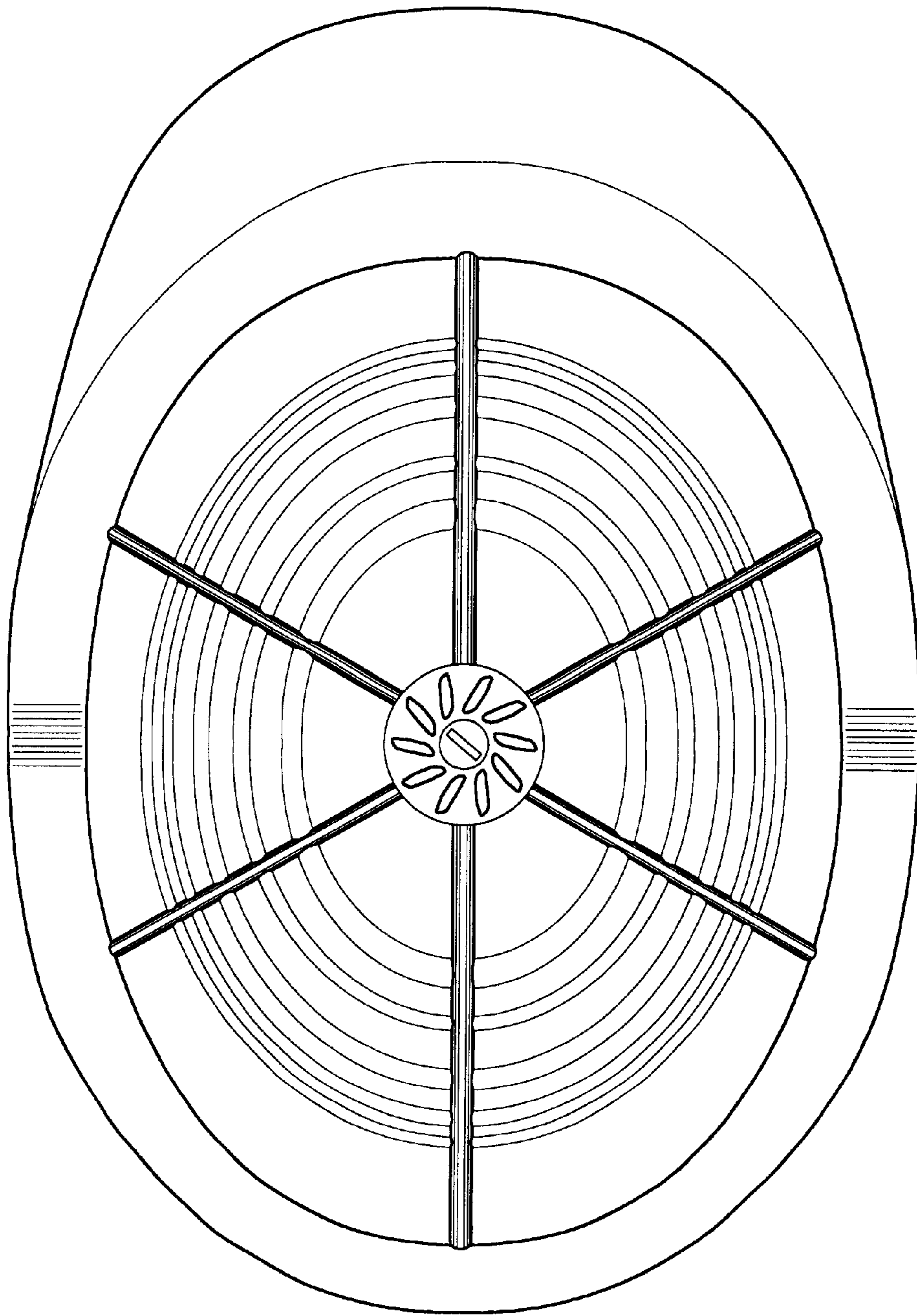


Fig. 8