



US00D481493S

(12) **United States Design Patent**
Chen

(10) **Patent No.:** **US D481,493 S**

(45) **Date of Patent:** **** Oct. 28, 2003**

(54) **COSMETIC KIT**

(76) **Inventor:** **Jui-Tung Chen**, No. 2, Ting-Chu-Wei,
Huwei Chen, Yunlin Hsien (TW)

(**) **Term:** **14 Years**

(21) **Appl. No.:** **29/166,206**

(22) **Filed:** **Aug. 16, 2002**

(51) **LOC (7) Cl.** **28-03**

(52) **U.S. Cl.** **D28/73; D28/61; D28/64.3;**
D28/77; D28/82

(58) **Field of Search** **D28/73, 76, 77,**
D28/82, 64.1, 64.3; D26/51, 56; 132/286-318;
206/235, 581, 823; 220/DIG. 26; 362/136,
137

(56) **References Cited**

U.S. PATENT DOCUMENTS

2,258,542	A	*	10/1941	Cressaty	362/137
D137,166	S	*	2/1944	Crane	D28/82
D145,156	S	*	7/1946	Consiglio	D27/174
3,949,767	A	*	4/1976	Rose	132/301
4,132,306	A	*	1/1979	Margolin	D28/82 X
D257,800	S	*	1/1981	Pedersen	D3/275
D281,024	S	*	10/1985	Rittenhouse et al.	D28/38
D285,371	S	*	8/1986	Tong	D28/78

D331,818	S	*	12/1992	Holahan et al.	D28/82
5,363,969	A	*	11/1994	Shen	206/581
D439,376	S	*	3/2001	Lerolle	D28/82

FOREIGN PATENT DOCUMENTS

WO DM/057702 * 7/2001

* cited by examiner

Primary Examiner—Philip S. Hyder

Assistant Examiner—C Tuttle

(74) *Attorney, Agent, or Firm*—Rabin & Berdo, P.C.

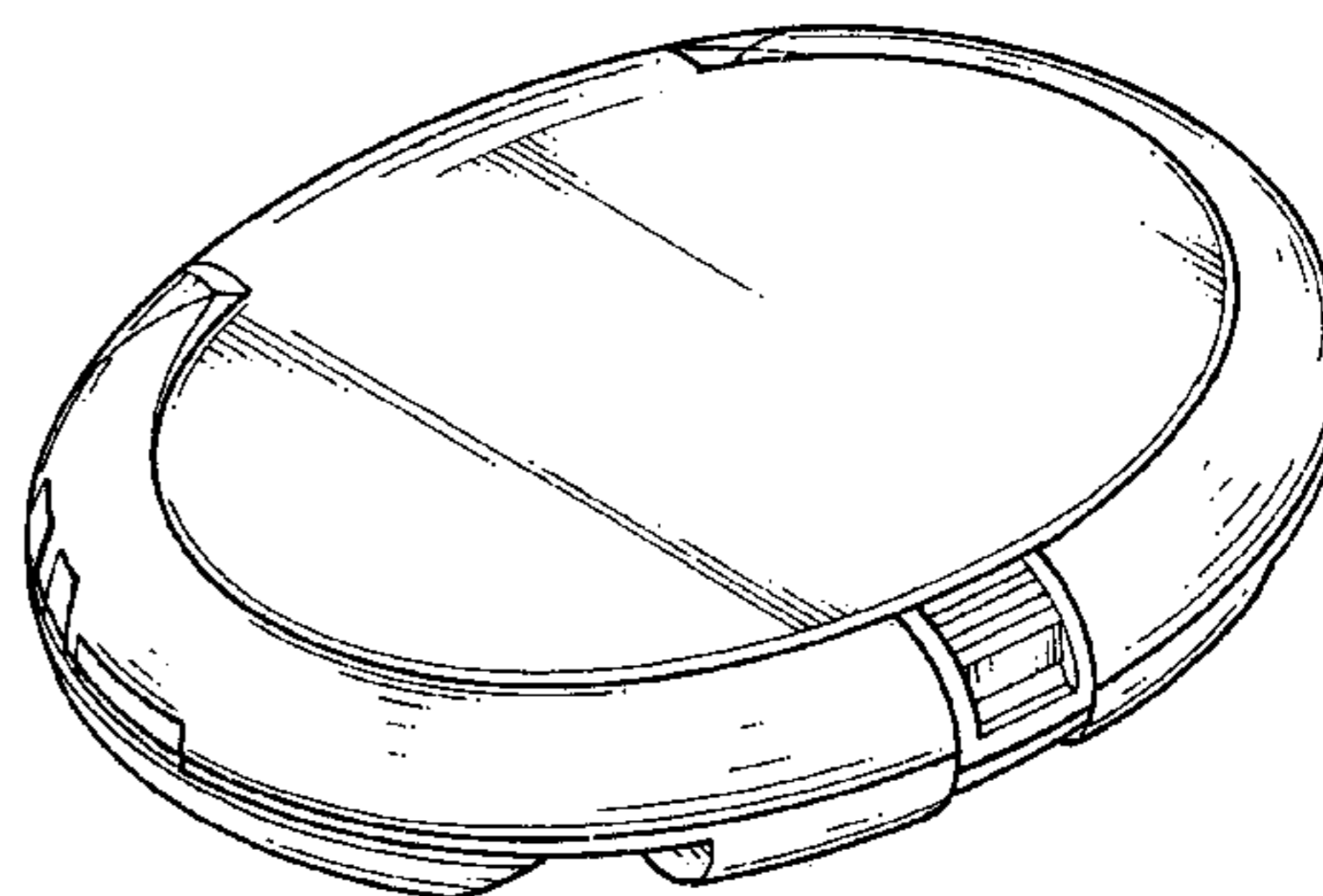
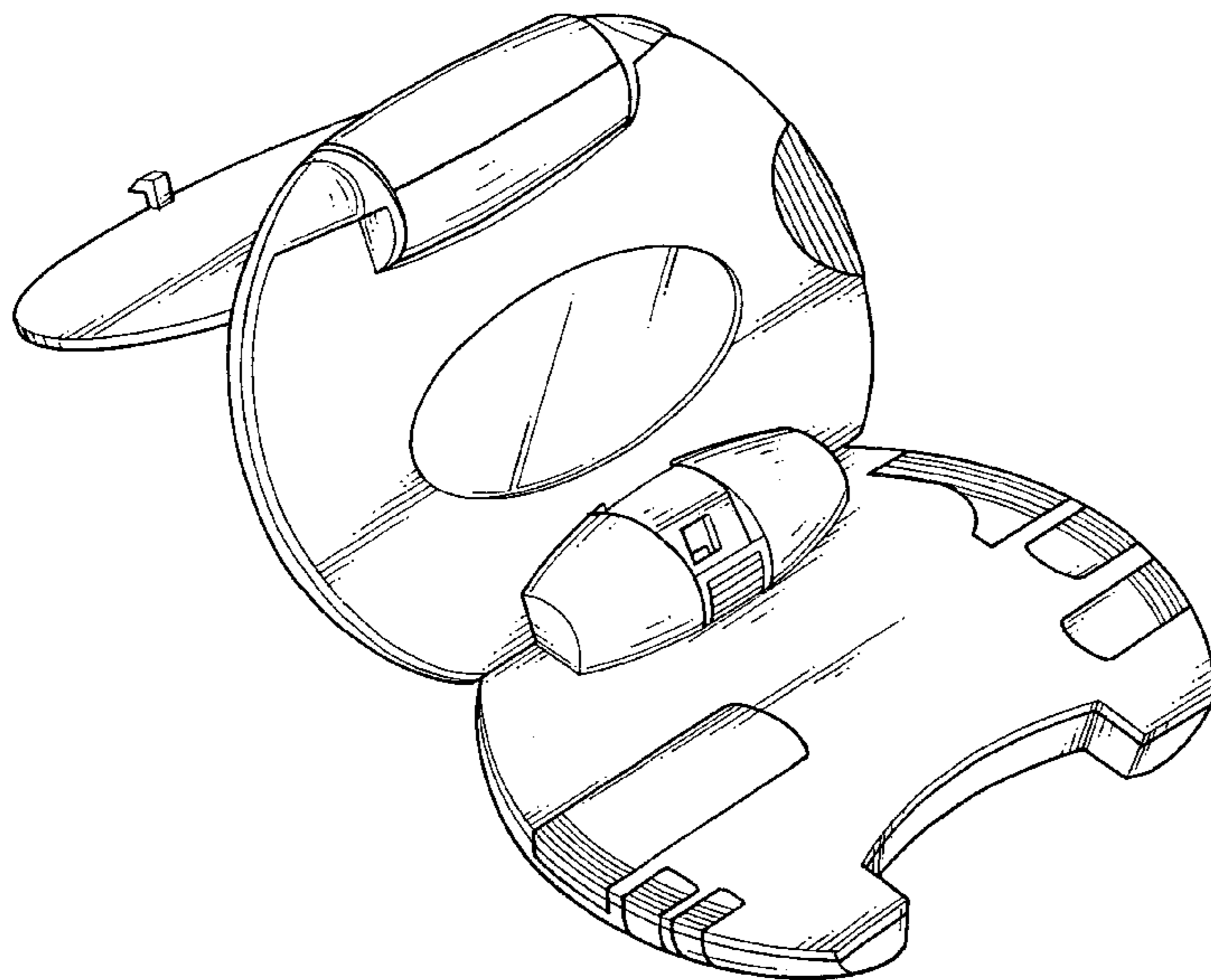
(57) **CLAIM**

The ornamental design for a cosmetic kit, as shown and described.

DESCRIPTION

FIG. 1 is a top, front and left side perspective view of a cosmetic kit, showing my new design in the open position; FIG. 2 is a front view thereof; FIG. 3 is a rear view thereof; FIG. 4 is a left side view thereof; FIG. 5 is a right side view thereof; FIG. 6 is a top plan view thereof; FIG. 7 is a bottom plan view thereof; and, FIG. 8 is a perspective view thereof in a closed condition.

1 Claim, 5 Drawing Sheets



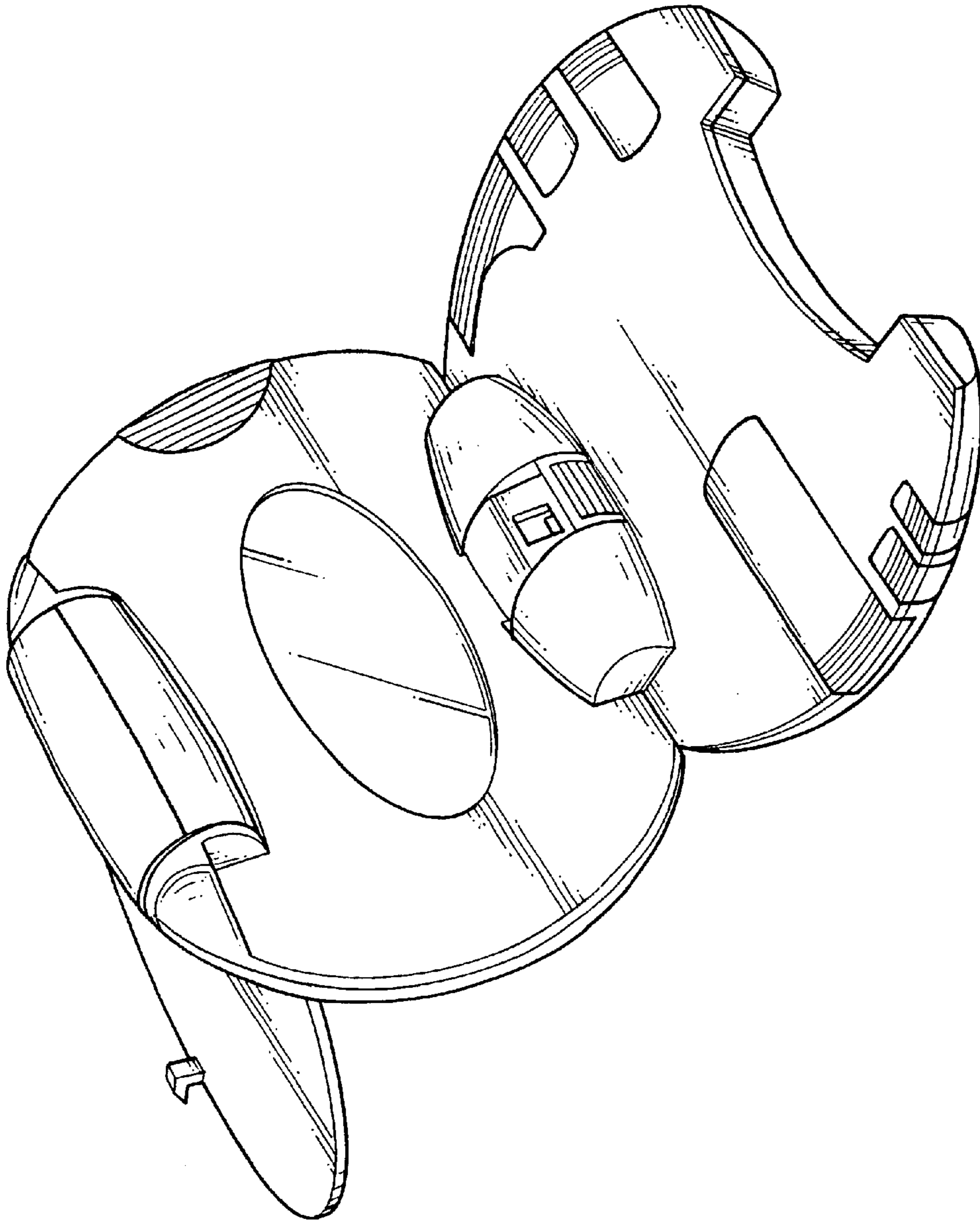


FIG.1

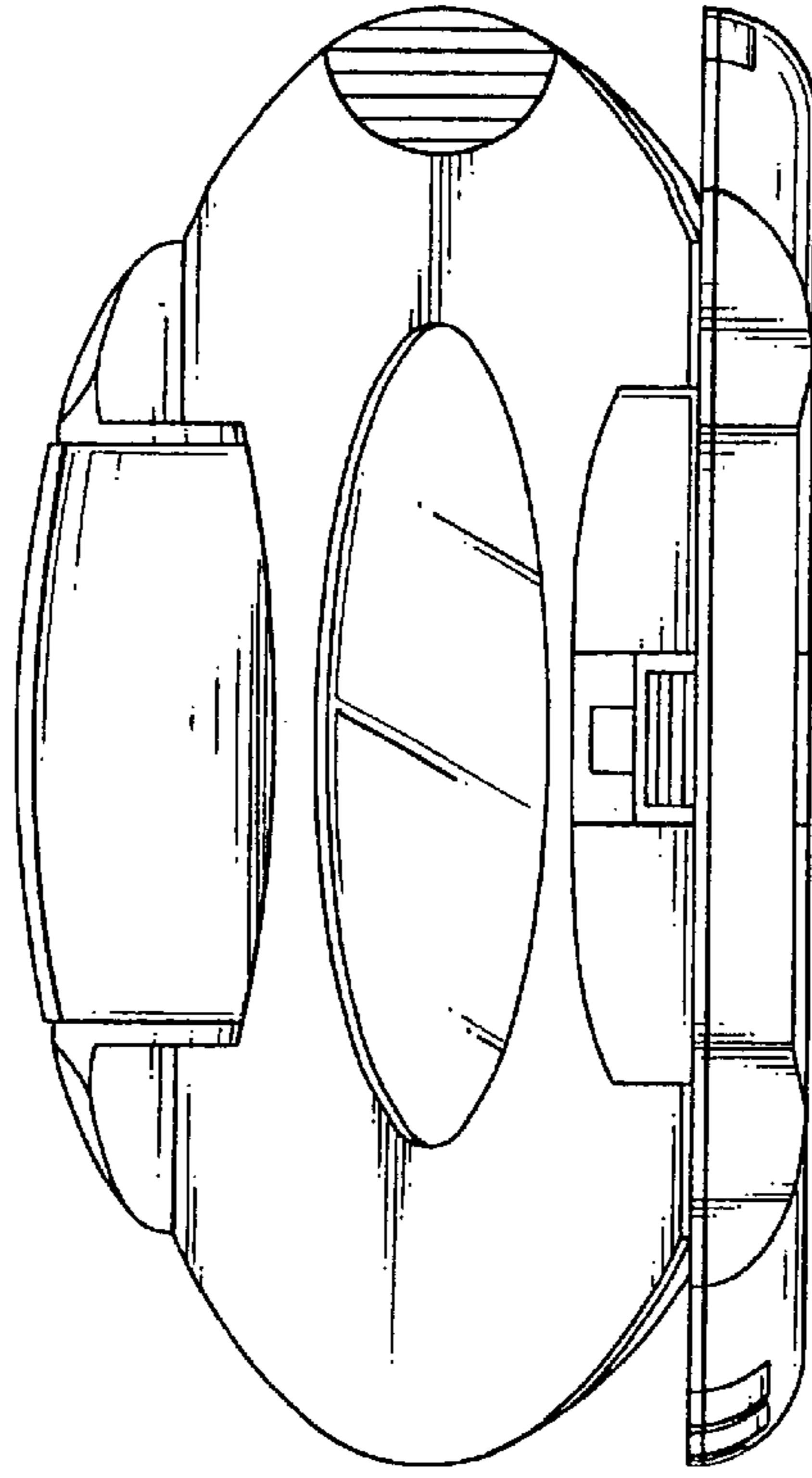


FIG. 2

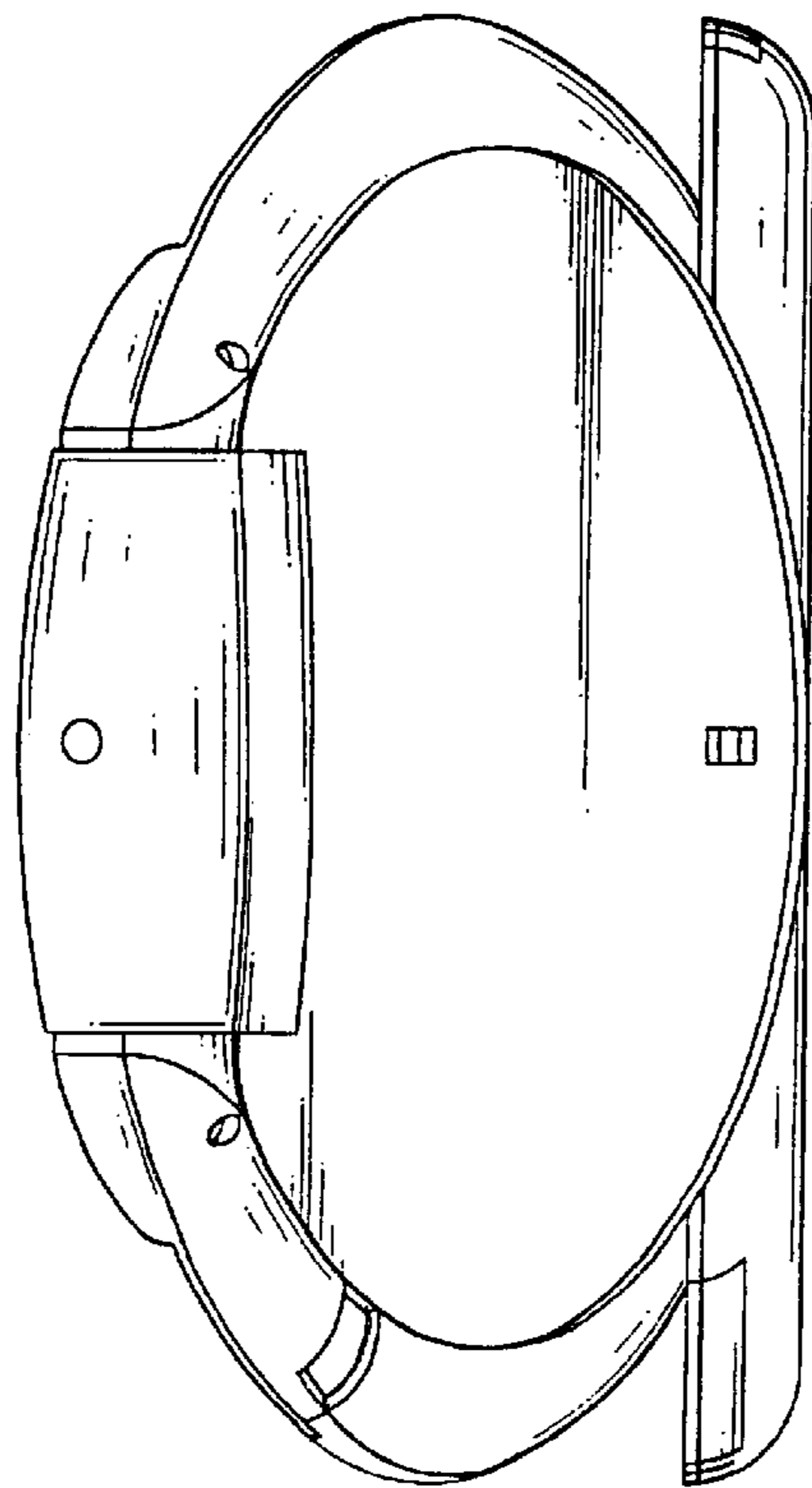


FIG. 3

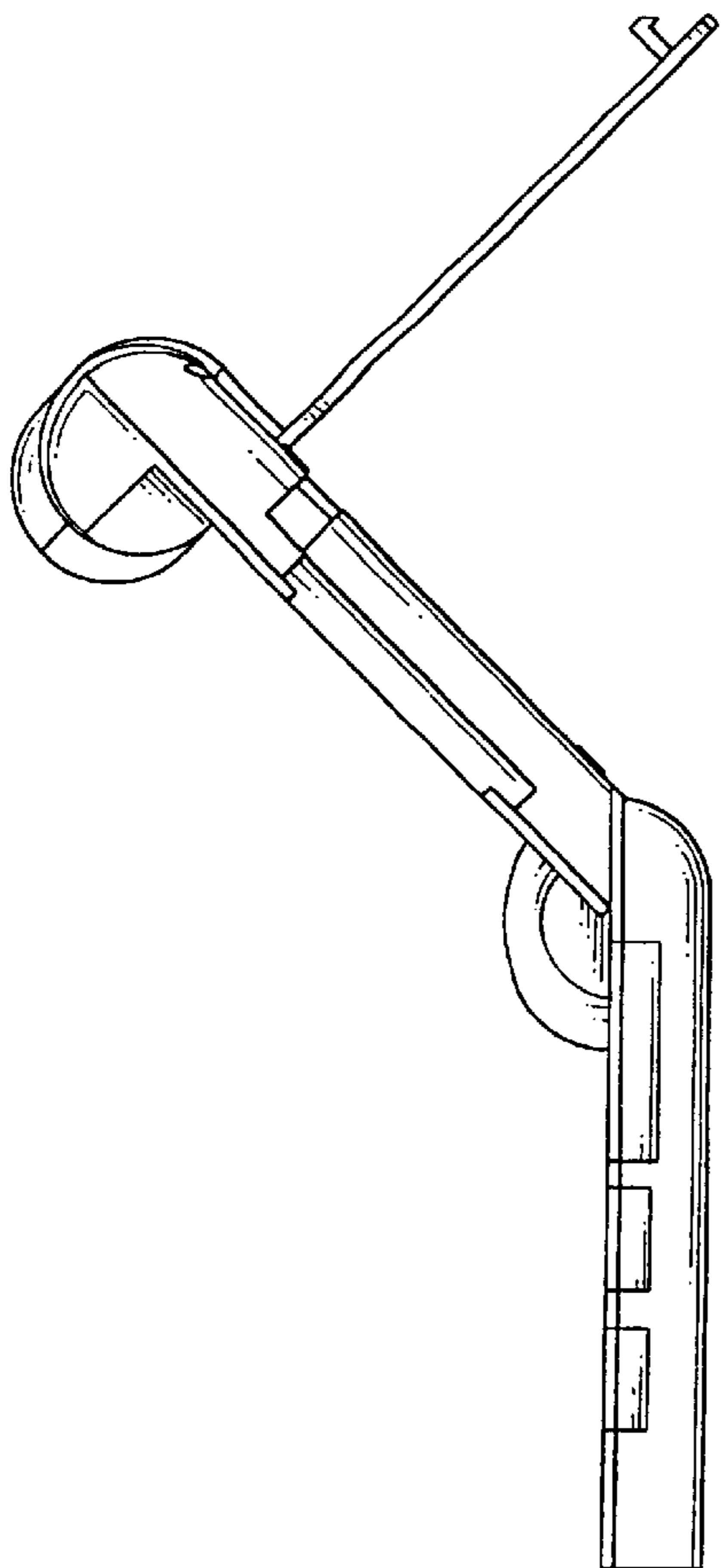


FIG. 5

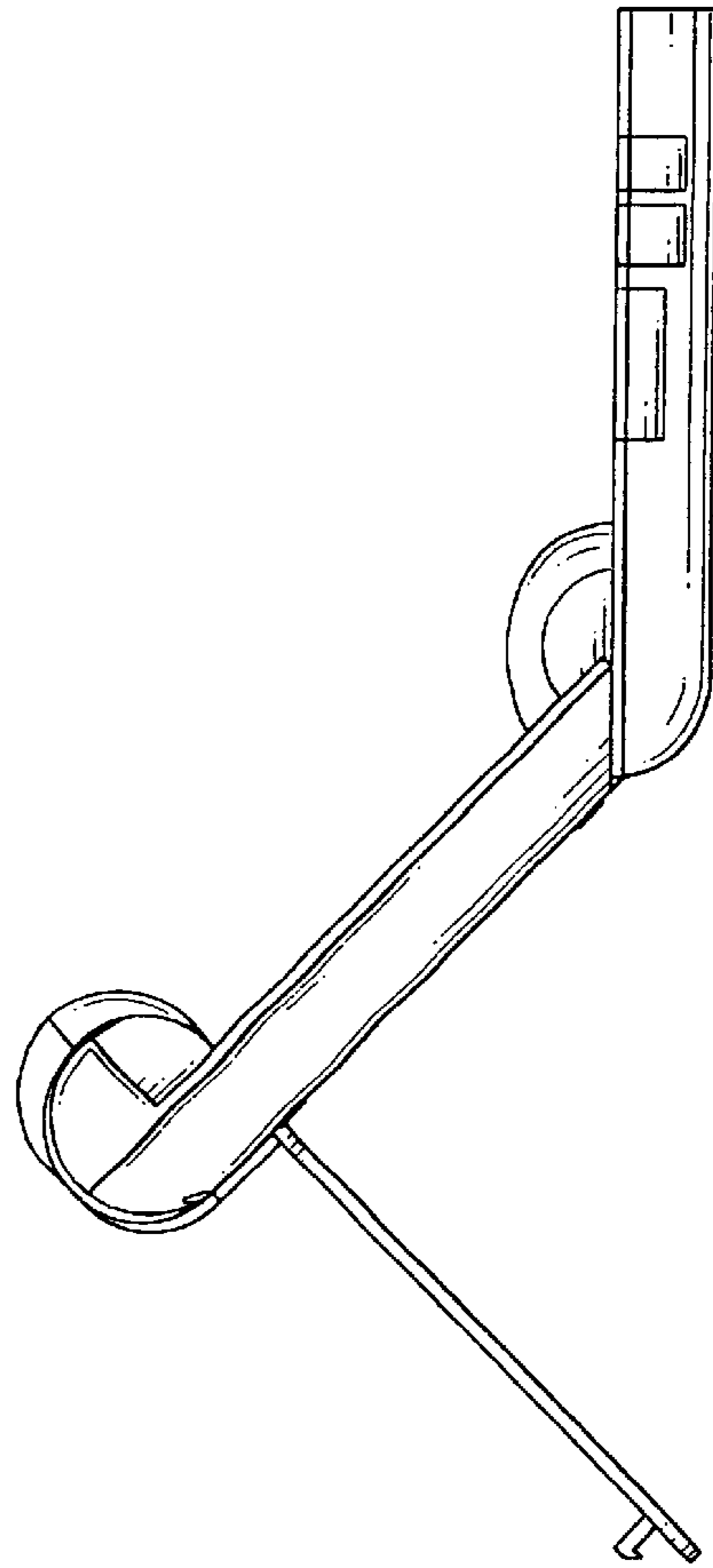


FIG. 4

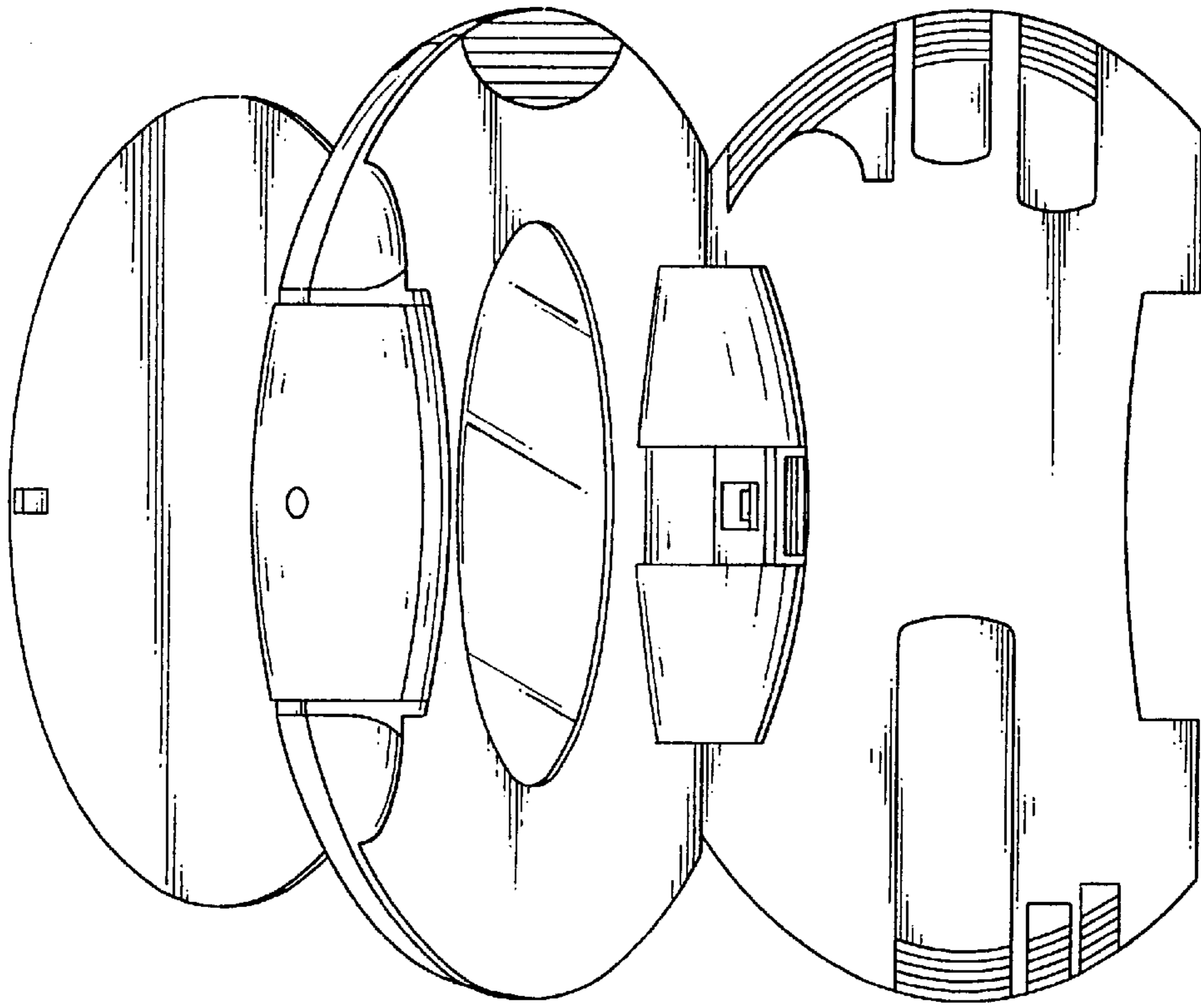


FIG. 6

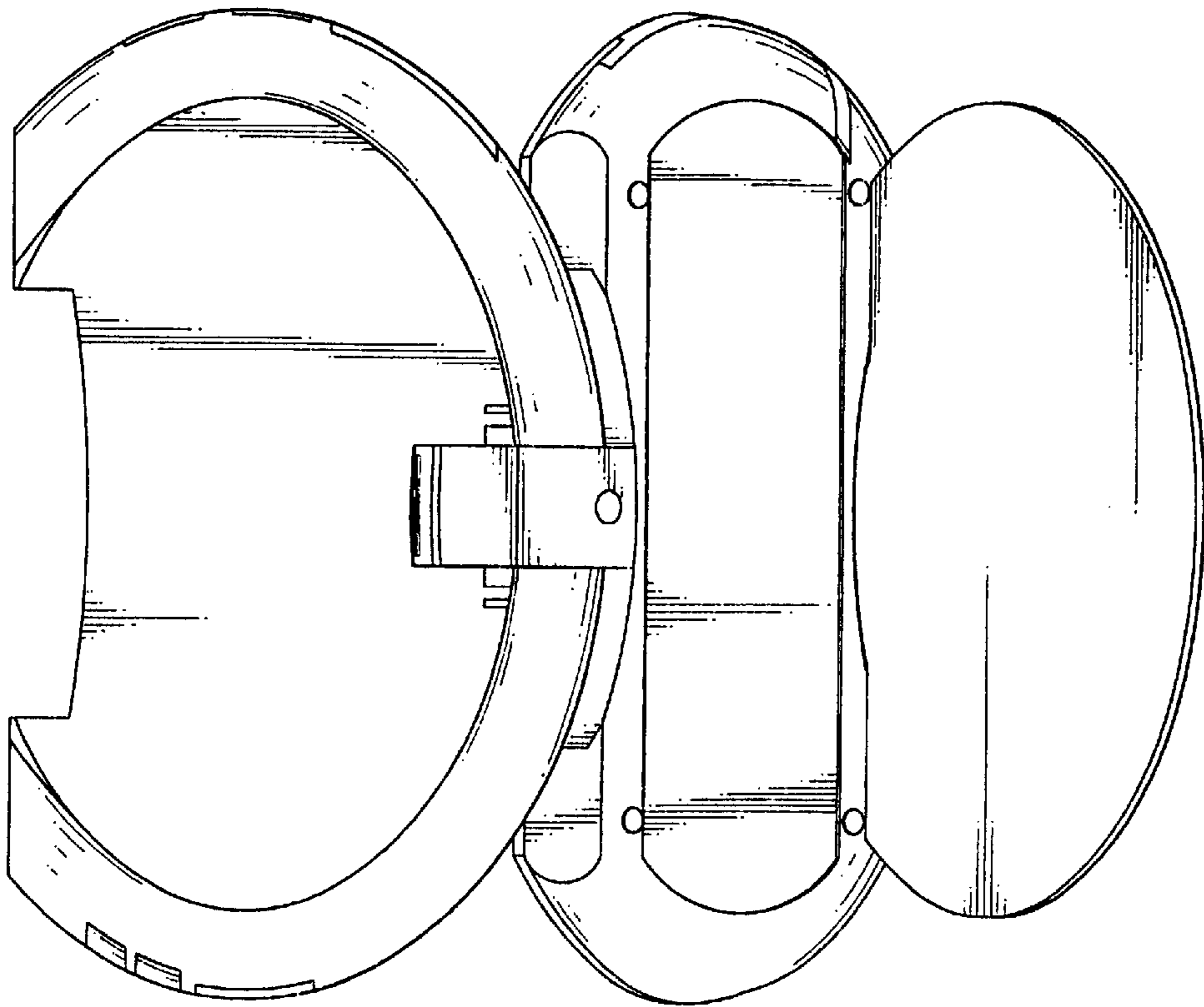


FIG. 7

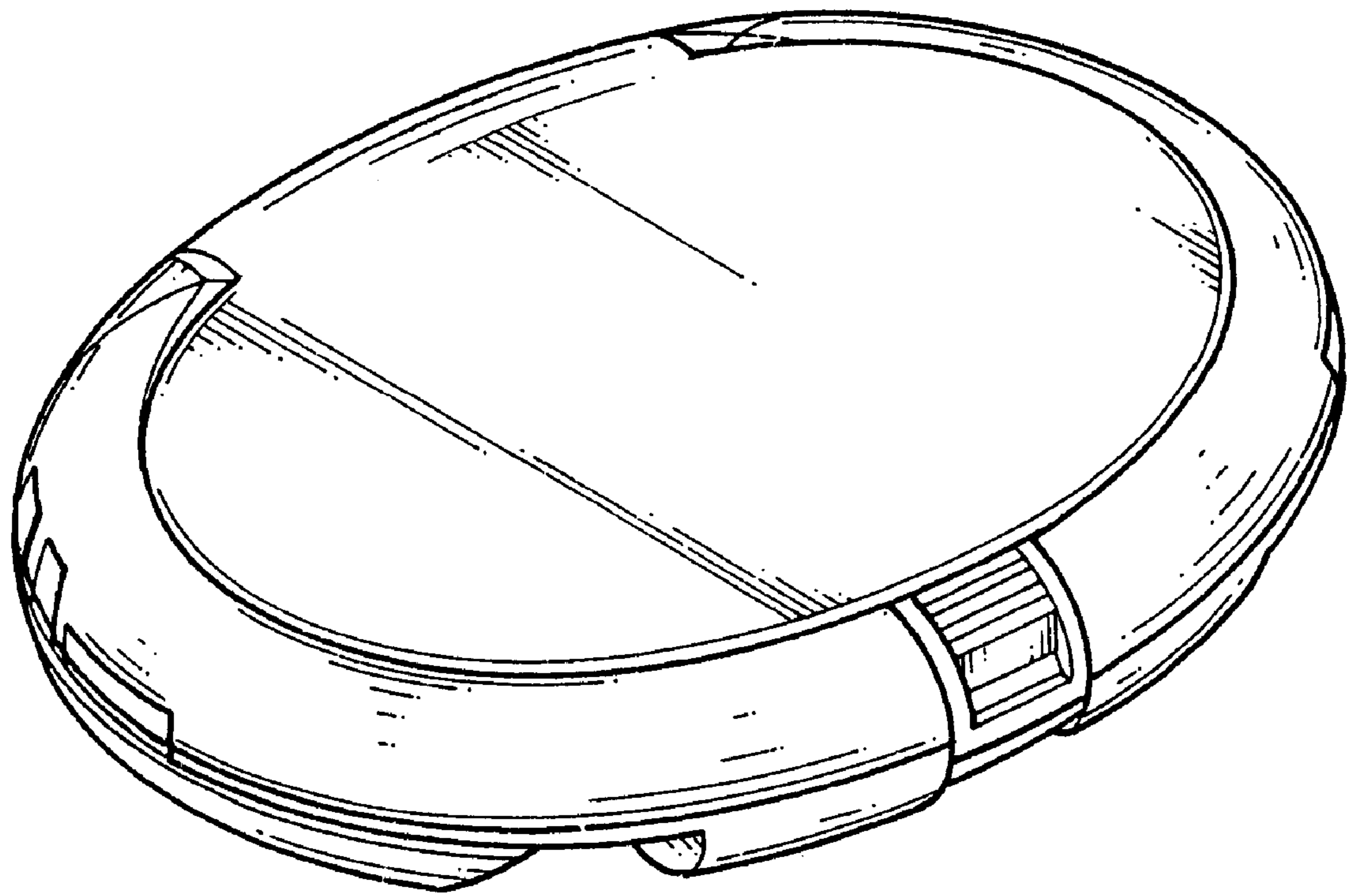


FIG. 8