



US00D481492S

(12) **United States Design Patent**
Dretzka

(10) **Patent No.:** **US D481,492 S**

(45) **Date of Patent:** **** Oct. 28, 2003**

(54) **CANISTER**

(75) **Inventor:** **Philip C. Dretzka**, Cleveland Heights, OH (US)

(73) **Assignee:** **InterDesign, Inc.**, Solon, OH (US)

(**) **Term:** **14 Years**

(21) **Appl. No.:** **29/165,392**

(22) **Filed:** **Aug. 9, 2002**

(51) **LOC (7) Cl.** **28-03**

(52) **U.S. Cl.** **D28/73; D7/615**

(58) **Field of Search** D28/73; D7/612-615,
D7/538-542, 601, 602, 629; D9/424-428;
D6/512; 220/780-788, 792-799, 805; 206/581,
361

(56) **References Cited**

U.S. PATENT DOCUMENTS

D337,187 S	7/1993	Hampshire	
D343,485 S	1/1994	Hampshire	
D431,754 S	* 10/2000	Thuma D7/615
D457,389 S	5/2002	Snell	
D457,782 S	5/2002	Snell	
D463,715 S	10/2002	Dretzka	

* cited by examiner

Primary Examiner—Terry A. Wallace
(74) *Attorney, Agent, or Firm*—D. Peter Hochberg;
Katherine R. Vieyra; Sean Mellino

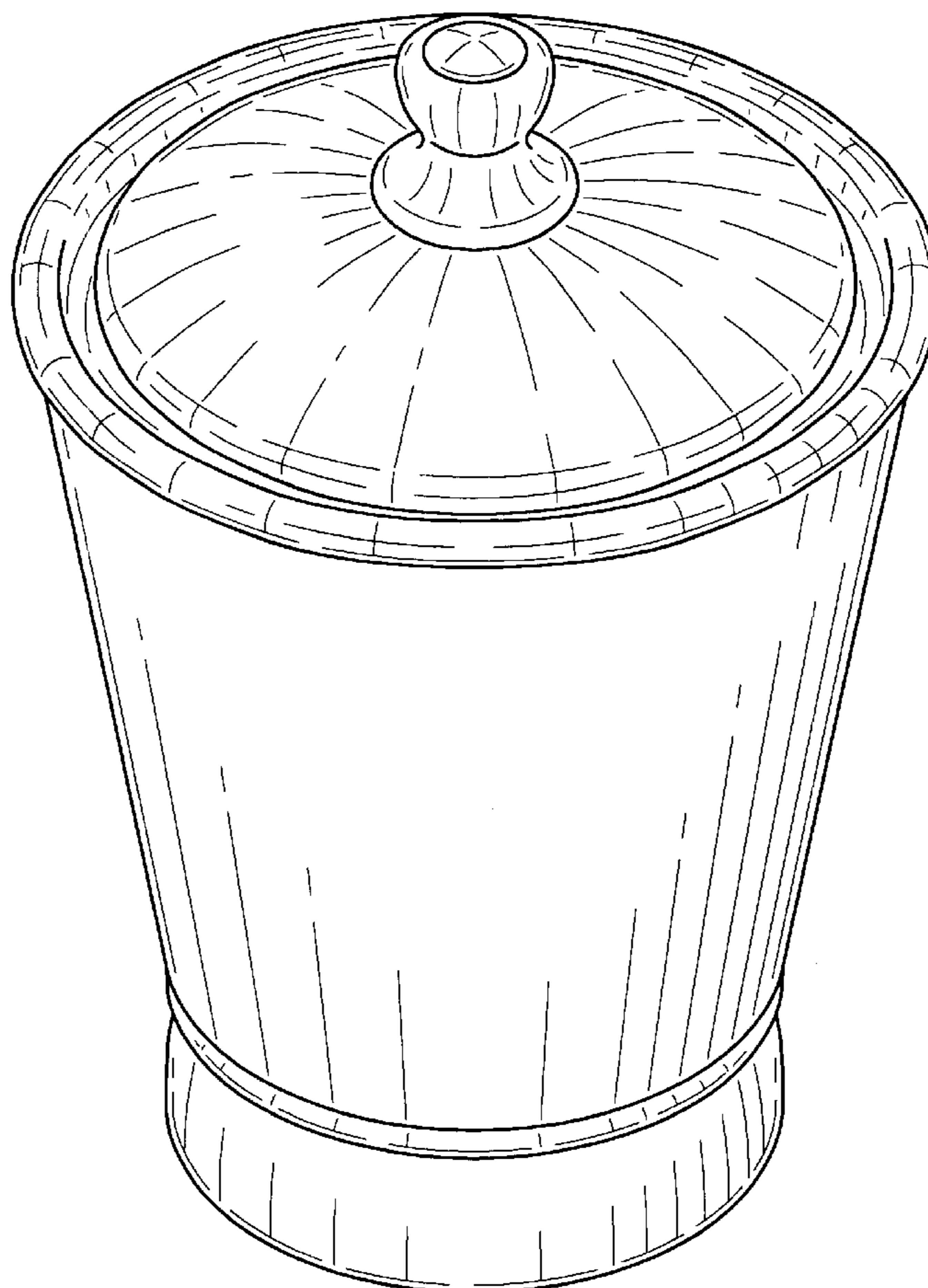
(57) **CLAIM**

The ornamental design for a canister, as shown and described.

DESCRIPTION

FIG. 1 is a perspective view of a canister embodying this invention;
FIG. 2 is a perspective view of the canister shown in FIG. 1, with the lid of the canister suspended above the base of the canister;
FIG. 3 is a top view of the canister shown in FIG. 1;
FIG. 4 is a side view of the canister shown in FIG. 1;
FIG. 5 is a side view of the canister shown in FIG. 1, with the lid of the canister suspended above the base of the canister;
FIG. 6 is a bottom view of the canister shown in FIG. 1;
FIG. 7 is a bottom view of the lid shown in FIG. 1-6, along lines 7-7 in FIG. 5; and,
FIG. 8 is a top view of the base of the canister lid shown in FIG. 1-7, along lines 8-8 in FIG. 5.

1 Claim, 5 Drawing Sheets



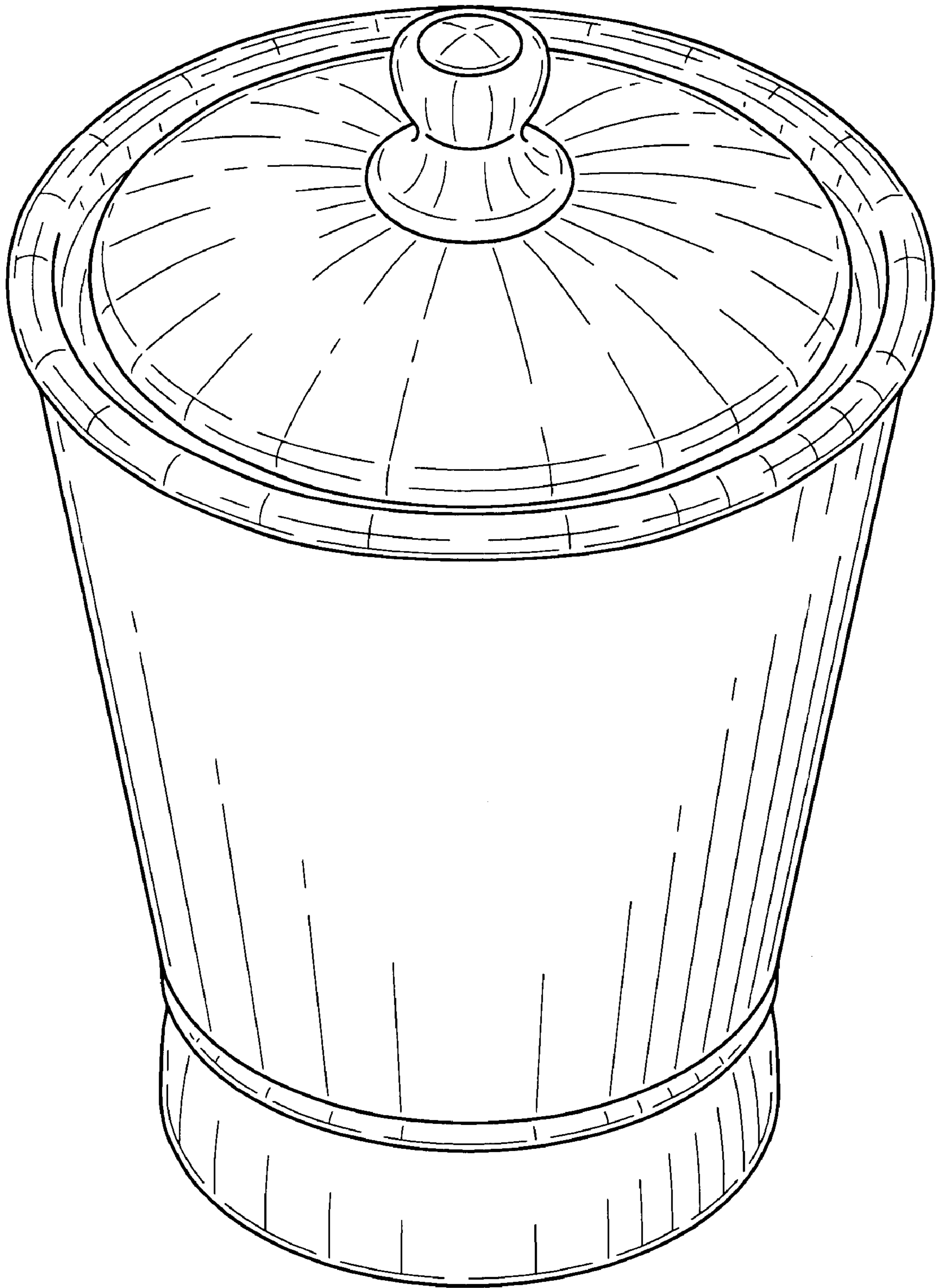


FIG-1

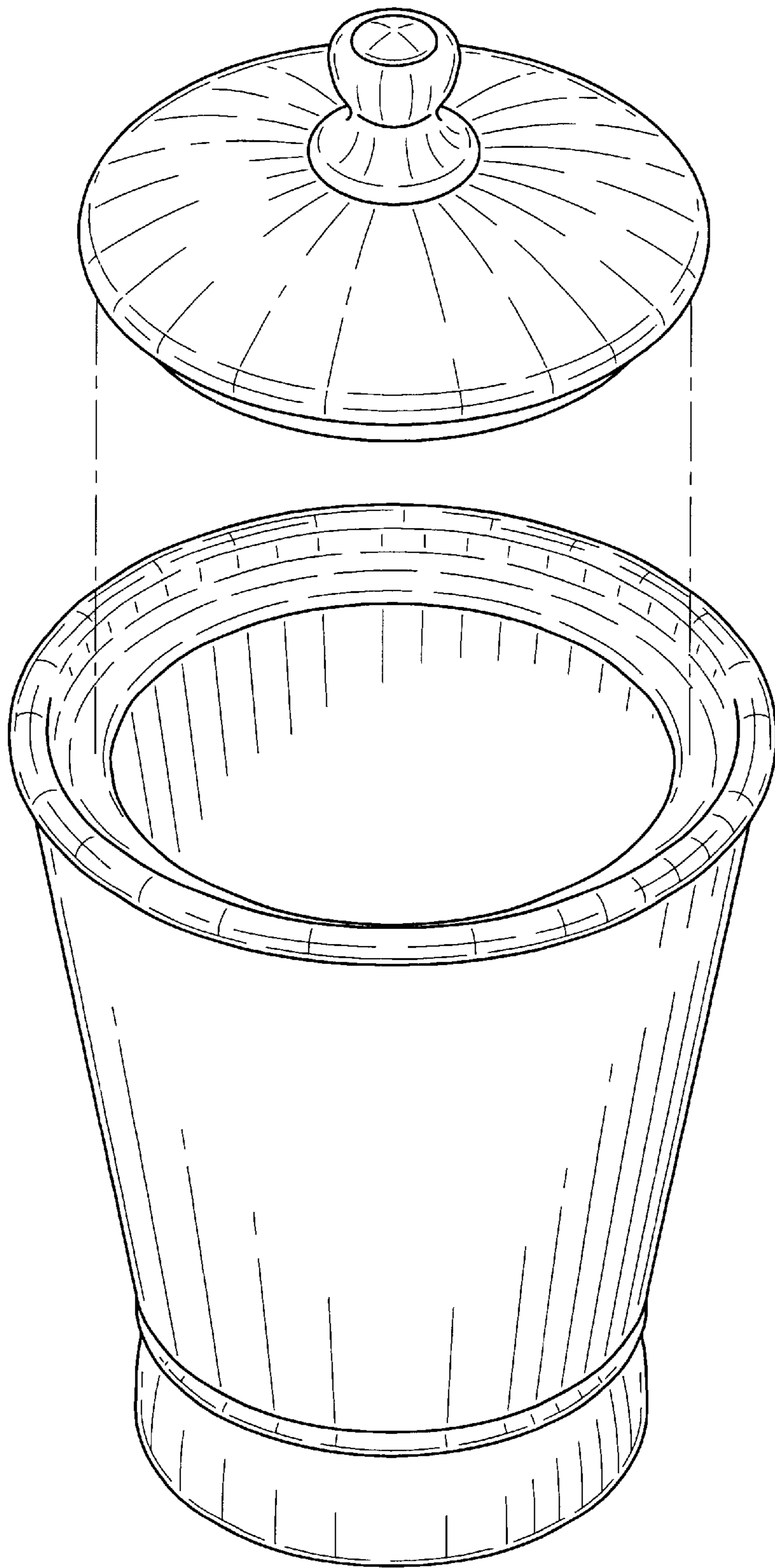


FIG-2

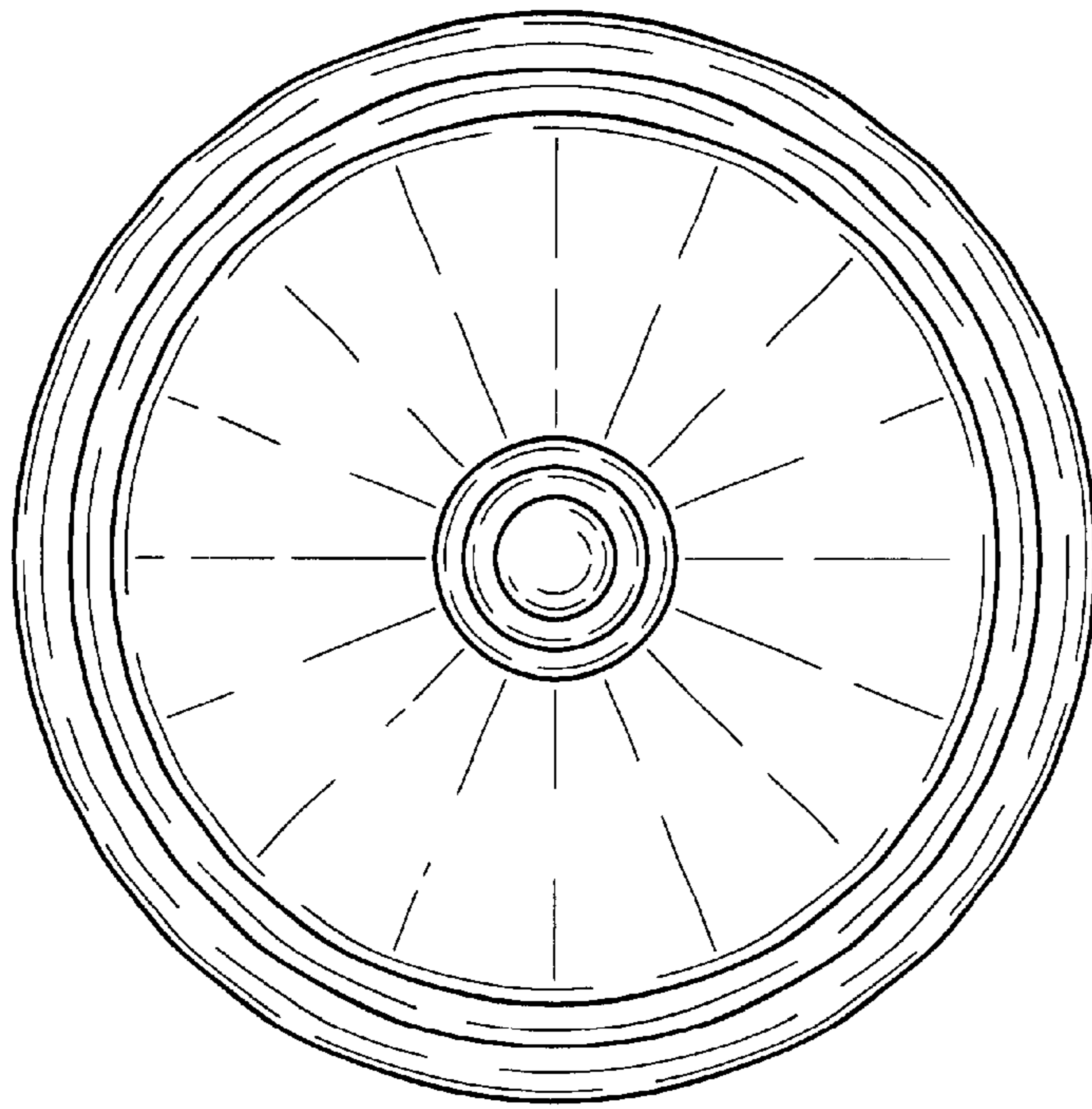


FIG-3

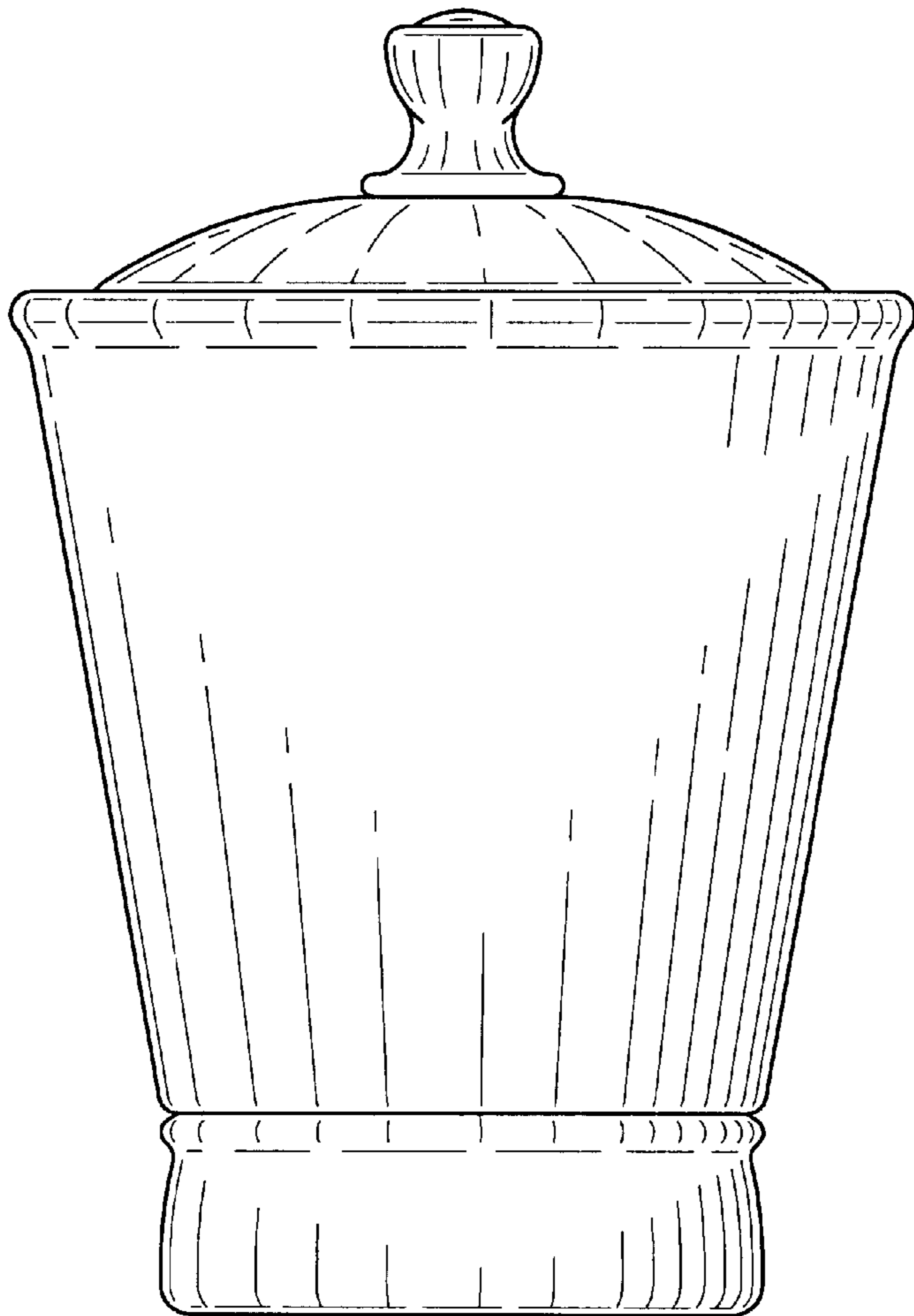


FIG-4

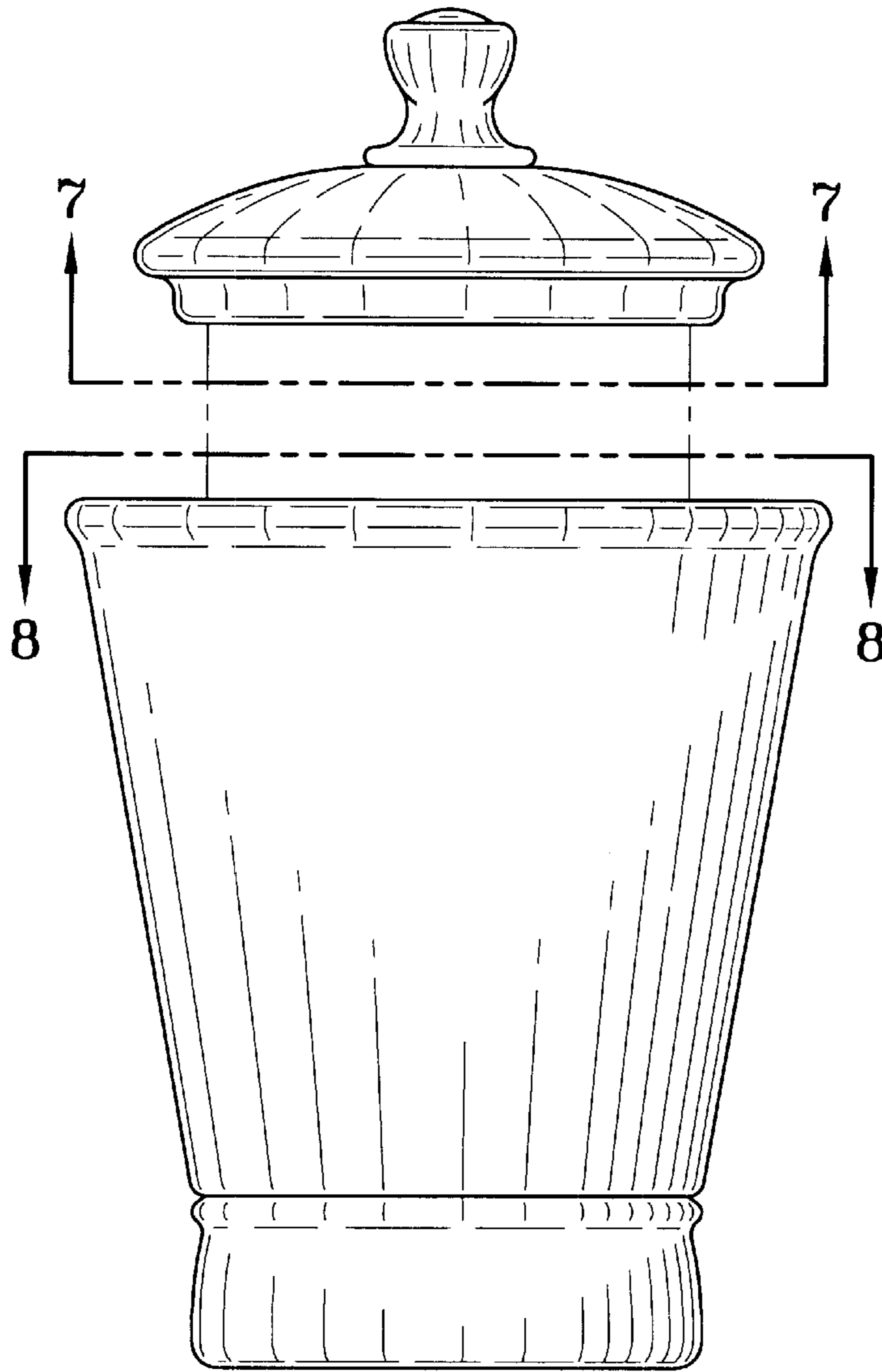


FIG-5

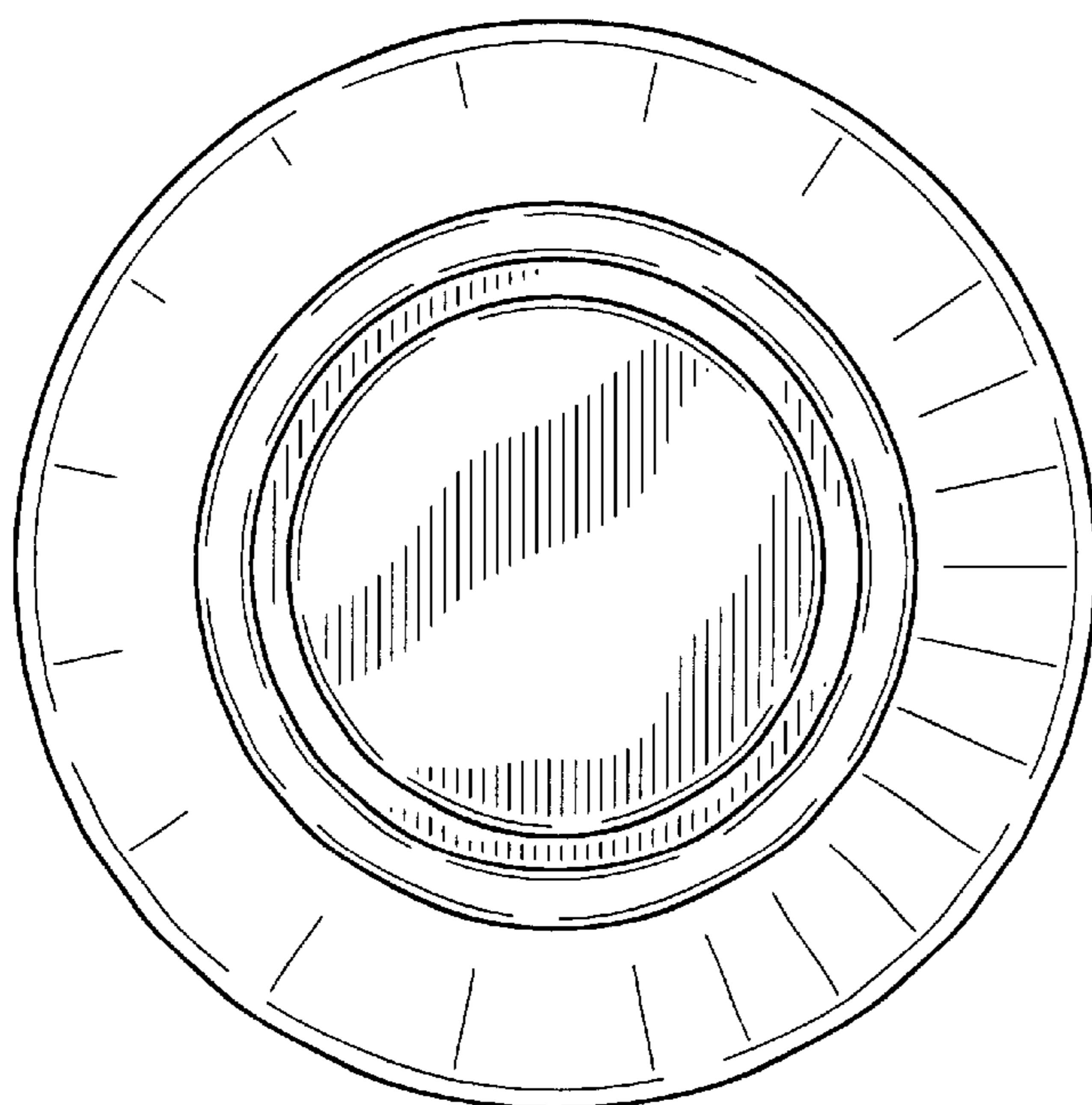


FIG-6

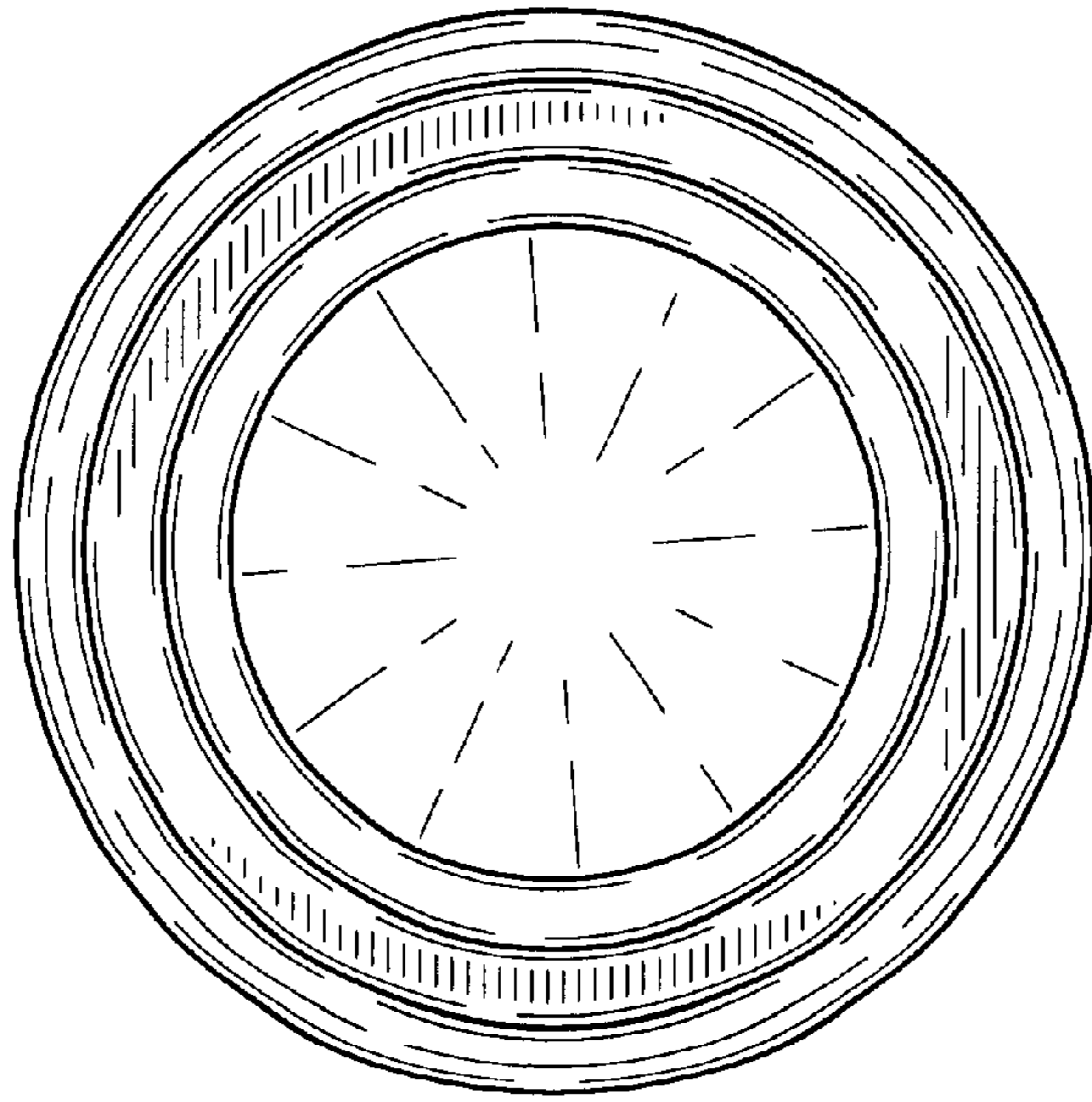


FIG-7

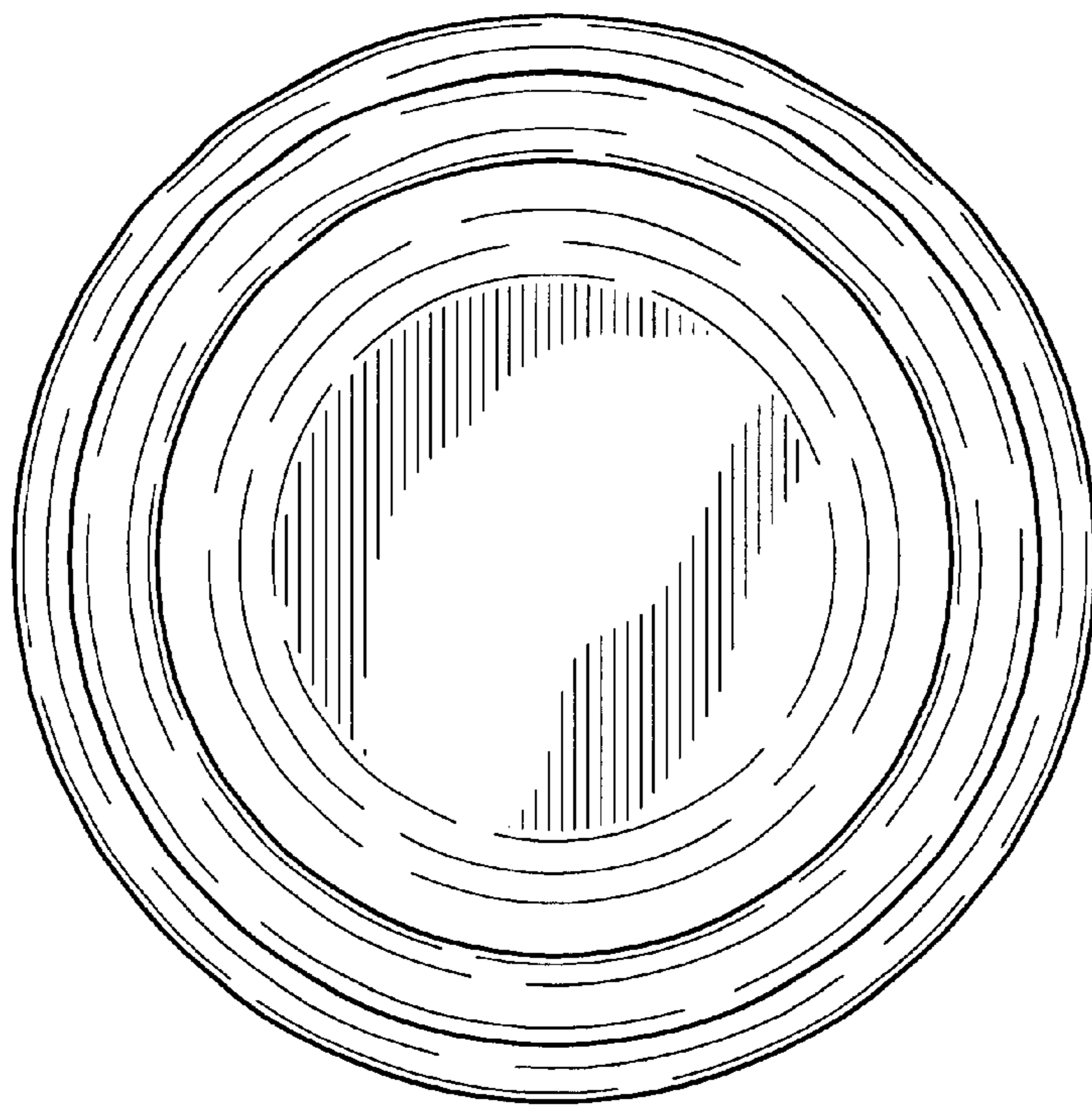


FIG-8