



US00D481490S

(12) **United States Design Patent**
Fickas et al.

(10) **Patent No.:** **US D481,490 S**

(45) **Date of Patent:** **** Oct. 28, 2003**

(54) **LUMINAIRE MOUNT**

(74) *Attorney, Agent, or Firm*—Kenneth E. Darnell

(75) **Inventors:** **Eric J. Fickas**, Powell, OH (US); **Fred C. Schlichter**, Newark, OH (US); **Scott L. Posey**, Newark, OH (US)

(57) **CLAIM**

The ornamental design for a luminaire mount, as shown and described.

(73) **Assignee:** **Aculty Brands, Inc.**, Atlanta, GA (US)

DESCRIPTION

(**) **Term:** **14 Years**

(21) **Appl. No.:** **29/169,408**

(22) **Filed:** **Oct. 18, 2002**

(51) **LOC (7) Cl.** **26-99**

(52) **U.S. Cl.** **D26/155; D26/145**

(58) **Field of Search** **D27/87, 92, 145, D27/155; 362/432**

FIG. 1 is a bottom perspective view of a first embodiment of the luminaire mount showing the new design;
FIG. 2 is a side elevational view thereof;
FIG. 3 is a front elevational view thereof;
FIG. 4 is a bottom view thereof;
FIG. 5 is a top plan view thereof;
FIG. 6 is a top perspective view thereof;
FIG. 7 is a perspective view of a second embodiment of the luminaire mount of the new design shown inverted in an operational environment;
FIG. 8 is a side elevational view thereof;
FIG. 9 is a front elevational view thereof;
FIG. 10 is a top plan view thereof; and,
FIG. 11 is a bottom view thereof.
The broken line environment showing is for illustrative purposes only and forms no part of the claimed design.

(56) **References Cited**

U.S. PATENT DOCUMENTS

5,924,789 A * 7/1999 Thornton 362/432

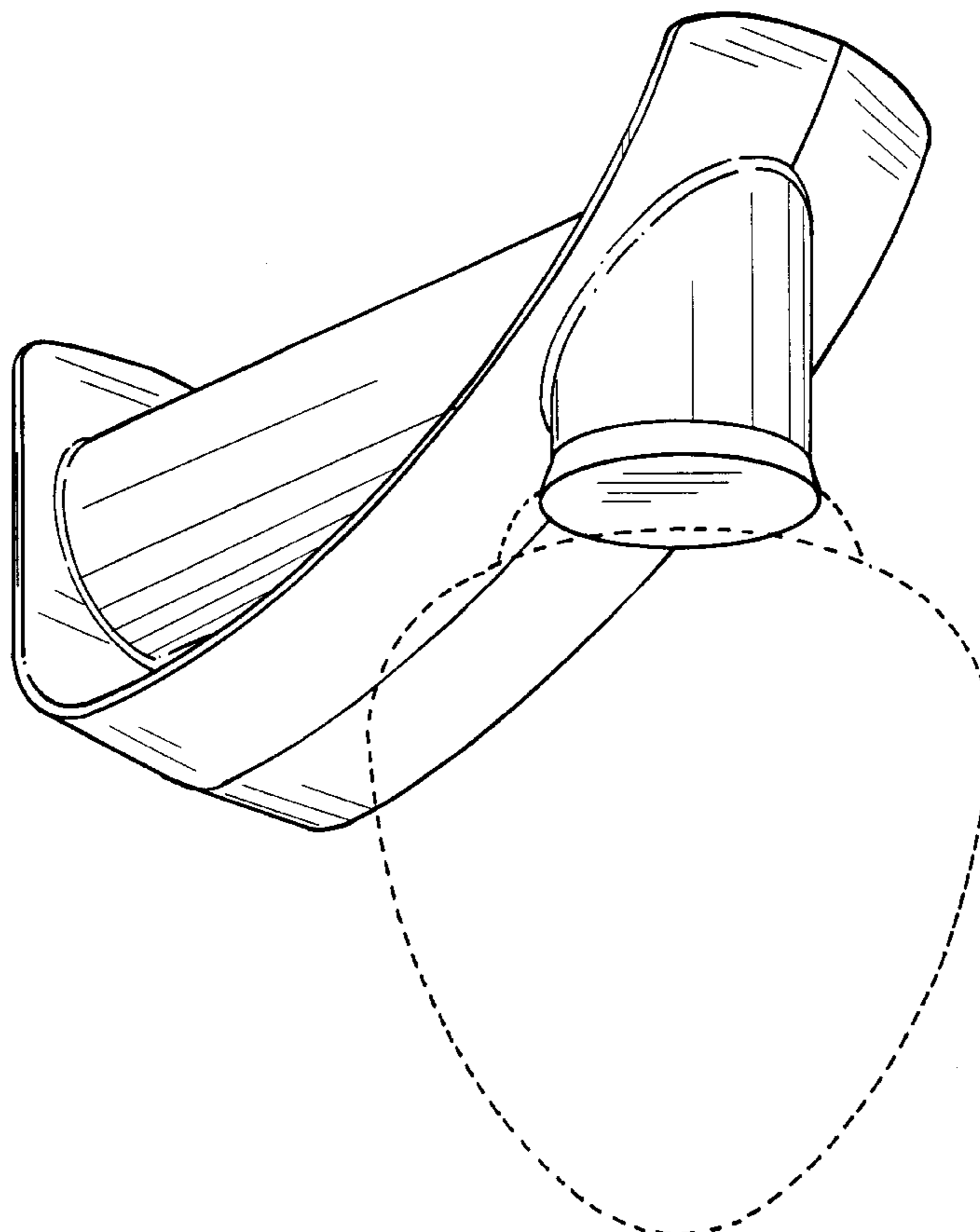
OTHER PUBLICATIONS

Plastilite light fixture, *Illuminotecnica*, May 1998.*

* cited by examiner

Primary Examiner—Jennifer Rivard

1 Claim, 7 Drawing Sheets



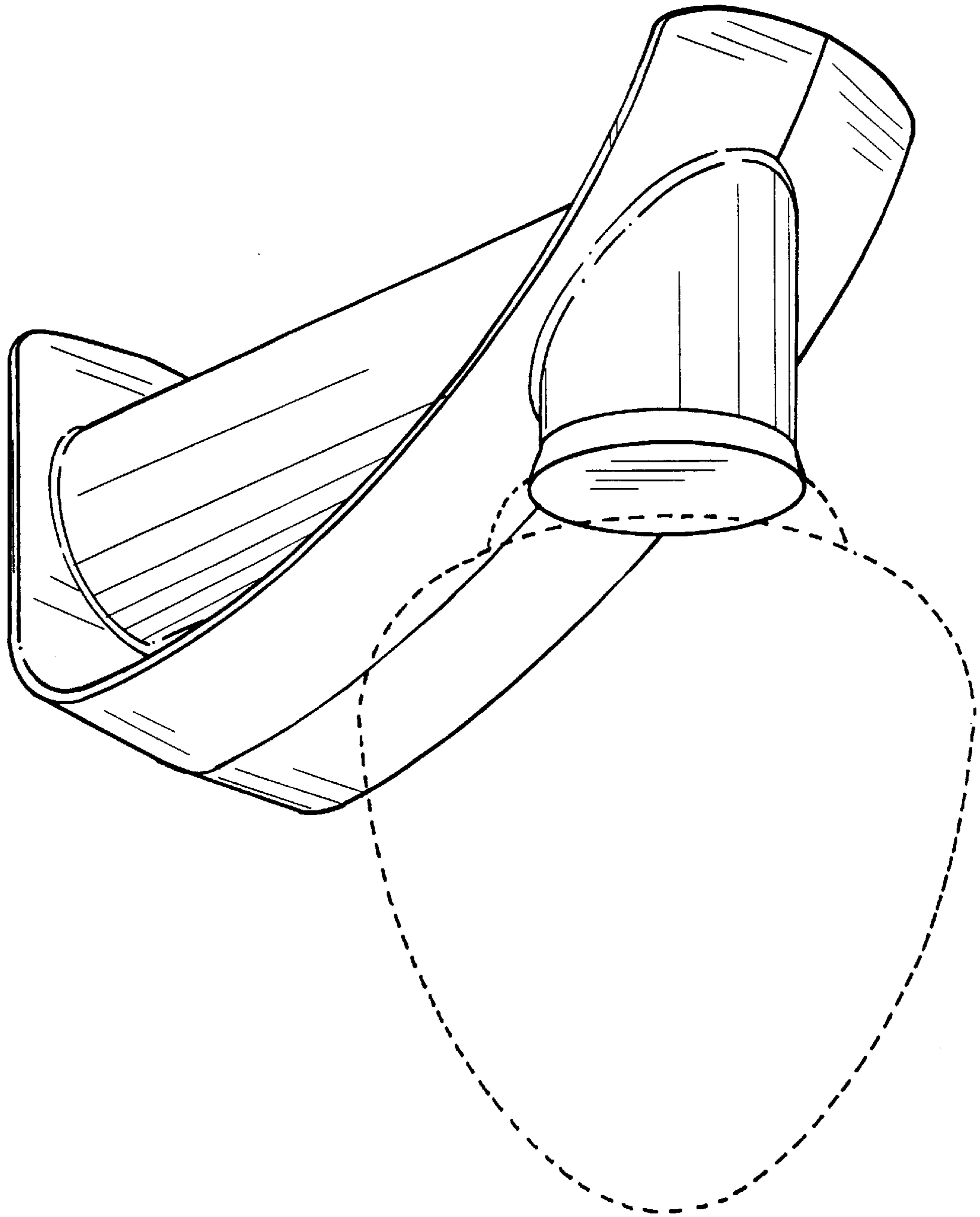


Fig. 1

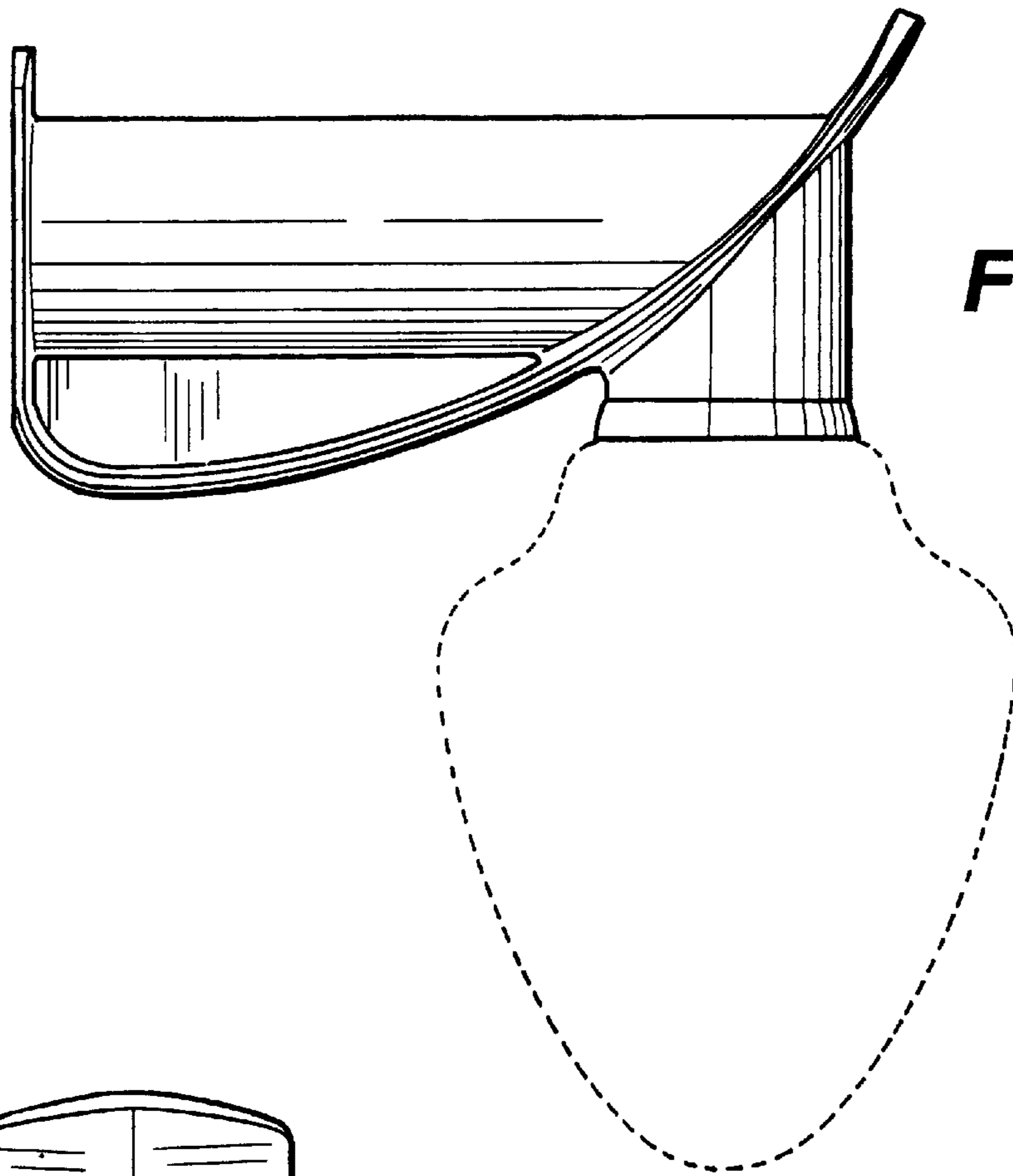


Fig. 2

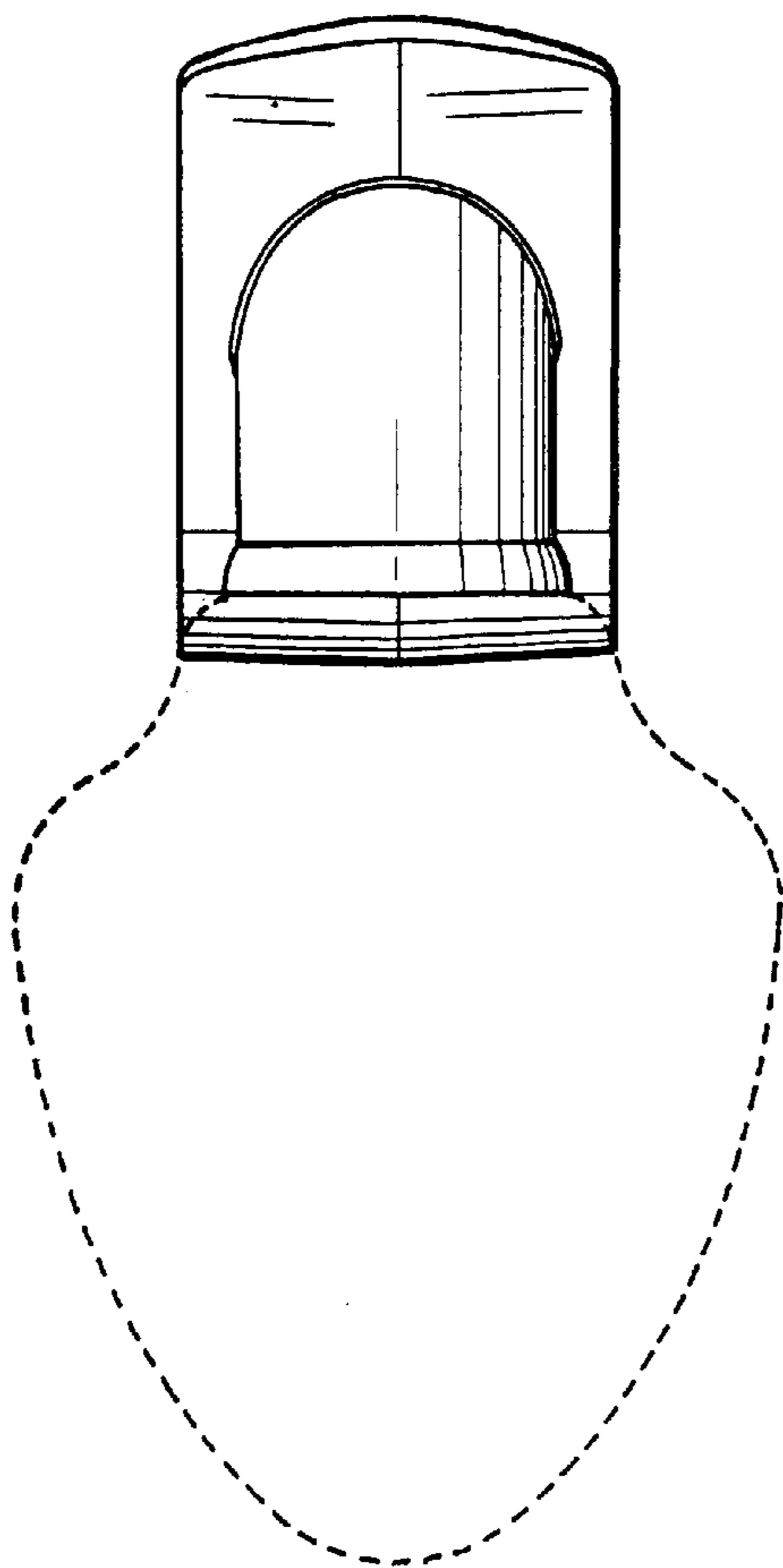


Fig. 3

Fig. 4

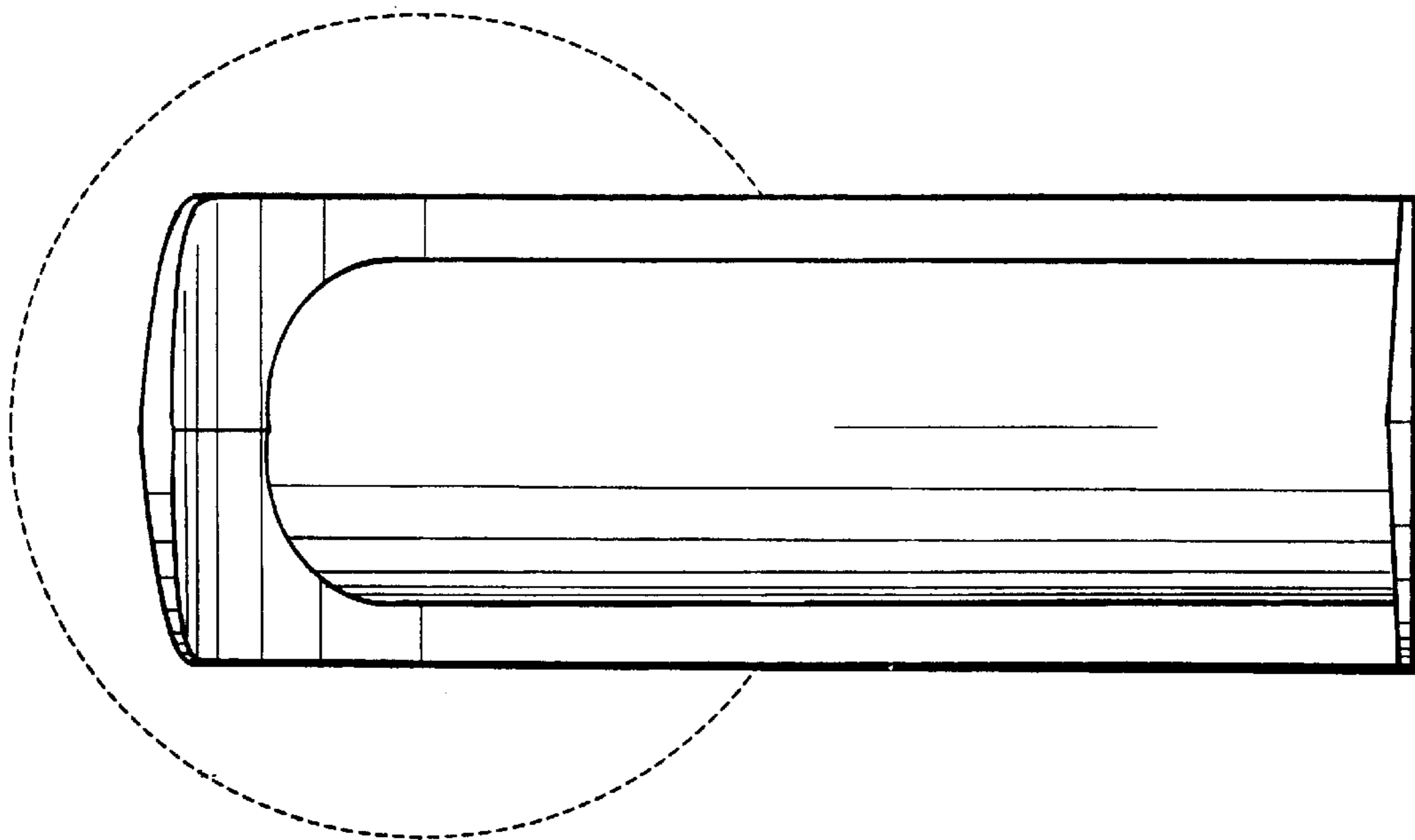
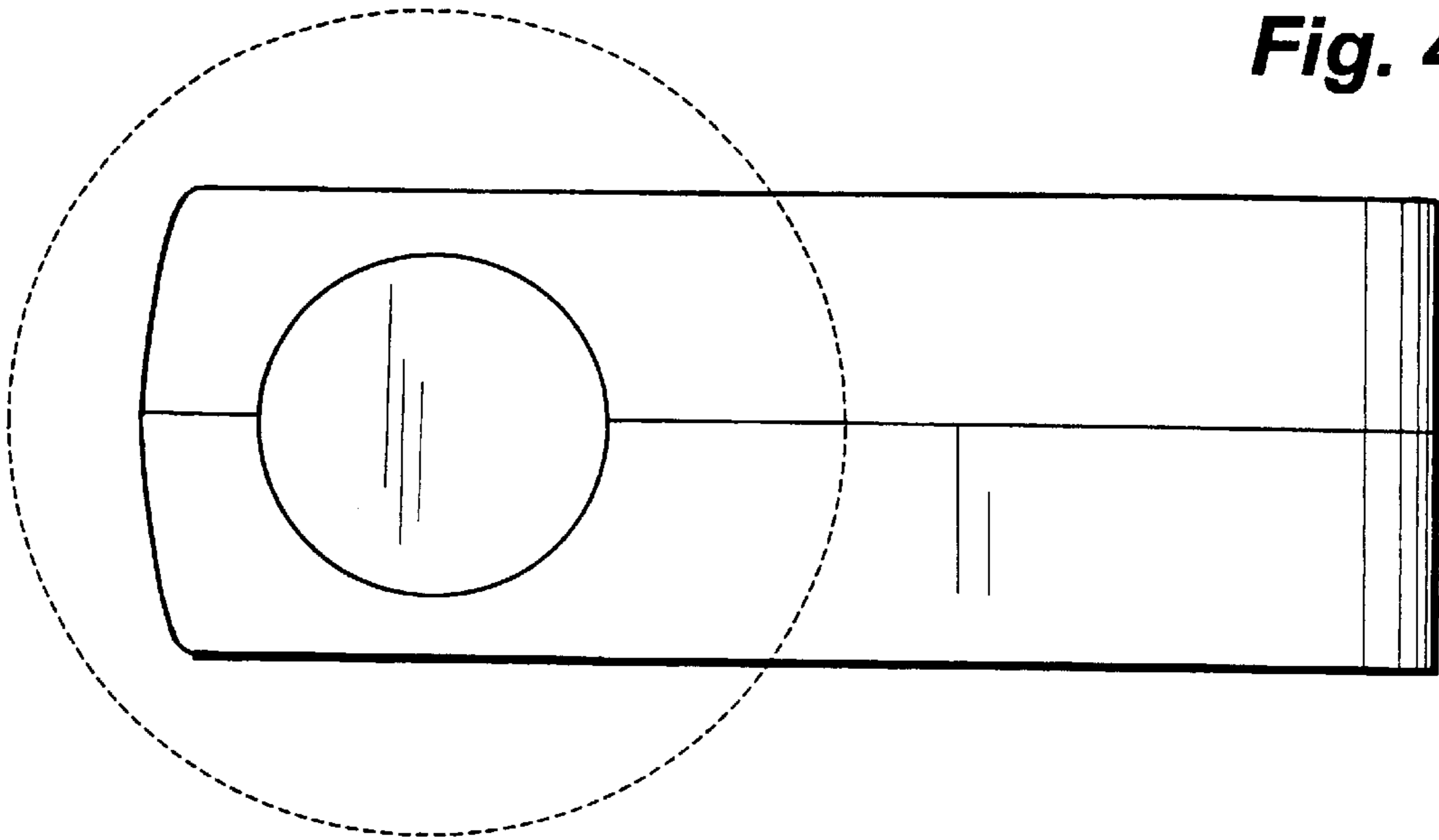


Fig. 5

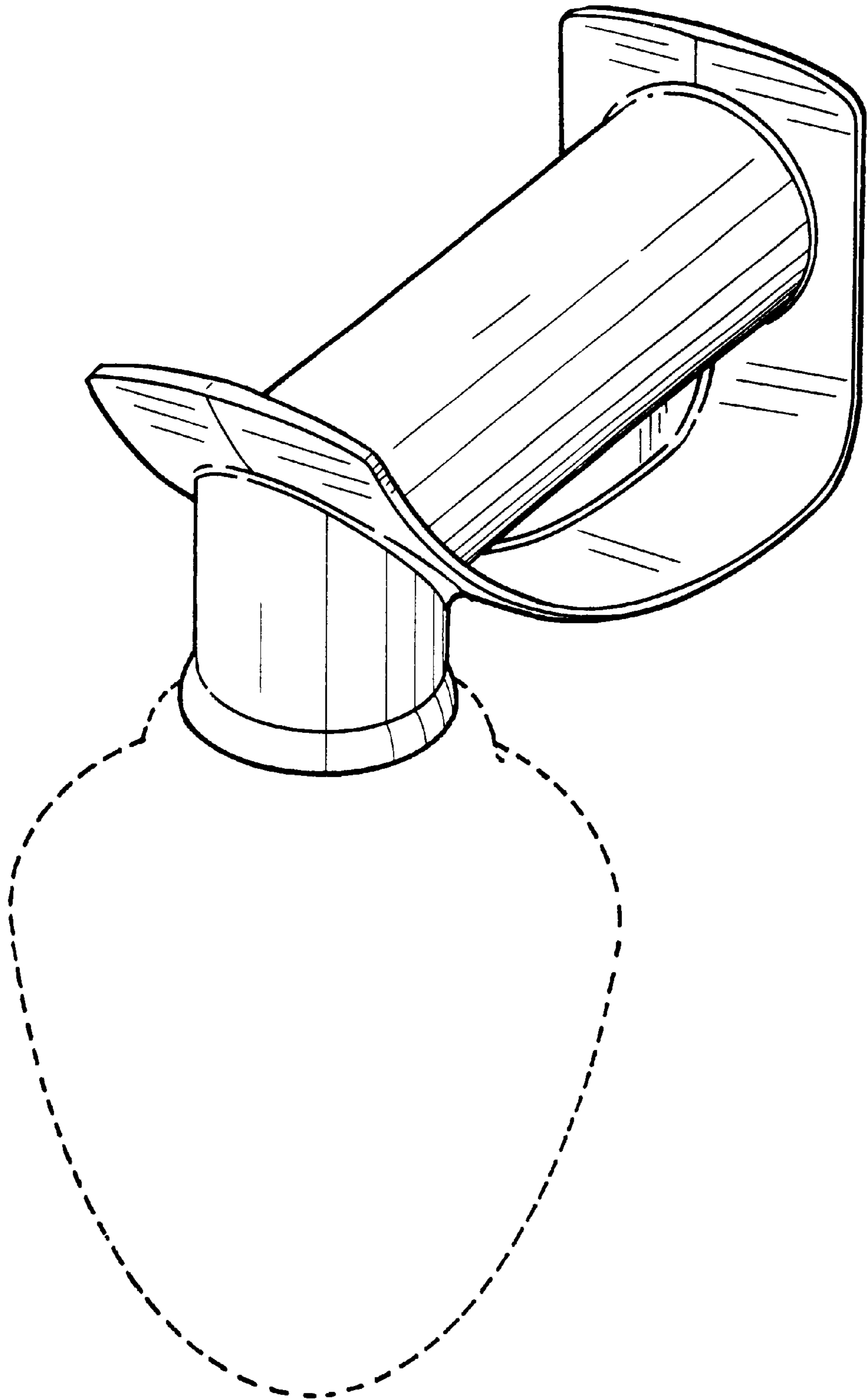


Fig. 6

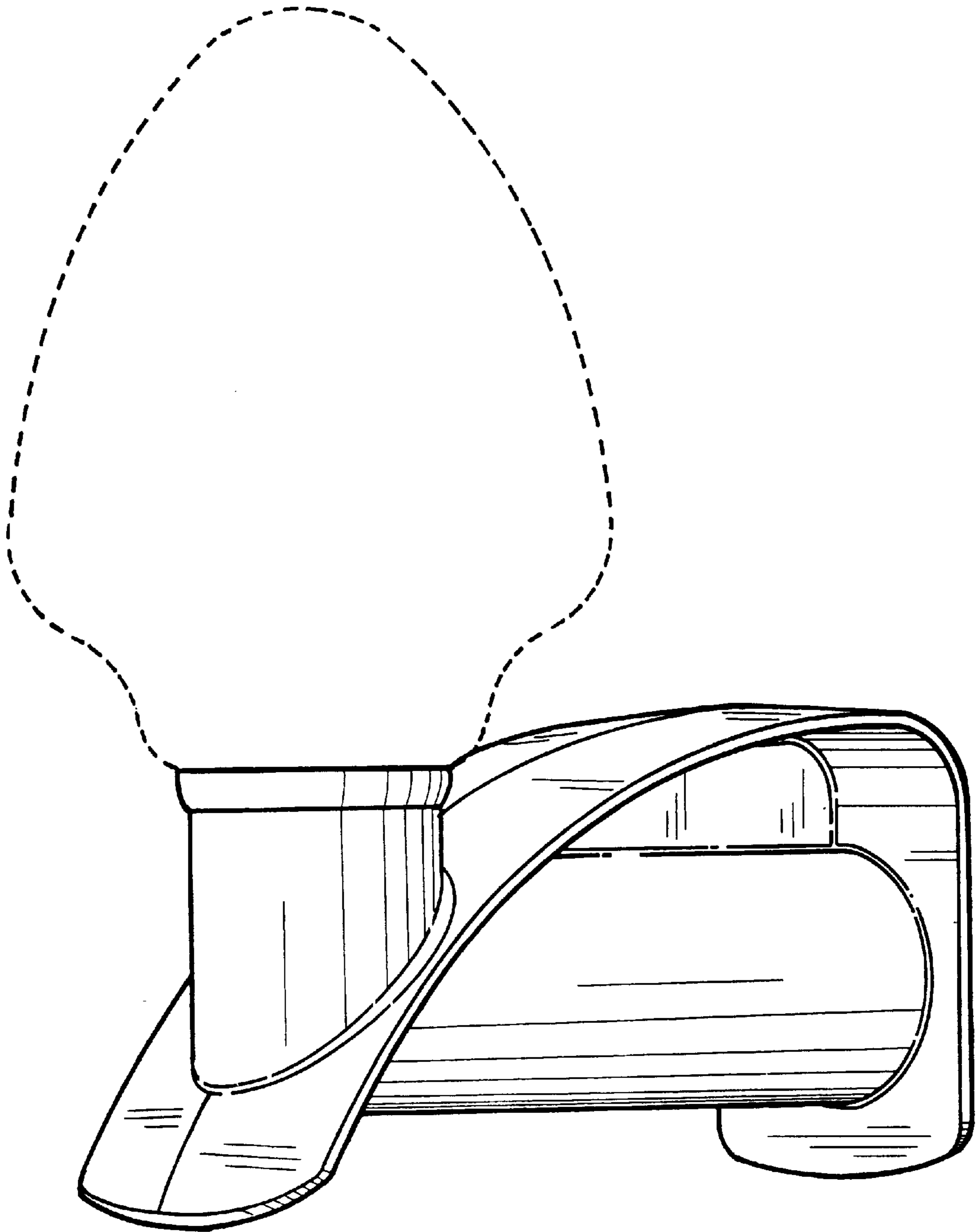


Fig. 7

Fig. 8

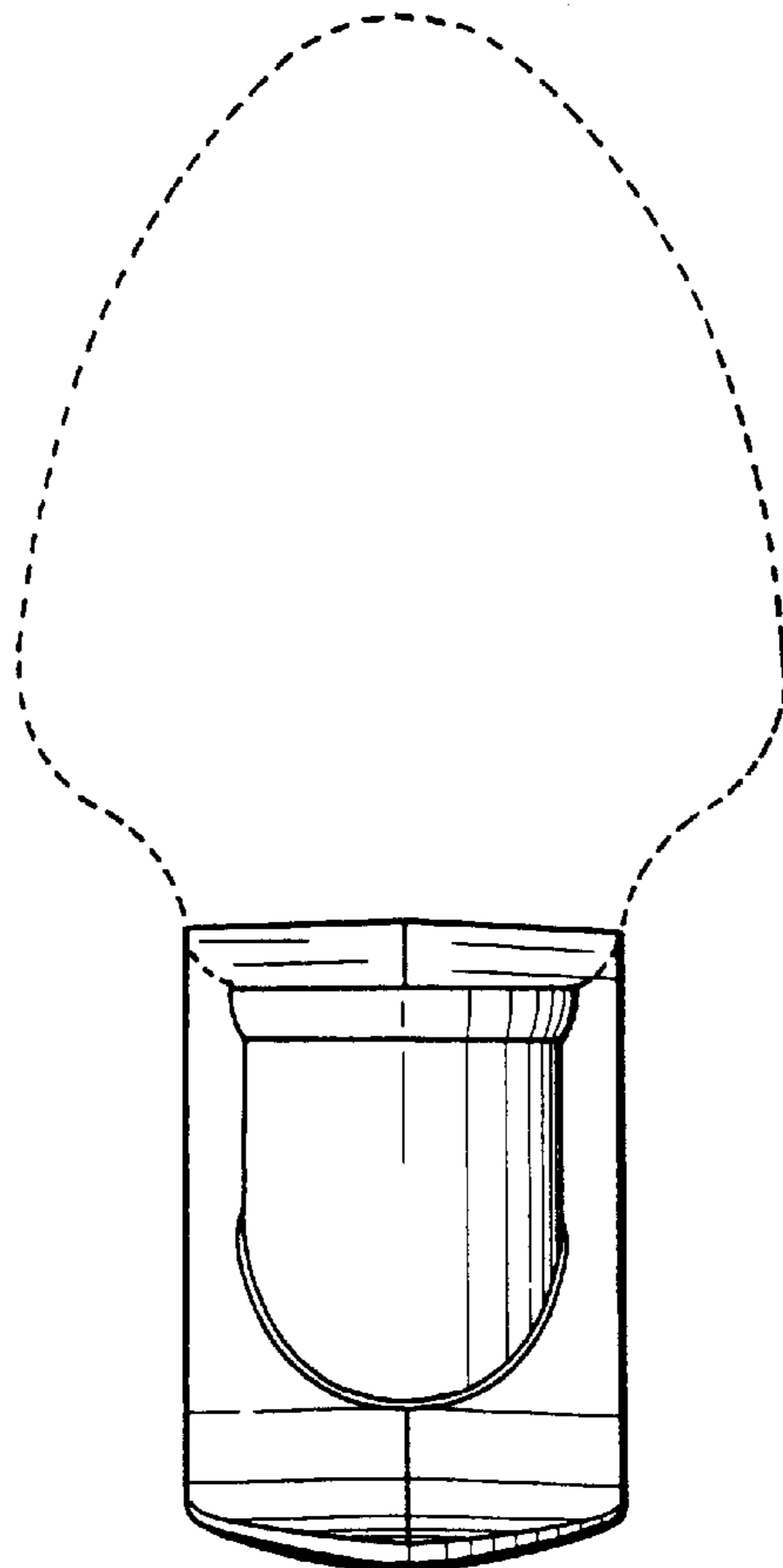
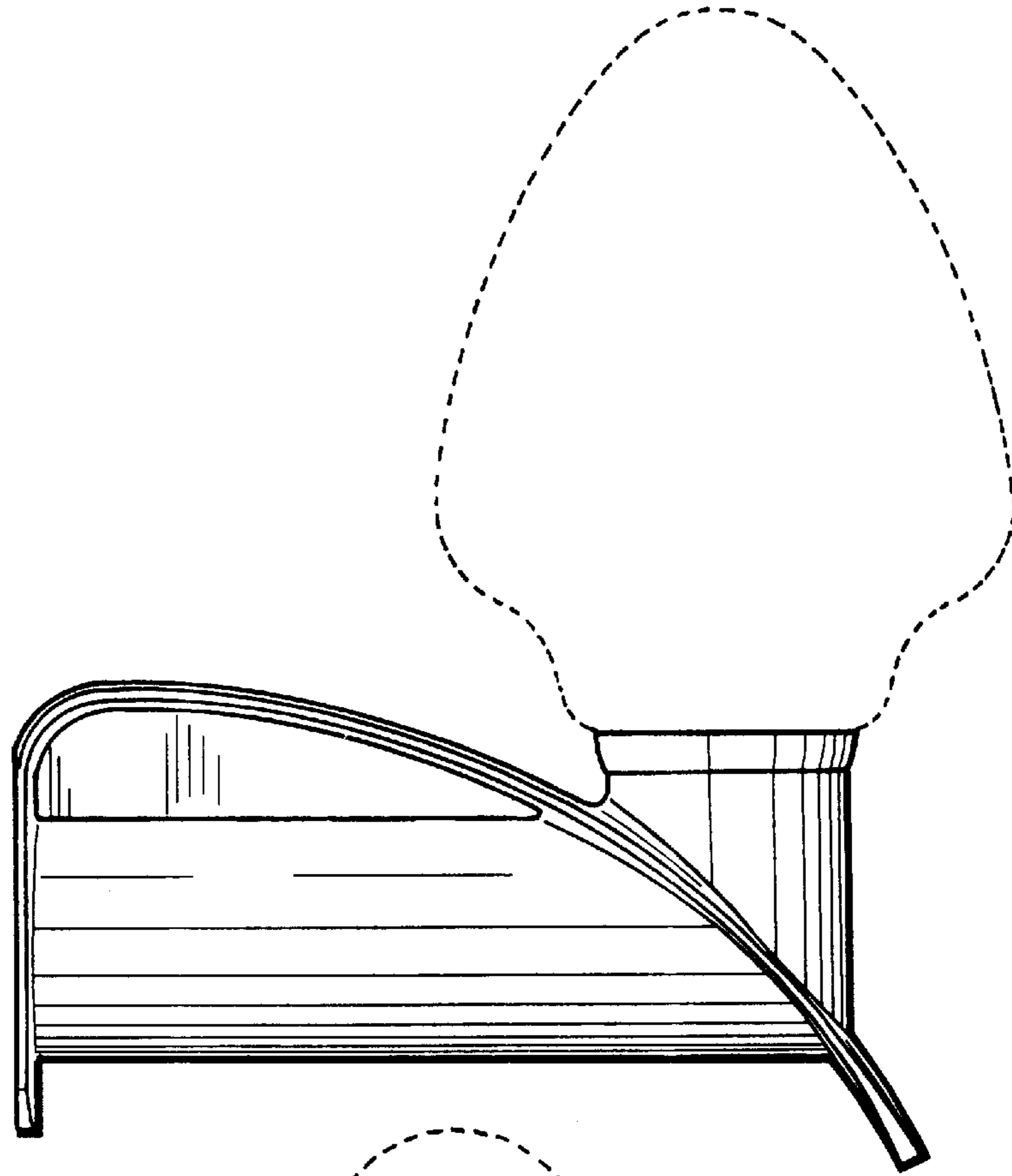


Fig. 9

Fig. 10

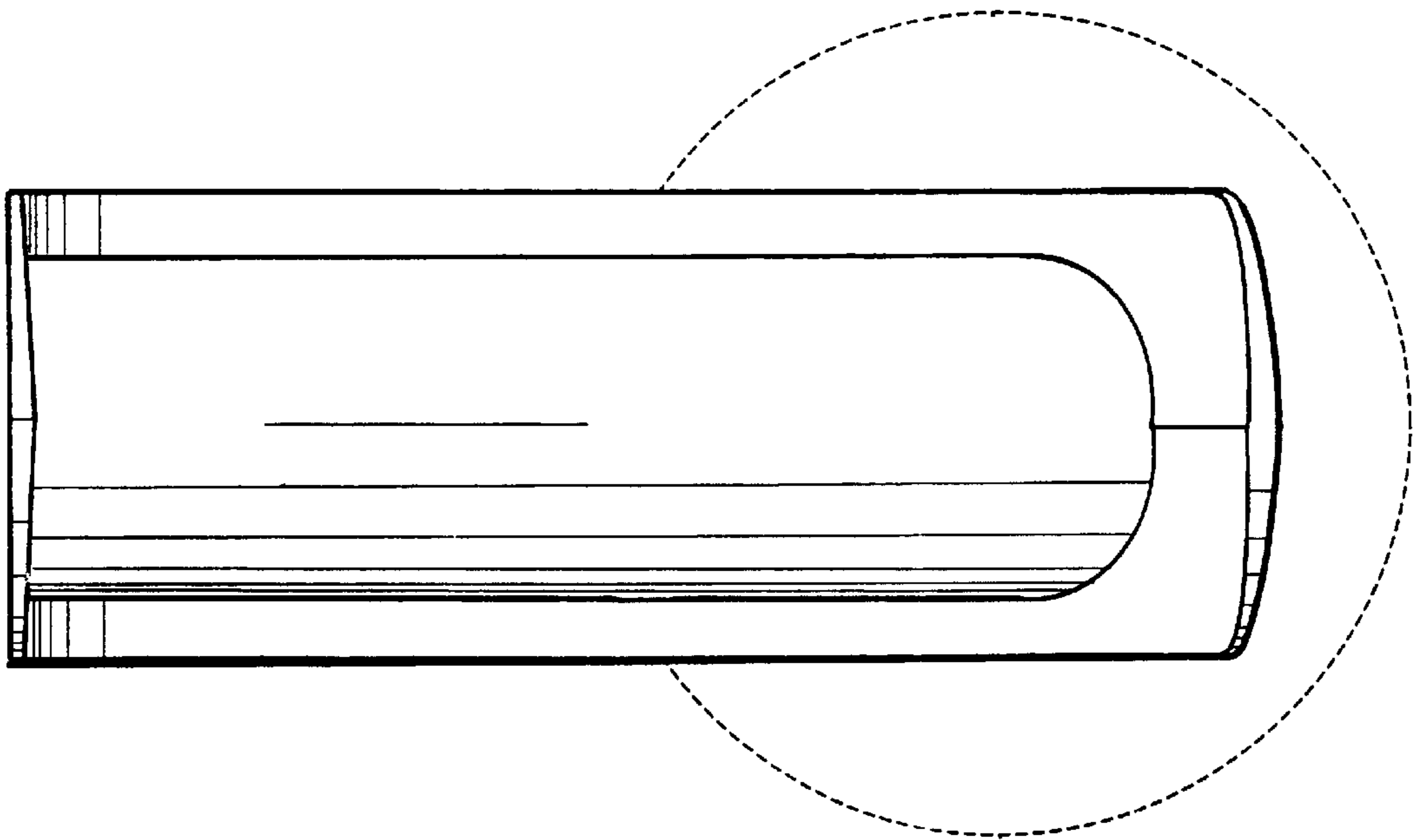
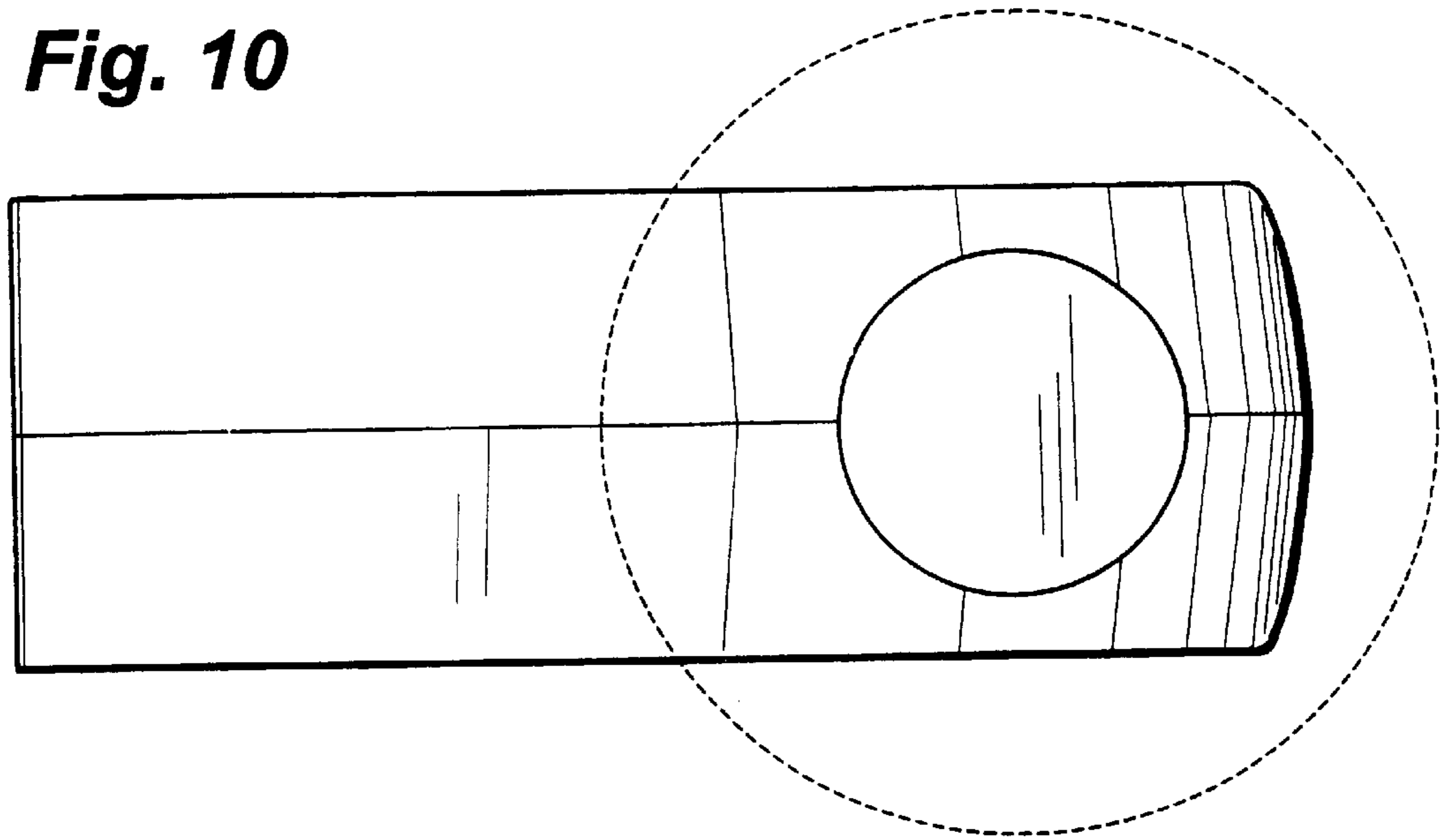


Fig. 11