



US00D481483S

(12) **United States Design Patent**
Waugh et al.

(10) **Patent No.:** **US D481,483 S**

(45) **Date of Patent:** **** Oct. 28, 2003**

(54) **LOW PROFILE TASK LIGHT**
(75) Inventors: **Daniel E. Waugh**, Kentwood, MI (US);
Jenny Tommos, Grand Rapids, MI
(US); **Jeffrey T. Charon**, Grandville,
MI (US)

D386,278 S 11/1997 Engle et al.
5,984,486 A 11/1999 Munz et al.
D443,096 S 5/2001 Echito
D449,402 S 10/2001 Echito
D452,340 S 12/2001 Pickett et al.
D469,560 S * 1/2003 Nayler et al. D26/78

(73) Assignee: **Steelcase Development Corporation**,
Caledonia, MI (US)

* cited by examiner

(**) Term: **14 Years**

Primary Examiner—Clare E. Heflin
(74) *Attorney, Agent, or Firm*—Price, Heneveld, Cooper,
DeWitt & Litton

(21) Appl. No.: **29/157,106**

(57) **CLAIM**

(22) Filed: **Mar. 13, 2002**

We claim the ornamental design for the low profile task light, as shown and described.

(51) **LOC (7) Cl.** **26-03**

(52) **U.S. Cl.** **D26/76**

(58) **Field of Search** D26/72, 75-78,
D26/118, 119, 121, 122, 152; 362/215,
217-225, 260, 291, 342, 354

DESCRIPTION

(56) **References Cited**

U.S. PATENT DOCUMENTS

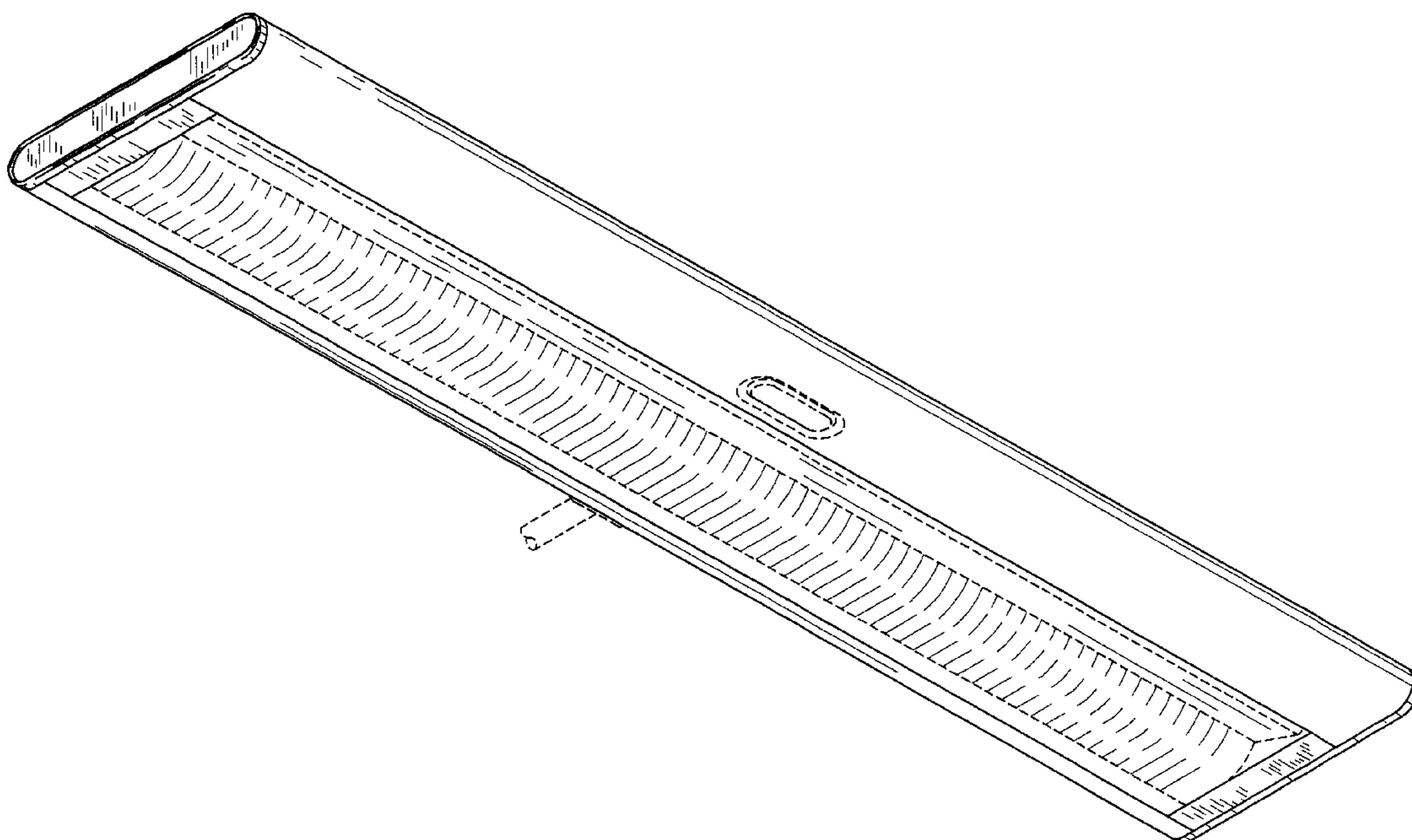
2,345,235	A	*	3/1944	Carter, Jr.	362/140
3,947,678	A	*	3/1976	Herbert Tang	362/222
3,996,493	A		12/1976	Davenport et al.		
4,323,955	A	*	4/1982	Mark	362/278
D286,916	S	*	11/1986	Worrell	D26/72
4,941,071	A		7/1990	Knauf		
4,969,075	A		11/1990	Helm et al.		
5,079,680	A		1/1992	Kohn		
5,226,719	A		7/1993	Feldpausch et al.		
5,289,357	A		2/1994	Fabbri		
5,440,467	A		8/1995	Lautzenheiser		
5,530,628	A		6/1996	Ngai		
5,626,084	A		5/1997	Kelly et al.		
5,658,067	A		8/1997	Engle et al.		

FIG. 1 is a perspective view showing the front, bottom, and side of the low profile task light of the present invention; FIG. 2 is an elevational view of the front of the low profile task light of the present invention; FIG. 3 is an elevational view of the first side of the low profile task light of the present invention; FIG. 4 is an elevational view of the rear of the low profile task light of the present invention; FIG. 5 is a plan view of the top of the low profile task light of the present invention; and, FIG. 6 is a plan view of the bottom of the low profile task light of the present invention.

The first side elevational view shown in FIG. 3 is a mirror image of the opposite side of the low profile task light of the present invention.

The broken lines shown on the drawings are for illustrative purposes only and form no part of the claimed design.

1 Claim, 3 Drawing Sheets



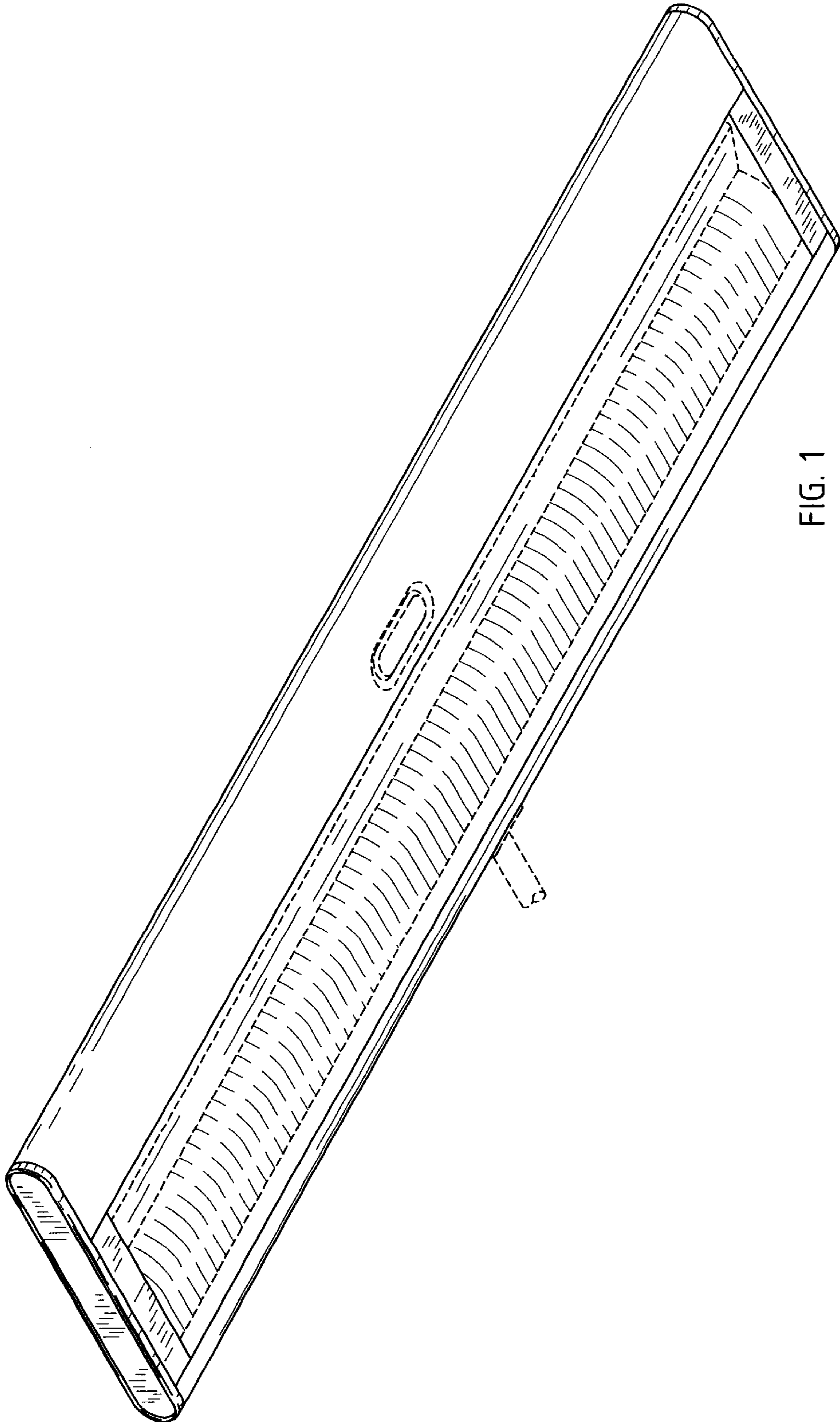


FIG. 1

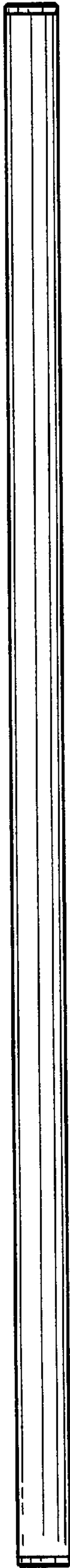


FIG. 2

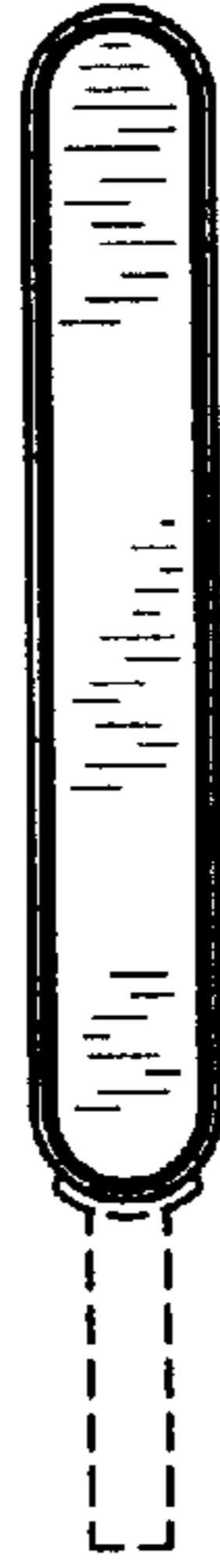


FIG. 3



FIG. 4

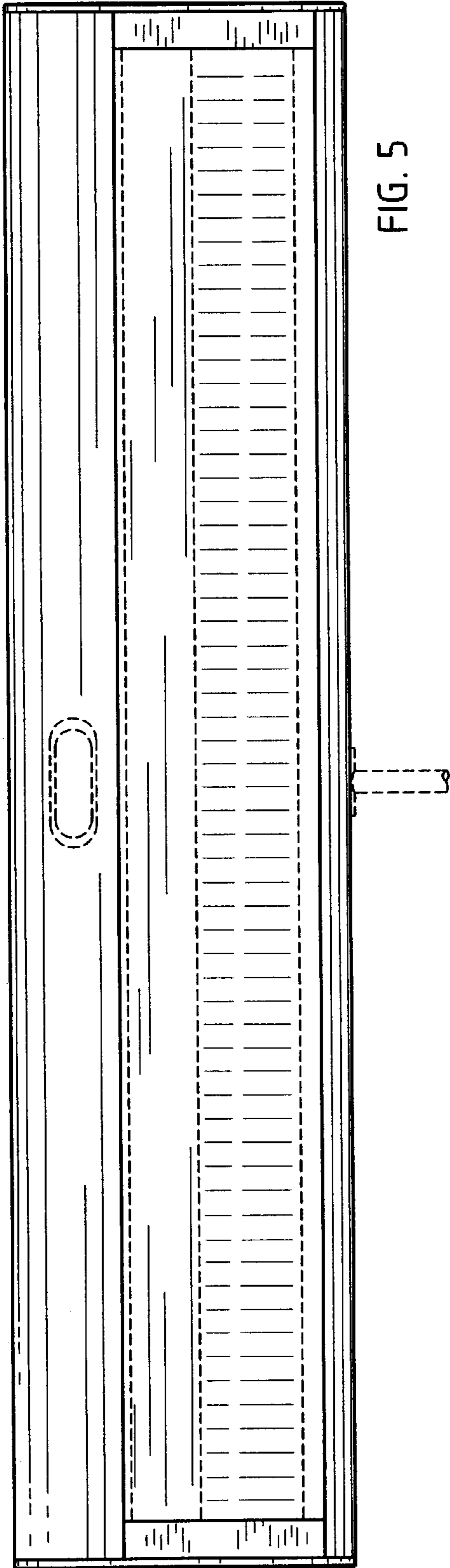


FIG. 5

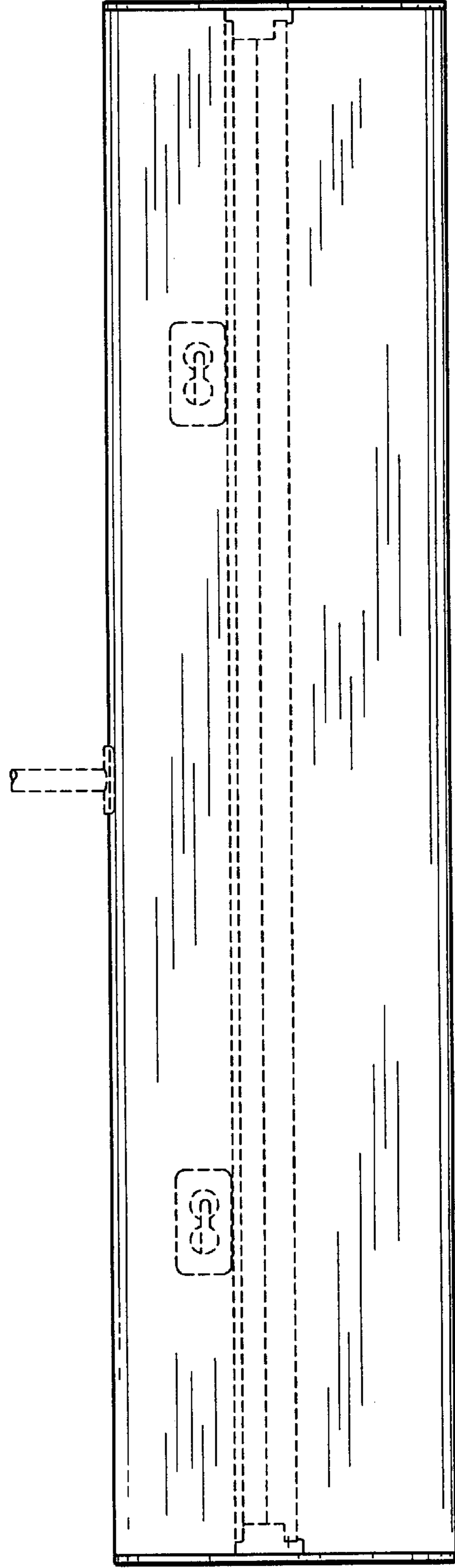


FIG. 6