



US00D481481S

(12) **United States Design Patent**
Reiss et al.

(10) **Patent No.:** **US D481,481 S**

(45) **Date of Patent:** **** Oct. 28, 2003**

(54) **AUTOMOBILE LAMP**

D477,431 S * 7/2003 Lin D26/28

(75) Inventors: **Benoit M. Reiss**, Columbus, IN (US);
David D. Egly, Columbus, IN (US);
Lawrence H. Boxler, Columbus, IN
(US); **Matthew S. Colip**, Columbus, IN
(US); **Kevin D. Koons**, Seymour, IN
(US); **Robert L. King**, Seymour, IN
(US)

* cited by examiner

Primary Examiner—Marcus A. Jackson
(74) *Attorney, Agent, or Firm*—William E. Meyer

(73) Assignee: **Valeo Sylvania LLC**, Seymour, IN
(US)

(57) **CLAIM**

The ornamental design for an automobile lamp, as shown and described.

(**) Term: **14 Years**

DESCRIPTION

(21) Appl. No.: **29/180,643**

FIG. 1 is a perspective view of a right side rear automobile lamp illustrating the new design;
FIG. 2 is a rear view thereof;
FIG. 3 is a right side view thereof;
FIG. 4 is a top view thereof; and,
FIG. 5 is a perspective view of a corresponding, left side rear automobile lamp illustrating the new design.

(22) Filed: **Apr. 25, 2003**

(51) **LOC (7) Cl.** **26-06**

(52) **U.S. Cl.** **D26/28**

(58) **Field of Search** D26/28–36; 362/61,
362/80, 81, 82, 83, 83.4, 267, 269, 275,
330–340

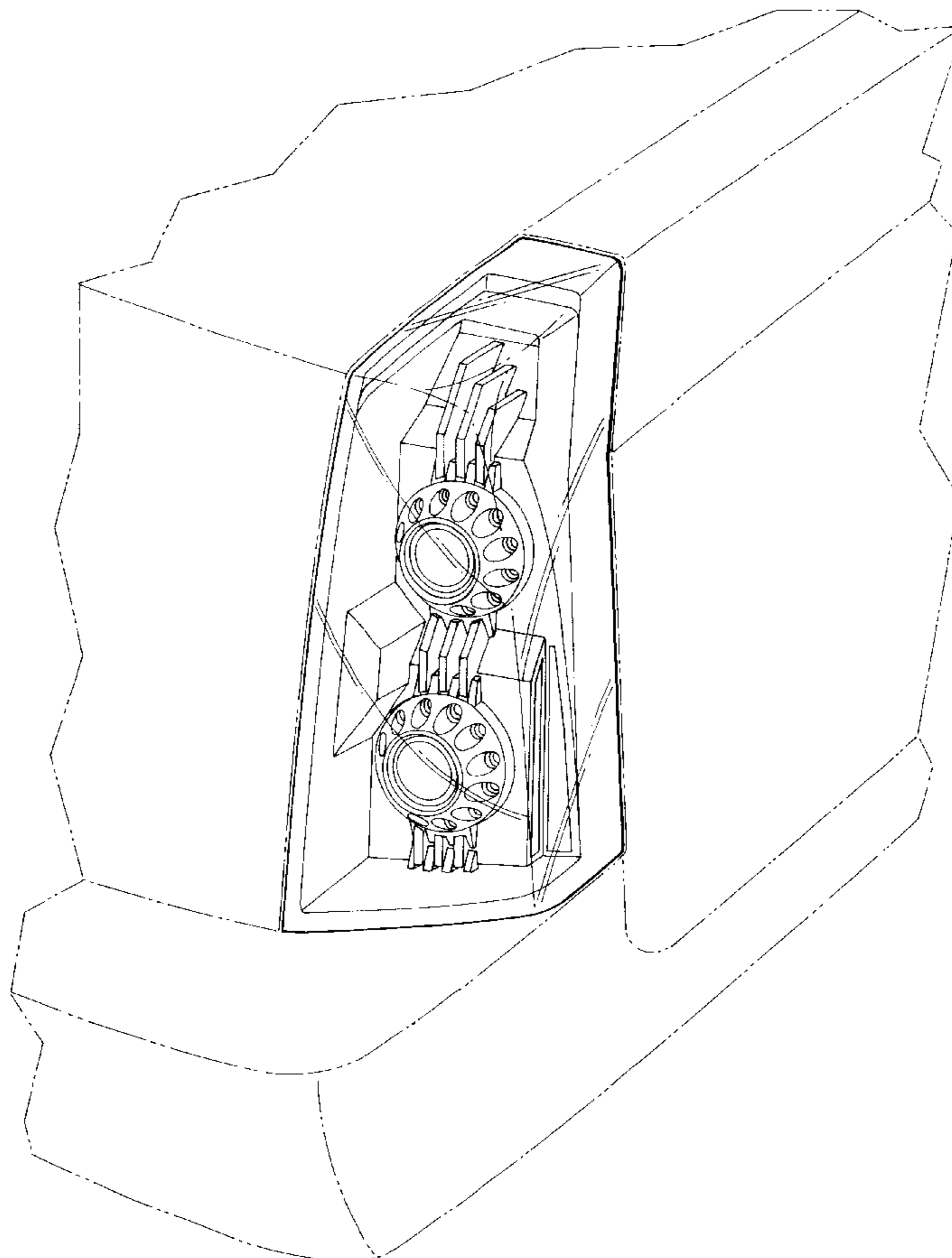
The lamp may have a right-hand, FIGS. 1 to 4, or a left-hand, FIG. 5, form. In all of the foregoing drawings, dashed lines indicate the environmental outline a vehicle retaining the lamp. Sides not shown are not seen in use and do not bear ornamental features.

(56) **References Cited**

U.S. PATENT DOCUMENTS

D476,435 S * 6/2003 Lin D26/28

1 Claim, 5 Drawing Sheets



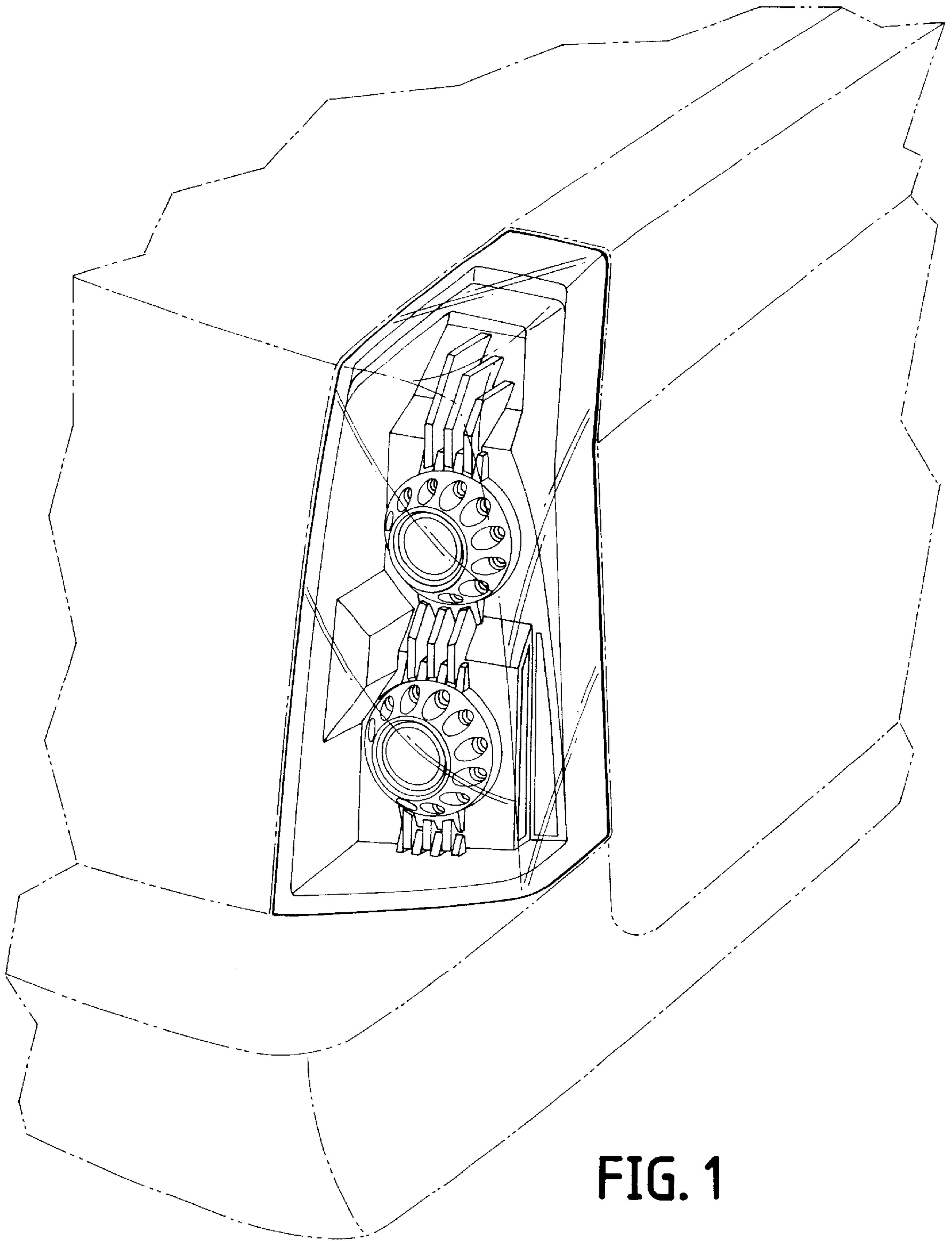


FIG. 1

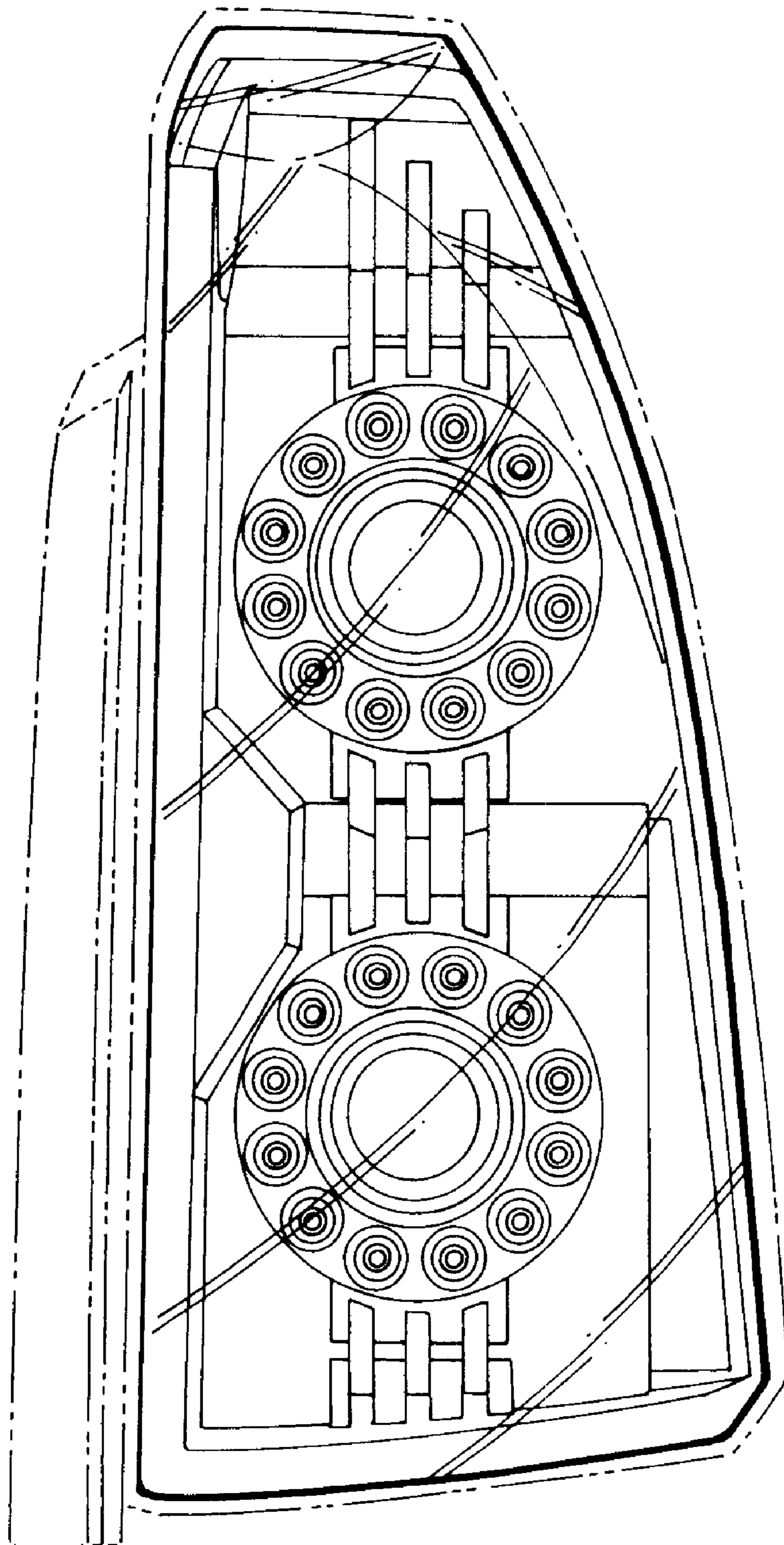


FIG. 2

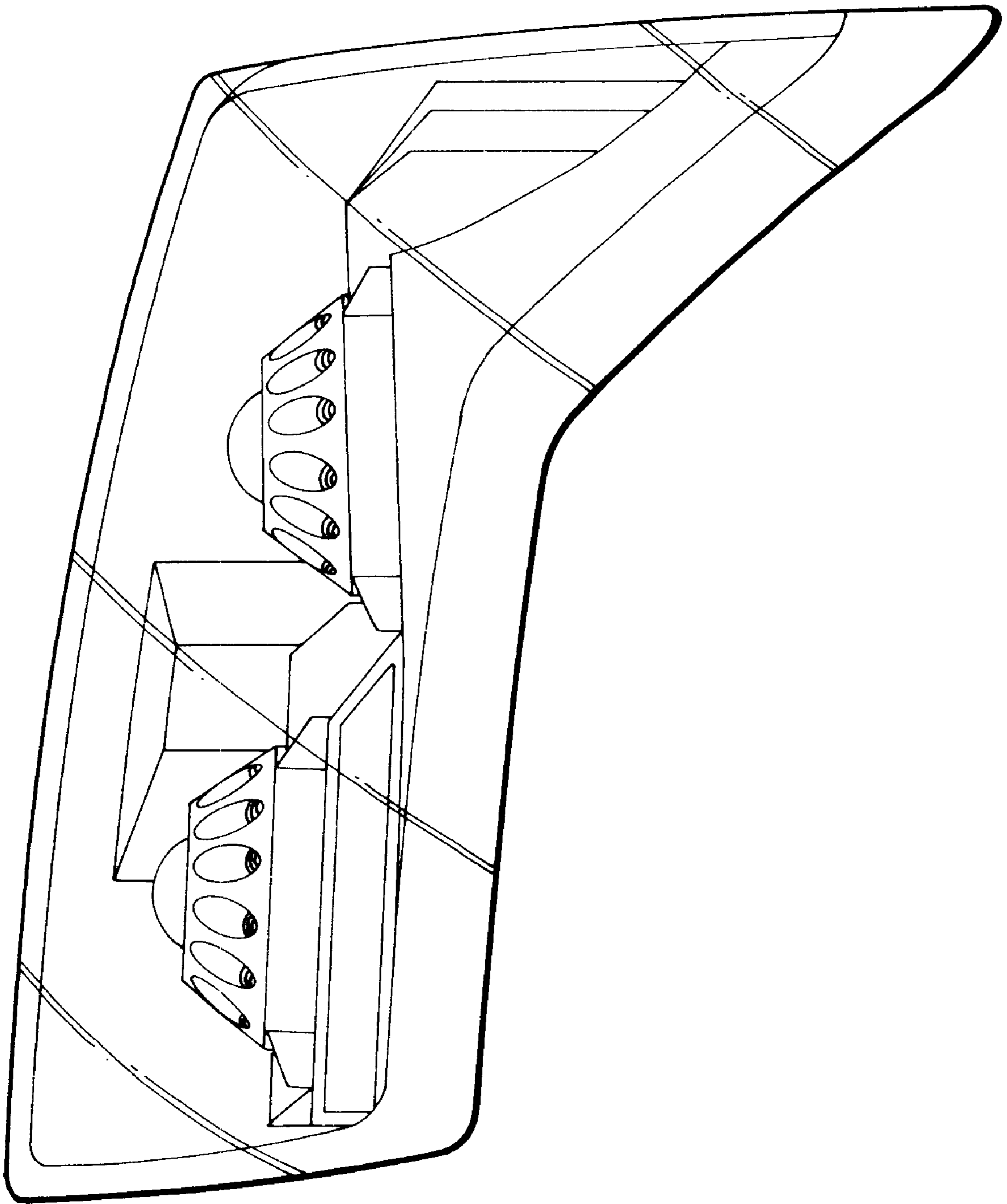


FIG. 3

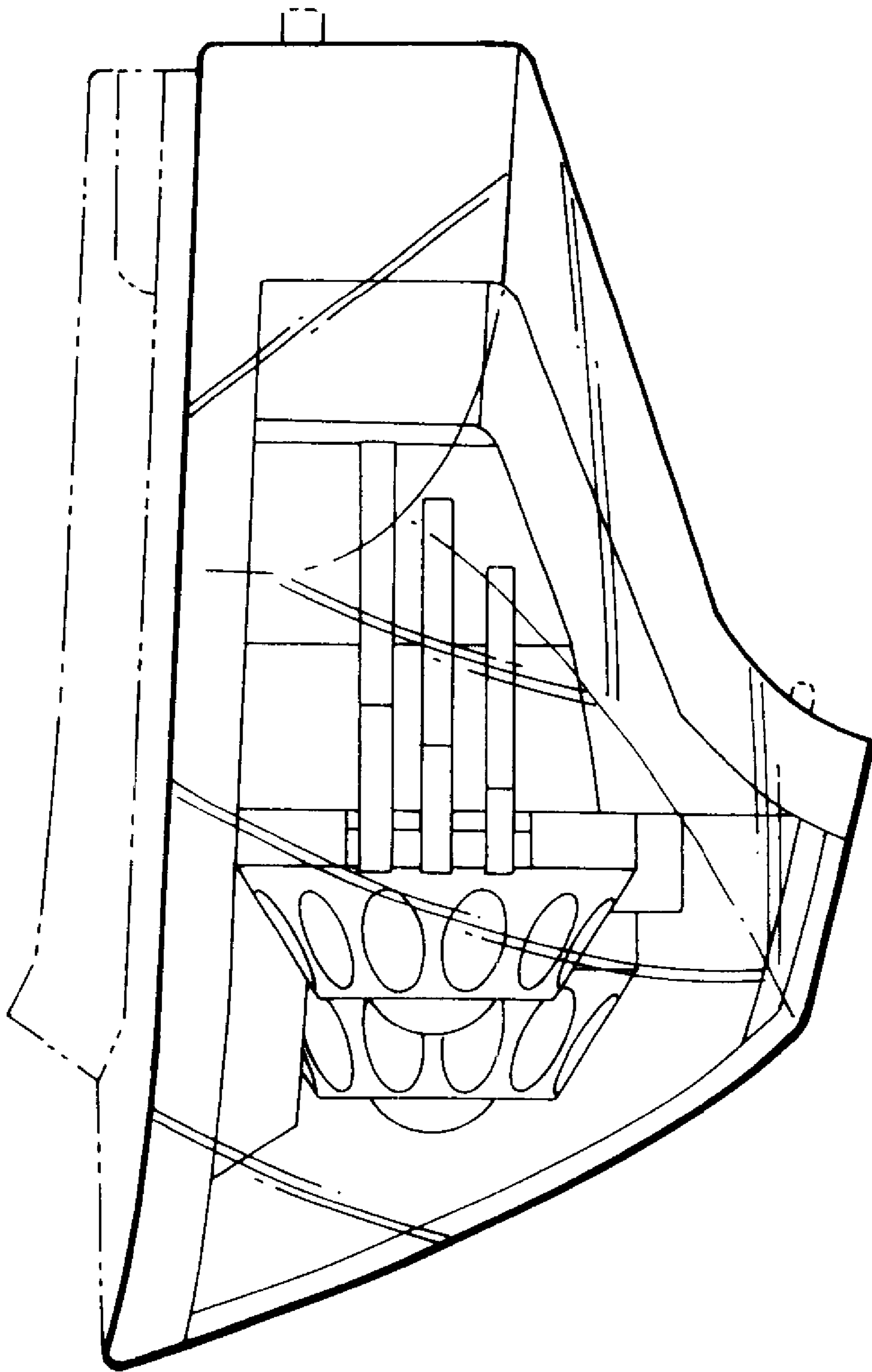


FIG. 4

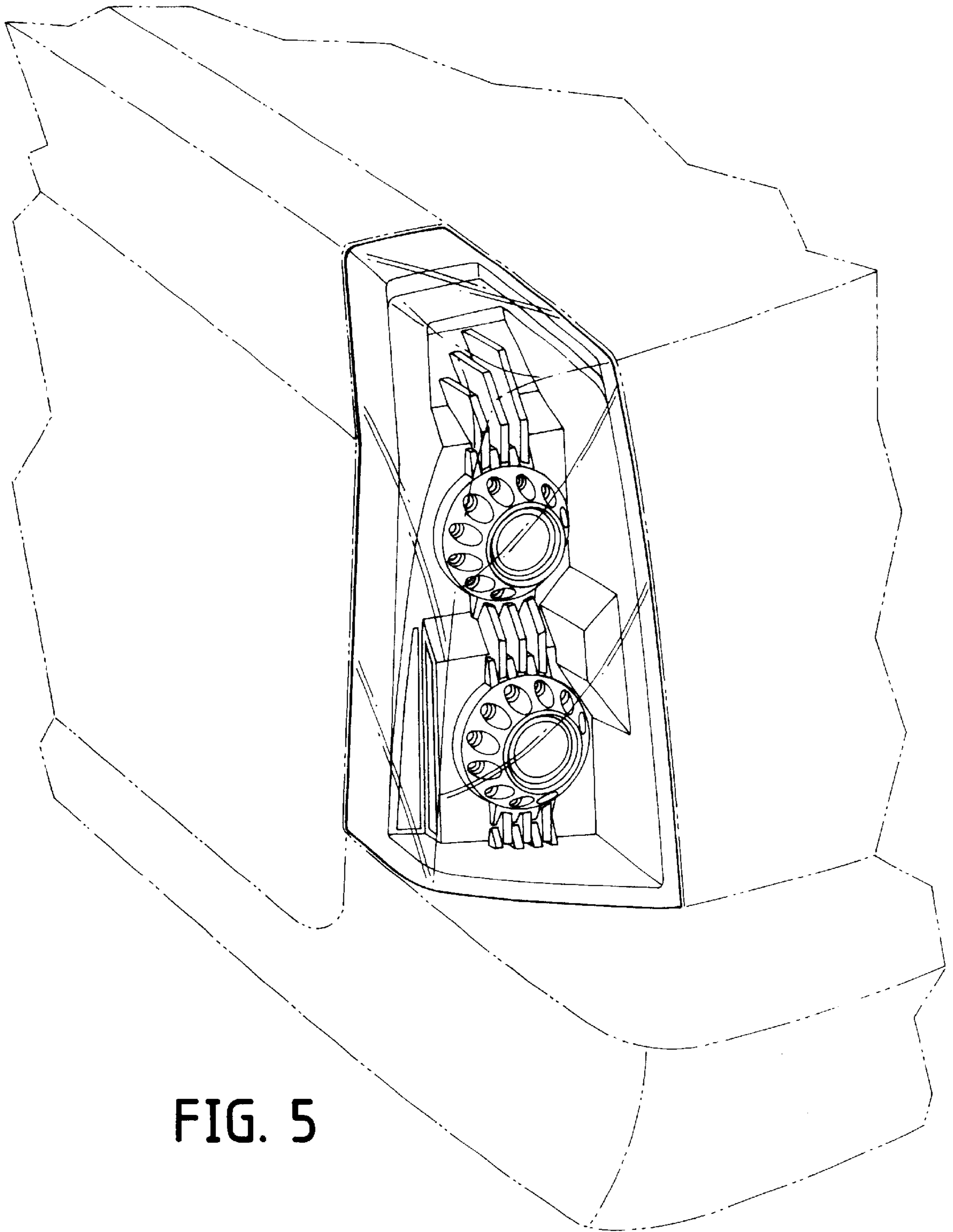


FIG. 5