



US00D481480S

(12) **United States Design Patent**
Lin

(10) **Patent No.:** **US D481,480 S**

(45) **Date of Patent:** **** Oct. 28, 2003**

(54) **VEHICLE REAR LIGHT**

D470,614 S * 2/2003 Chuang et al. D26/28

(76) Inventor: **Yu-Chu Lin**, No. 477, Chung Shan N.
Rd., Yung Kang City, Tainan Hsien
(TW)

* cited by examiner

Primary Examiner—Marcus A. Jackson
(74) *Attorney, Agent, or Firm*—Rosenberg, Klein & Lee

(**) Term: **14 Years**

(57) **CLAIM**

(21) Appl. No.: **29/176,989**

The ornamental design for a vehicle rear light, as shown and described.

(22) Filed: **Mar. 4, 2003**

DESCRIPTION

(51) **LOC (7) Cl.** **26-06**

(52) **U.S. Cl.** **D26/28**

(58) **Field of Search** D26/28–36; 362/61,
362/80, 81, 82, 83, 83.3, 267, 269, 330–340

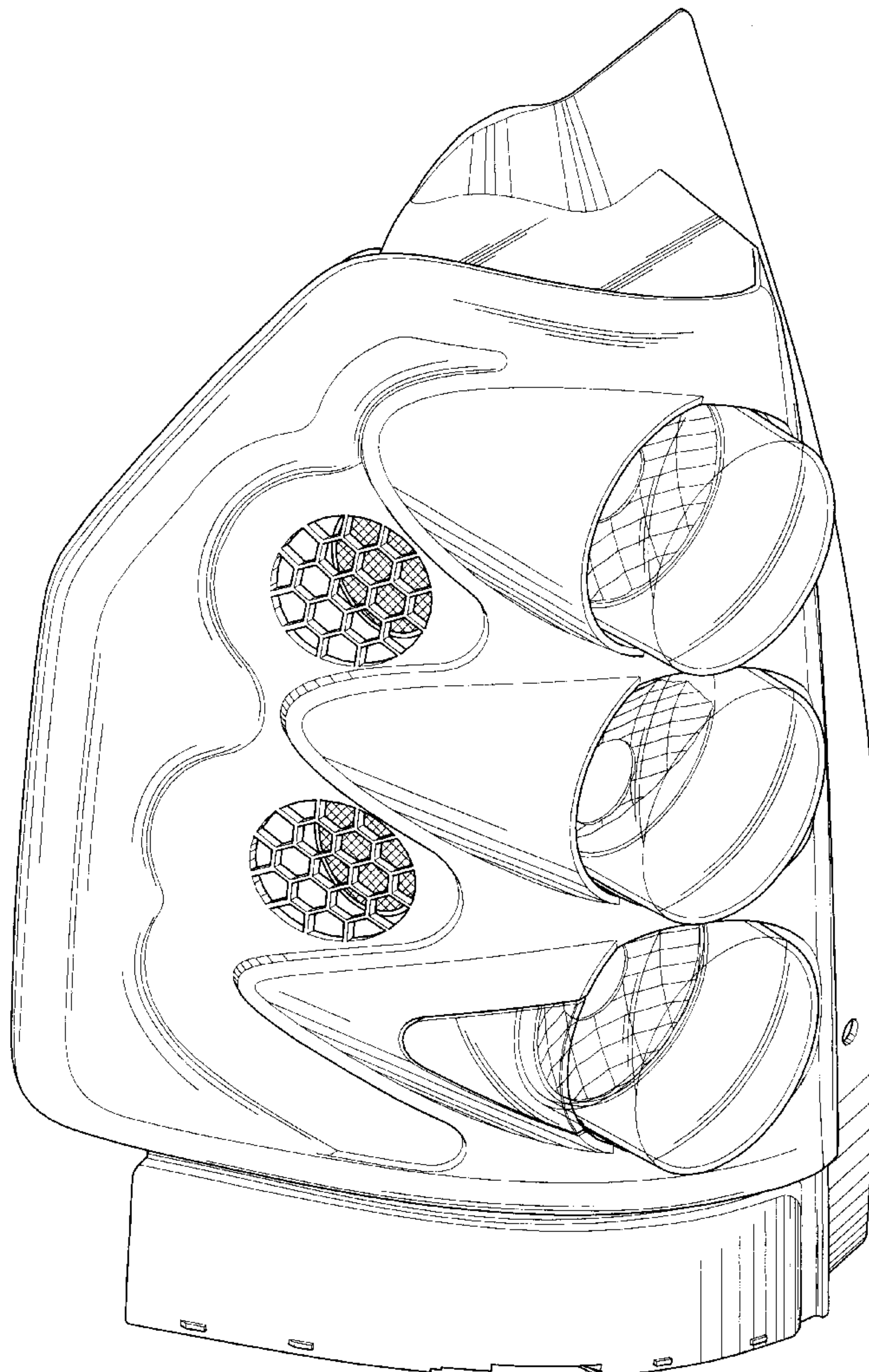
FIG. 1 is a perspective view of a vehicle rear light showing my present design;
FIG. 2 is a front view thereof;
FIG. 3 is a rear view thereof;
FIG. 4 is a left view thereof;
FIG. 5 is a right view thereof;
FIG. 6 is a top plan view thereof; and,
FIG. 7 is a bottom plan view.

(56) **References Cited**

U.S. PATENT DOCUMENTS

- D458,701 S * 6/2002 Horowitz D26/28
- D464,748 S * 10/2002 Horowitz D26/28
- D470,259 S * 2/2003 Horowitz D26/28

1 Claim, 7 Drawing Sheets



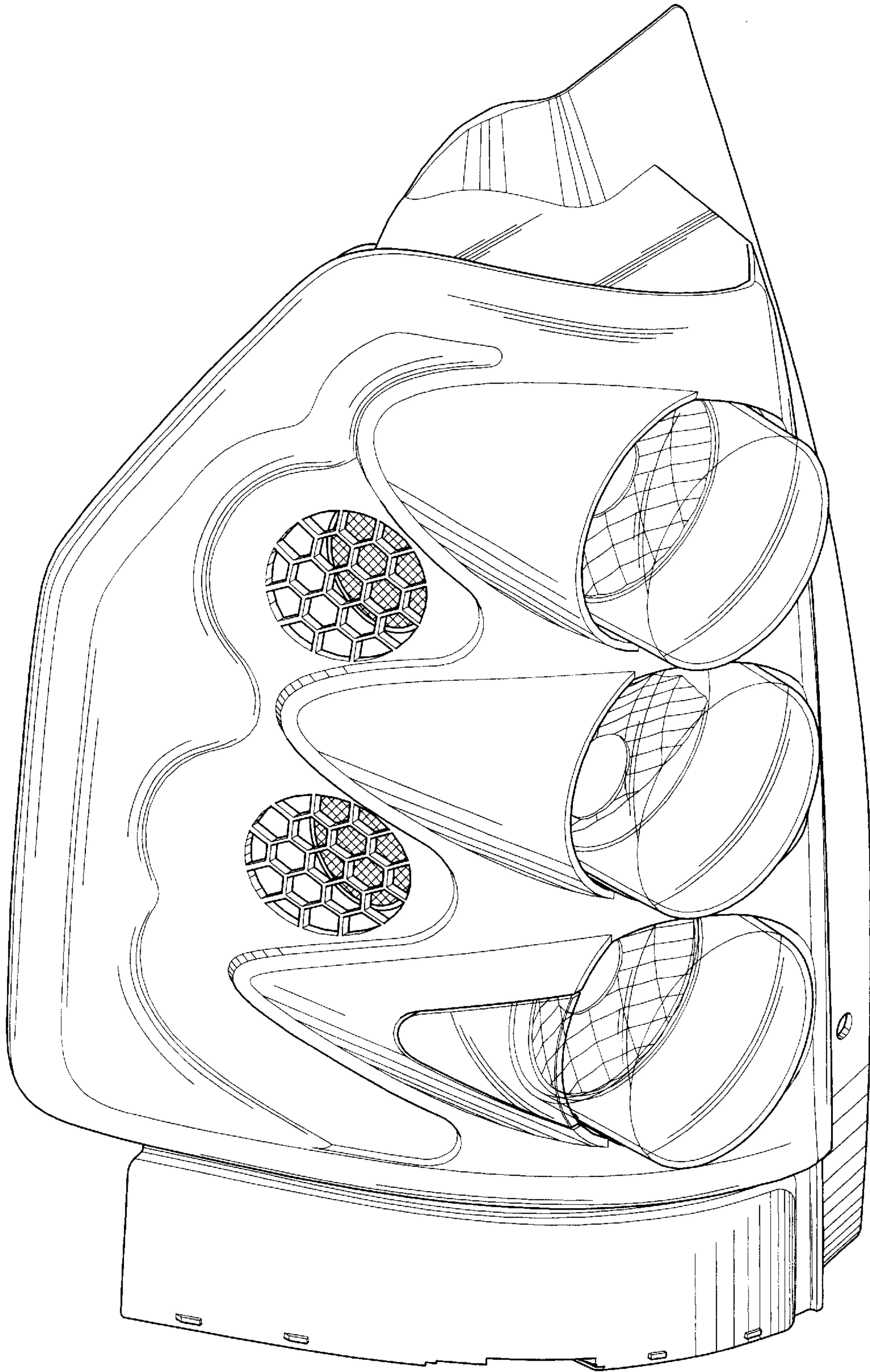


FIG. 1

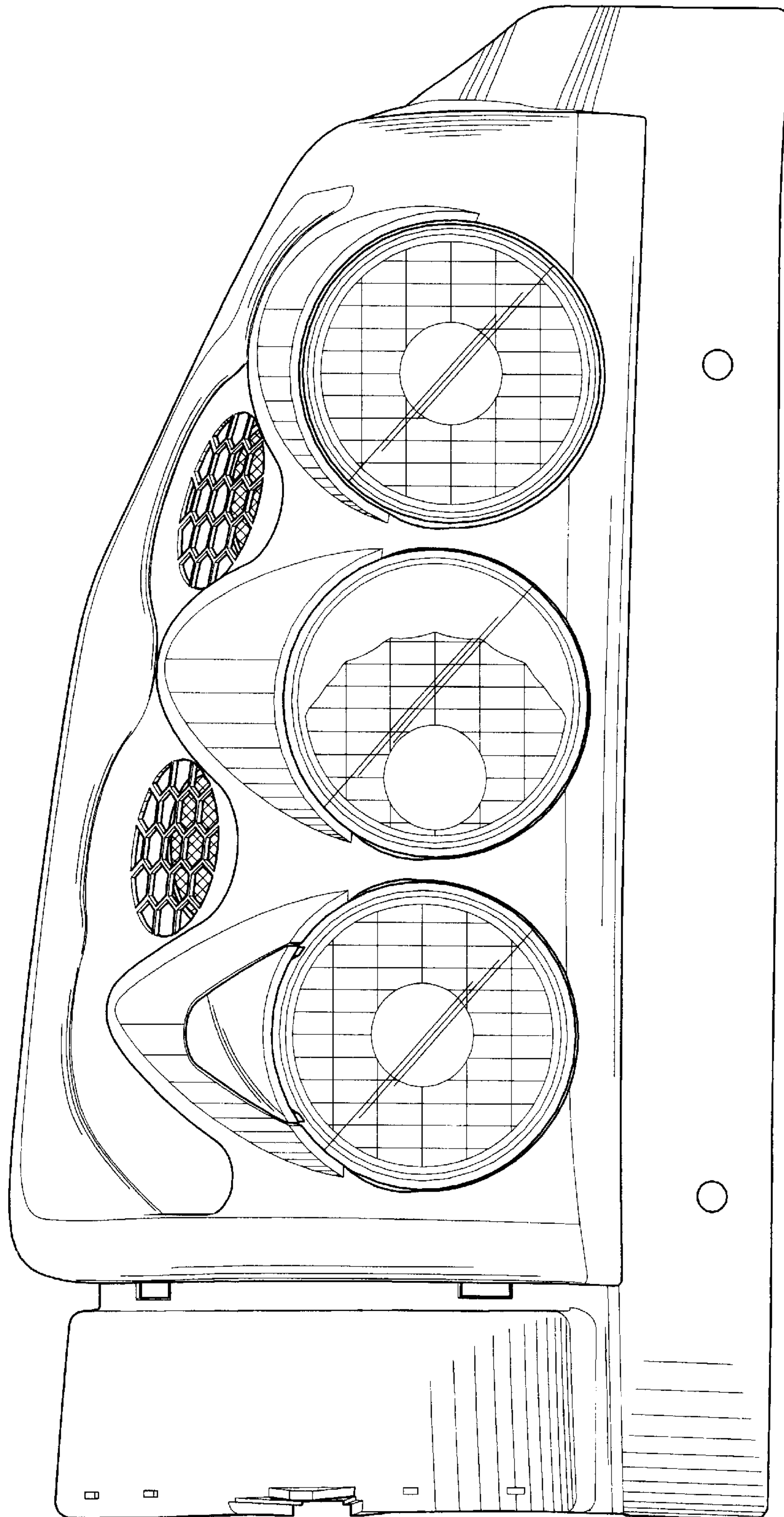


FIG. 2

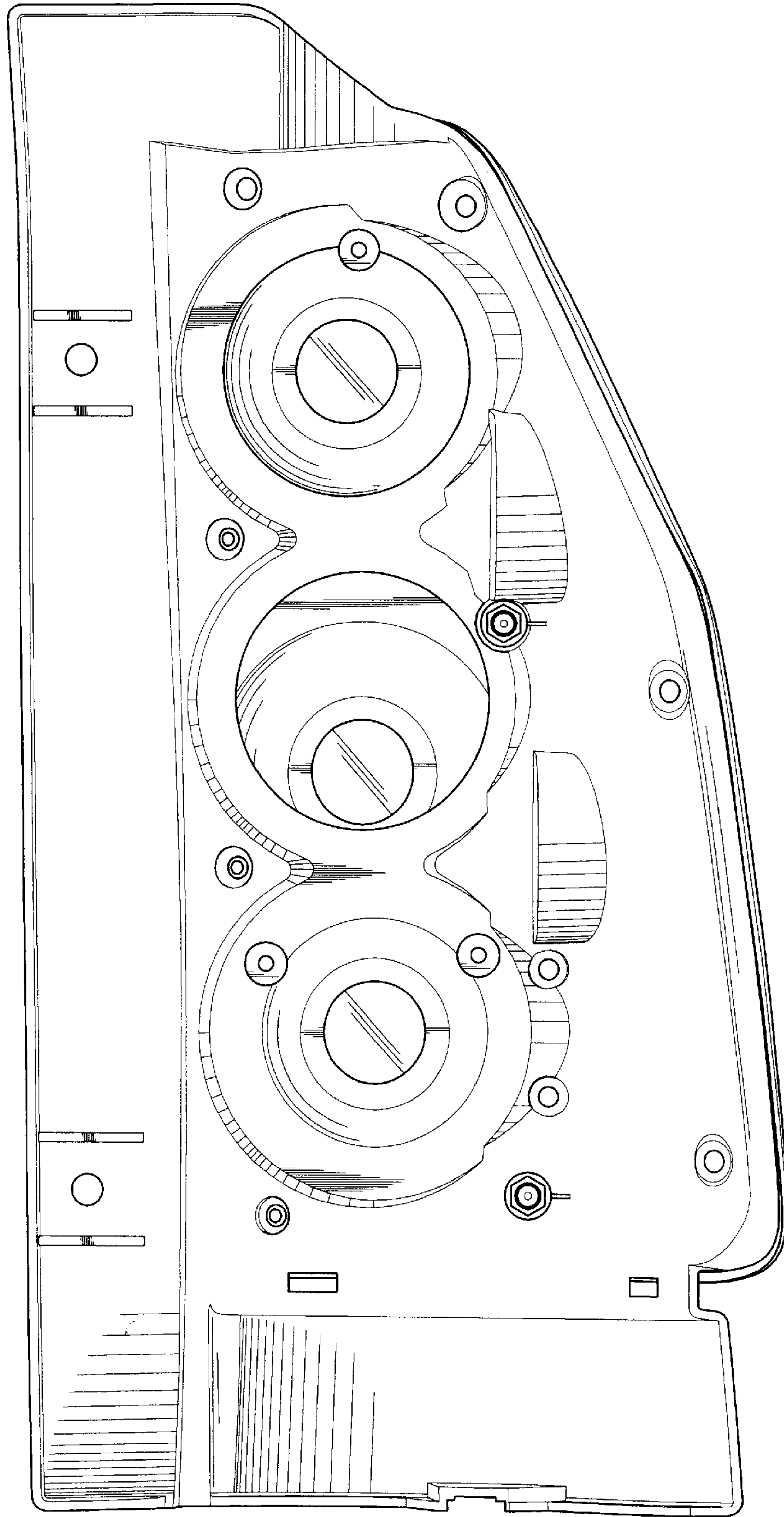


FIG. 3

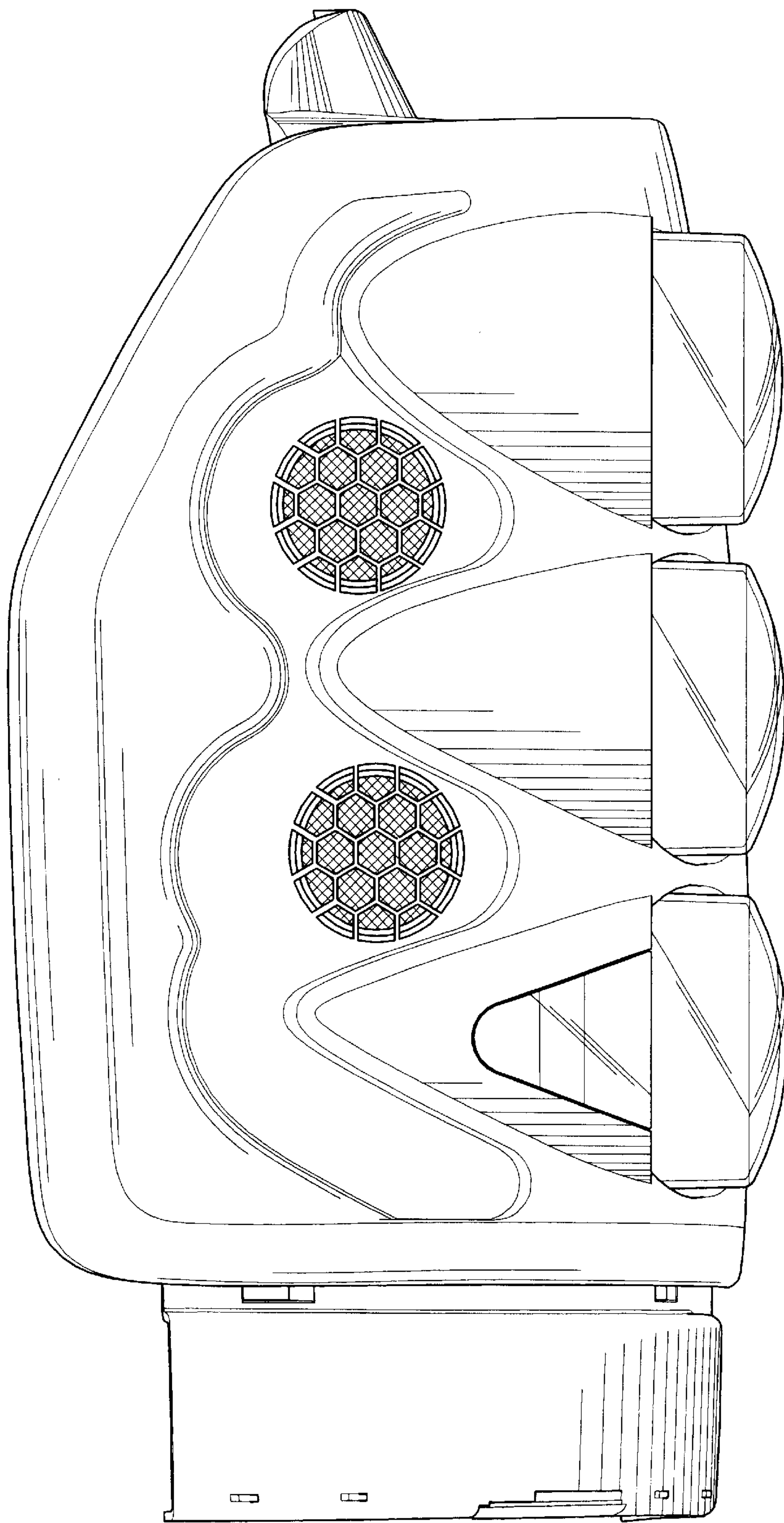


FIG. 4

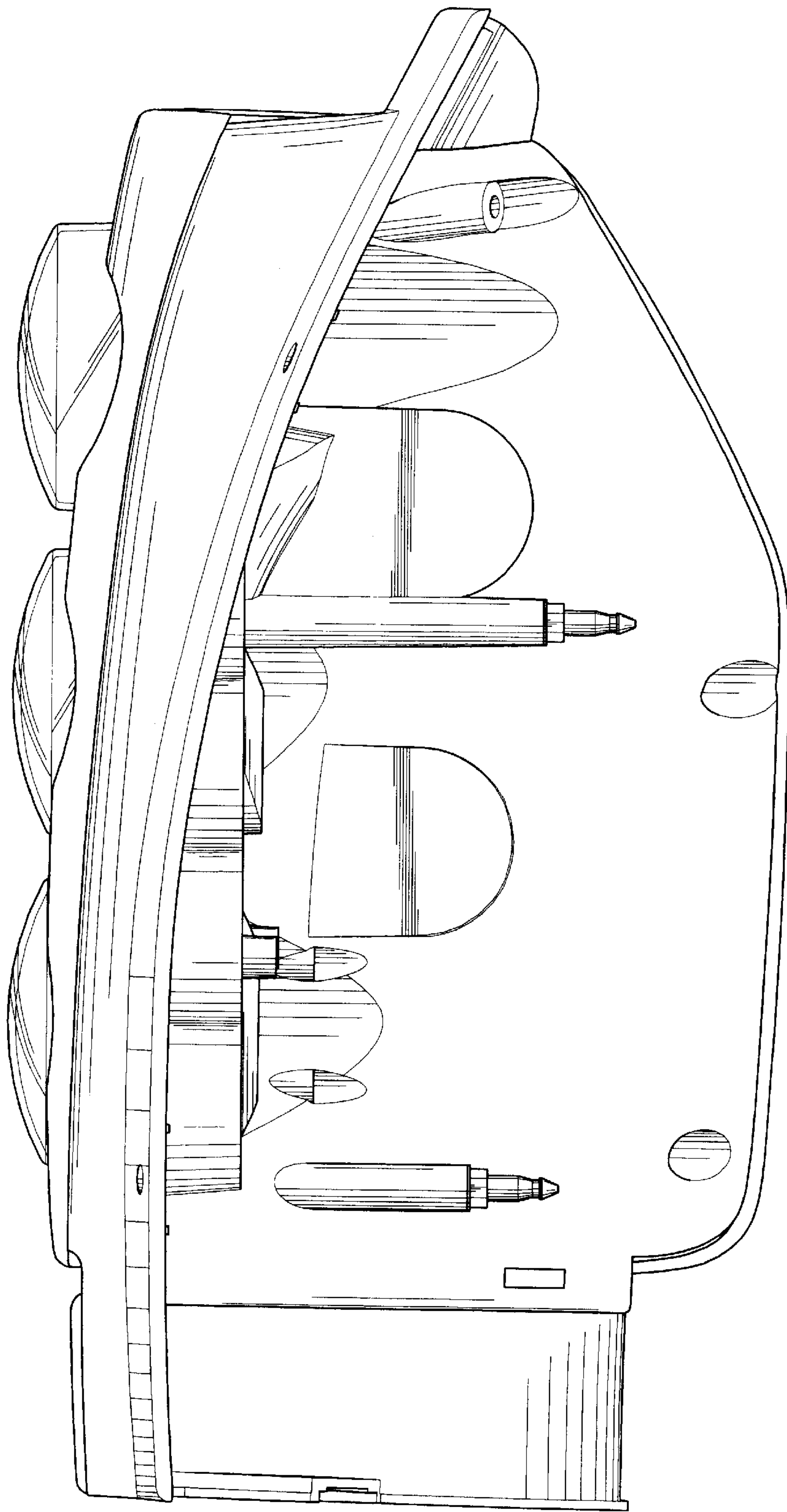


FIG. 5

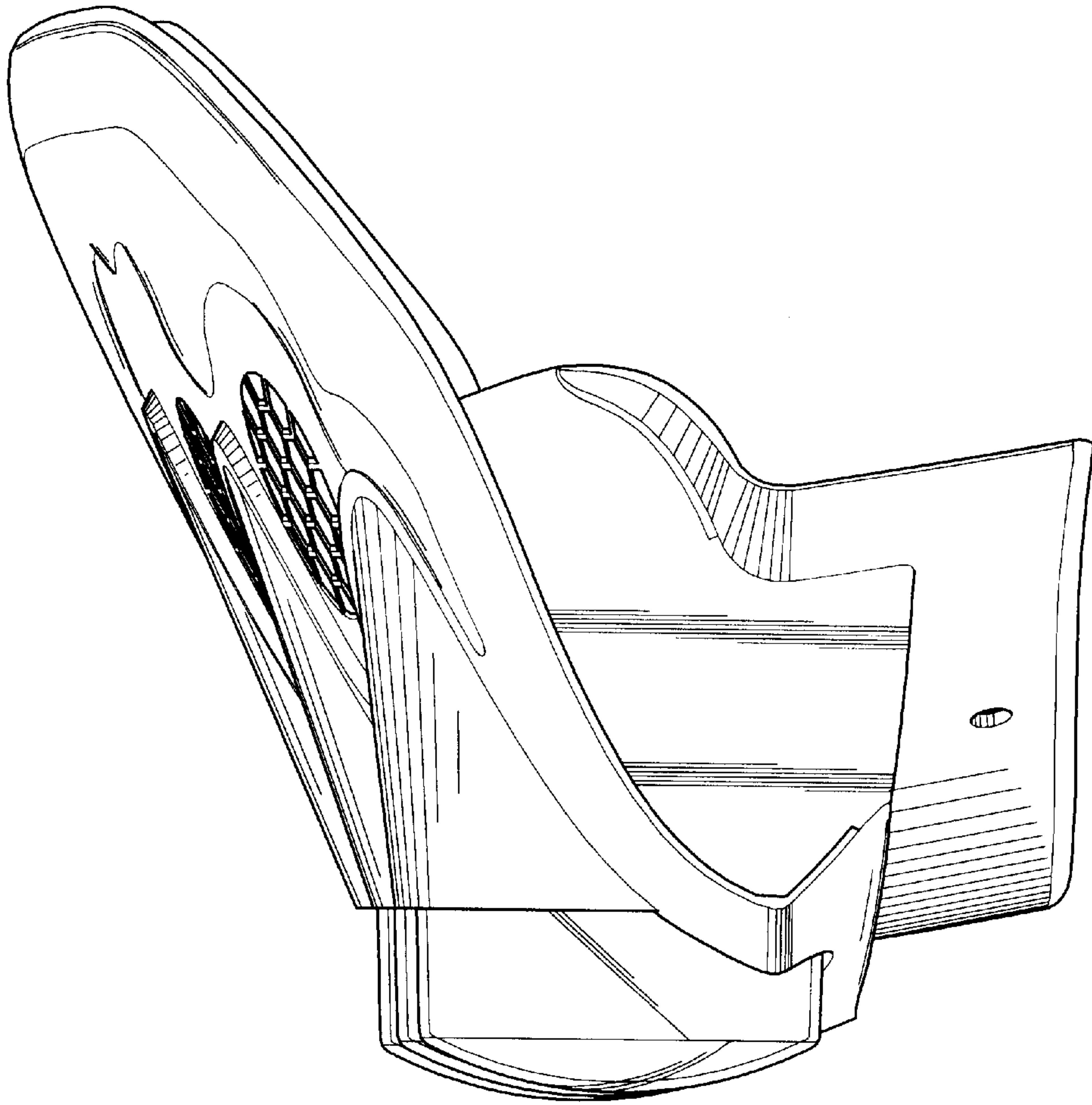


FIG . 6

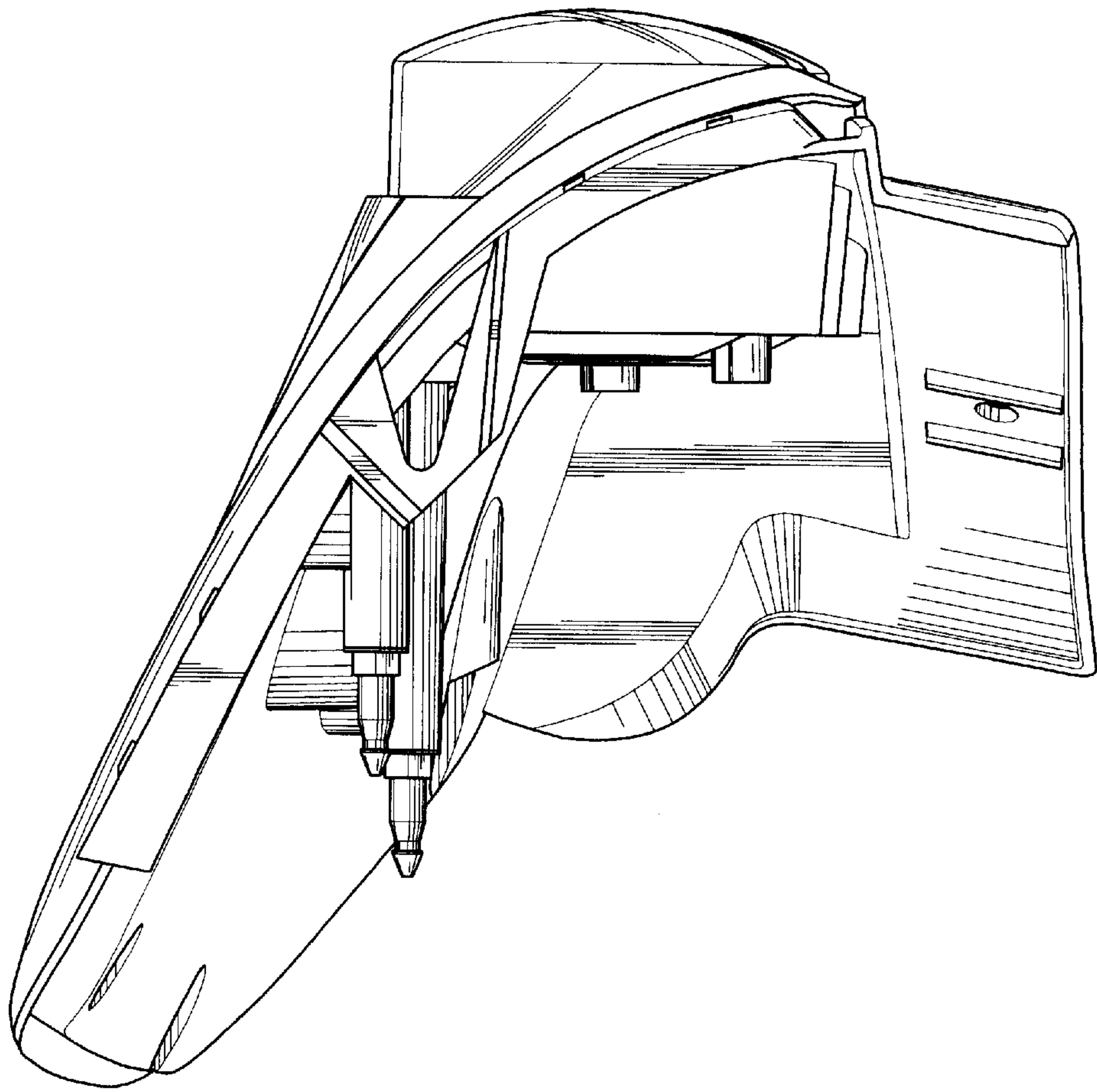


FIG. 7