



US00D481476S

(12) **United States Design Patent**
Liu

(10) **Patent No.:** **US D481,476 S**

(45) **Date of Patent:** **** Oct. 28, 2003**

(54) **AUTOMOBILE LIGHT**

D472,002 S * 3/2003 Chen et al. D26/28

(75) **Inventor:** **Yung-Ching Liu, Yung-Kang (TW)**

* cited by examiner

(73) **Assignee:** **TYC Brother Industrial Co., Ltd.,
Tainan (TW)**

Primary Examiner—Marcus A. Jackson

(74) *Attorney, Agent, or Firm*—Fitzpatrick, Cella, Harper & Scinto

(**) **Term:** **14 Years**

(57) **CLAIM**

(21) **Appl. No.:** **29/173,996**

The ornamental design for automobile light, as shown and described.

(22) **Filed:** **Jan. 10, 2003**

DESCRIPTION

(51) **LOC (7) Cl.** **26-06**

(52) **U.S. Cl.** **D26/28**

(58) **Field of Search** D26/28-36, 120,
D26/122; 362/61, 80, 81, 82, 83, 83.4,
267, 269, 275, 330-340

FIG. 1 is a perspective view of automobile light showing my new design;

FIG. 2 is a front elevational view thereof;

FIG. 3 is a rear elevational view thereof;

FIG. 4 is a left side elevational view thereof;

FIG. 5 is a right side elevational view thereof;

FIG. 6 is a top plan view thereof; and,

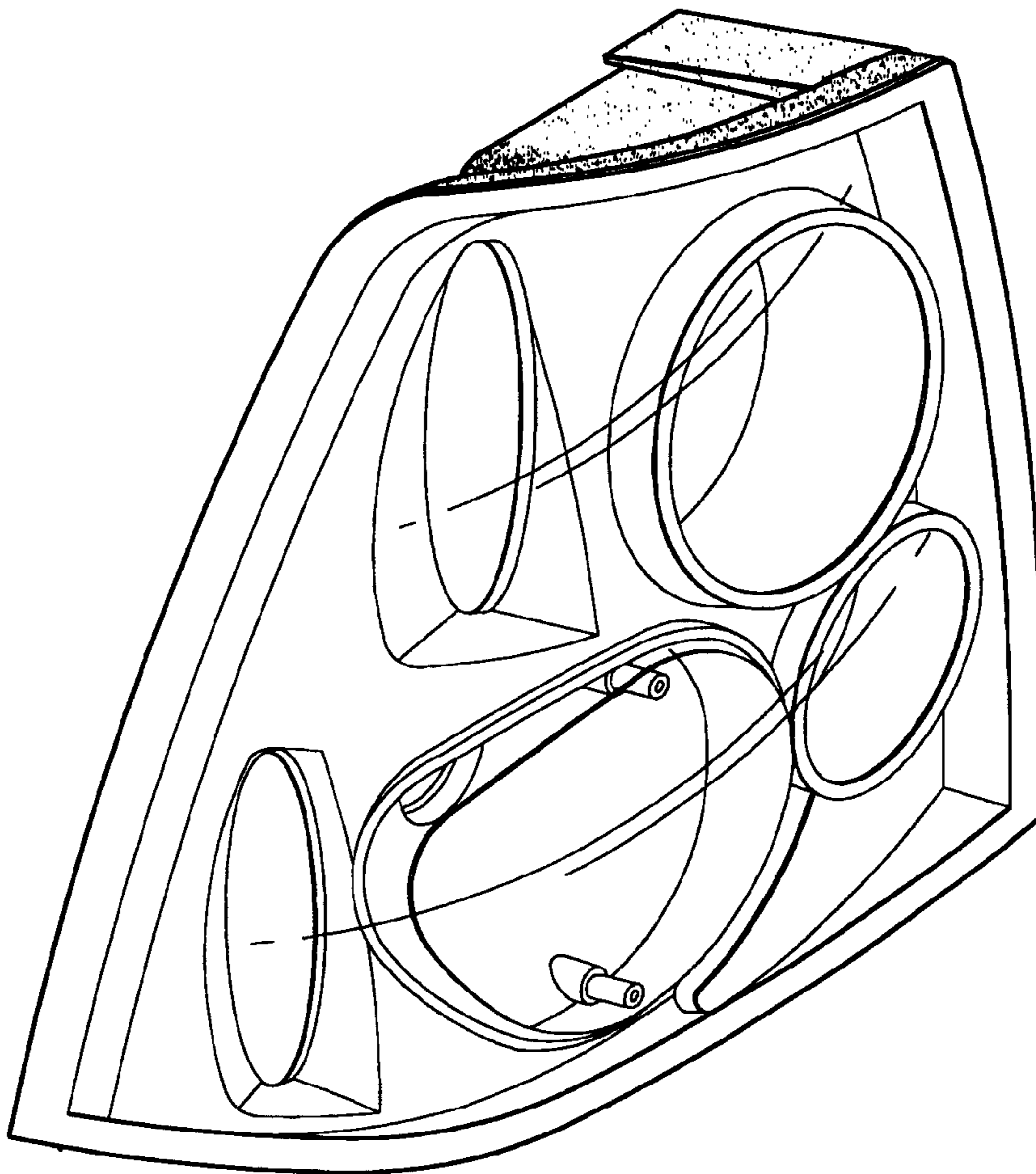
FIG. 7 is a bottom plan view thereof.

(56) **References Cited**

U.S. PATENT DOCUMENTS

D472,001 S * 3/2003 Pan et al. D26/28

1 Claim, 4 Drawing Sheets



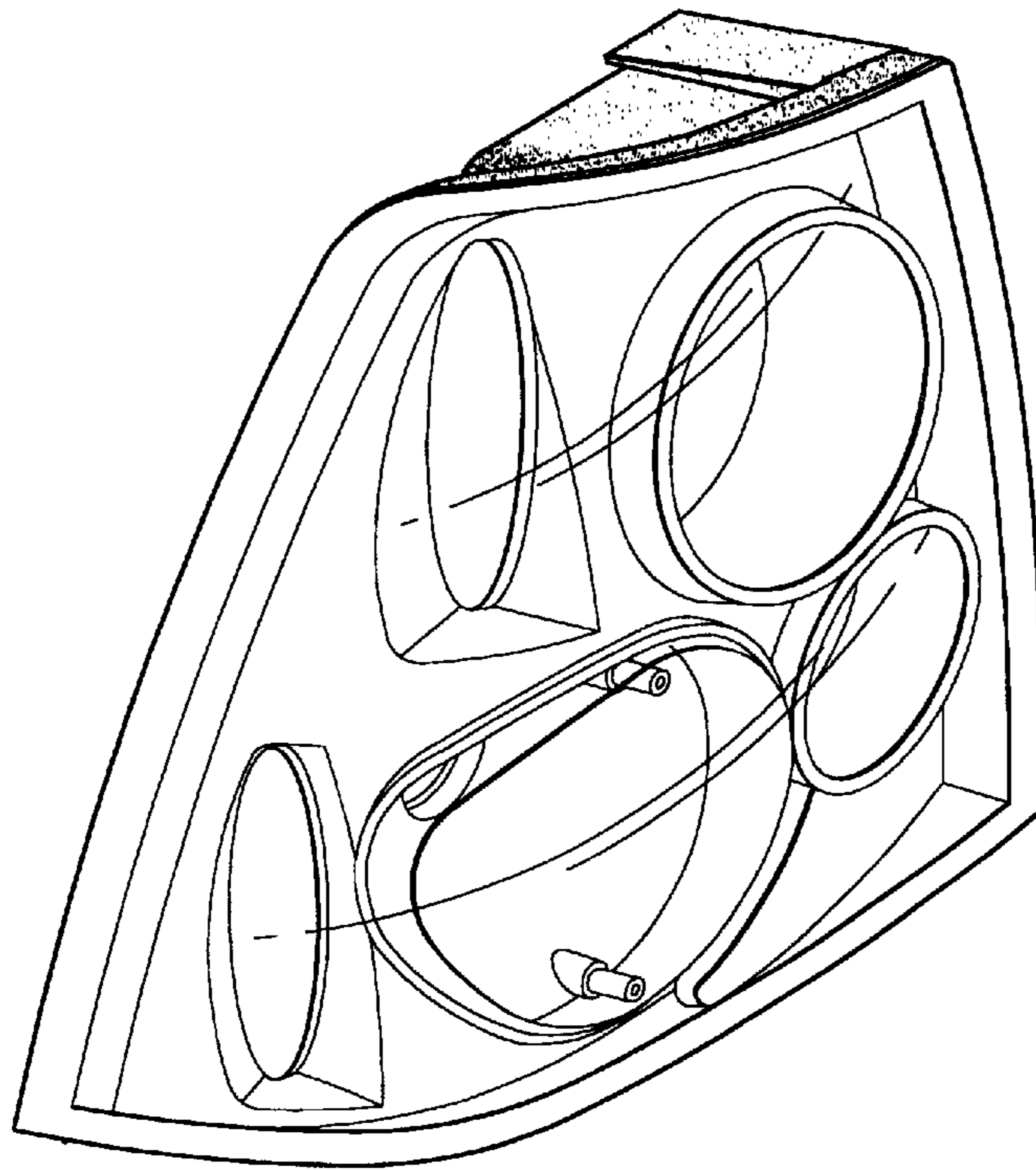


FIG. 1

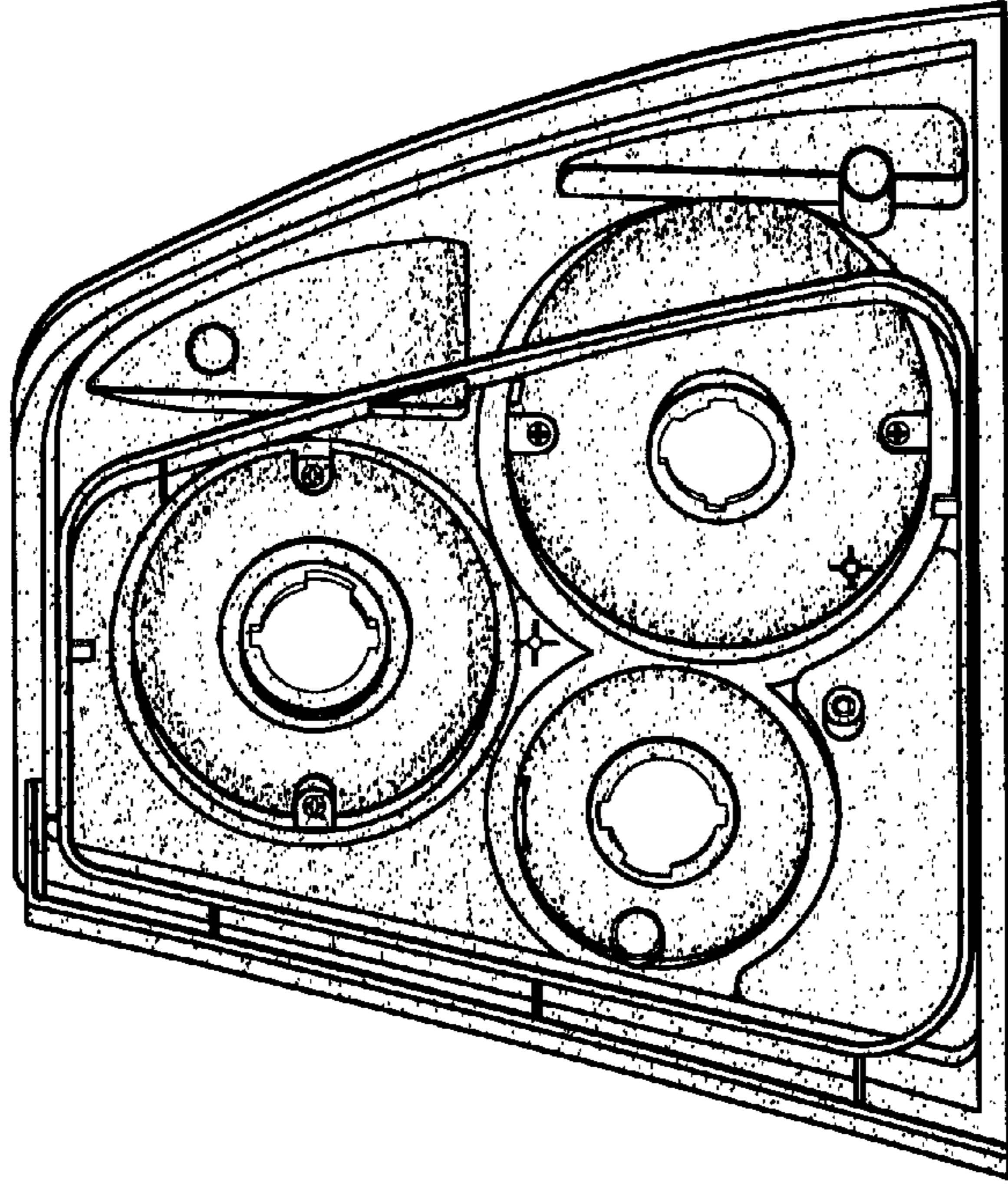


FIG. 3

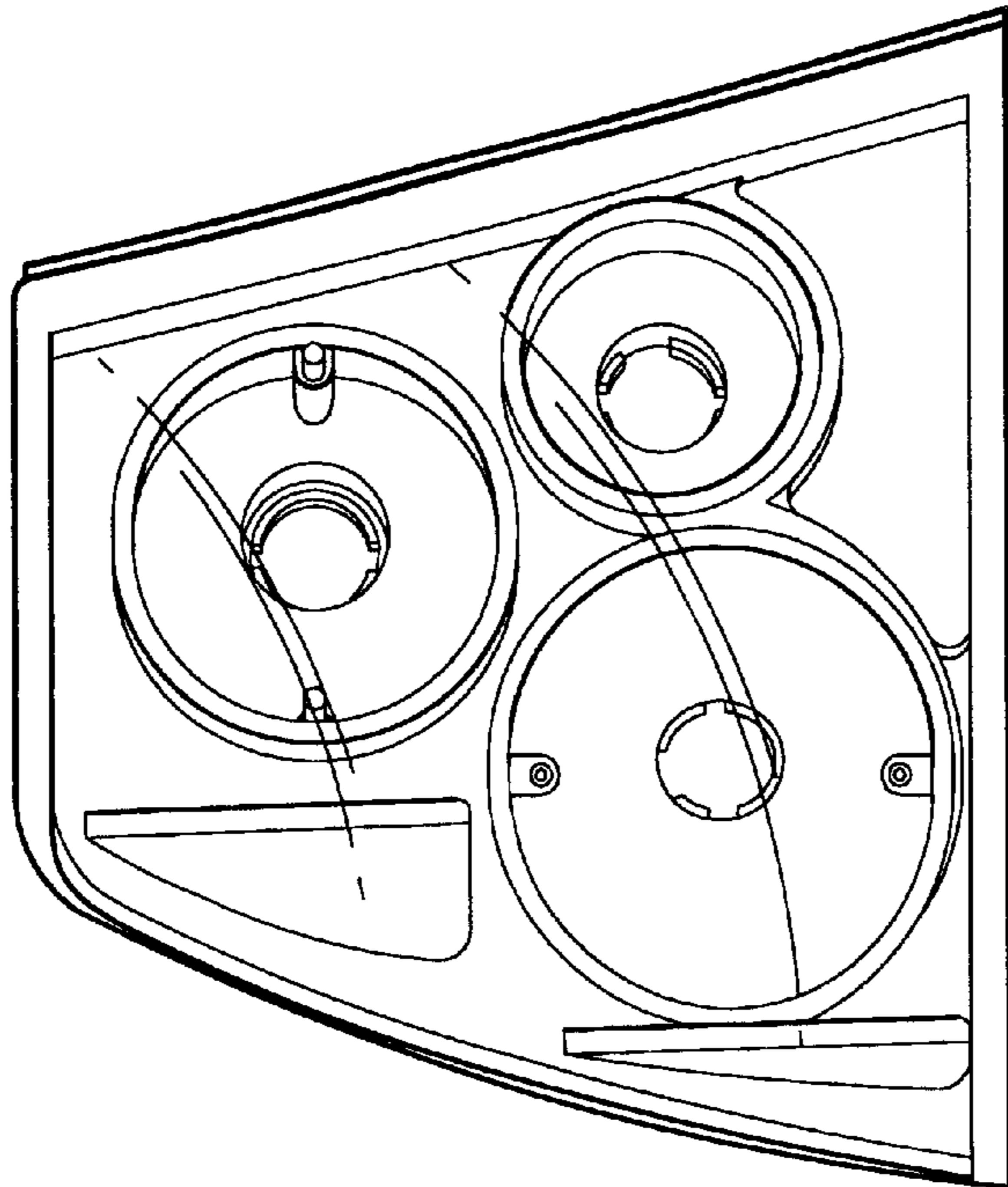


FIG. 2

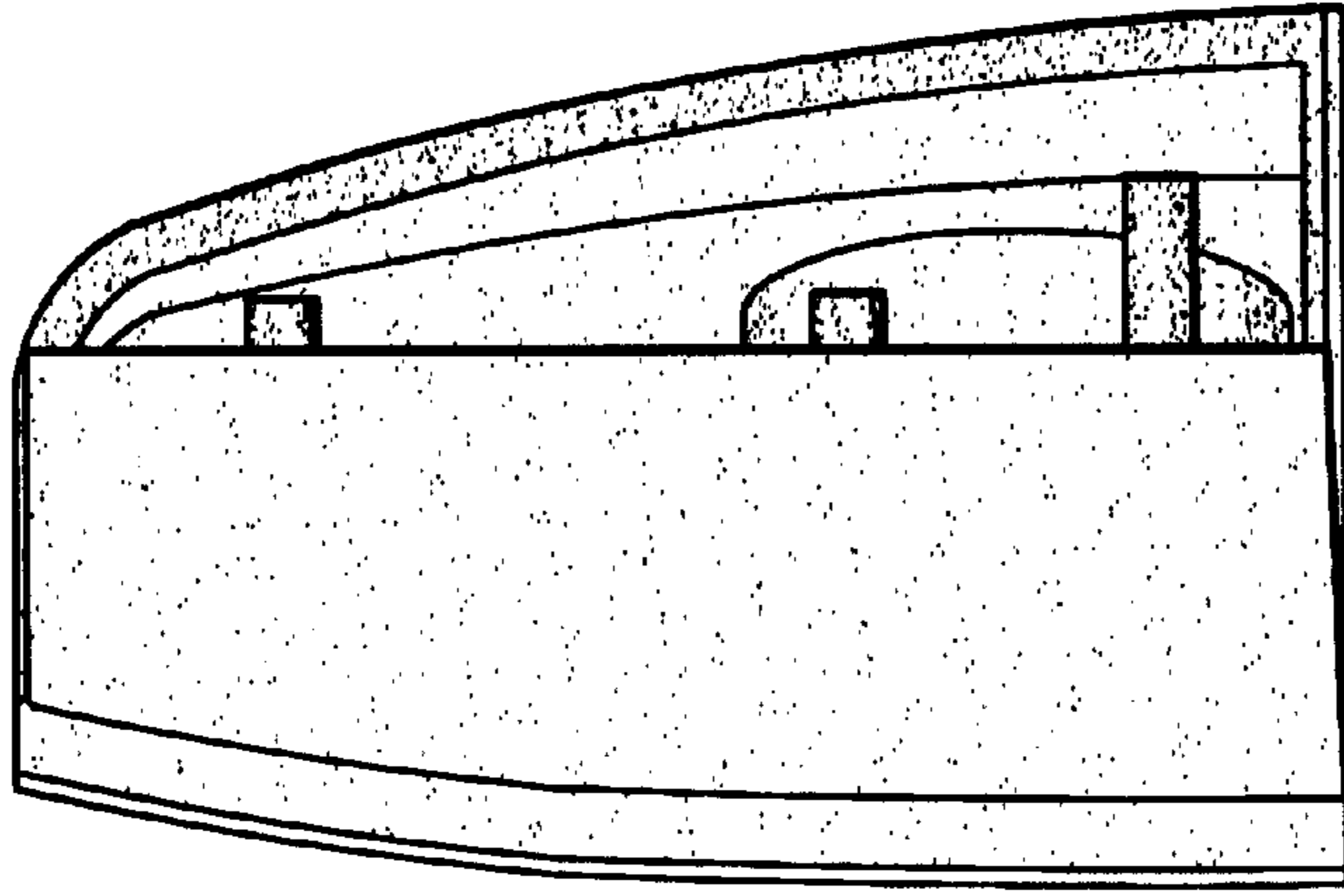


FIG. 5

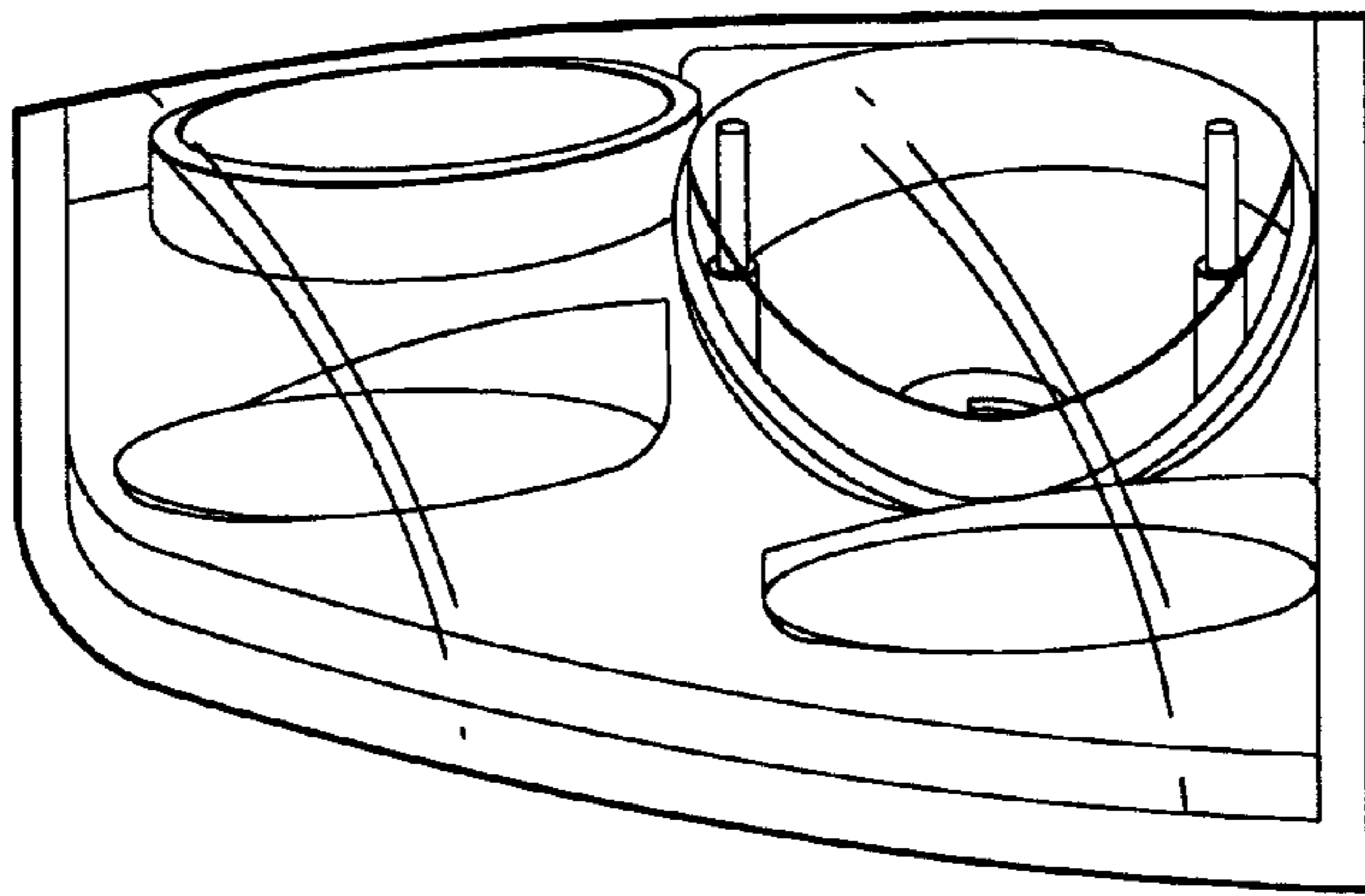


FIG. 4

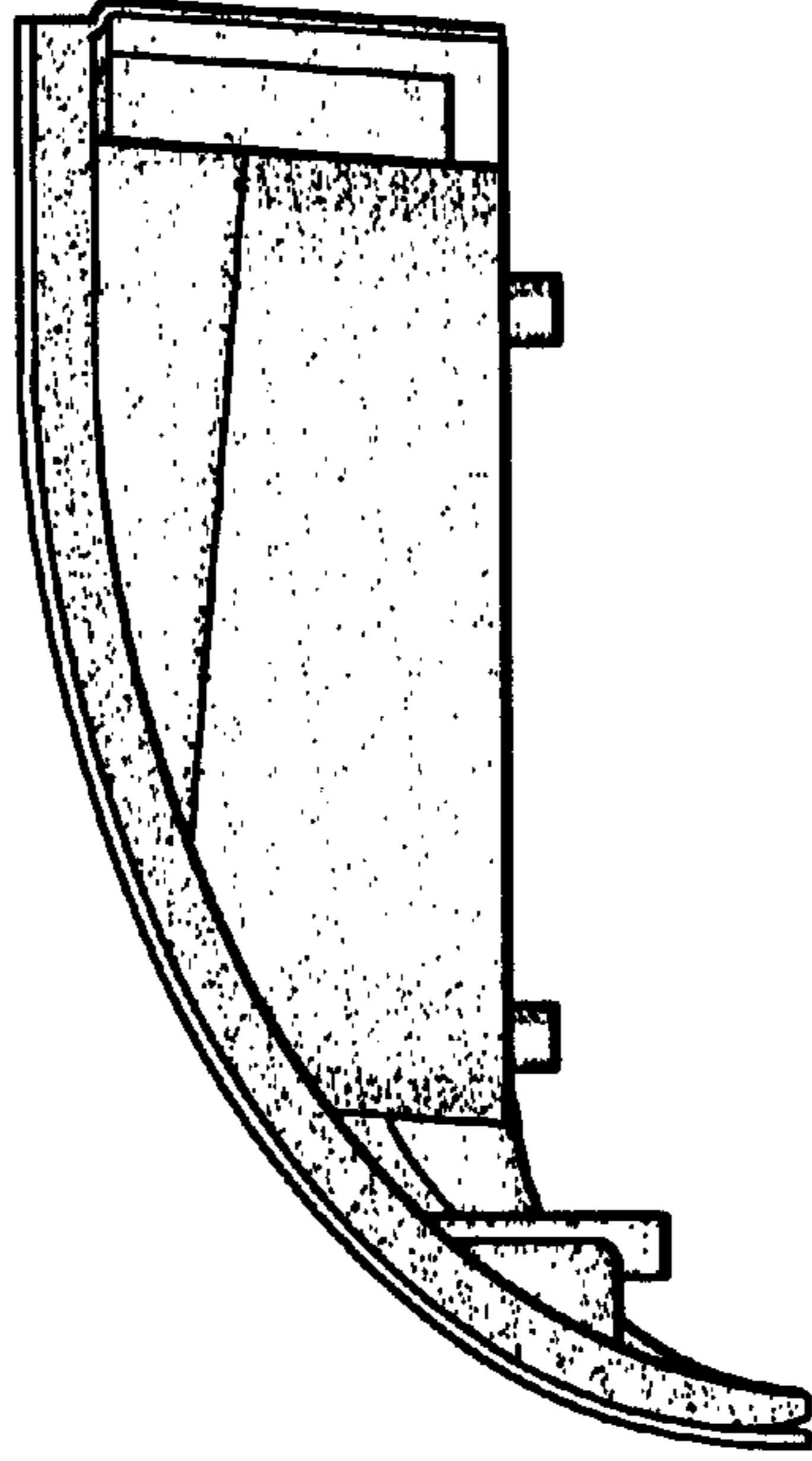


FIG. 7

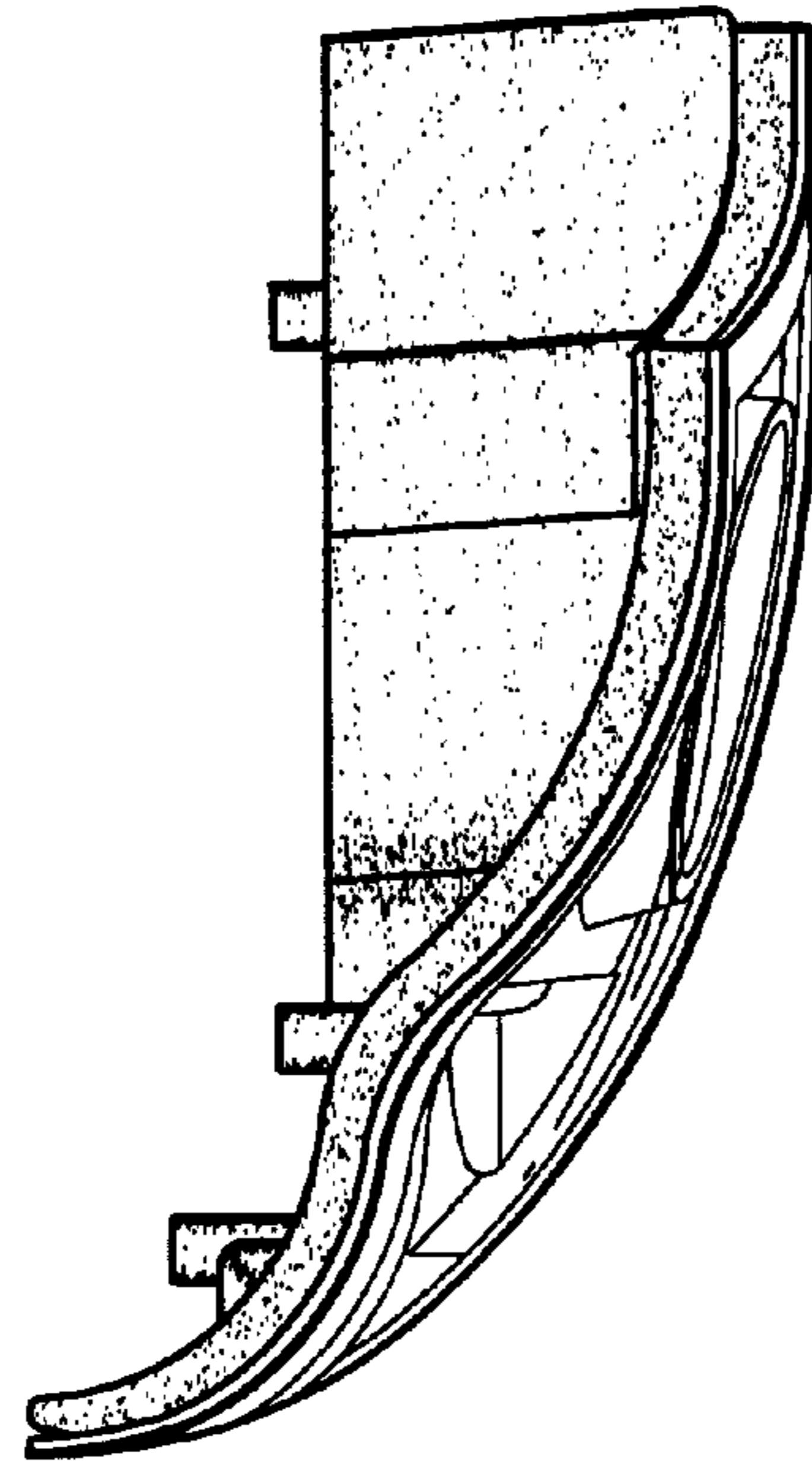


FIG. 6