



US00D481475S

(12) **United States Design Patent**  
**Chuang**

(10) **Patent No.:** **US D481,475 S**

(45) **Date of Patent:** **\*\* Oct. 28, 2003**

(54) **AUTOMOBILE LIGHT**

(75) **Inventor:** **Ching-Hui Chuang**, Tainan (TW)

(73) **Assignee:** **TYC Brother Industrial Co., Ltd.**,  
Tainan (TW)

(\*\*) **Term:** **14 Years**

(21) **Appl. No.:** **29/173,995**

(22) **Filed:** **Jan. 10, 2003**

(51) **LOC (7) Cl.** ..... **26-06**

(52) **U.S. Cl.** ..... **D26/28**

(58) **Field of Search** ..... D26/28-36, 120,  
D26/122; 362/61, 80, 81, 82, 83, 83.4,  
267, 269, 275, 327-340

(56) **References Cited**

**U.S. PATENT DOCUMENTS**

- D439,995 S \* 4/2001 Nakazawa et al. .... D26/28
- D455,509 S \* 4/2002 Schroeder et al. .... D26/28

- D467,018 S \* 12/2002 Shih et al. .... D26/28
- D472,655 S \* 4/2003 Zin ..... D26/28

\* cited by examiner

*Primary Examiner*—Marcus A. Jackson

(74) *Attorney, Agent, or Firm*—Fitzpatrick, Cella, Harper & Scinto

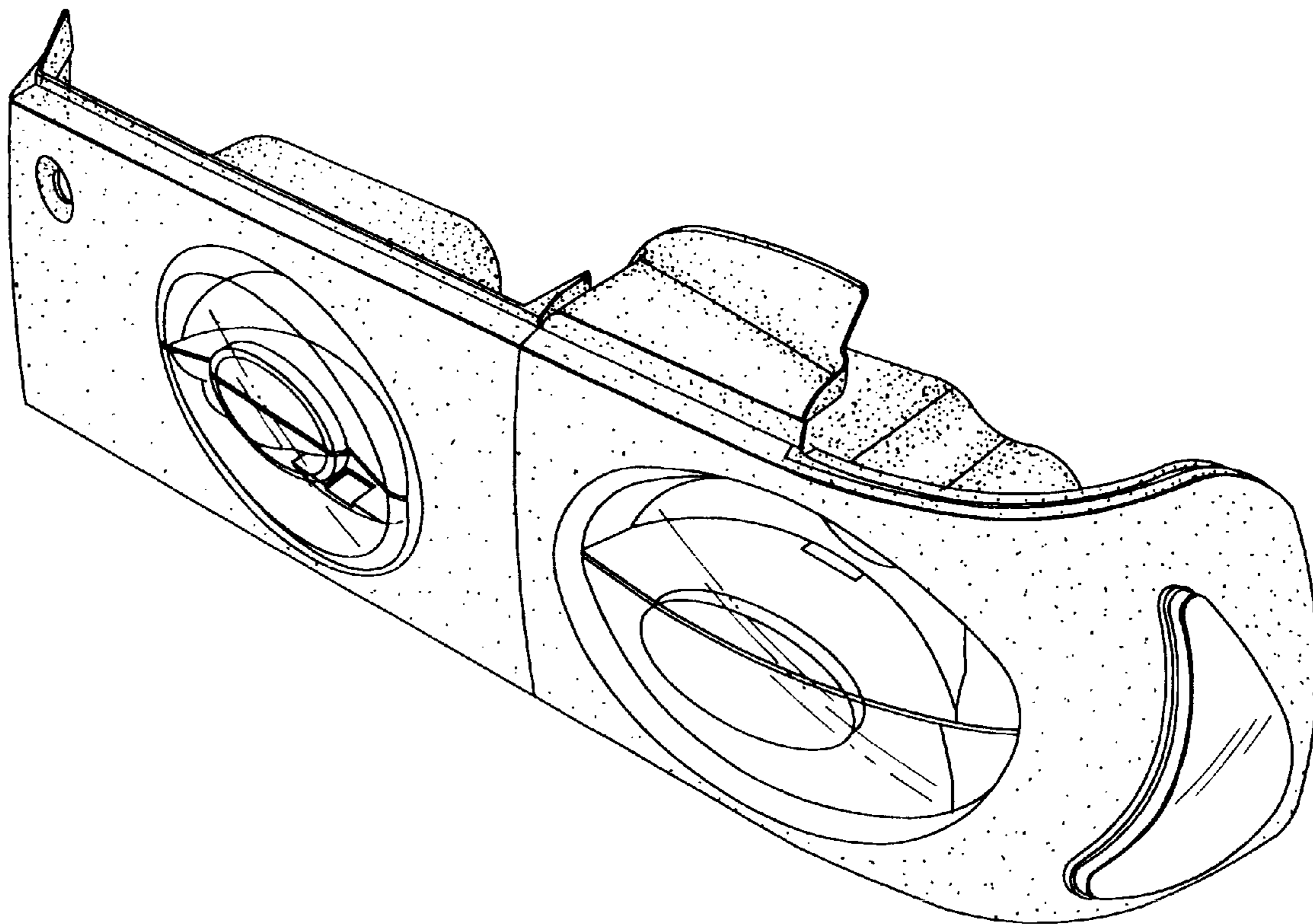
(57) **CLAIM**

The ornamental design for automobile light, as shown and described.

**DESCRIPTION**

FIG. 1 is a perspective view of automobile light showing my new design;  
 FIG. 2 is a front elevational view thereof;  
 FIG. 3 is a rear elevational view thereof;  
 FIG. 4 is a left side elevational view thereof;  
 FIG. 5 is a right side elevational view thereof;  
 FIG. 6 is a top plan view thereof; and,  
 FIG. 7 is a bottom plan view thereof.

**1 Claim, 4 Drawing Sheets**



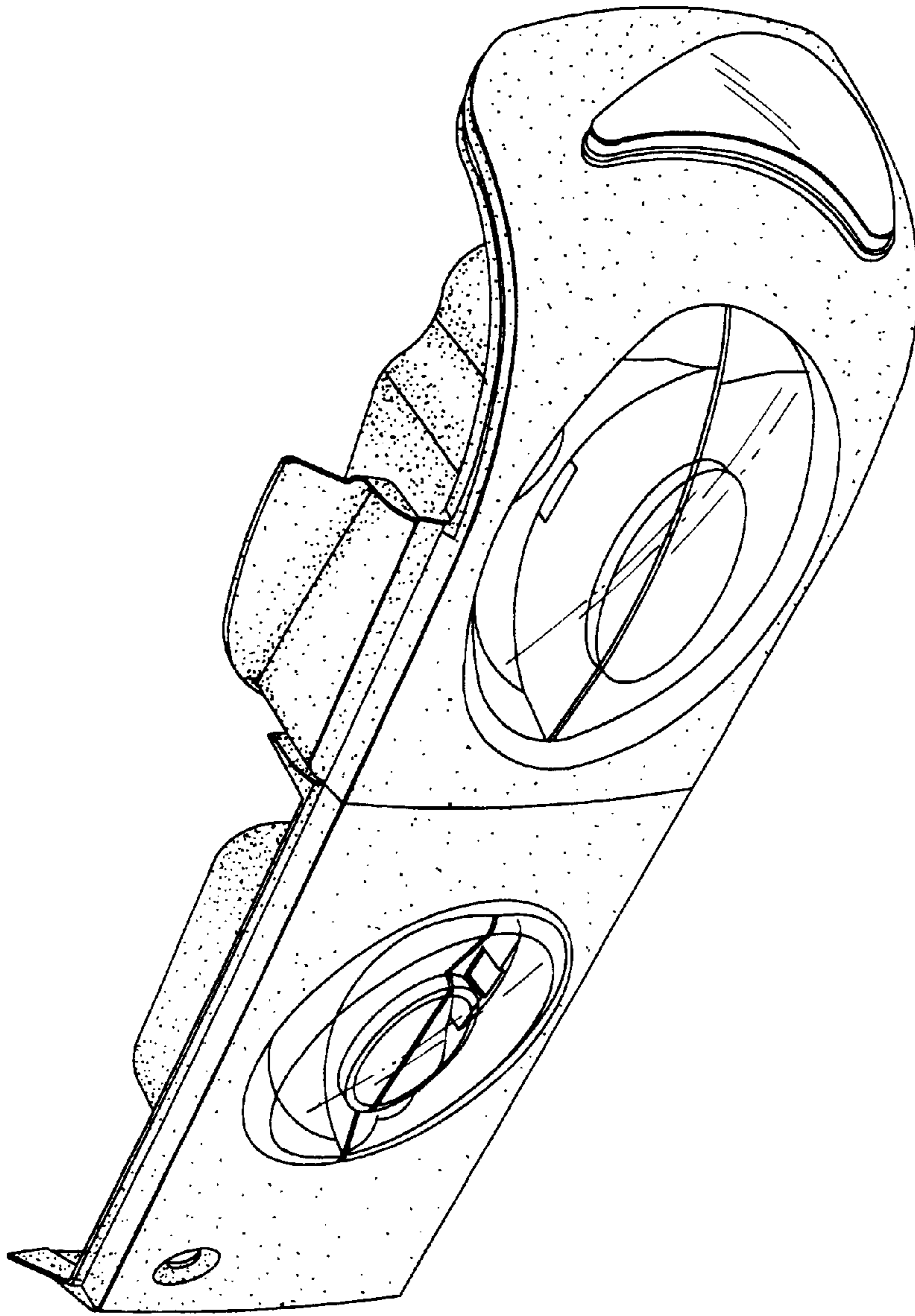


FIG. 1

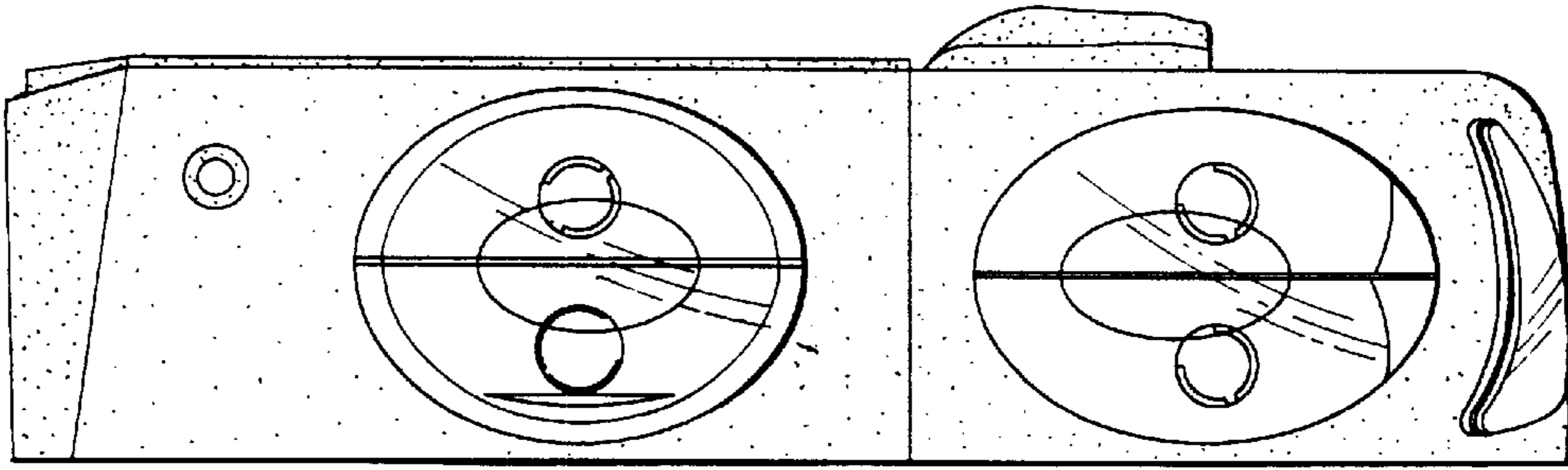


FIG. 2

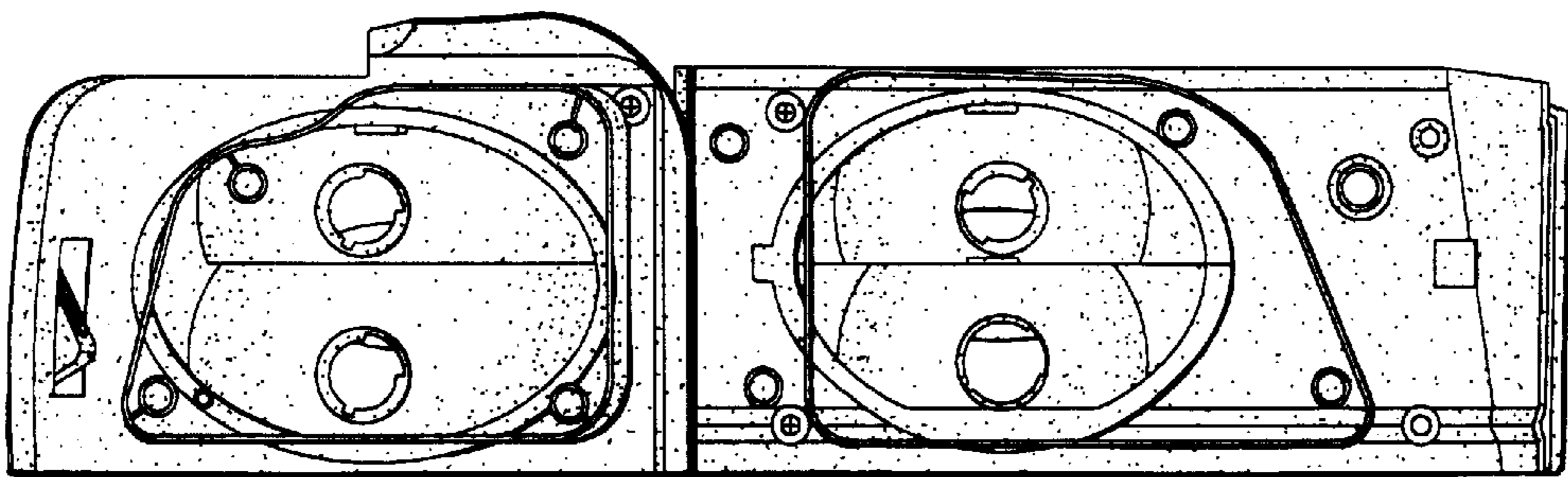


FIG. 3

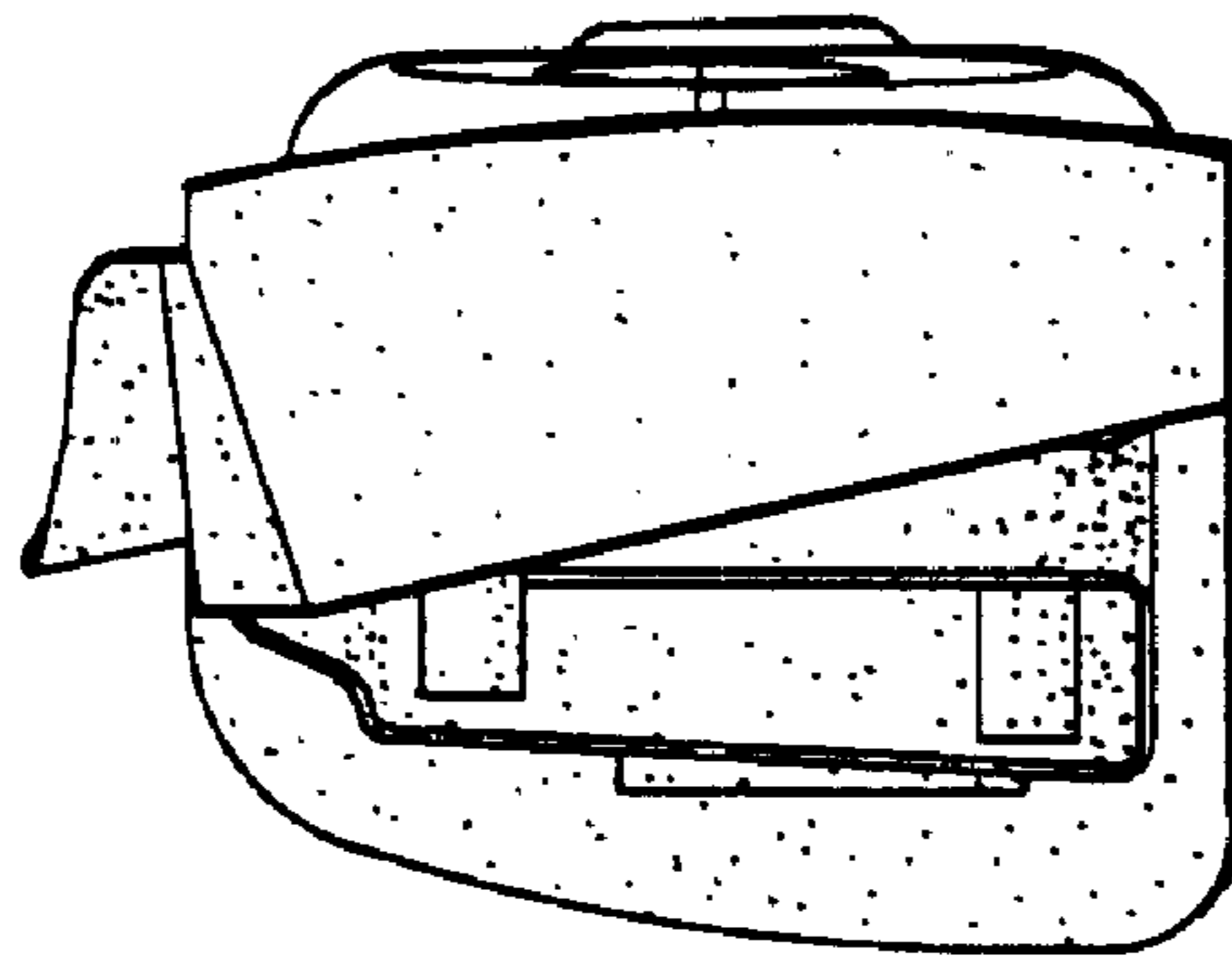


FIG. 4

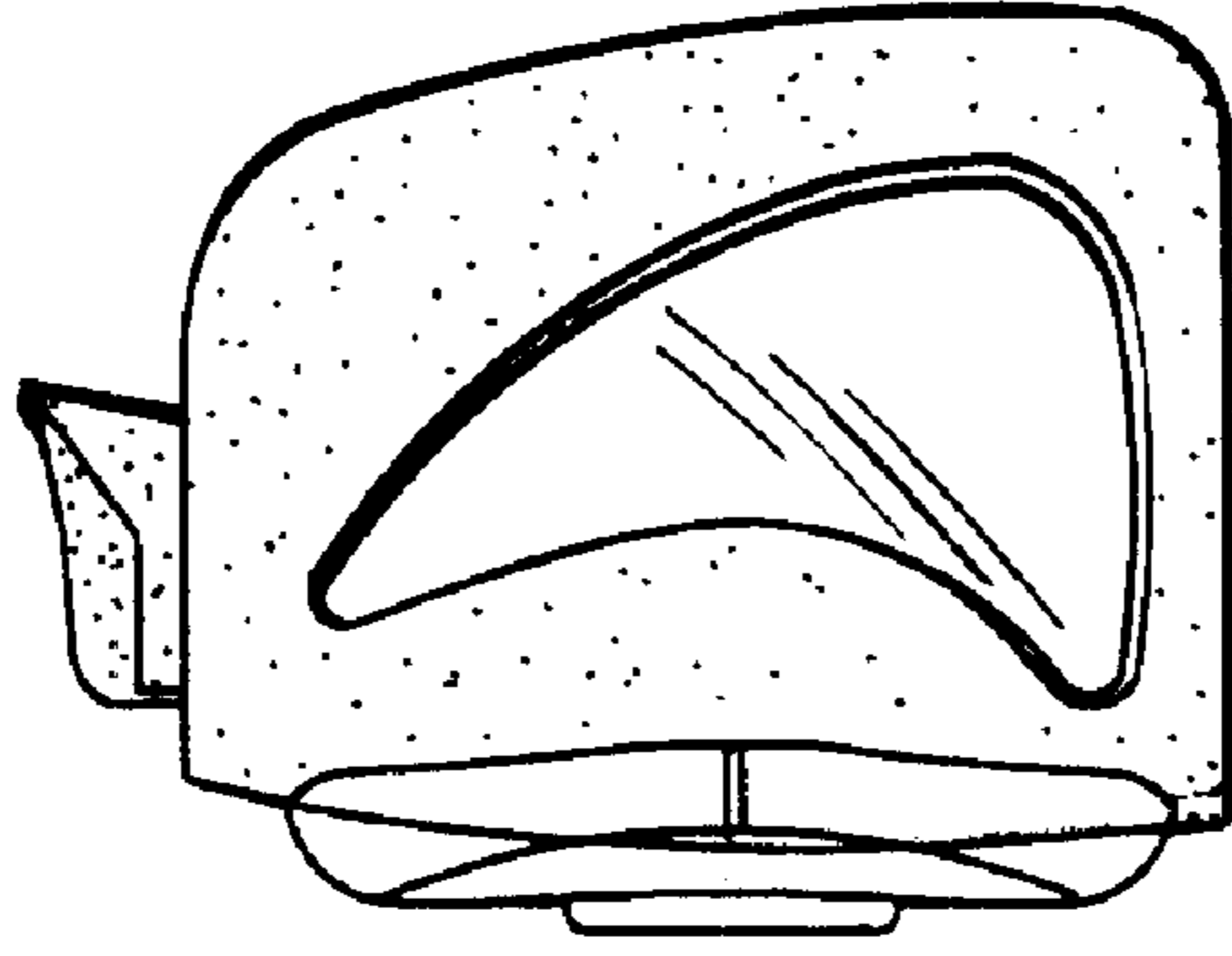


FIG. 5

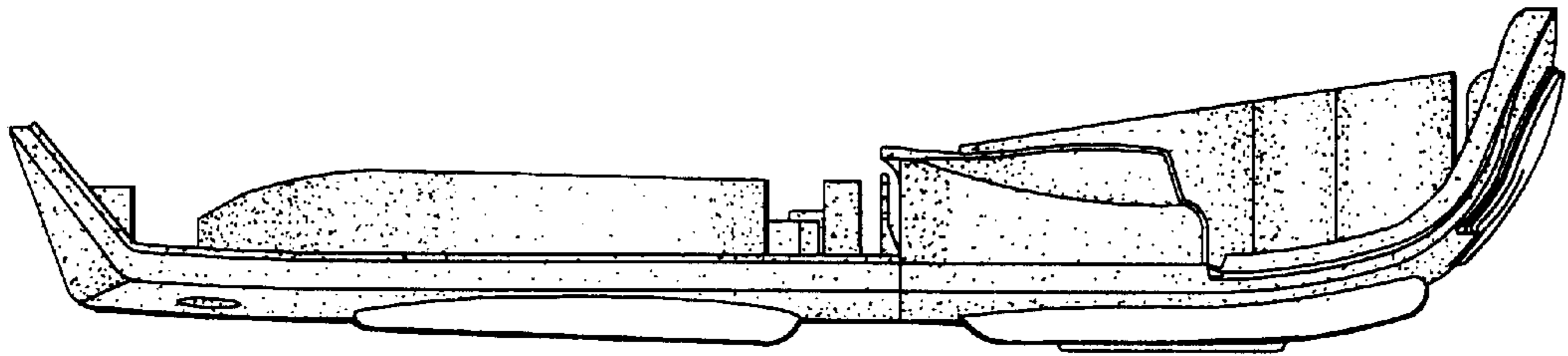


FIG. 6

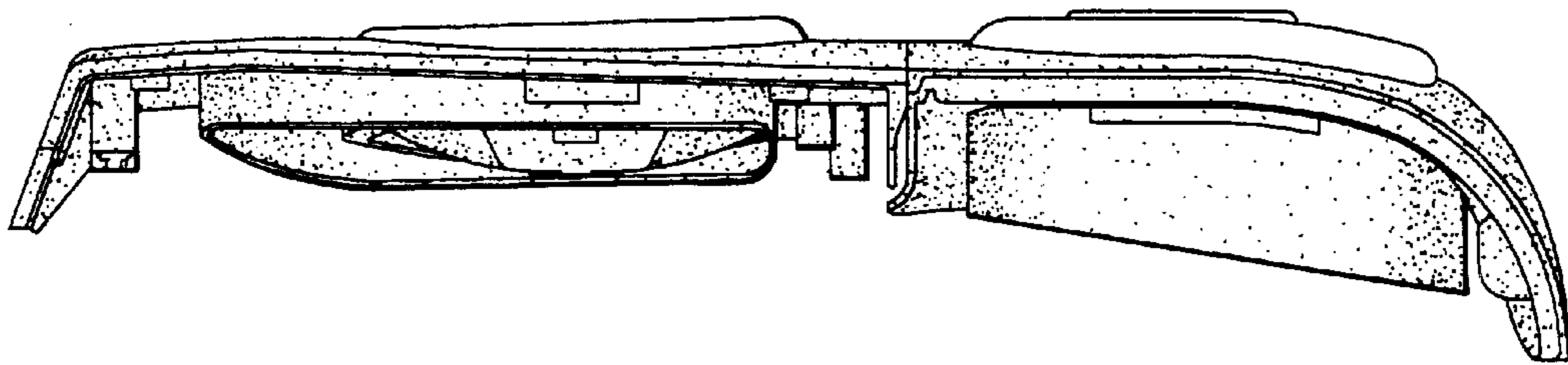


FIG. 7