



US00D481473S

(12) **United States Design Patent**
Walsh

(10) **Patent No.:** **US D481,473 S**

(45) **Date of Patent:** **** Oct. 28, 2003**

(54) **PORTION OF CANDLE HOLDER**

(75) Inventor: **Jason Walsh**, St. Charles, IL (US)

(73) Assignee: **Design Ideas, Ltd.**, Springfield, IL (US)

(**) Term: **14 Years**

(21) Appl. No.: **29/173,227**

(22) Filed: **Dec. 23, 2002**

(51) **LOC (7) Cl.** **26-01**

(52) **U.S. Cl.** **D26/9; D26/11**

(58) **Field of Search** **D26/6, 7, 9-11, D26/23; 431/291-293, 288**

(56) **References Cited**

U.S. PATENT DOCUMENTS

4,937,701 A	*	6/1990	Schroder	362/161
D357,085 S		4/1995	Ratia		
D371,212 S		6/1996	Hardy et al.		
D371,213 S		6/1996	Hardy et al.		
D387,447 S		12/1997	Hollington		
D388,892 S		1/1998	Ratia		
D415,295 S	*	10/1999	Kochis et al.	D26/9
D416,099 S		11/1999	Hardy		
D422,101 S	*	3/2000	Barraclough et al.	D26/9

D422,720 S		4/2000	Hardy		
D447,256 S		8/2001	Ratia		
6,579,089 B1	*	6/2003	Iu	431/291

OTHER PUBLICATIONS

Illuminations catalog 2000; Floating oil lamps p. 25.*
Design Ideas Catalogue, issued 1998, p. 41, Hemisphere.

* cited by examiner

Primary Examiner—Robin V. Taylor

(74) *Attorney, Agent, or Firm*—Saidman DesignLaw Group

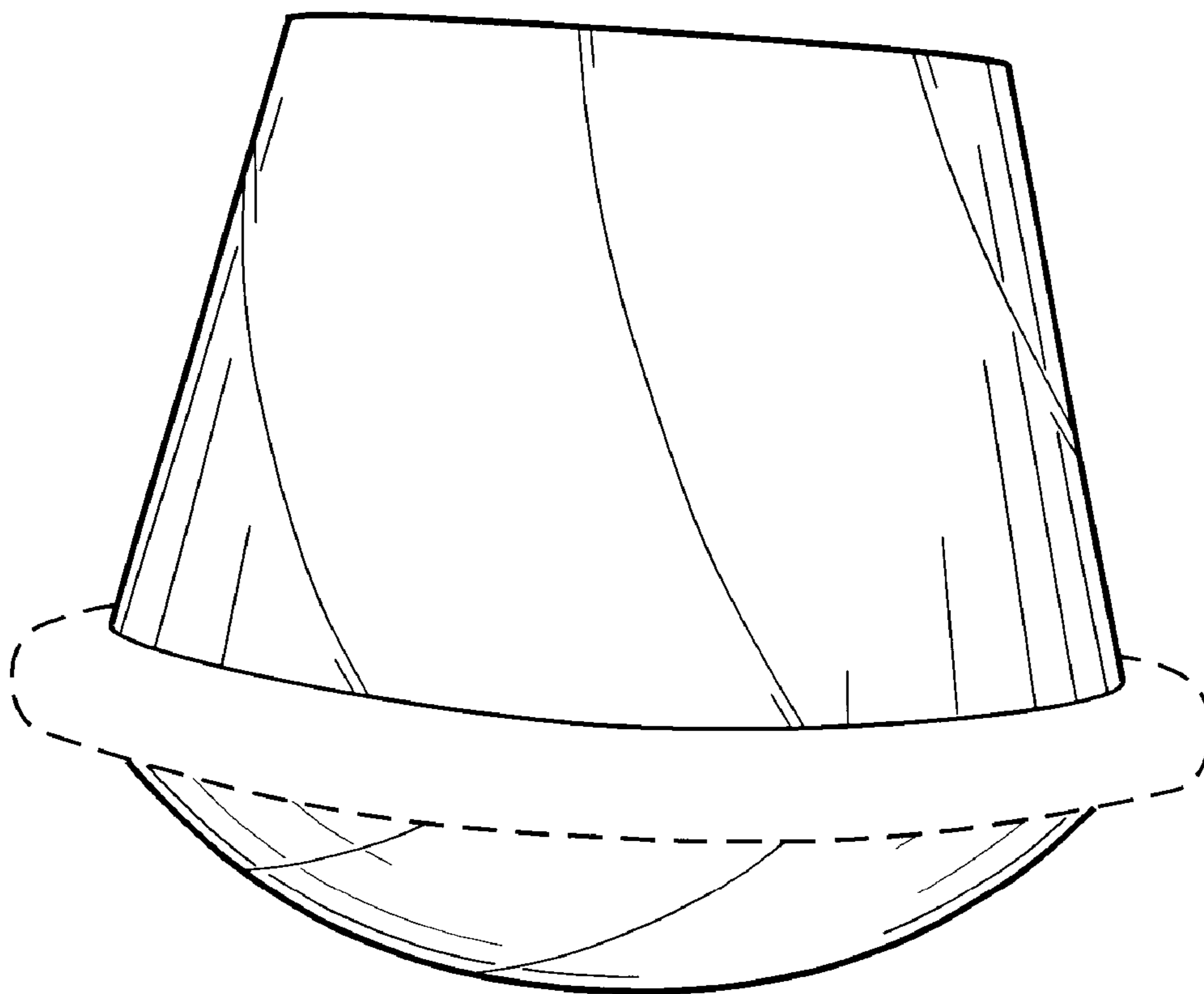
(57) **CLAIM**

The ornamental design for a portion of candle holder, as shown and described.

DESCRIPTION

FIG. 1 is a top, perspective view of a portion of candle holder showing my new design;
FIG. 2 is a side view thereof, the remaining side views being identical;
FIG. 3 is a top view thereof; and,
FIG. 4 is a bottom view thereof.
The broken lines shown in the drawing no part of the claimed design.

1 Claim, 4 Drawing Sheets



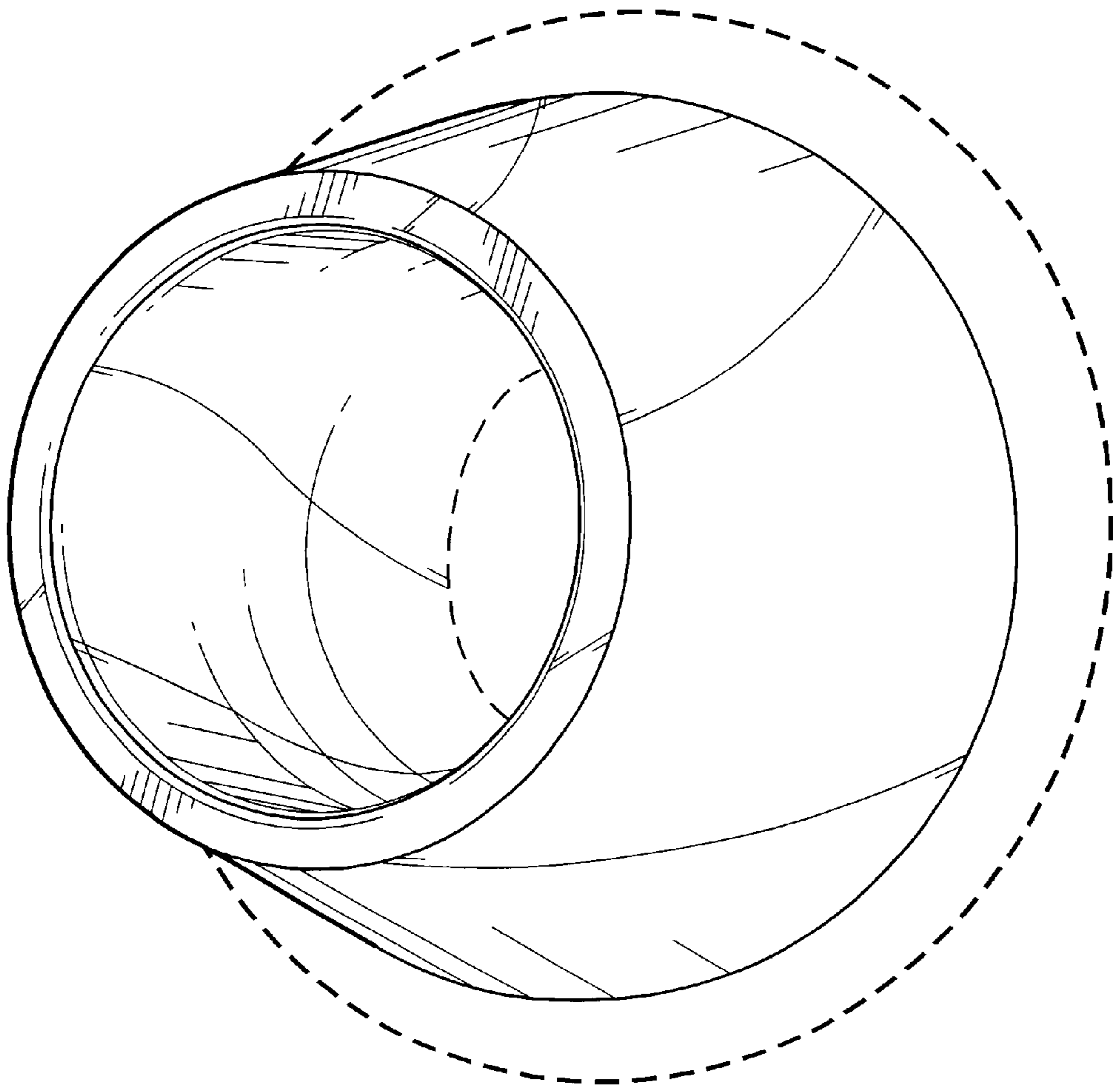


FIG. 1

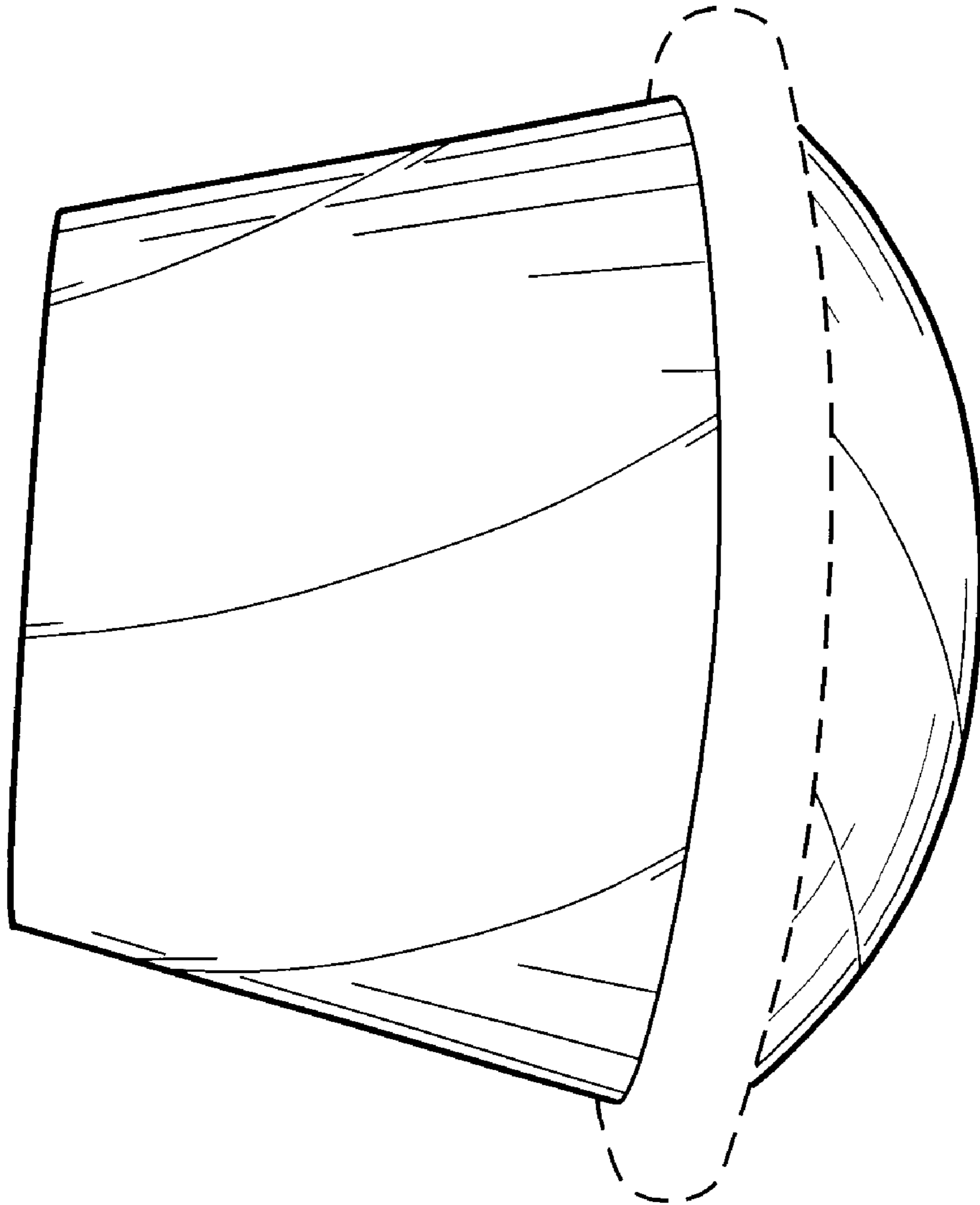


FIG.2

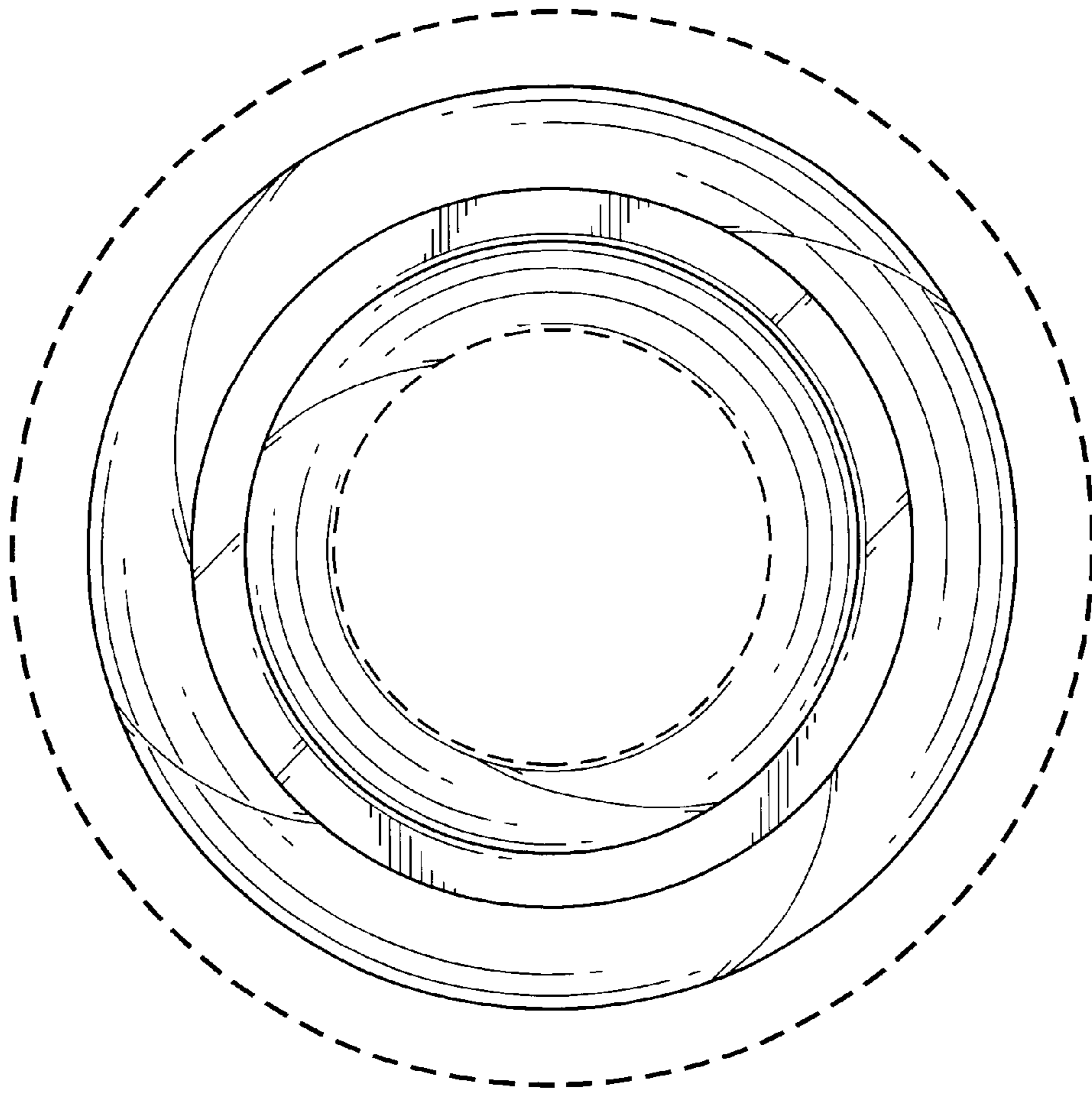


FIG.3

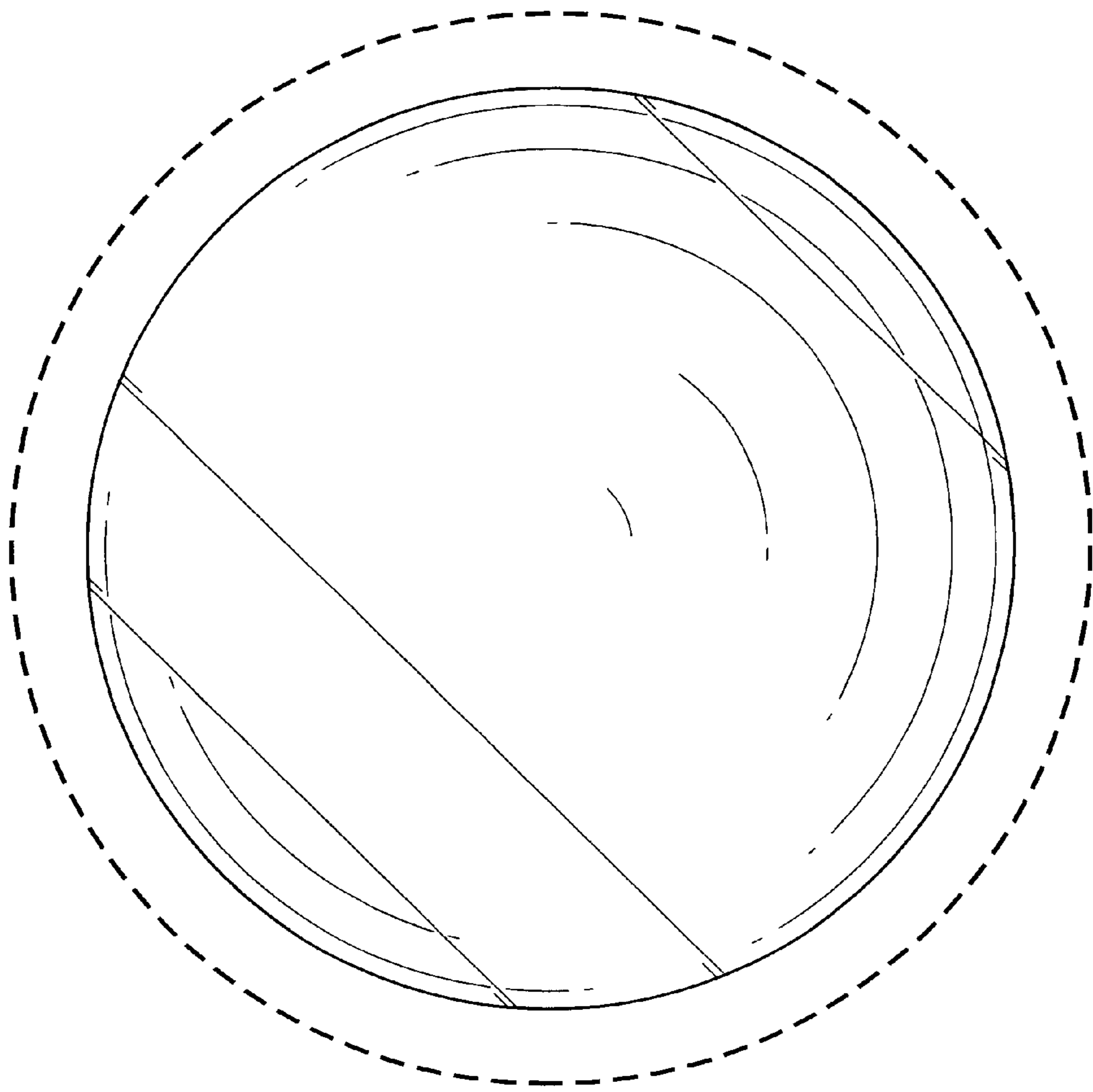


FIG.4