



US00D481471S

(12) **United States Design Patent**  
**Farmer**

(10) **Patent No.:** **US D481,471 S**

(45) **Date of Patent:** **\*\* Oct. 28, 2003**

(54) **LIGHT BULB AND SOCKET**

(75) Inventor: **Edmund Farmer**, Cranford, NJ (US)

(73) Assignee: **Verilux, Inc.**, Stamford, CT (US)

(\*\*) Term: **14 Years**

(21) Appl. No.: **29/172,463**

(22) Filed: **Dec. 12, 2002**

(51) **LOC (7) Cl.** ..... **26-04**

(52) **U.S. Cl.** ..... **D26/3**

(58) **Field of Search** ..... D26/1, 2, 3; 315/56,  
315/57, 58; 313/313, 315, 318, 493

(56) **References Cited**

**U.S. PATENT DOCUMENTS**

D304,502 S	*	11/1989	Heidemann et al.	.....	D26/3
D314,629 S	*	2/1991	Sangen et al.	.....	D26/3
D321,501 S	*	11/1991	Ilemo	.....	D26/3

\* cited by examiner

*Primary Examiner*—Marcus A. Jackson

(74) *Attorney, Agent, or Firm*—St. Onge Steward Johnston & Reens LLC

(57) **CLAIM**

I claim the ornamental design for the light bulb and socket, as shown and described in the drawings.

**DESCRIPTION**

FIG. 1 is a rear perspective view of a light bulb in accor-

dance with the new design with the broken line showing for illustrative purposes only and showing no part of the claimed design;

FIG. 2 is a front view of the light bulb in accordance with the embodiment of the new design shown in FIG. 1;

FIG. 3 is a top view of the light bulb in accordance with the embodiment of the new design shown in FIG. 1;

FIG. 4 is a side view of the light bulb in accordance with the embodiment of the new design shown in FIG. 1;

FIG. 5 is a rear view of the light bulb in accordance with the embodiment of the new design shown in FIG. 1;

FIG. 6 is a front perspective view of the socket in accordance with the new design;

FIG. 7 is a top view of the socket in accordance with the embodiment of the new design shown in FIG. 6;

FIG. 8 is a front view of the socket in accordance with the embodiment of the new design shown in FIG. 6;

FIG. 9 is a side view of the socket in accordance with the embodiment of the new design shown in FIG. 6;

FIG. 10 is a rear view of the socket in accordance with the embodiment of the new design shown in FIG. 6;

FIG. 11 is a rear perspective view of another embodiment of the light bulb shown in FIG. 1;

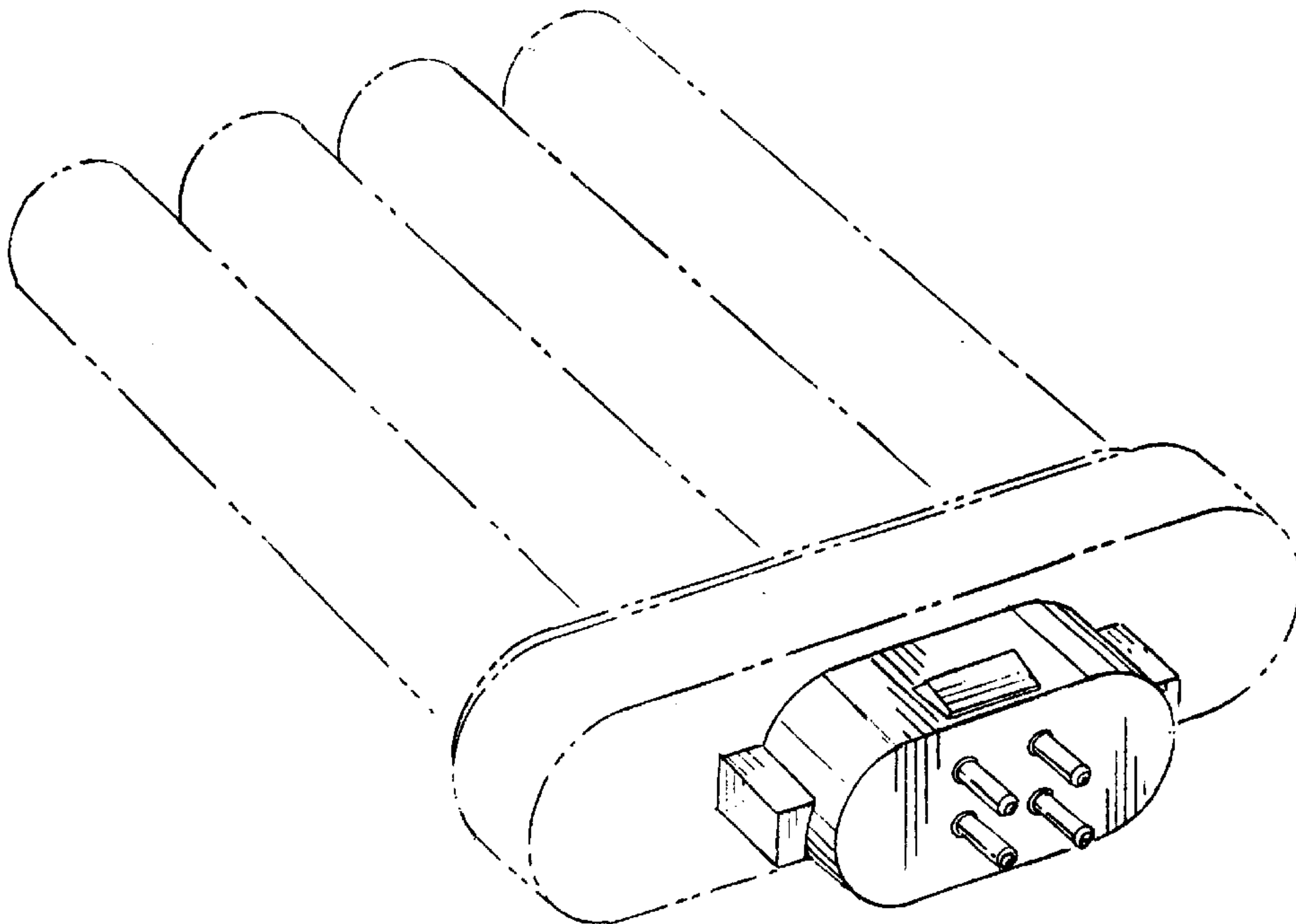
FIG. 12 is a front view of another embodiment of the light bulb shown in FIG. 1;

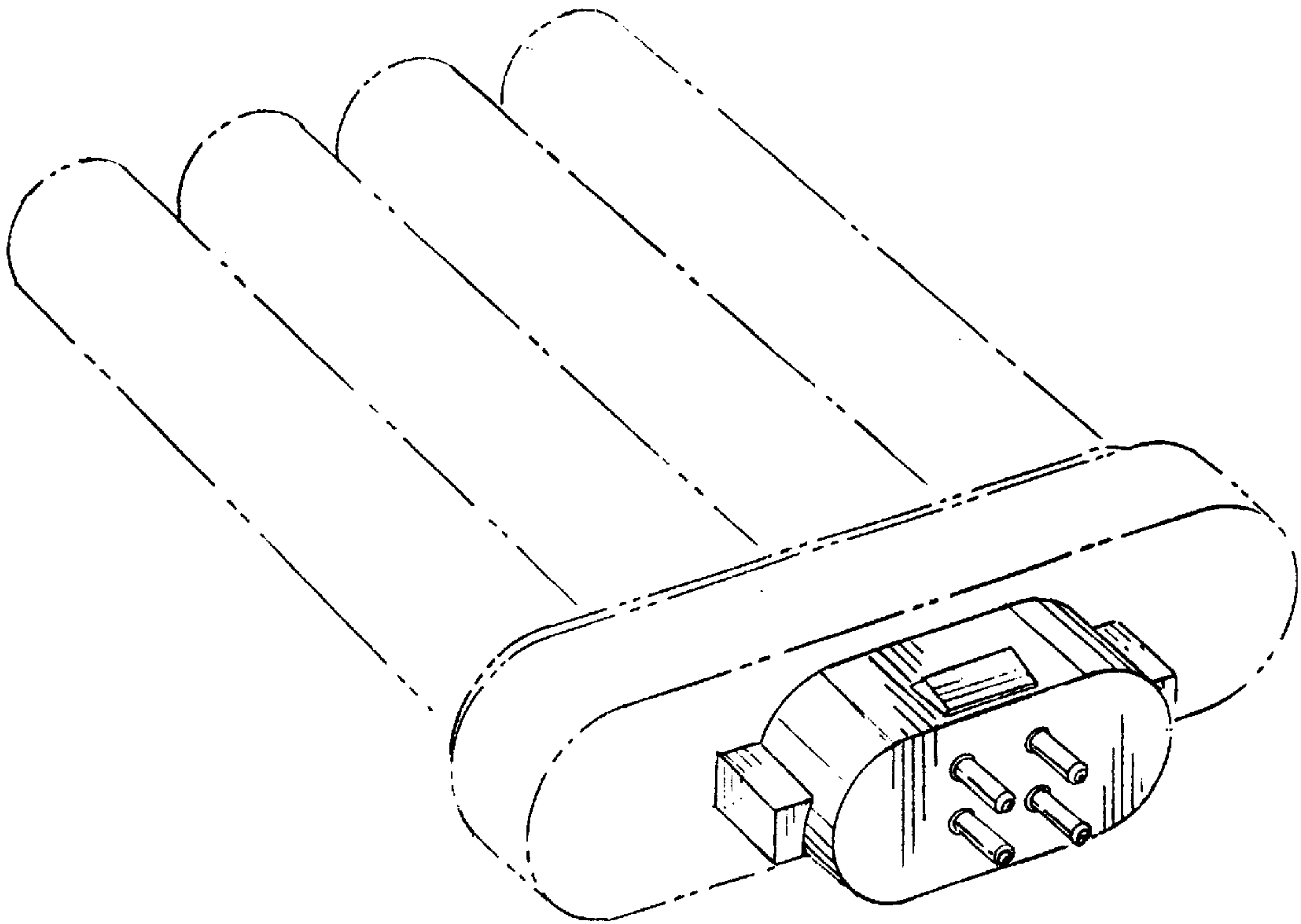
FIG. 13 is a top view of another embodiment of the light bulb shown in FIG. 1;

FIG. 14 is a side view of another embodiment of the light bulb shown in FIG. 1; and,

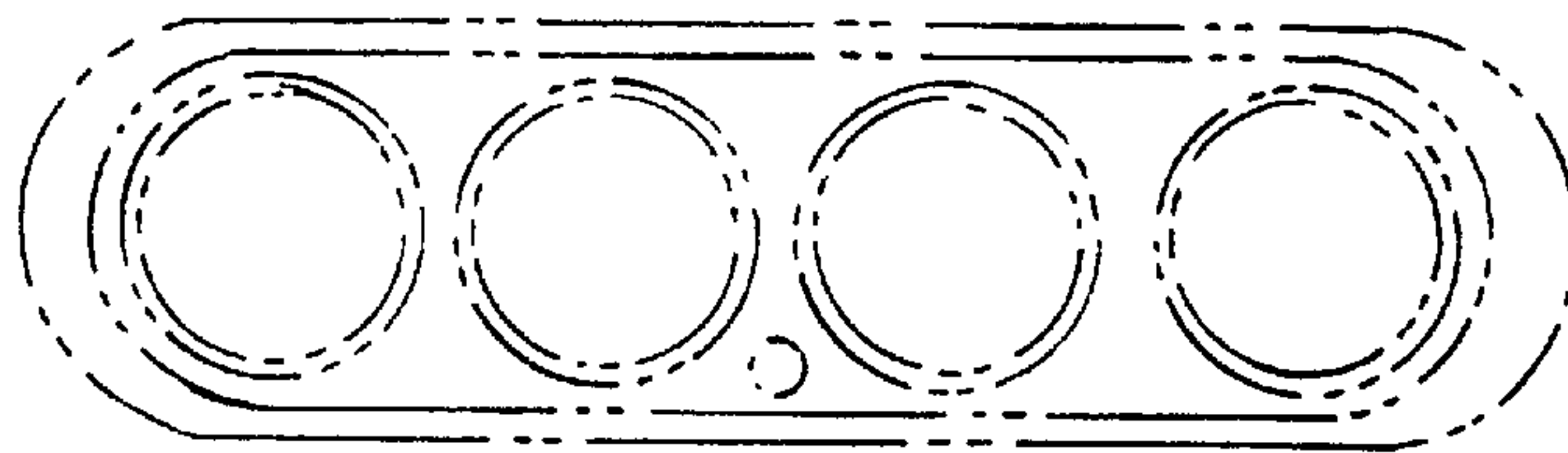
FIG. 15 is a rear view of another embodiment of the light bulb shown in FIG. 1.

**1 Claim, 5 Drawing Sheets**

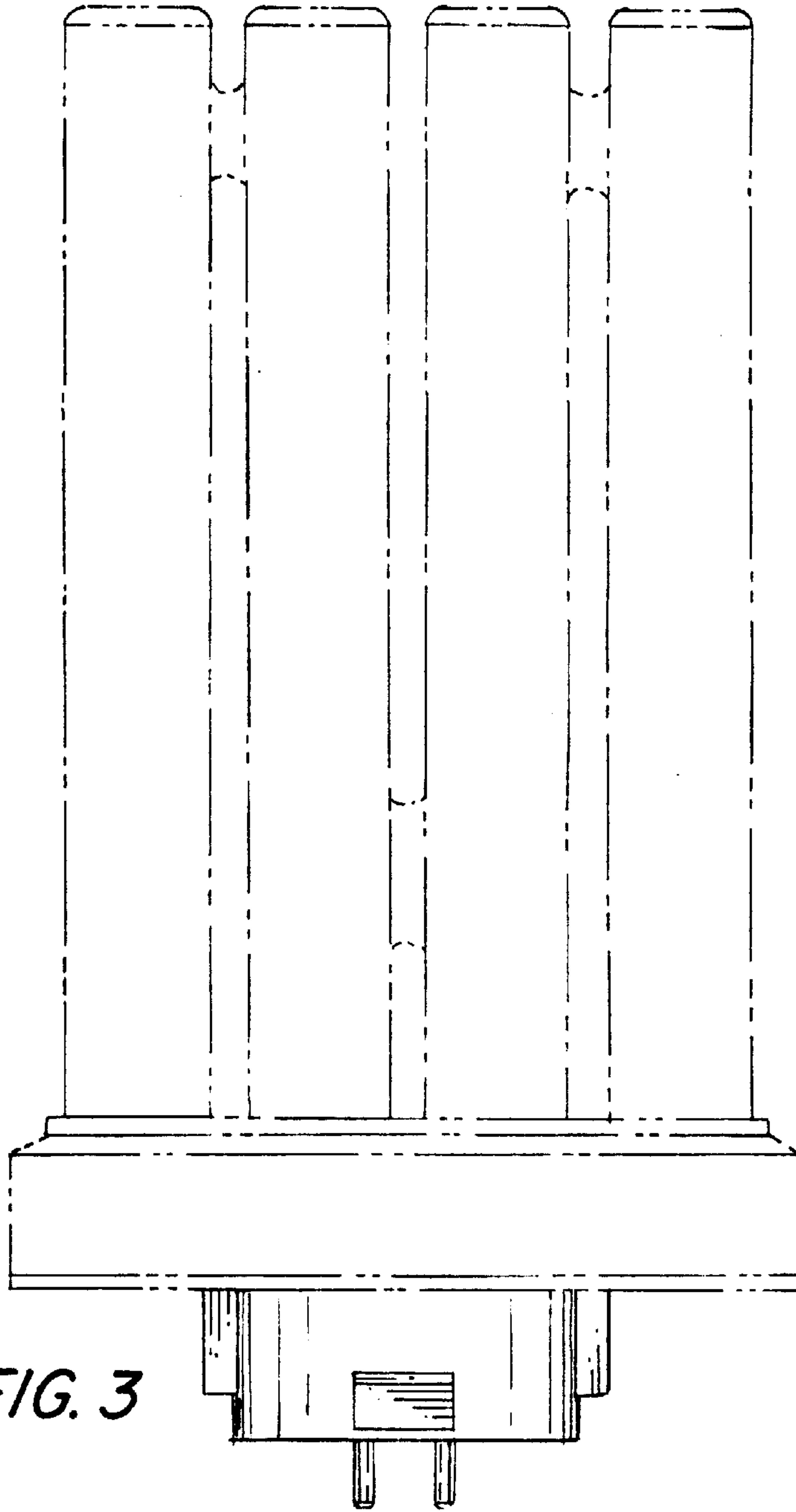




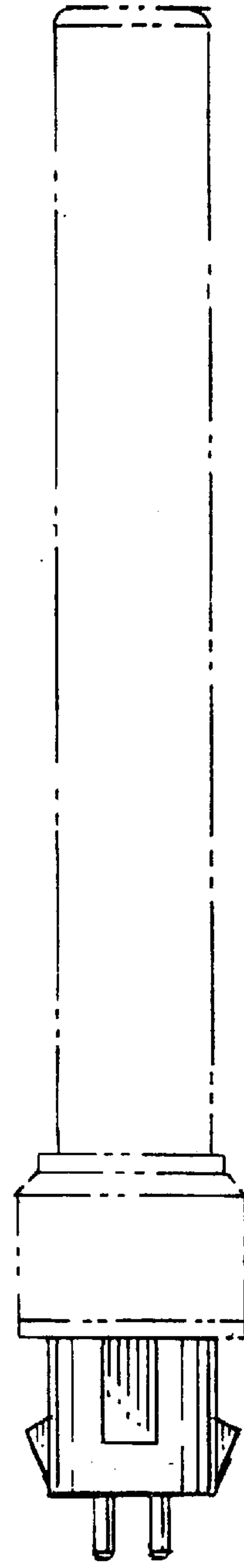
*FIG. 1*



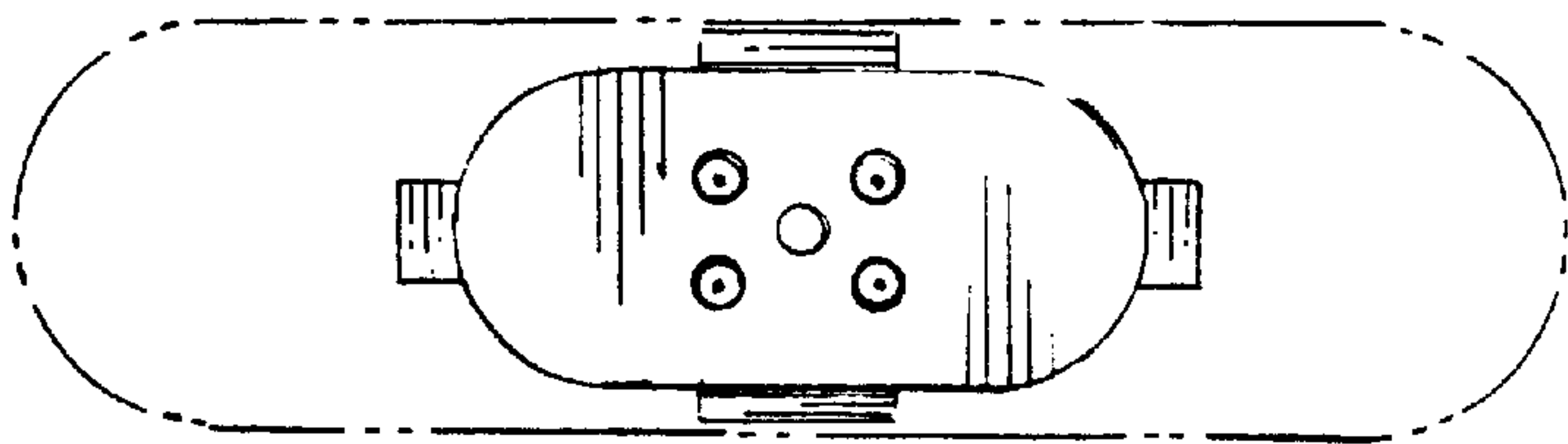
*FIG. 2*



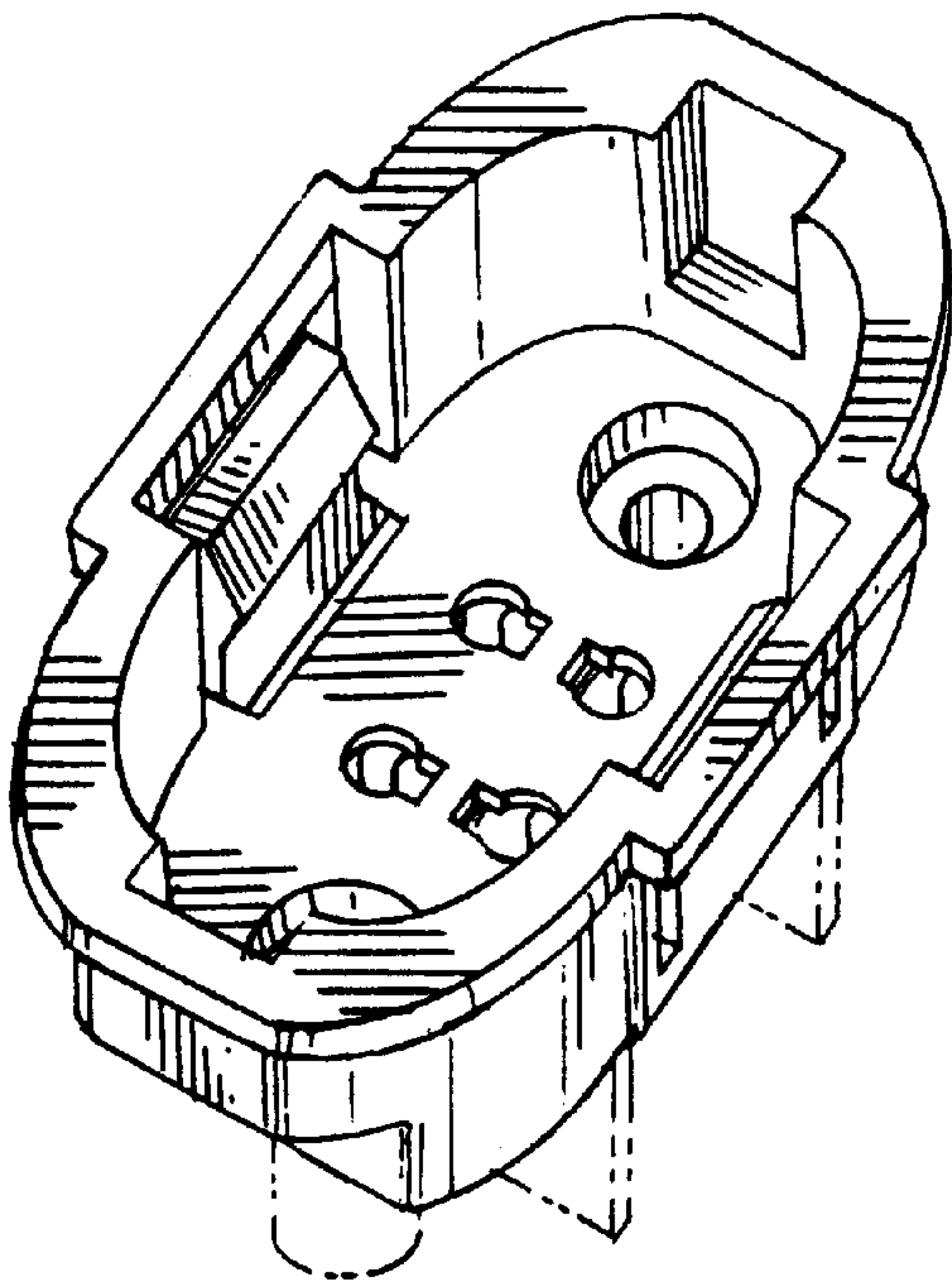
*FIG. 3*



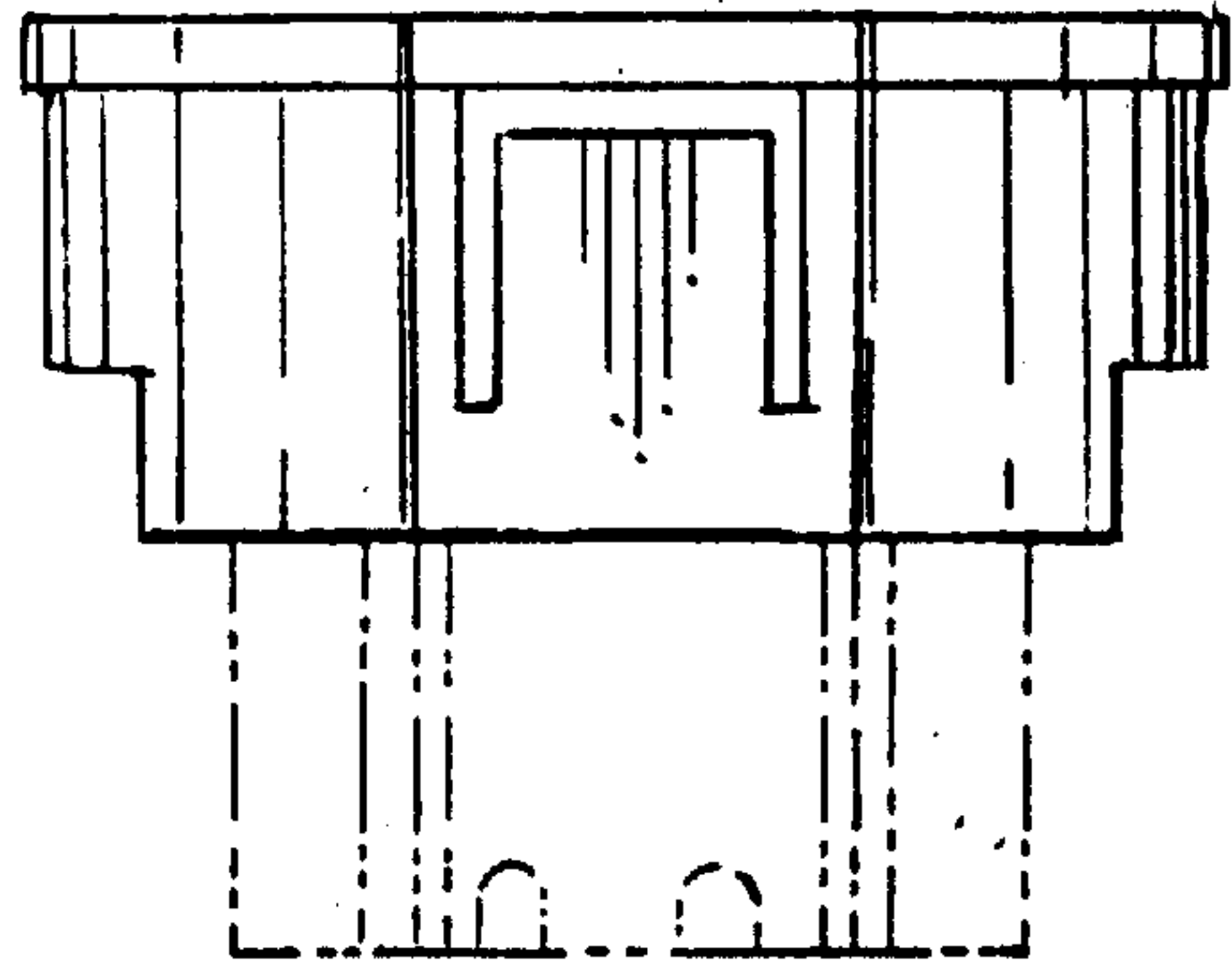
*FIG. 4*



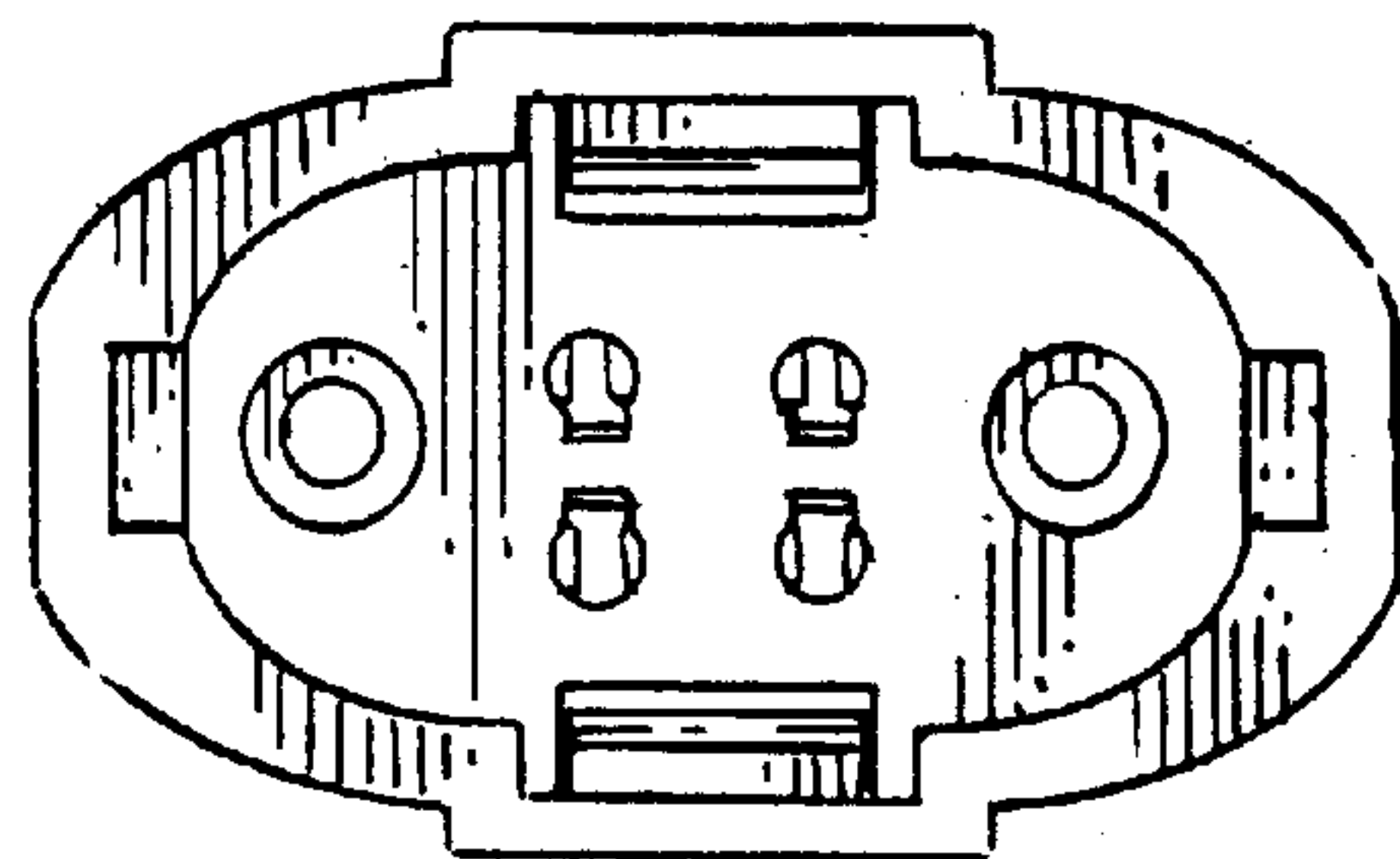
*FIG. 5*



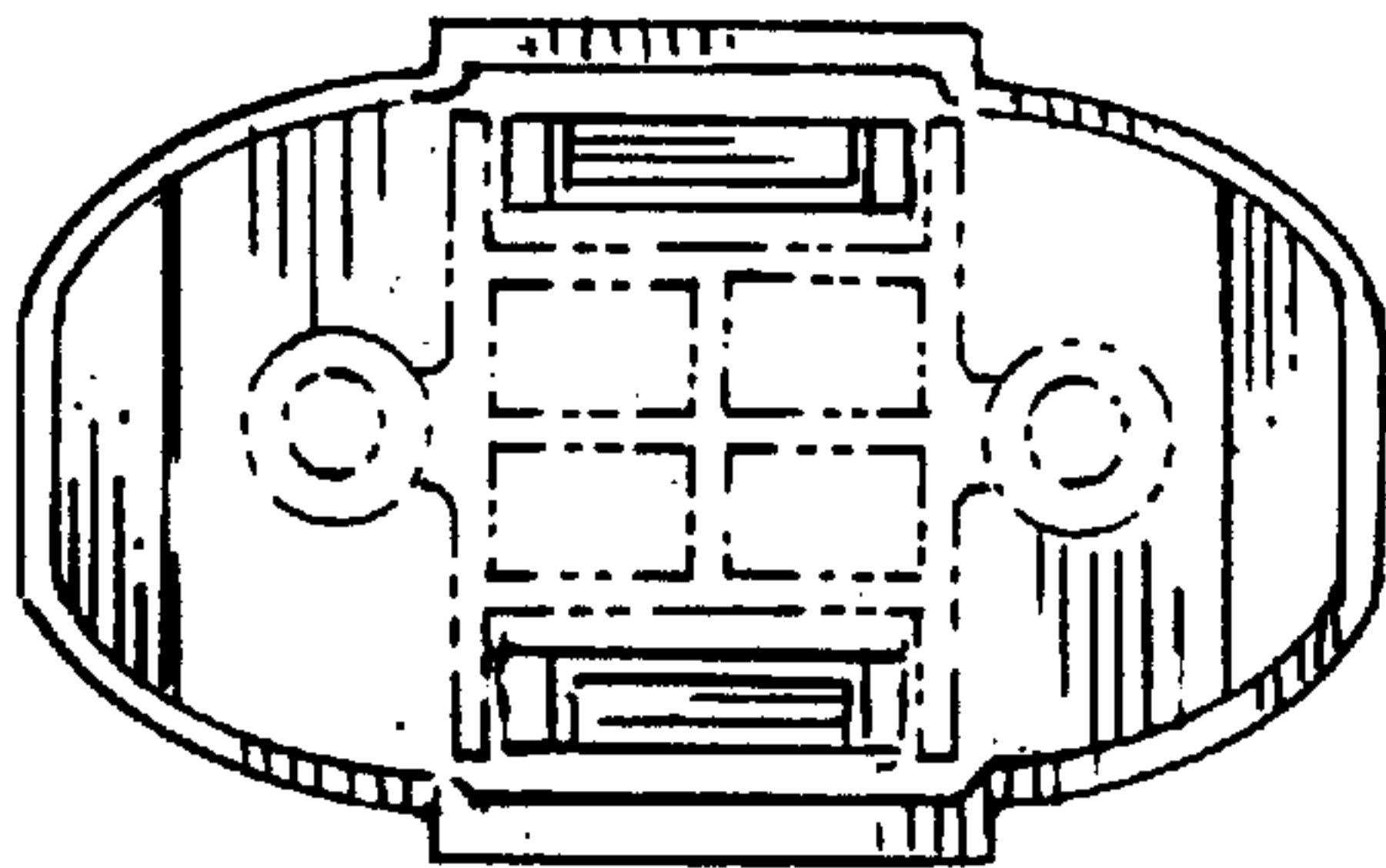
*FIG. 6*



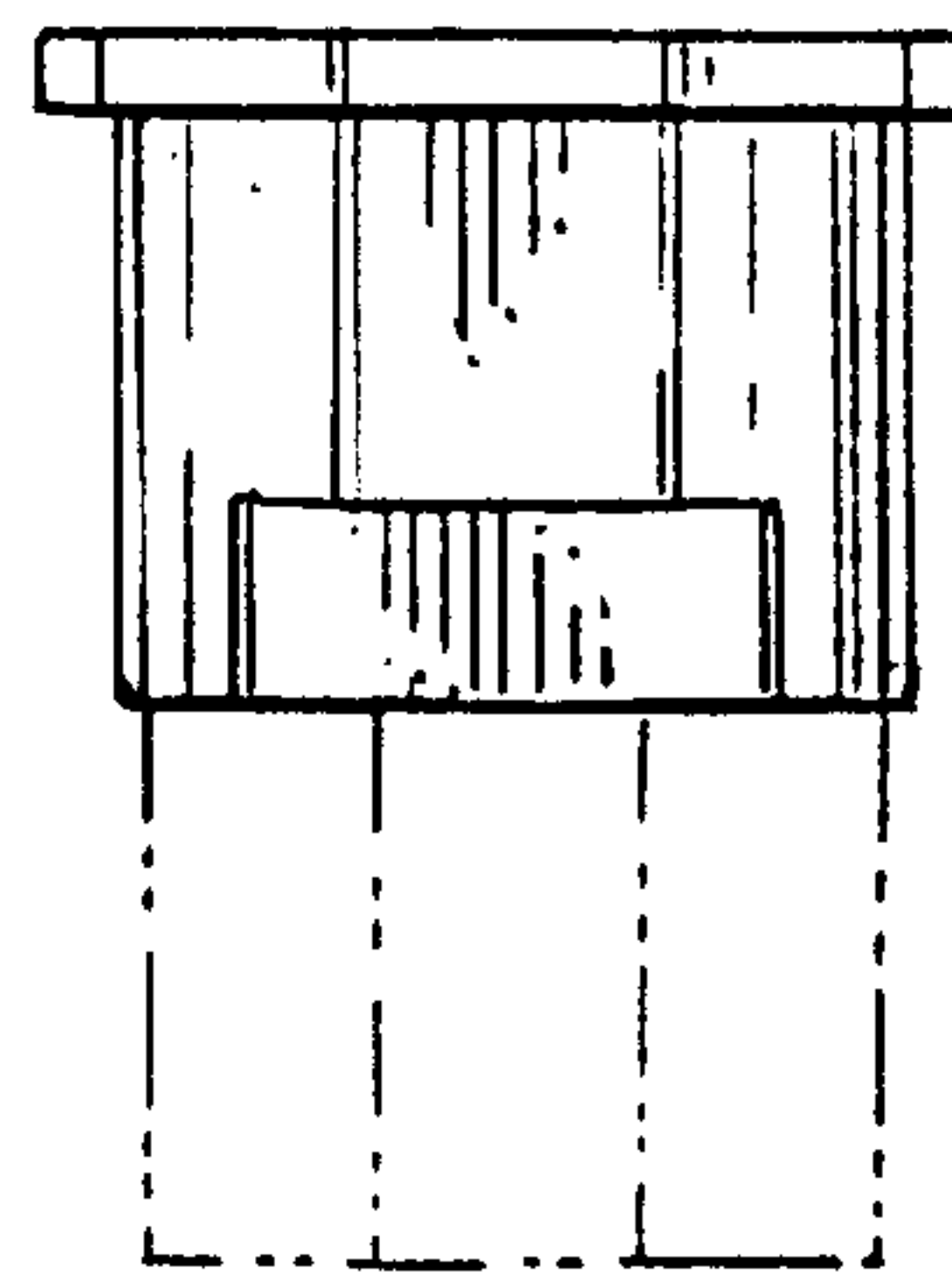
*FIG. 8*



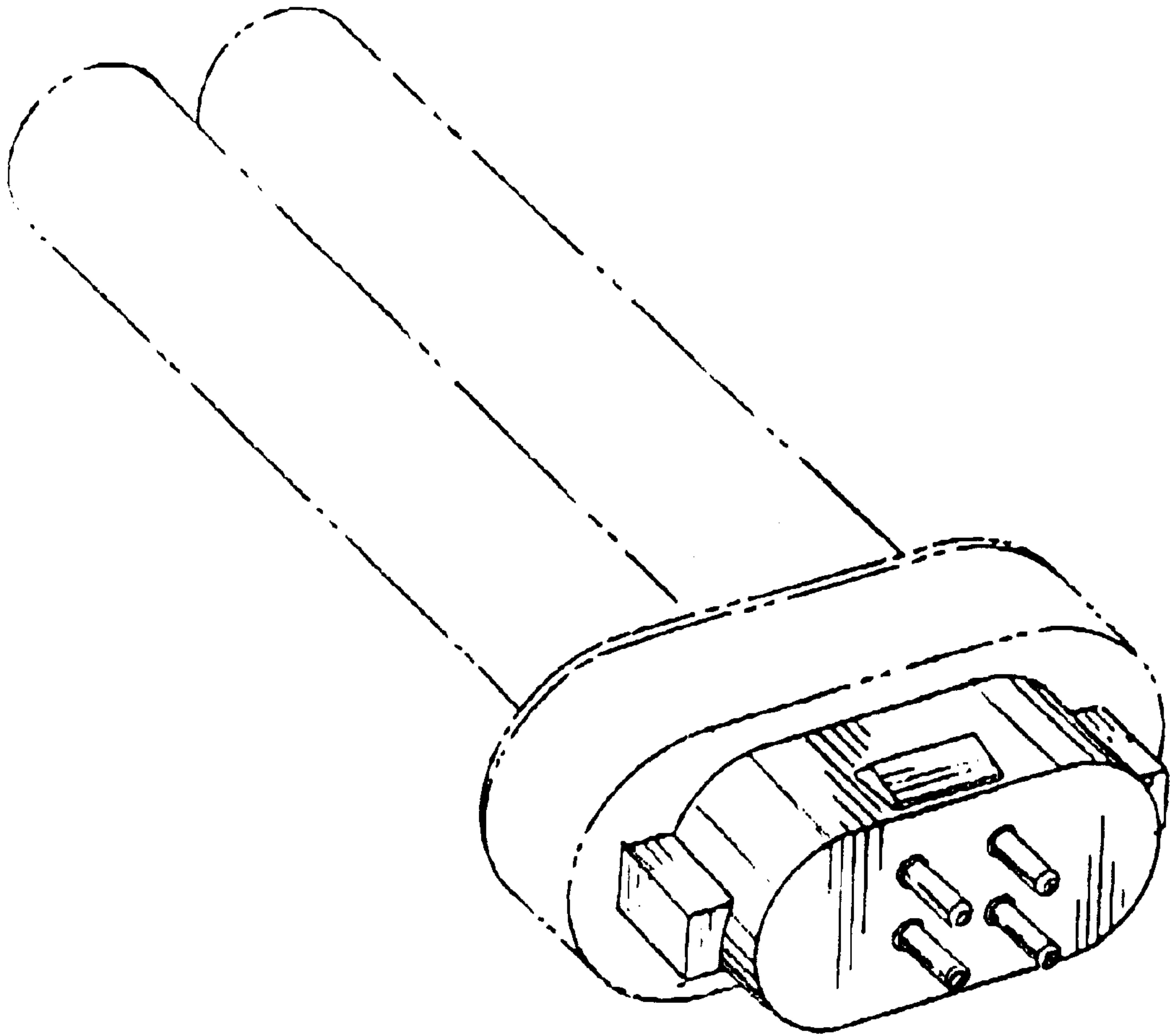
*FIG. 7*



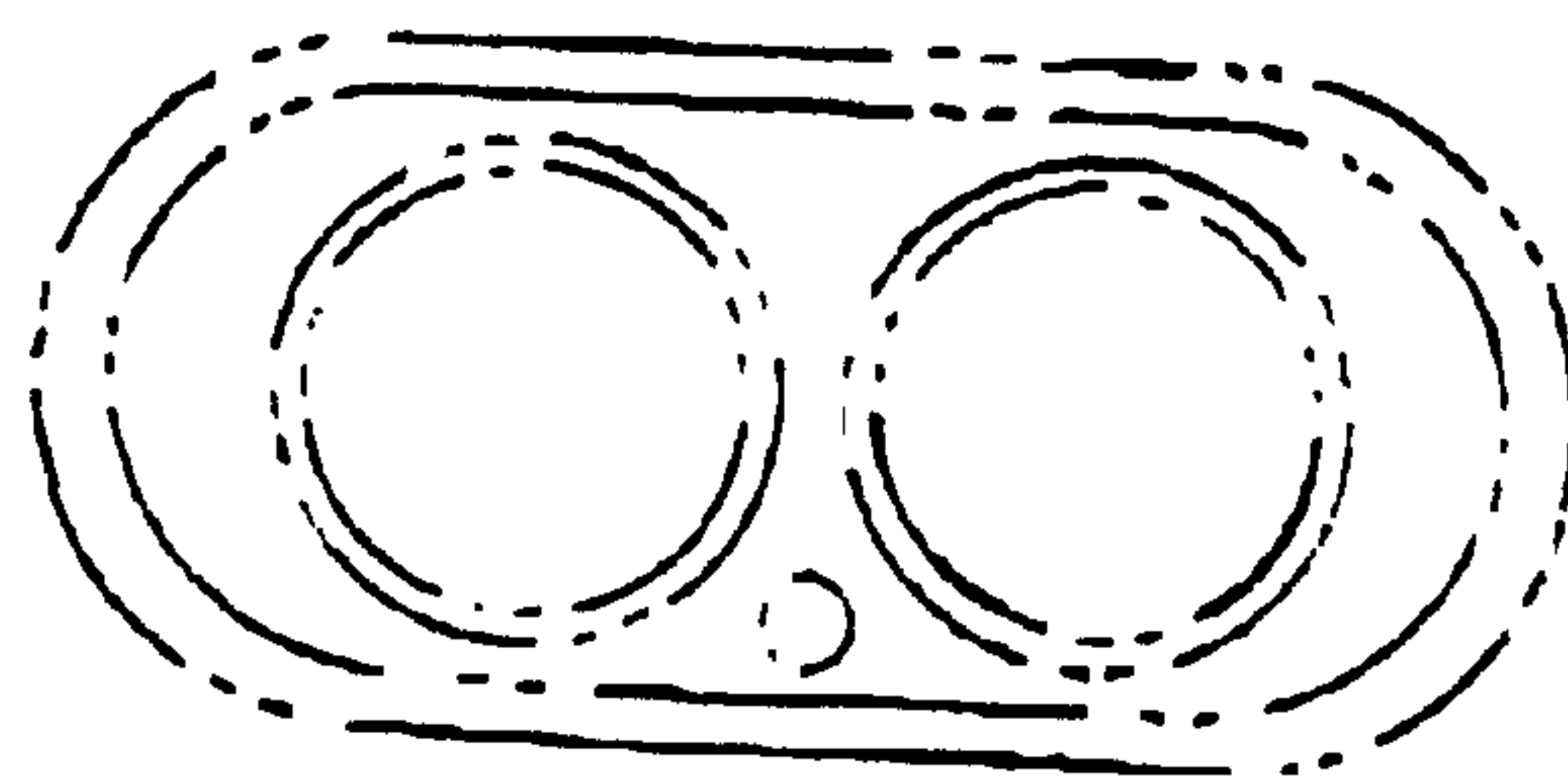
*FIG. 10*



*FIG. 9*

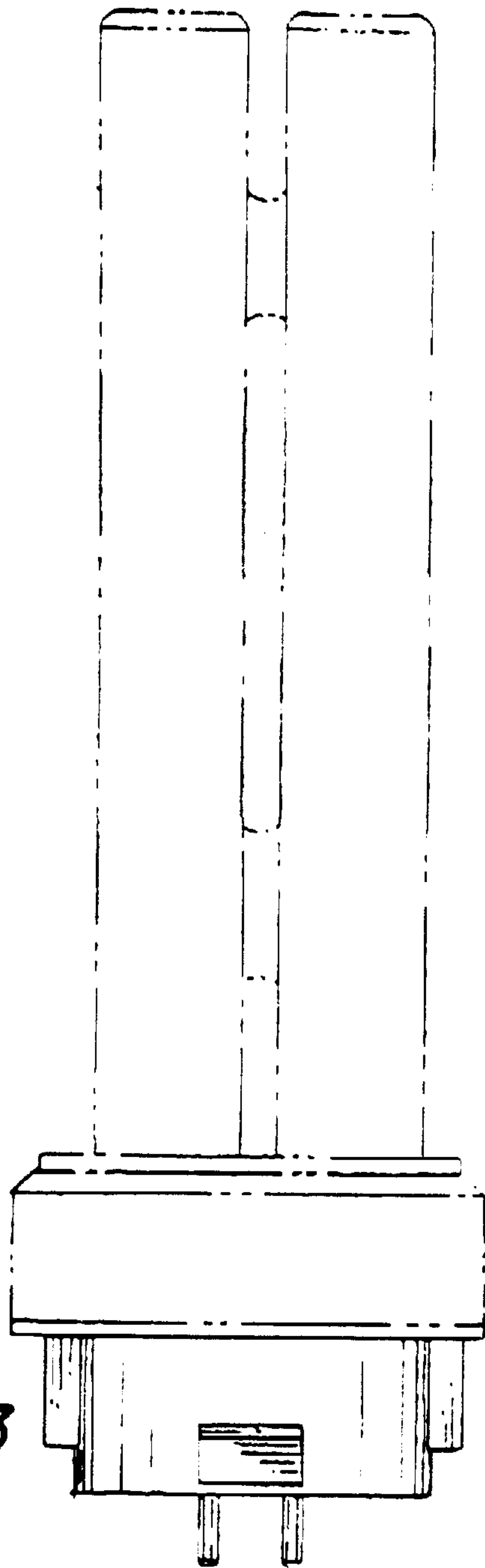


*FIG. 11*

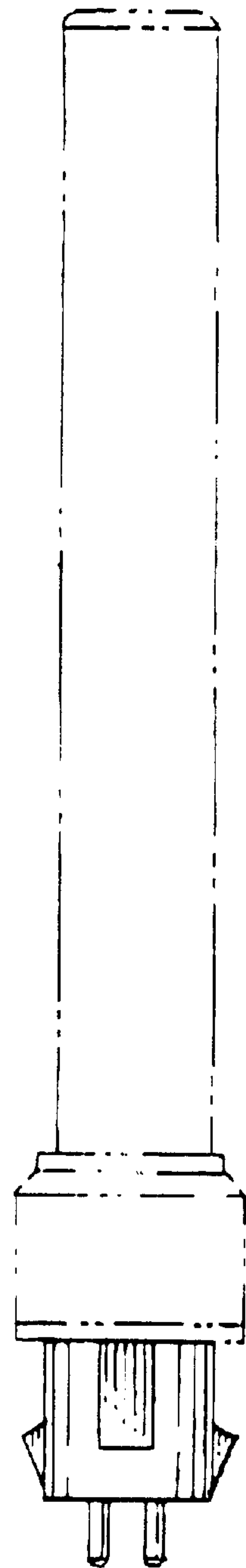


*FIG. 12*

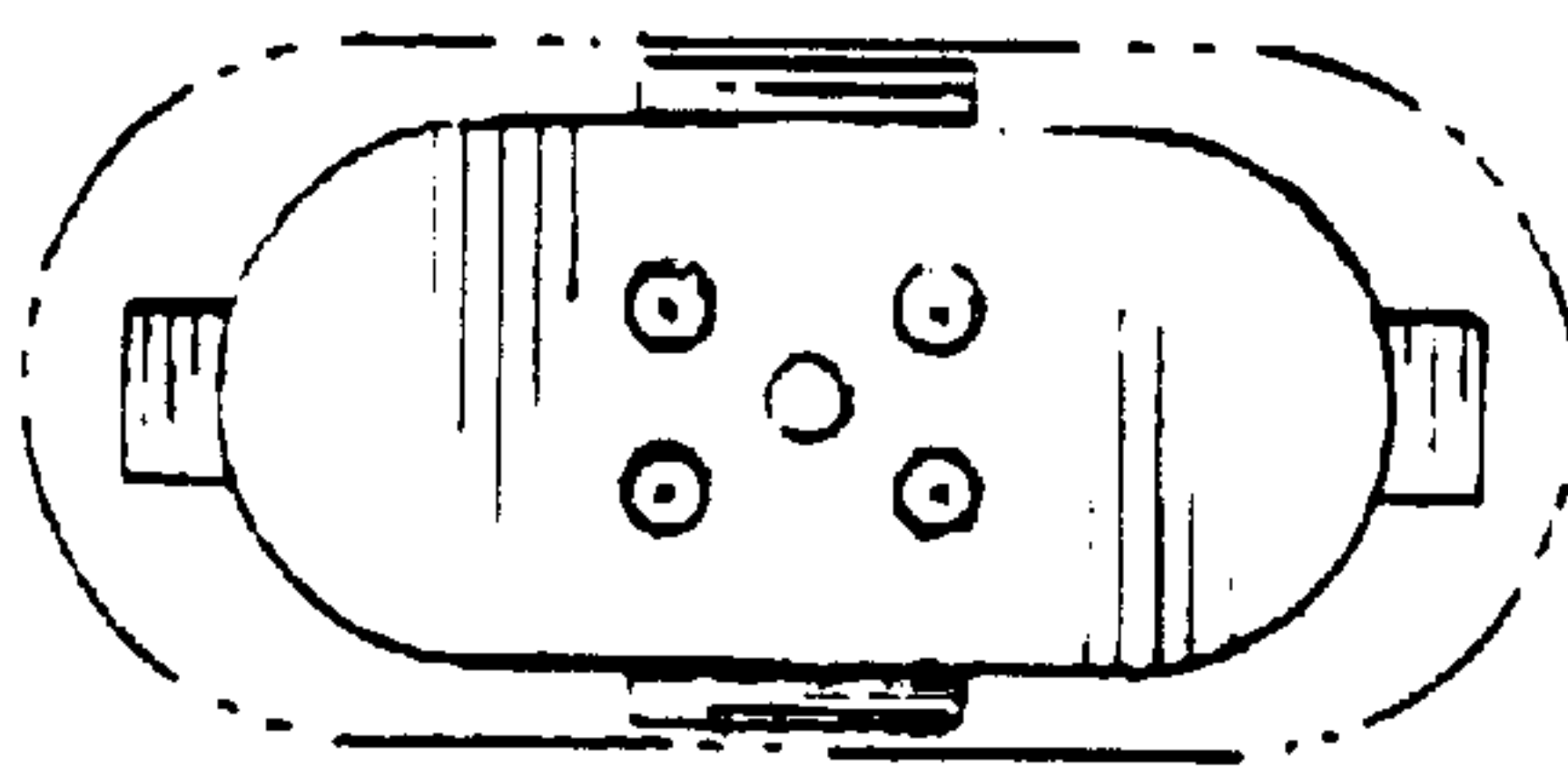




*FIG. 13*



*FIG. 14*



*FIG. 15*