



US00D481467S

(12) **United States Design Patent**
Brice

(10) **Patent No.:** **US D481,467 S**

(45) **Date of Patent:** **** Oct. 28, 2003**

(54) **TRANSPARENT STAIRCASE**

D415,579 S 10/1999 DeSouza
6,088,977 A * 7/2000 Lawrence 52/182
6,115,985 A 9/2000 Wu

(76) Inventor: **Bernard J. Brice**, 274 NW. 111th St.,
Miami Shores, FL (US) 33168

(**) Term: **14 Years**

* cited by examiner

(21) Appl. No.: **29/175,665**

Primary Examiner—Doris Clark
(74) *Attorney, Agent, or Firm*—Donald R. Schoonover

(22) Filed: **Feb. 10, 2003**

(57) **CLAIM**

(51) **LOC (7) Cl.** **25-04**

I claim the ornamental design for a transparent staircase, as shown and described.

(52) **U.S. Cl.** **D25/63**

(58) **Field of Search** D25/62, 64, 63;
52/182, 191

DESCRIPTION

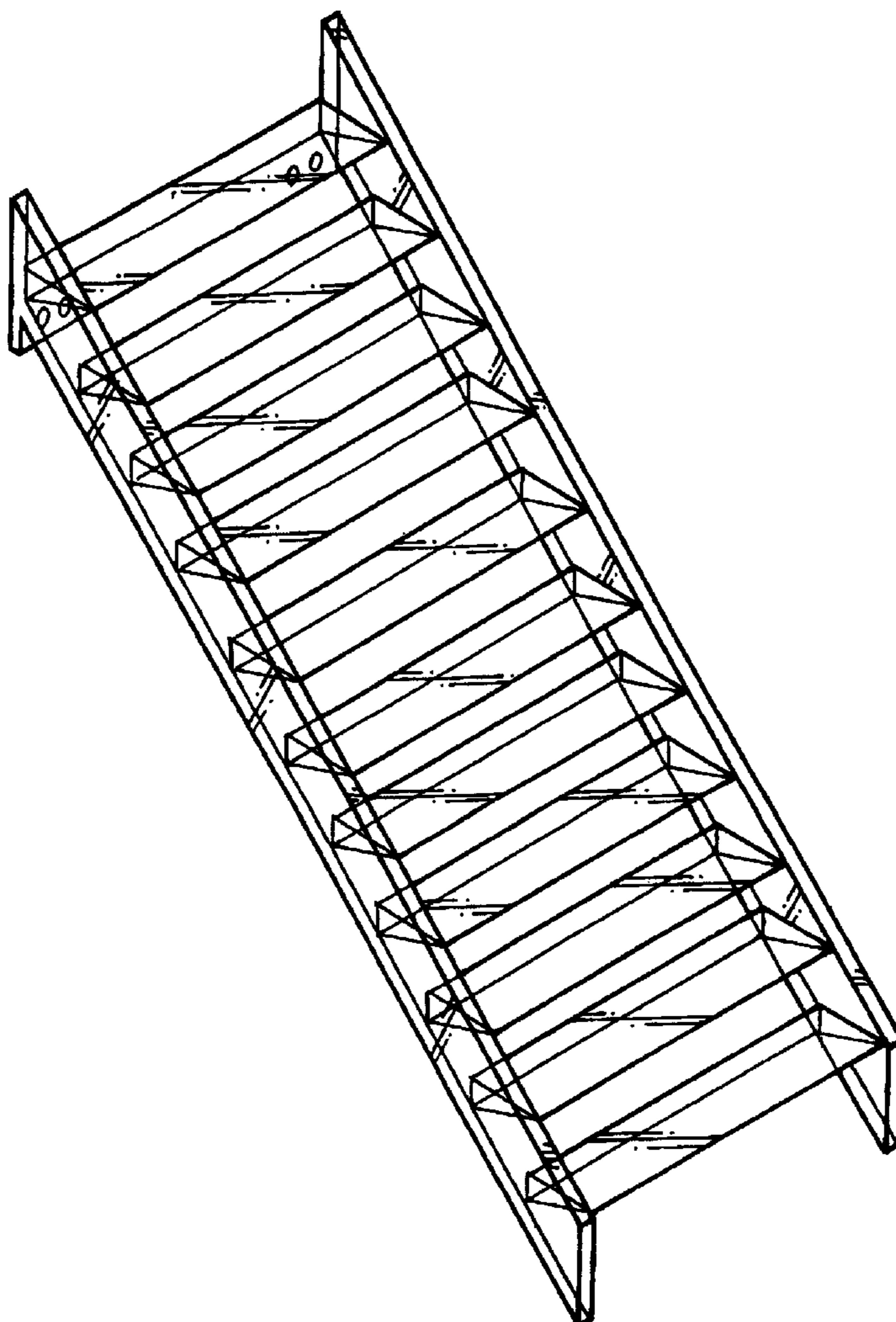
(56) **References Cited**

U.S. PATENT DOCUMENTS

D233,750 S * 11/1974 Bryan D25/63
D315,415 S 3/1991 Anthony et al.
D342,437 S 12/1993 Prezner
D373,833 S 9/1996 Lapp, Jr.
5,572,845 A 11/1996 DeSouza

FIG. 1 is a perspective view of a transparent staircase showing my new design;
FIG. 2 is a front elevational view thereof;
FIG. 3 is a rear elevational view thereof; and,
FIG. 4 is a right side elevational view thereof, the left side elevational view being a mirror image thereof.

1 Claim, 3 Drawing Sheets



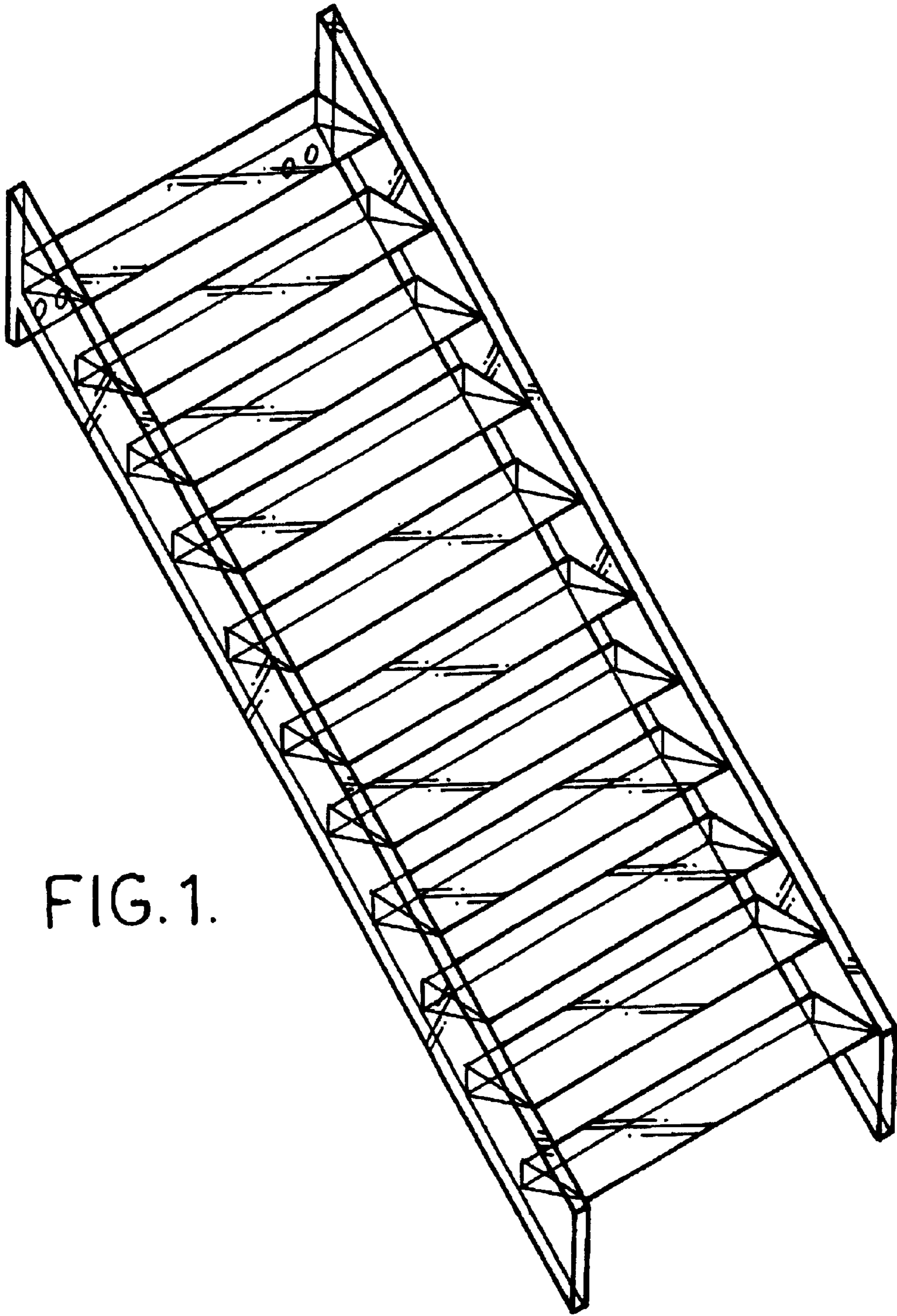
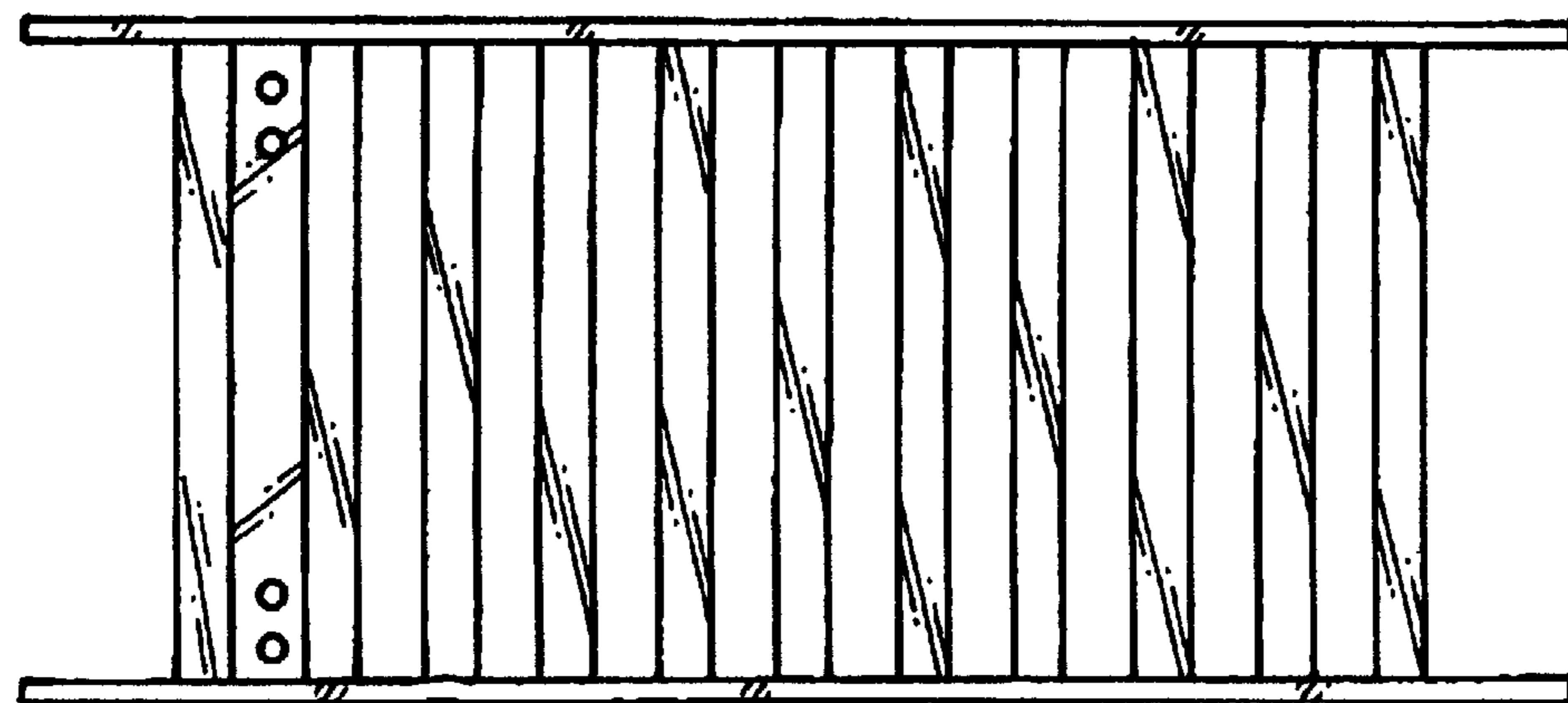
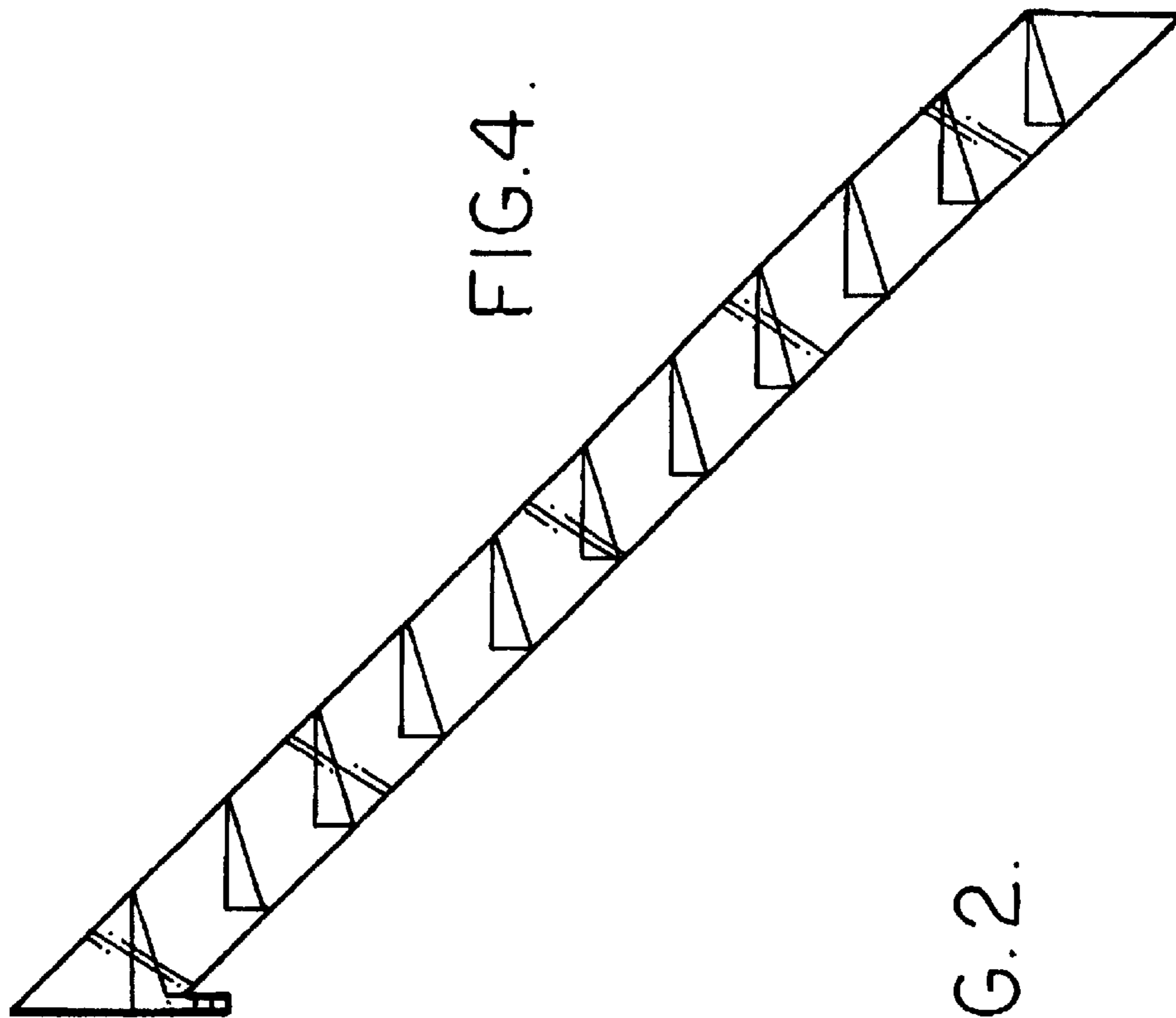


FIG. 1.



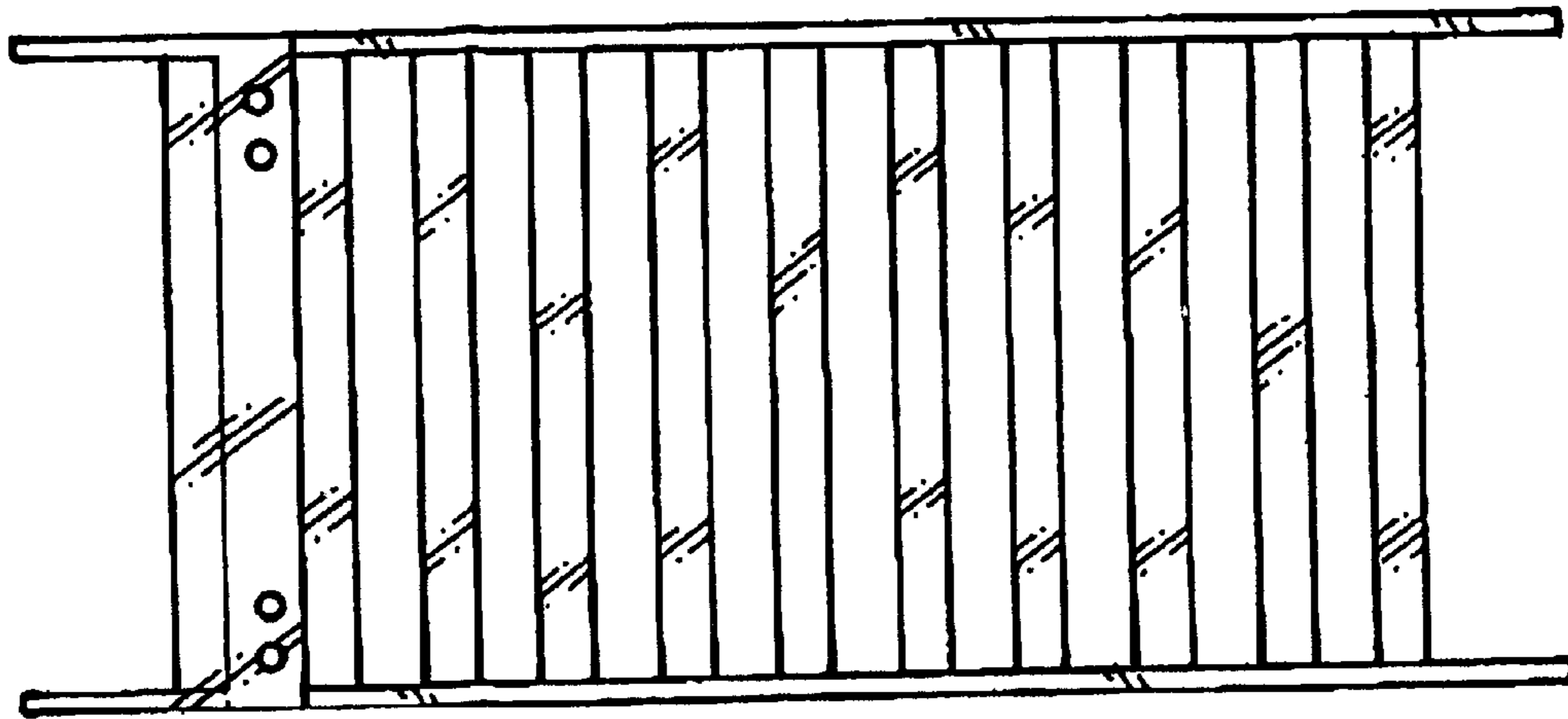


FIG.3.