



US00D481460S

(12) **United States Design Patent**
Doty et al.

(10) **Patent No.:** **US D481,460 S**

(45) **Date of Patent:** **** Oct. 28, 2003**

(54) **BRACE COMPONENTS**

(75) Inventors: **Del Ray Doty**, Carlsbad, CA (US);
Alexis Laurand Erwin, Carlsbad, CA (US)

(73) Assignee: **DJ Orthopedics, LLC**, Vista, CA (US)

(**) Term: **14 Years**

(21) Appl. No.: **29/134,095**

(22) Filed: **Dec. 12, 2000**

(51) **LOC (7) Cl.** **24-04**

(52) **U.S. Cl.** **D24/190**

(58) **Field of Search** D24/190; 602/1,
602/5, 16, 23

(56) **References Cited**

U.S. PATENT DOCUMENTS

1,018,452	A	2/1912	Slaughter	
1,780,959	A	11/1930	Wilkes	
2,958,325	A	11/1960	Claydon et al.	
3,913,570	A	10/1975	Madden et al.	
D265,248	S *	6/1982	Grigorieff	D24/190
4,381,768	A	5/1983	Erichsen et al.	
4,632,097	A *	12/1986	Brooks	602/16
D291,596	S *	8/1987	Detty	D24/190
4,768,500	A *	9/1988	Mason et al.	602/26
5,244,455	A *	9/1993	Swicegood et al.	602/16
5,360,394	A *	11/1994	Christensen	602/26
5,632,725	A	5/1997	Silver et al.	
5,645,524	A	7/1997	Doyle	
5,669,873	A *	9/1997	Towsley	602/26
5,885,235	A *	3/1999	Opahle et al.	602/16

FOREIGN PATENT DOCUMENTS

DE	000367369	1/1923
FR	000730670 A	8/1932
FR	002414325 A	8/1979
GB	000019736 A	11/1902
NL	025012997	9/1925

* cited by examiner

Primary Examiner—Stella Reid

(74) *Attorney, Agent, or Firm*—Knobbe, Martens, Olson & Bear LLP

(57) **CLAIM**

The ornamental design for brace components, as shown and described.

DESCRIPTION

FIG. 1 is a front elevational view of the brace components of the present invention;

FIG. 2 is a front elevational view of the brace components of FIG. 1, illustrating the brace components in an alternative position;

FIG. 3 is a rear elevational view of the brace components of FIG. 1;

FIG. 4 is a left-side elevational view of the brace components of FIG. 1, the right-side elevational view being a mirror image thereof;

FIG. 5 is a bottom plan view of the brace components of FIG. 1, the top plan view being a mirror image thereof;

FIG. 6 is a front elevational view of a component part of the brace component of the present invention;

FIG. 7 is a rear elevational view of the component part of FIG. 6;

FIG. 8 is a left-side elevational view of the component part of FIG. 6, the right-side being a mirror image thereof;

FIG. 9 is a bottom plan view of the component part of FIG. 6;

FIG. 10 is a top plan view of the component part of FIG. 6;

FIG. 11 is a front elevational view of another component part of brace component of the present invention;

FIG. 12 is a rear elevational view of the component part of FIG. 11;

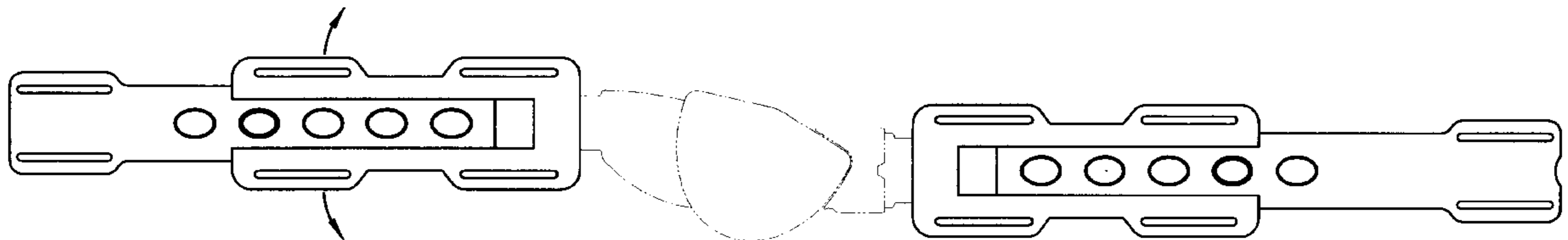
FIG. 13 is a left-side elevational view of the component part of FIG. 11, the right-side elevational view being a mirror image thereof;

FIG. 14 is a bottom plan view of the component part of FIG. 11; and,

FIG. 15 is a top plan view of the component part of FIG. 11.

The broken line showing of component parts is for illustrative purposes only and forms no part of the claimed design.

1 Claim, 5 Drawing Sheets



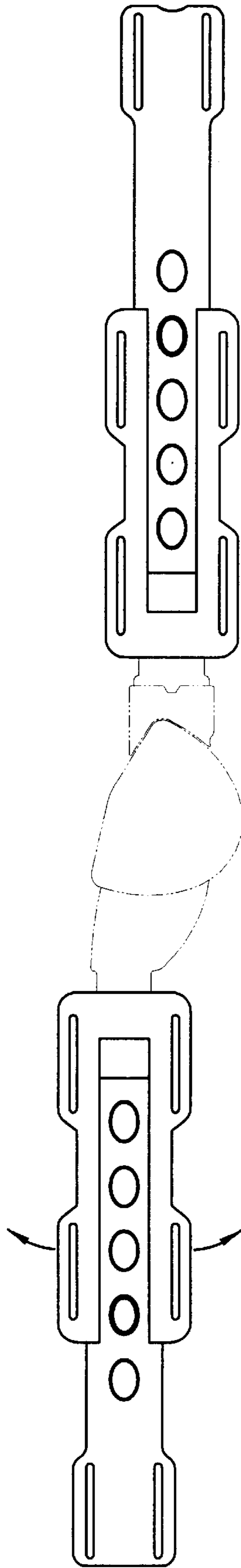
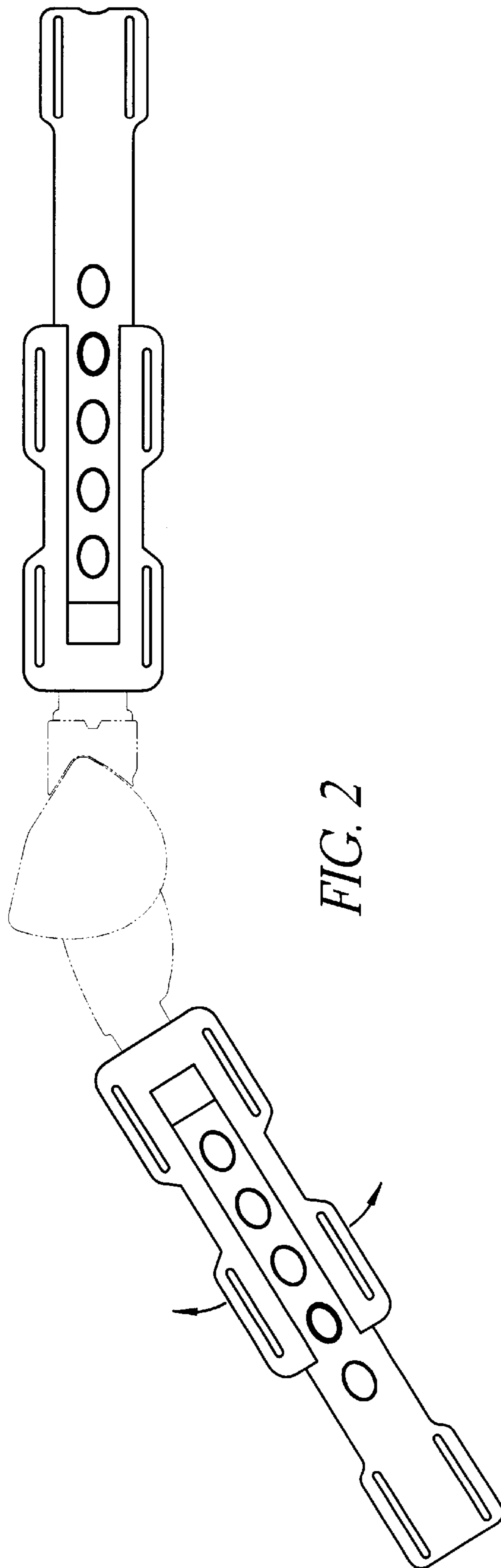


FIG. 1



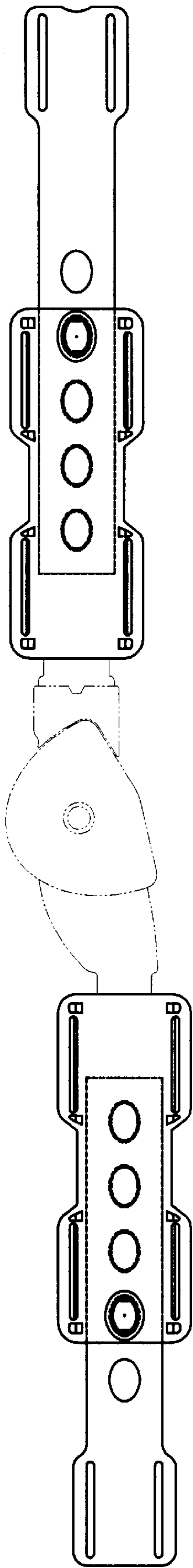


FIG. 3



FIG. 4

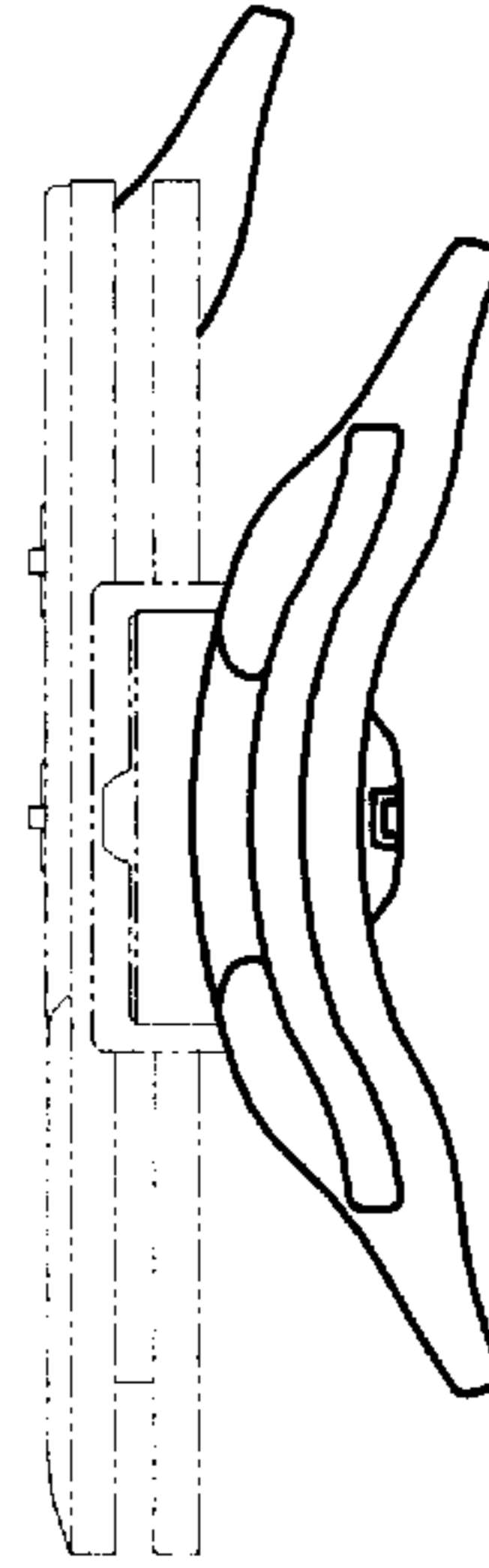


FIG. 5

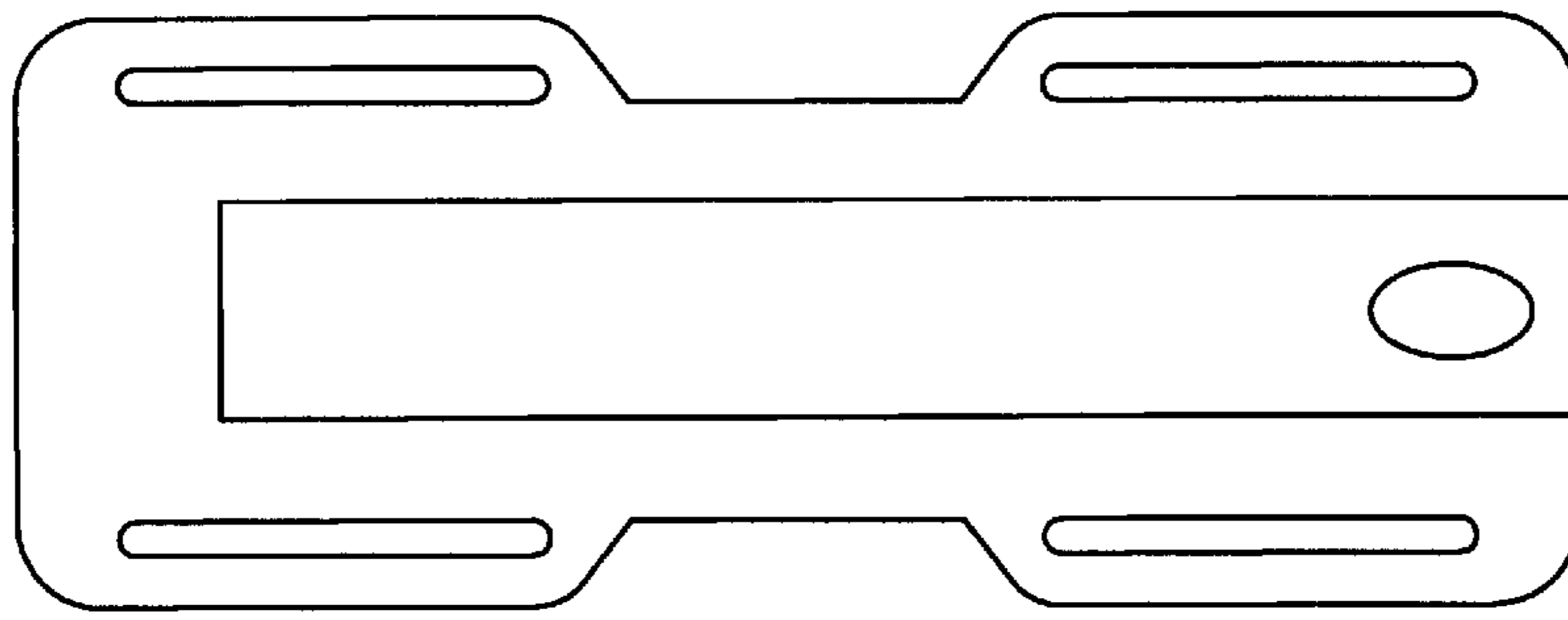


FIG. 6

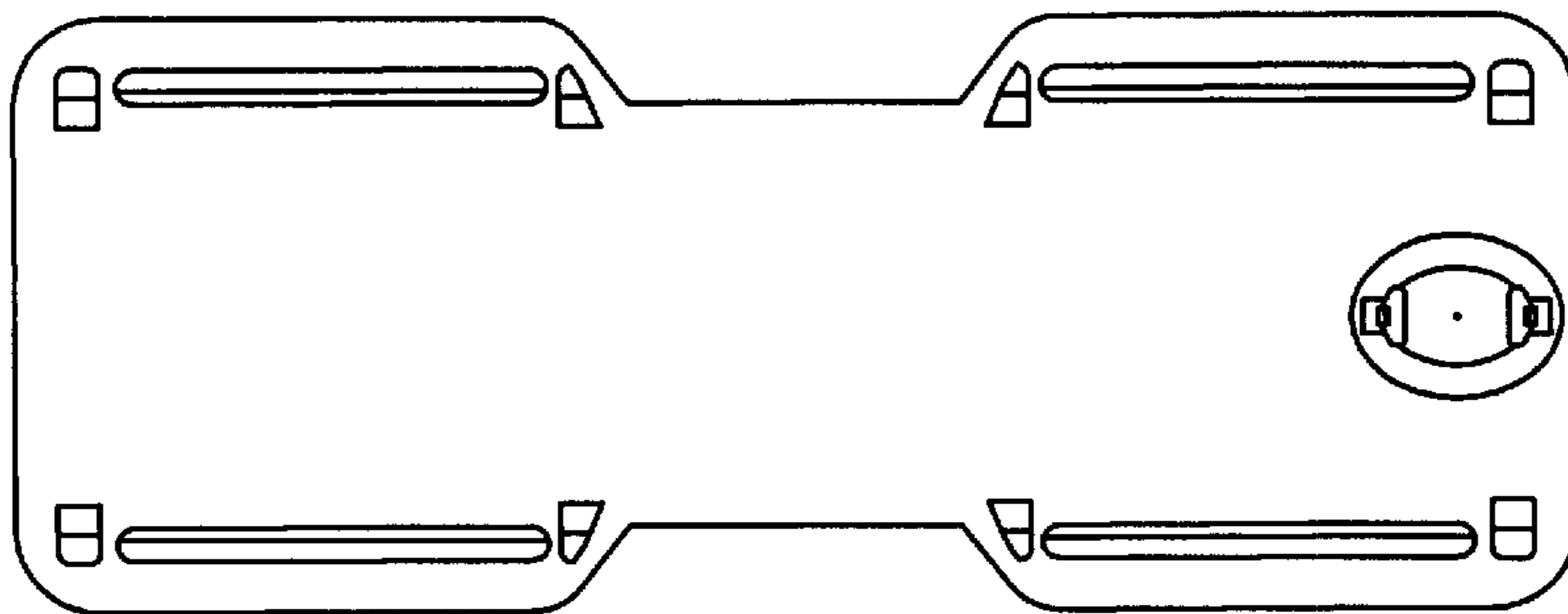


FIG. 7

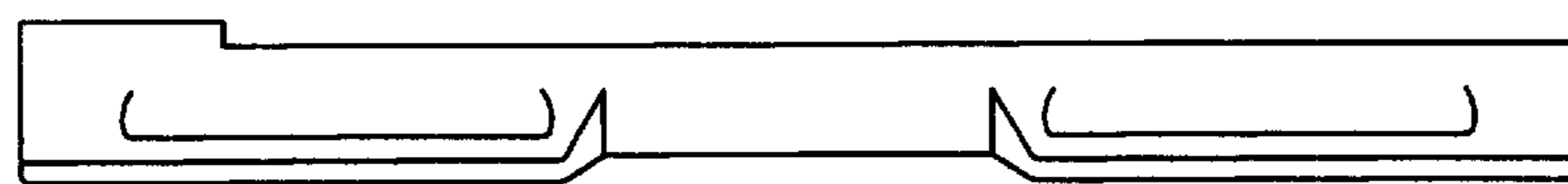


FIG. 8

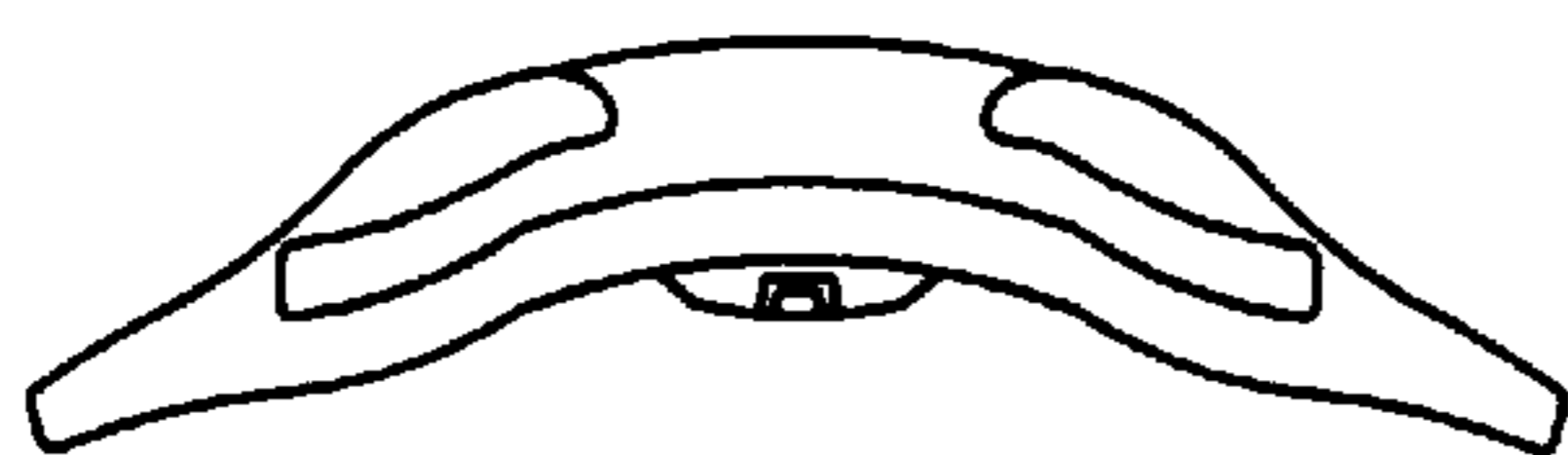


FIG. 9

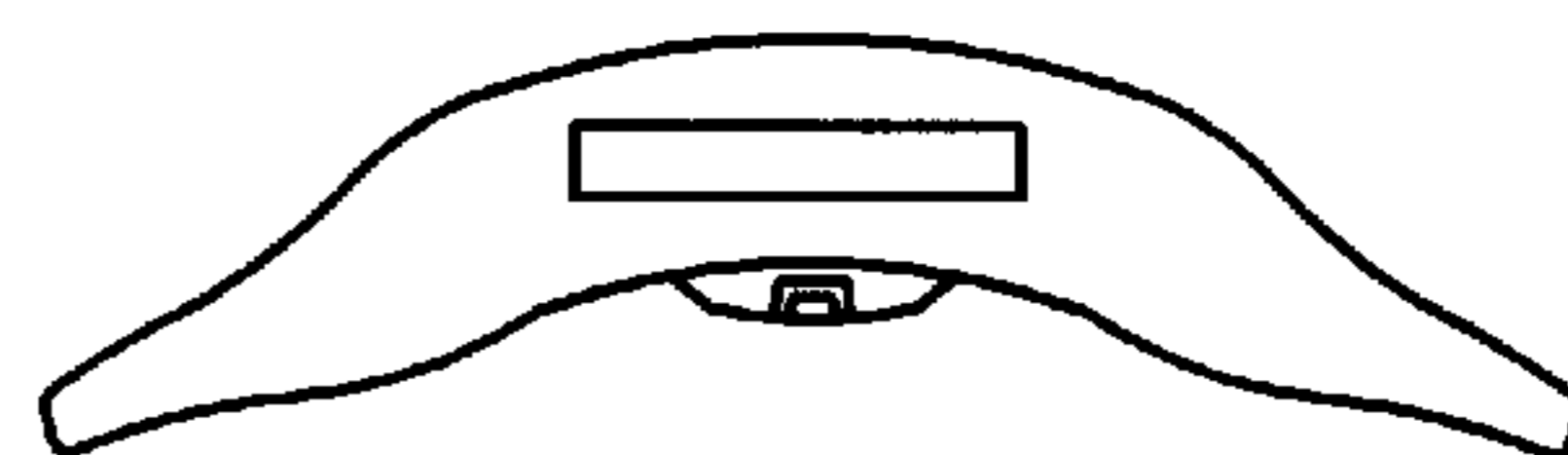


FIG. 10

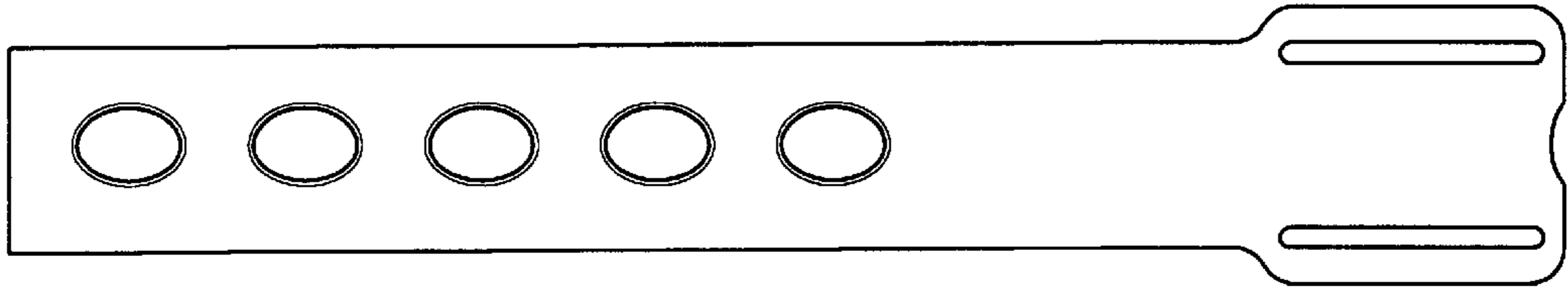


FIG. 11

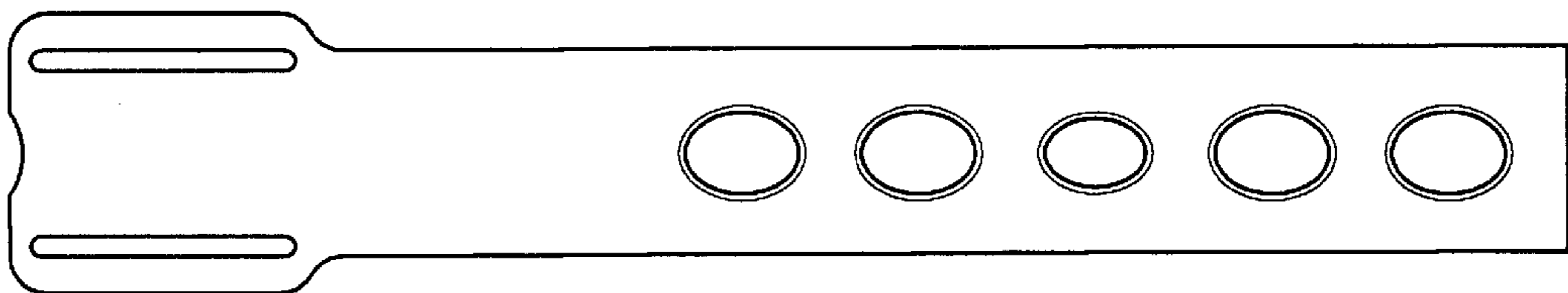


FIG. 12

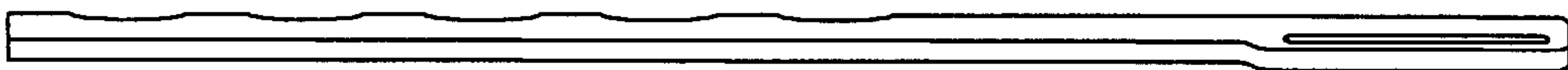


FIG. 13



FIG. 14



FIG. 15