



US00D481456S

(12) **United States Design Patent**
McAllister et al.

(10) **Patent No.:** **US D481,456 S**

(45) **Date of Patent:** **** Oct. 28, 2003**

(54) **CAPSULE**

(75) Inventors: **Stephen Mark McAllister**, Harlow (GB); **Brian Hewitt**, Hertfordshire (GB)

(73) Assignee: **SmithKline Beecham p.l.c.** (GB)

(**) Term: **14 Years**

(21) Appl. No.: **29/164,732**

(22) Filed: **Jul. 29, 2002**

Related U.S. Application Data

(63) Continuation-in-part of application No. 29/162,299, filed on Jun. 13, 2002, which is a continuation-in-part of application No. 29/154,888, filed on Jan. 30, 2002.

(51) **LOC (7) Cl.** **24-01**

(52) **U.S. Cl.** **D24/104**

(58) **Field of Search** D24/101-104;
424/440, 441, 10.2, 10.3, 464, 467-470,
472, 474, 408, 450-457

(56) **References Cited**

U.S. PATENT DOCUMENTS

D430,932 S * 9/2000 Vickery et al. D24/104

* cited by examiner

Primary Examiner—Antoine Duval Davis

(74) *Attorney, Agent, or Firm*—Dara L. Dinner; Theodore R. Furman; Stephen Venetianer

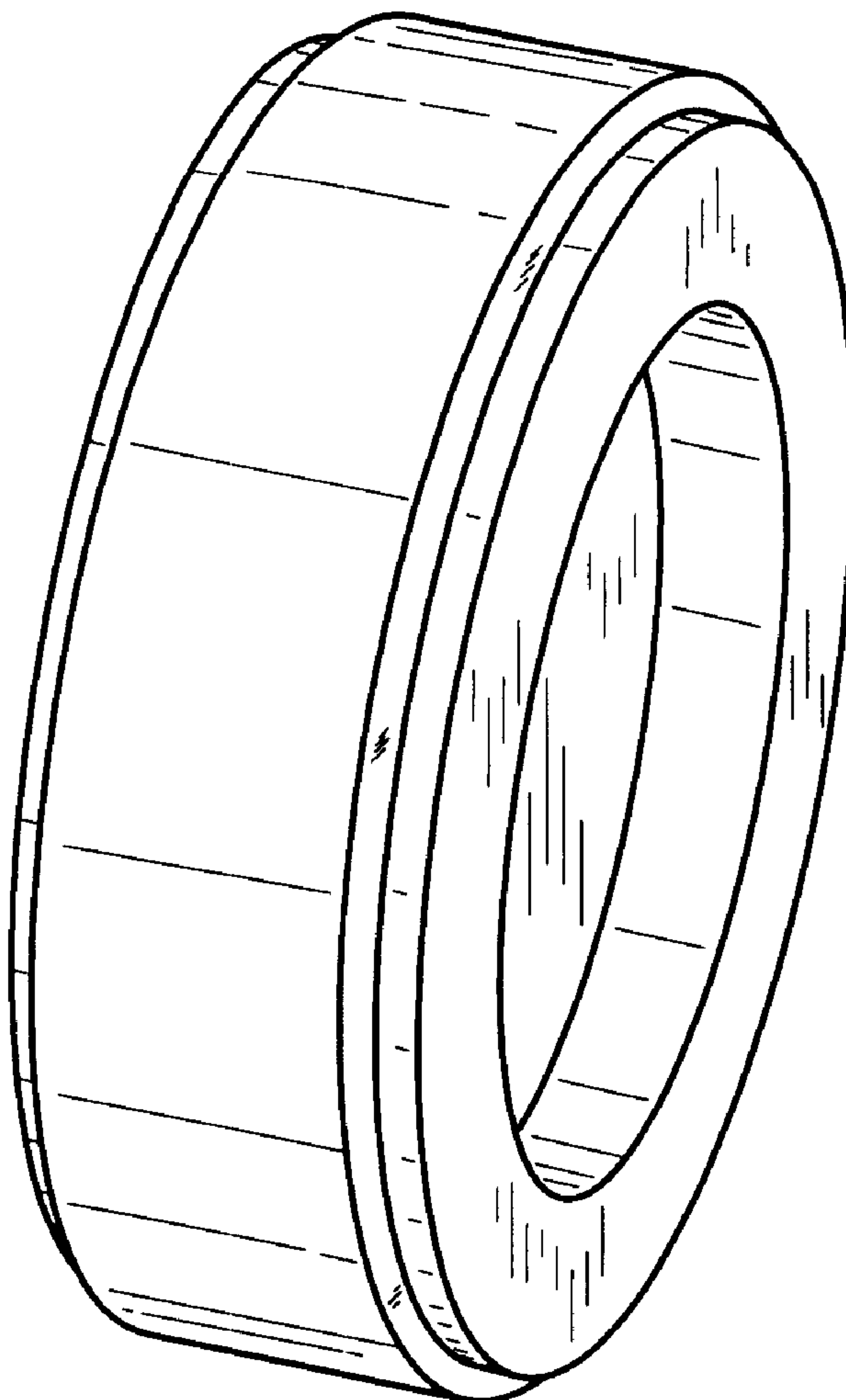
(57) **CLAIM**

The ornamental design for a capsule, as shown and described.

DESCRIPTION

FIG. 1 is a perspective view of a capsule;
FIG. 2 is a top view of the capsule of FIG. 1;
FIG. 3 is a bottom view of the capsule of FIG. 1;
FIG. 4 is a side view of the capsule of FIG. 1; and,
FIG. 5 is a second side view of the capsule of FIG. 1; this second side view is opposite the side depicted in FIG. 4.

1 Claim, 2 Drawing Sheets



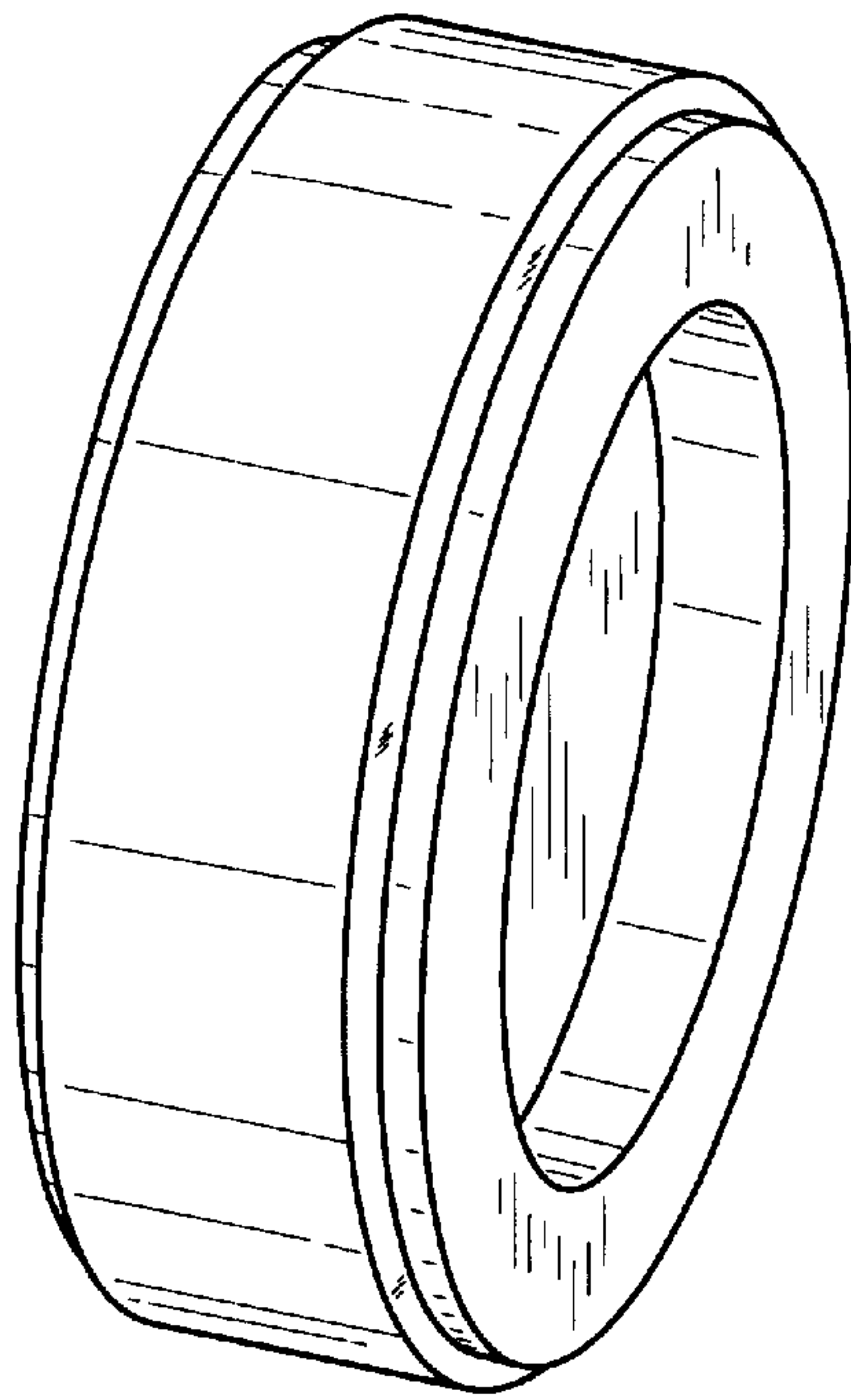


FIG. 1

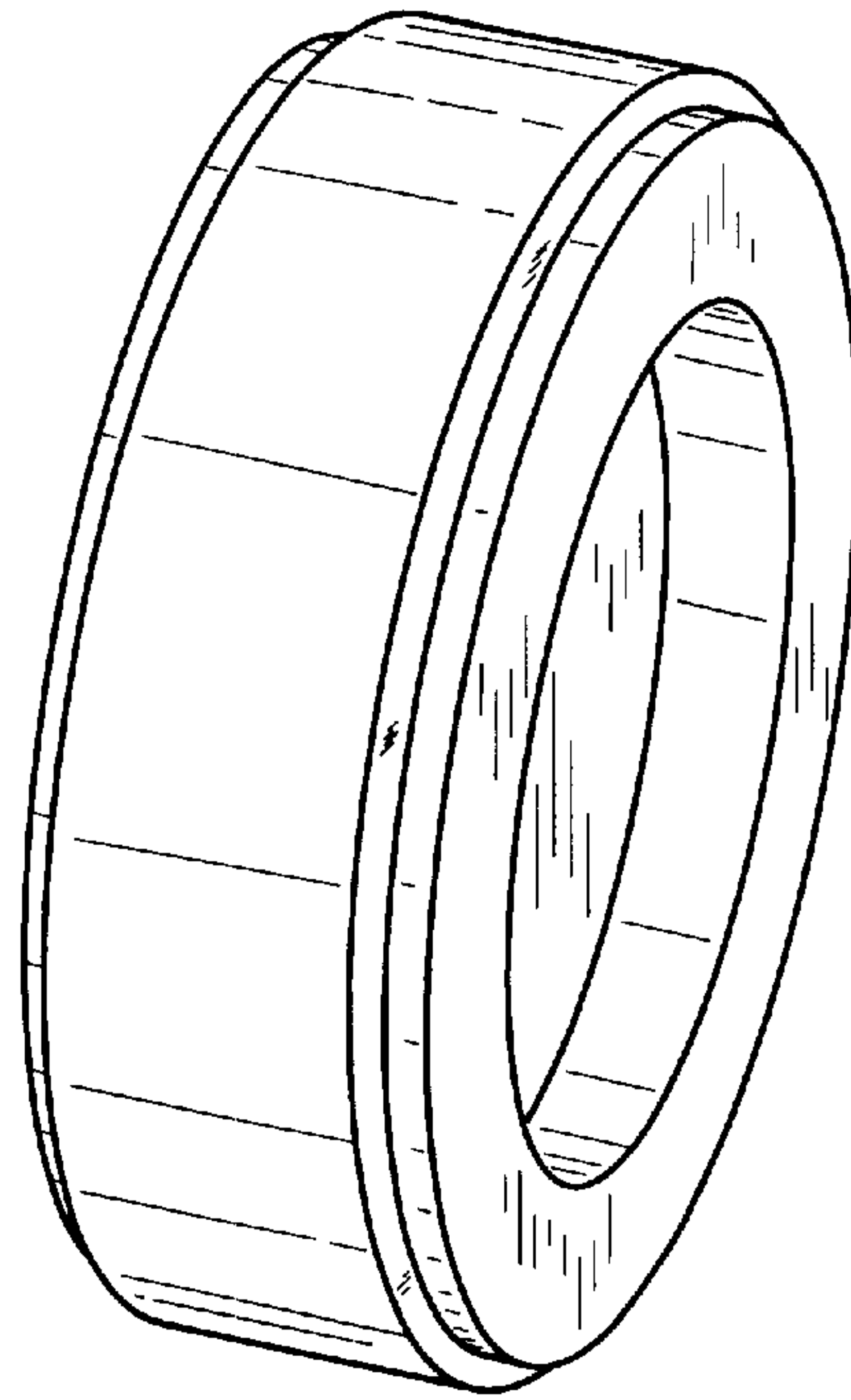


FIG. 2

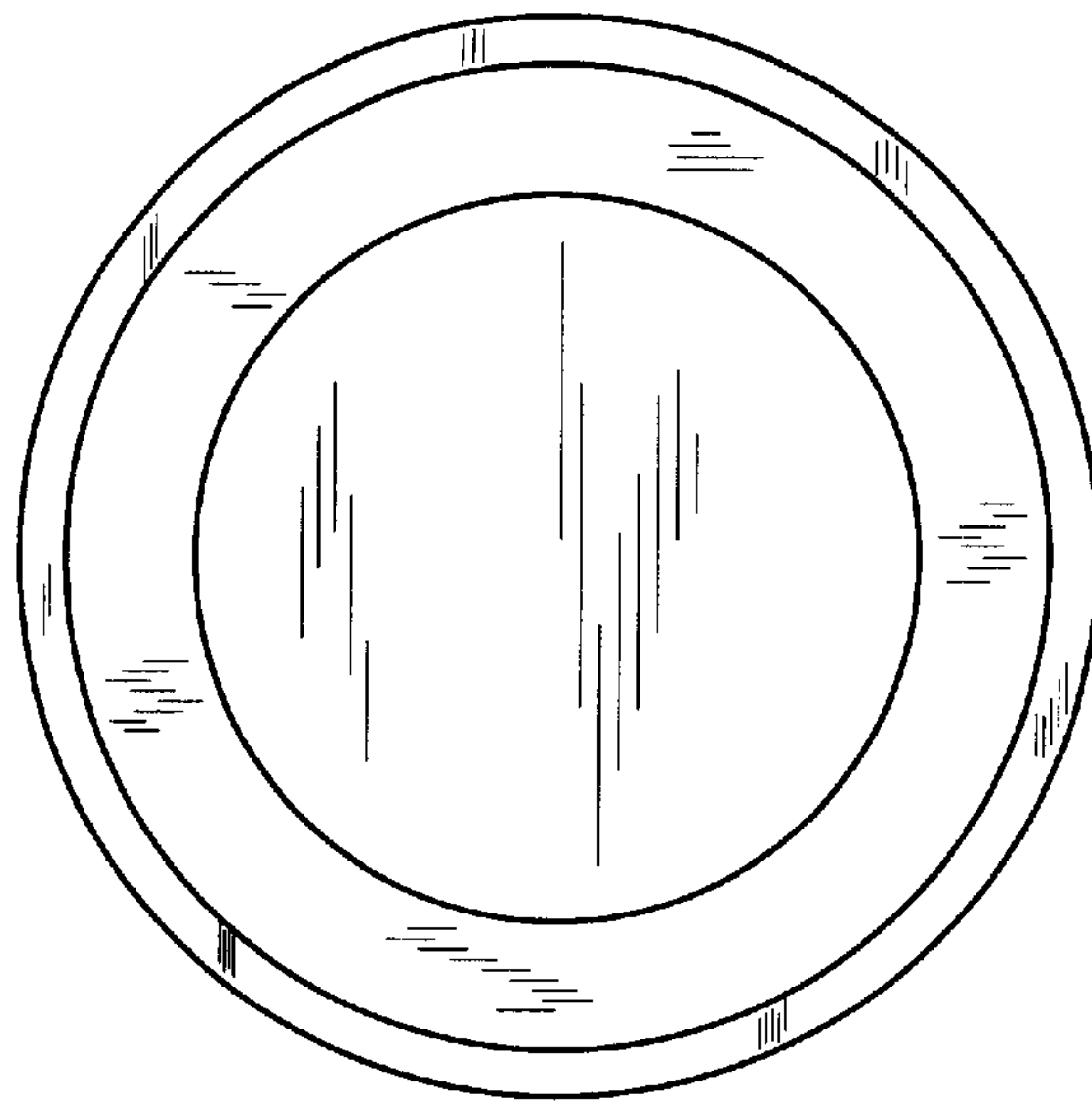


FIG. 3

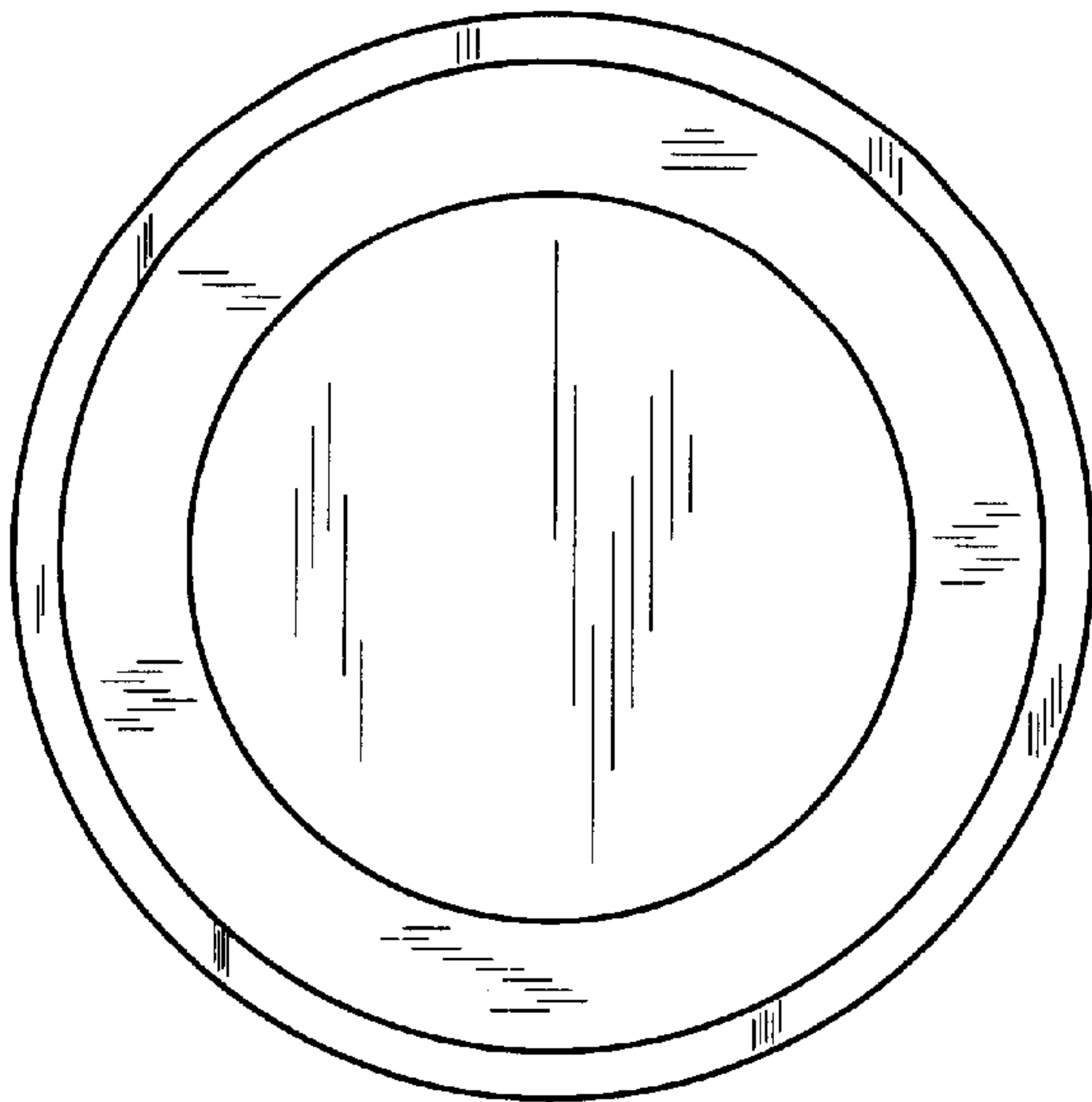


FIG. 4

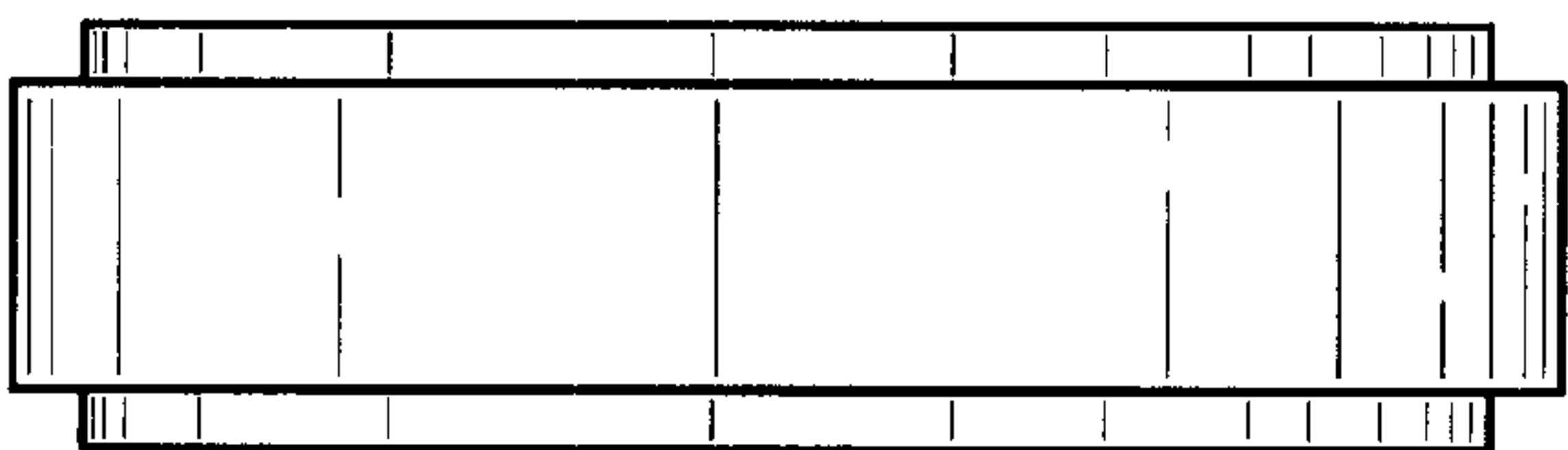


FIG. 5

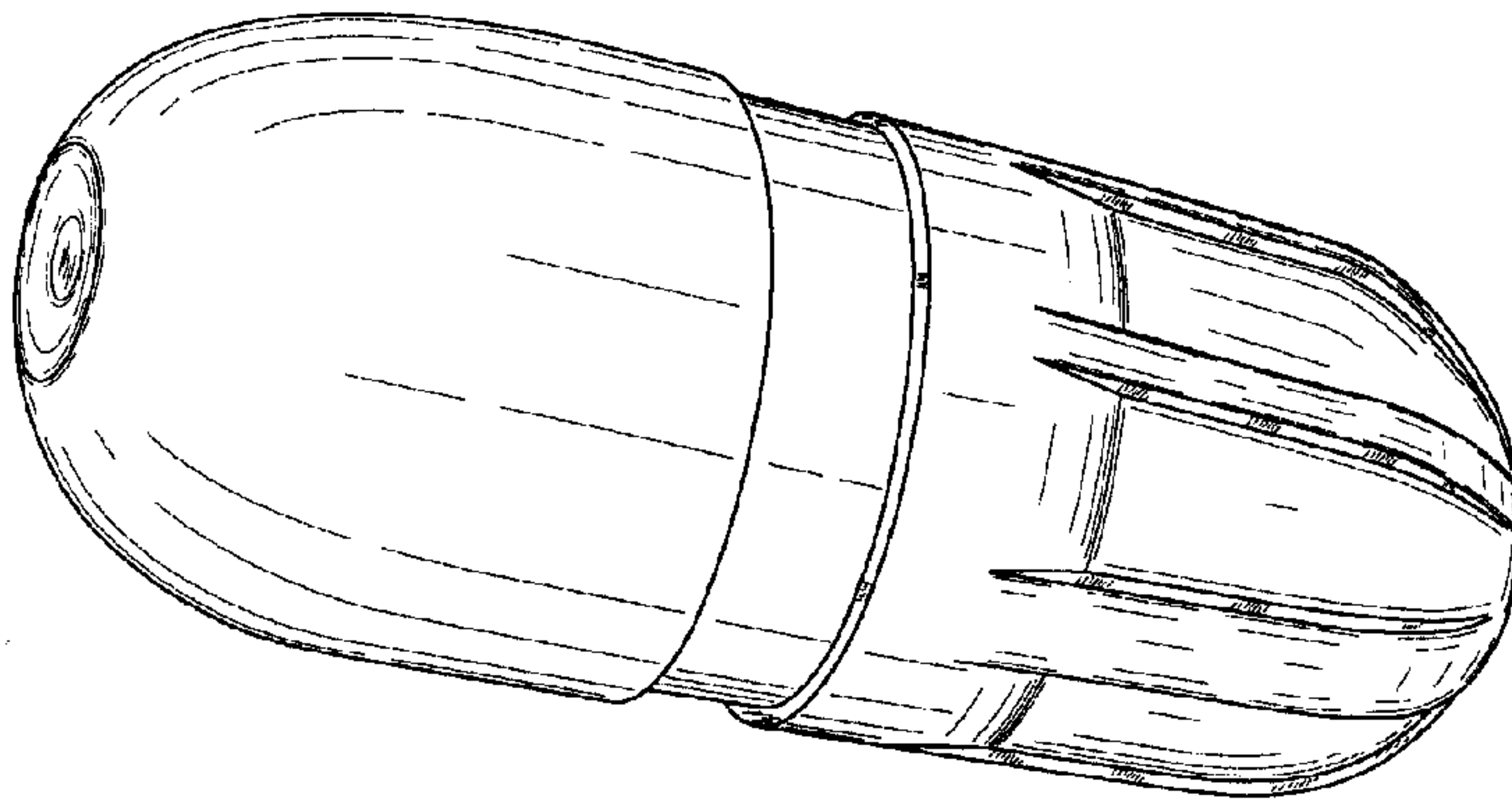
UNITED STATES PATENT AND TRADEMARK OFFICE
CERTIFICATE OF CORRECTION

PATENT NO. : Des. 481,456 S
DATED : October 28, 2003
INVENTOR(S) : Stephen Mark McAllister

Page 1 of 2

It is certified that error appears in the above-identified patent and that said Letters Patent is hereby corrected as shown below:

Title page,
Replace the Figure with the following:



Drawings,
Replace FIG.1 and FIG. 2 with the following:

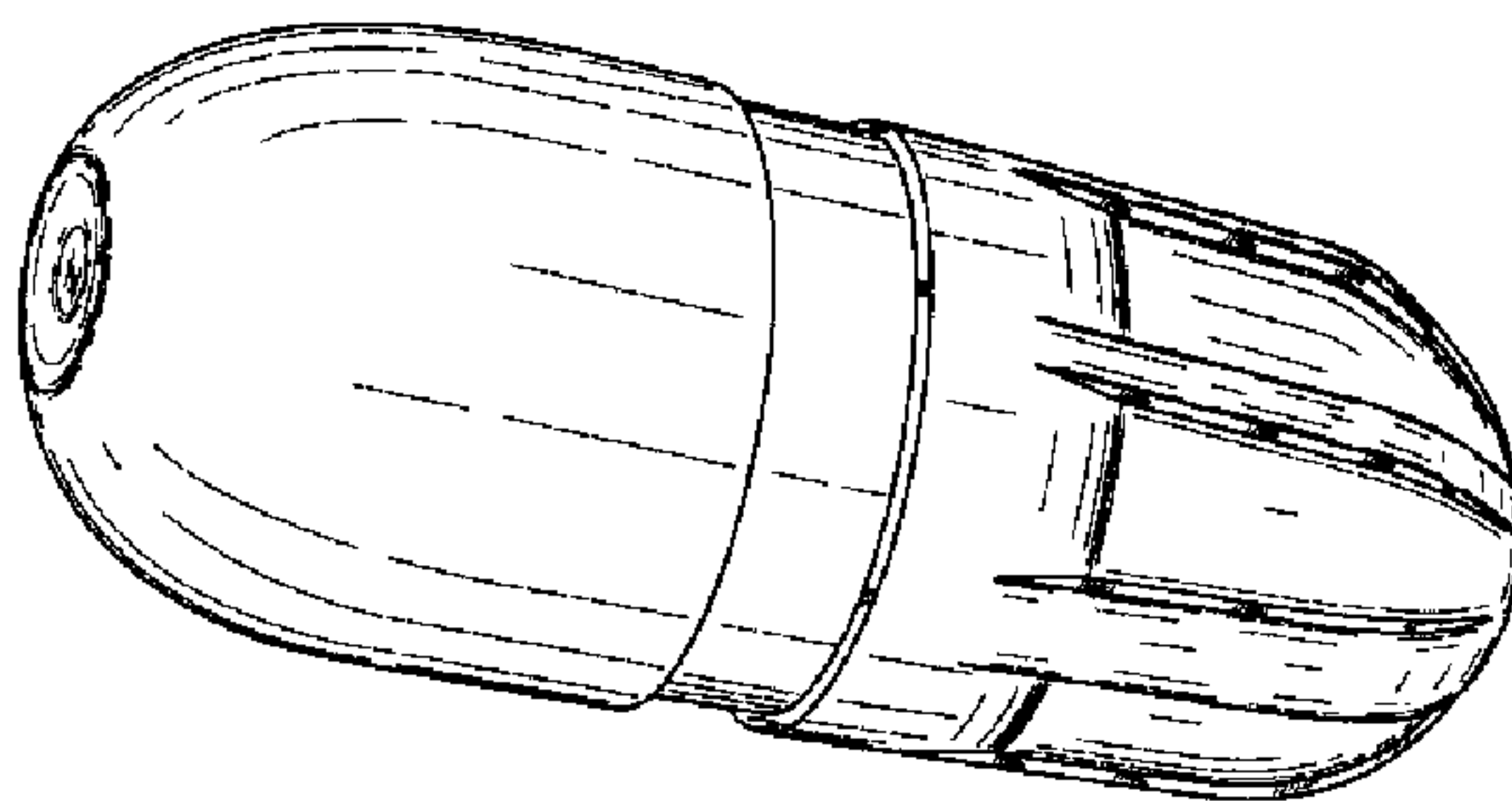


FIG. 1

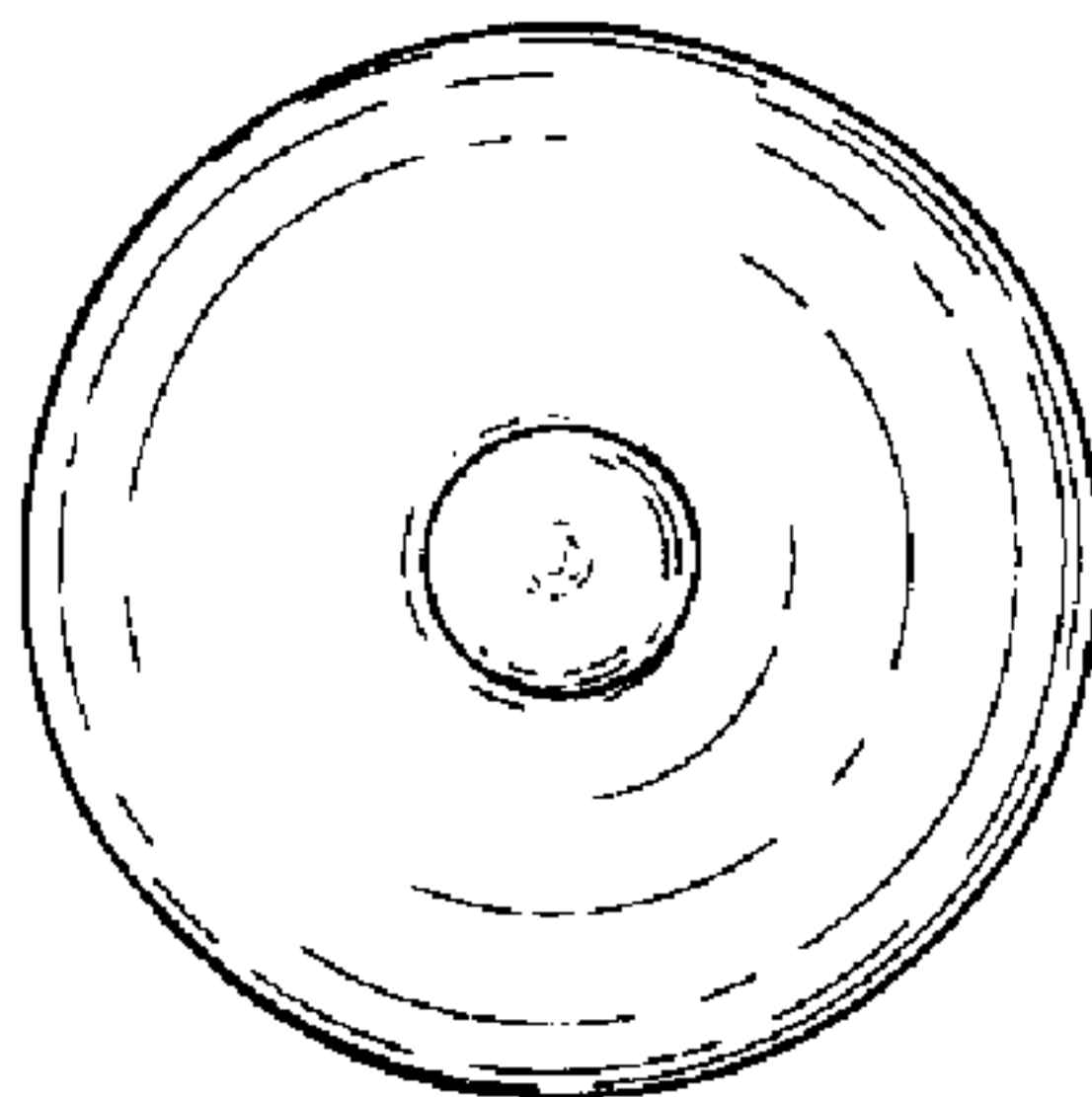


FIG. 2

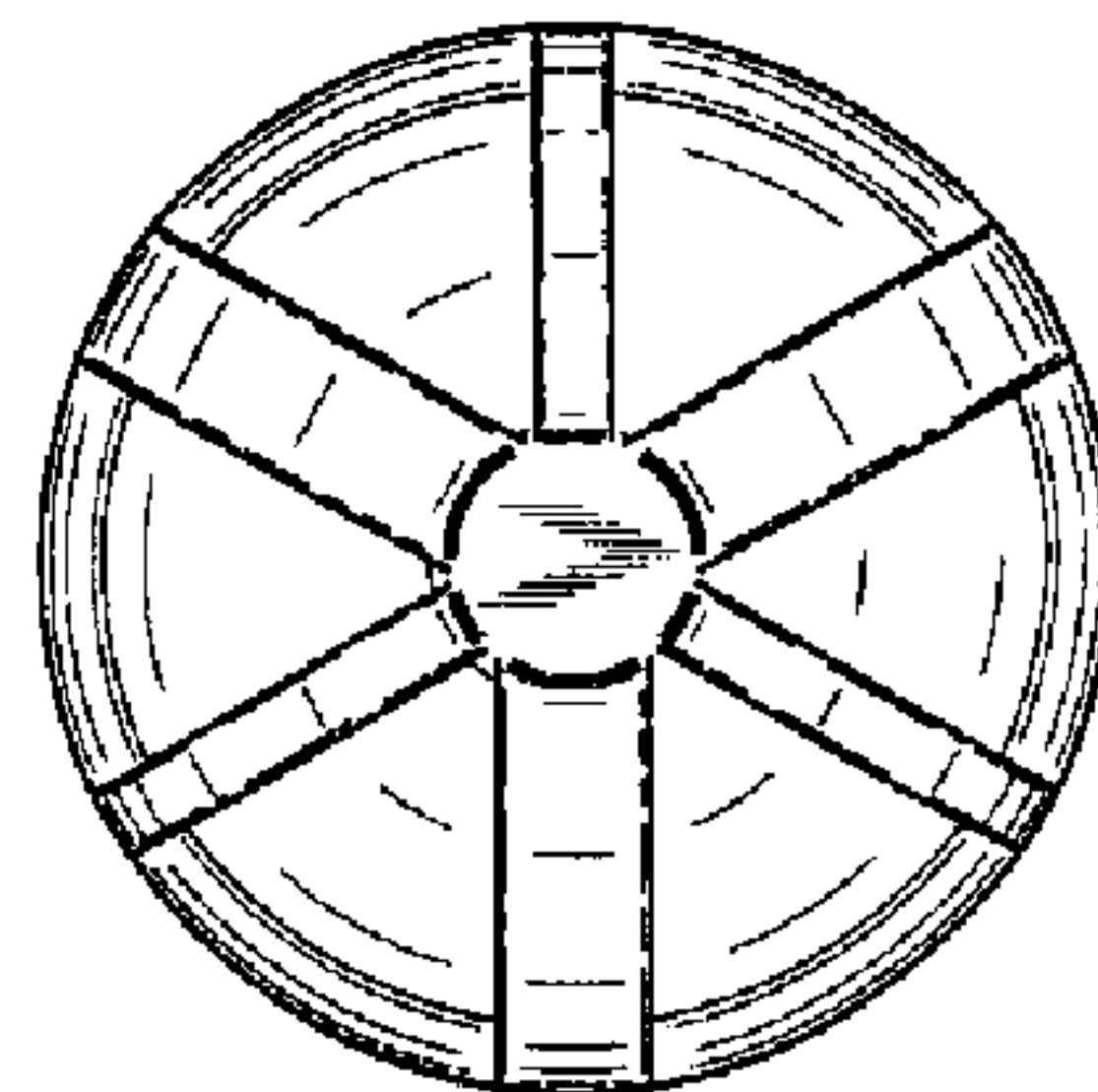


FIG. 3

UNITED STATES PATENT AND TRADEMARK OFFICE
CERTIFICATE OF CORRECTION

PATENT NO. : Des. 481,456 S
DATED : October 28, 2003
INVENTOR(S) : Stephen Mark McAllister

Page 2 of 2

It is certified that error appears in the above-identified patent and that said Letters Patent is hereby corrected as shown below:

Drawings (cont'd),
Replace FIG. 3, FIG. 4, and FIG. 5 with the following:

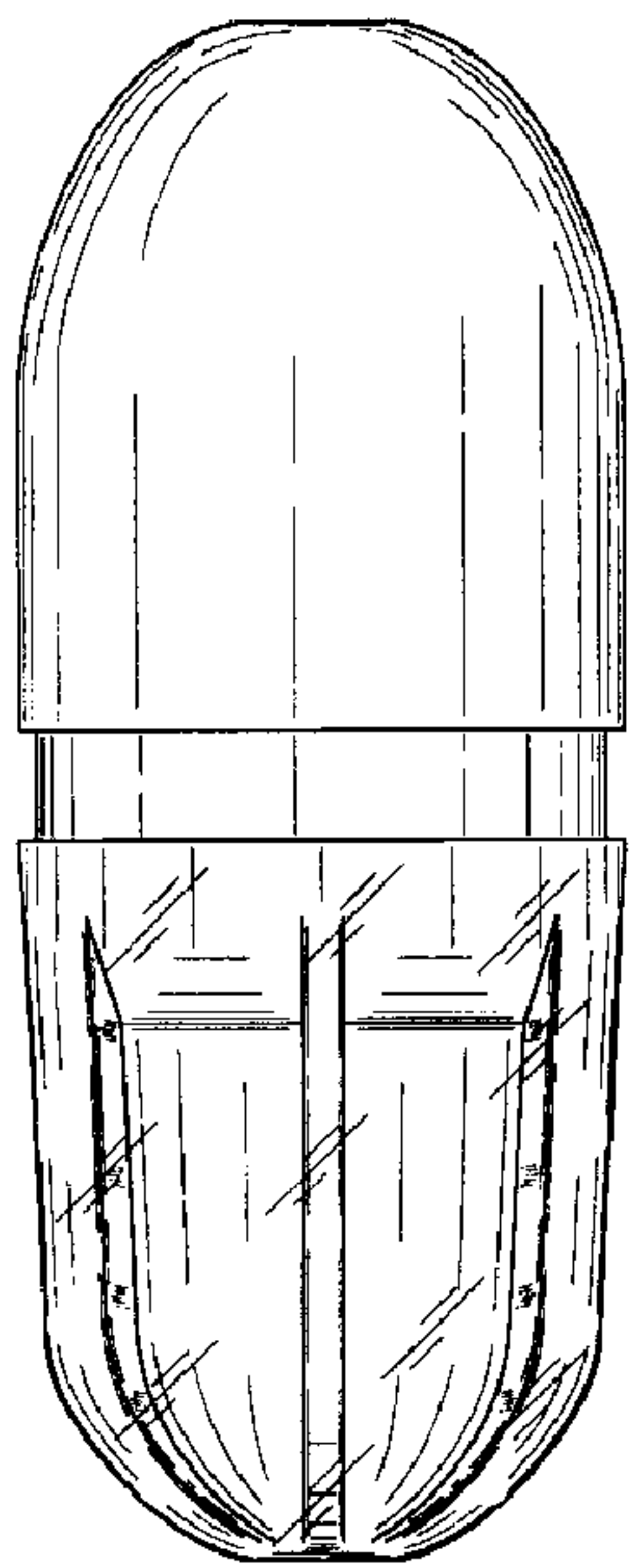


FIG. 4

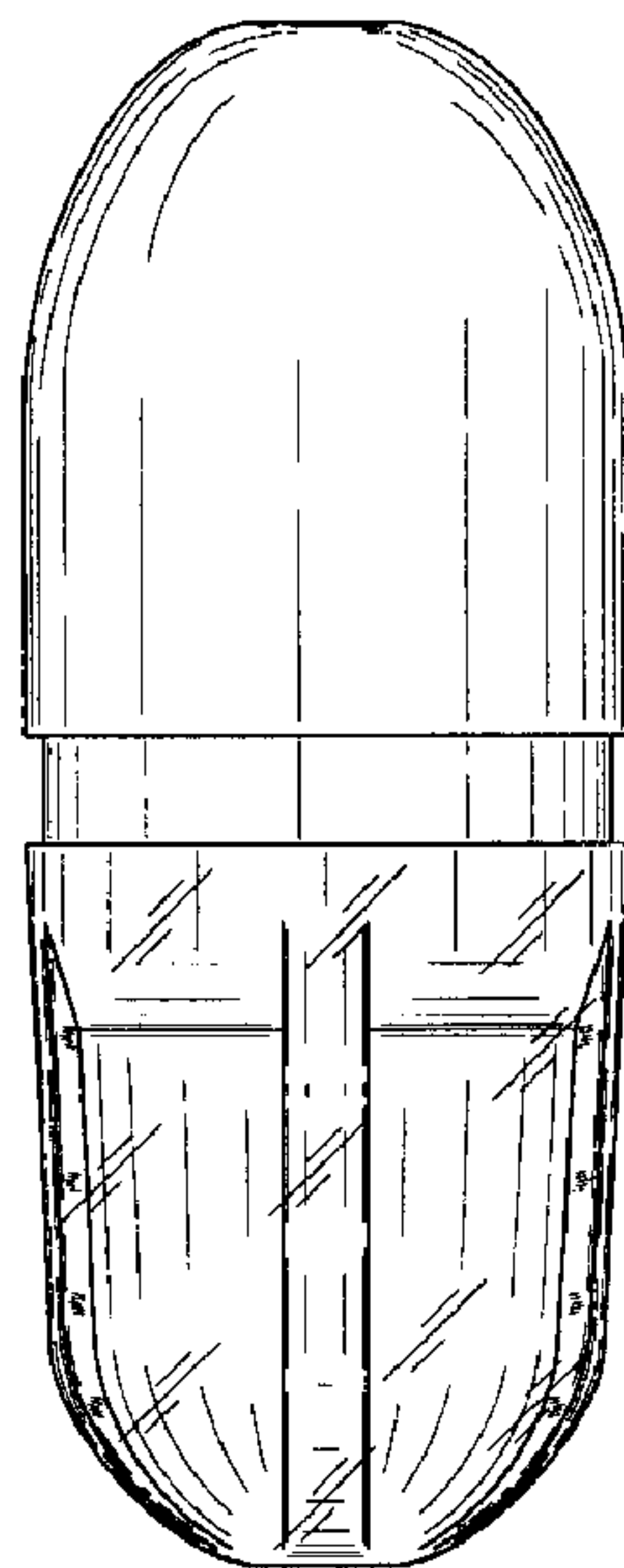


FIG. 5

Signed and Sealed this

Fifth Day of July, 2005

JON W. DUDAS

Director of the United States Patent and Trademark Office