



US00D481455S

(12) **United States Design Patent**
Young

(10) **Patent No.:** **US D481,455 S**

(45) **Date of Patent:** **** Oct. 28, 2003**

(54) **CEILING FAN BLADE IRON**

(75) Inventor: **Stanfield Young**, Cypress, CA (US)

(73) Assignee: **Minka Lighting, Inc.**, Corona, CA (US)

(**) Term: **14 Years**

(21) Appl. No.: **29/168,981**

(22) Filed: **Oct. 10, 2002**

(51) **LOC (7) Cl.** **23-04**

(52) **U.S. Cl.** **D23/411**

(58) **Field of Search** D23/411, 377,
D23/379, 385; 416/5, 210 R; 392/364

(56) **References Cited**

U.S. PATENT DOCUMENTS

D382,955 S	*	8/1997	Liu	D23/411
D426,879 S		6/2000	Gajewski	D23/411
D453,218 S		1/2002	Hidalgo	D23/377
D453,826 S		2/2002	Hidalgo	D23/377
D454,630 S		3/2002	Hidalgo	D23/377
D456,892 S	*	5/2002	Hsieh	D23/411
D458,362 S	*	6/2002	Campbell	D23/411
D458,363 S		6/2002	Hidalgo	D23/411
D461,553 S		8/2002	Gajewski	D23/411

OTHER PUBLICATIONS

U.S. patent application Ser. No. 29/468,990, filed Oct. 10, 2002, Stanfield Young.

U.S. patent application Ser. No. 29/168,986, filed Oct. 10, 2002, Stanfield Young.

U.S. patent application Ser. No. 29/168,982, filed Oct. 10, 2002, Stanfield Young.

Minka Lighting, Inc.; MinkaAire Two Thousand Two; Apr. 22, 2002; pp. 30, 31; 38, 39; Minka Lighting, Inc.; U.S.A.

* cited by examiner

Primary Examiner—Lisa Lichtenstein

(74) *Attorney, Agent, or Firm*—Jenkins & Gilchrist, P.C.

(57) **CLAIM**

The ornamental design for a ceiling fan blade iron, as shown and described.

DESCRIPTION

FIG. 1 is a perspective view from below of the ceiling fan blade iron in accordance with my design, illustrating the environment of the invention;

FIG. 2 is an enlarged bottom plan view of the ceiling fan blade iron illustrating the environment of the blade iron in accordance with my design.

FIG. 3 is an enlarged bottom plan view of the ceiling fan blade iron in accordance with my design, illustrating the environment of the invention;

FIG. 4 is a greatly enlarged left side elevation view of the ceiling fan blade iron in accordance with my design, illustrating the environment of the invention;

FIG. 5 is a greatly enlarged right side elevation view of the ceiling fan blade iron in accordance with my design;

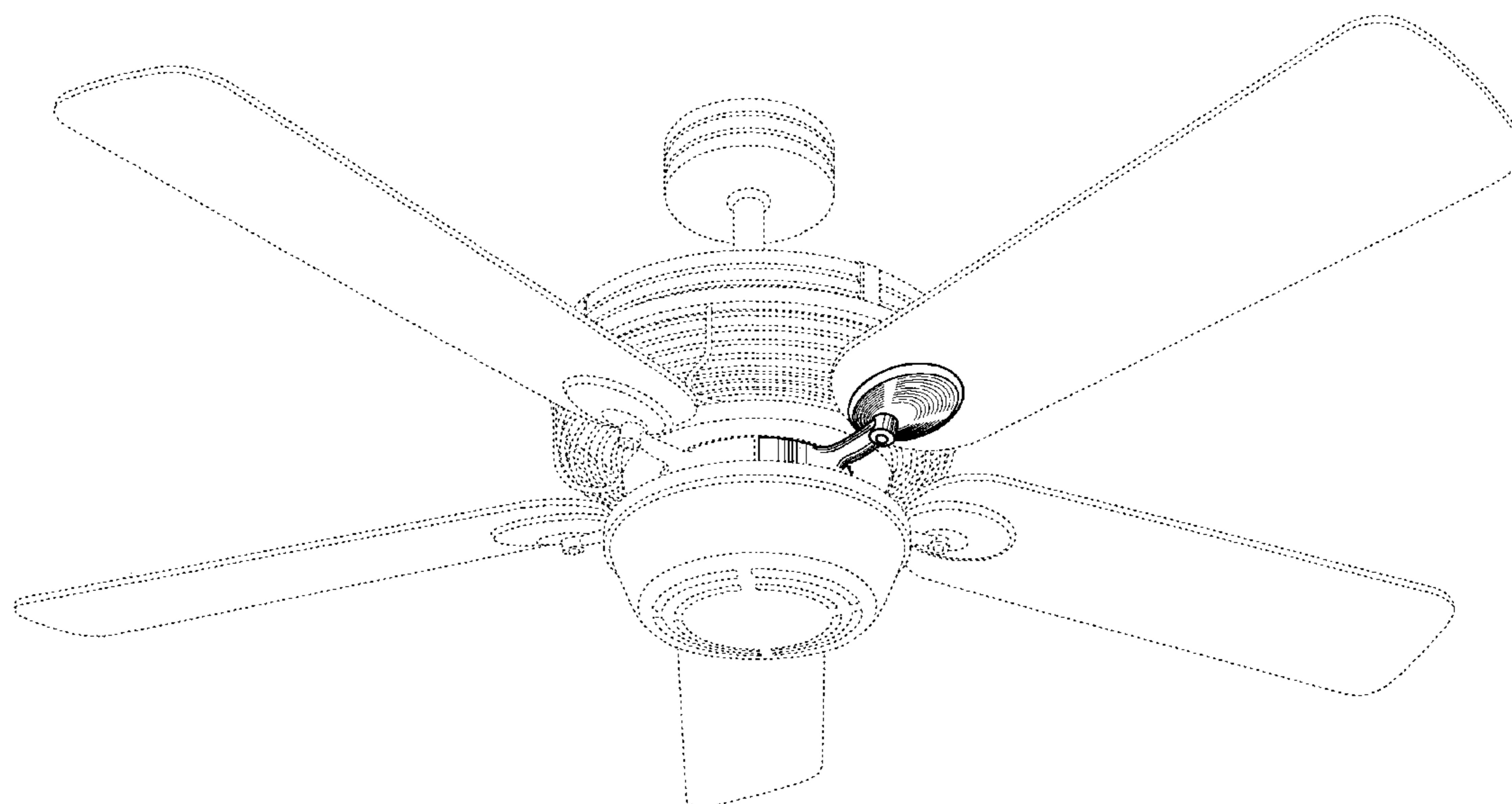
FIG. 6 is a greatly enlarged perspective view from above of the ceiling fan blade iron, in accordance with my design; and,

FIG. 7 is an greatly enlarged end view of the ceiling fan blade iron in accordance with my design.

The surfaces of the ceiling fan blade iron that attach to the ceiling fan blade are flat and unadorned and no claim thereto is made.

The broken line showing of environmental structure in FIGS. 1–6 is for illustrative purposes only and forms no part of the claimed design.

1 Claim, 3 Drawing Sheets



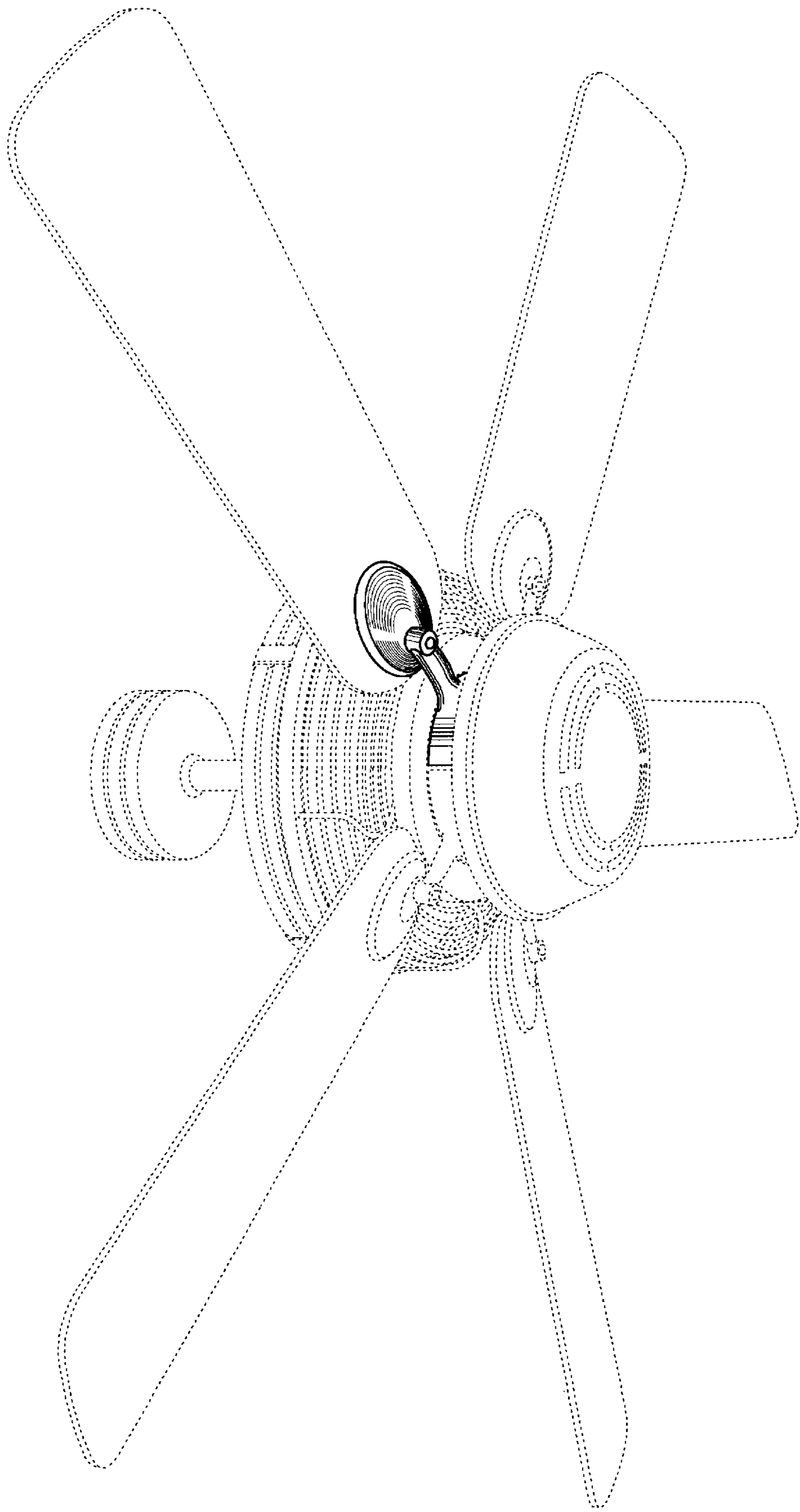


Fig. 1

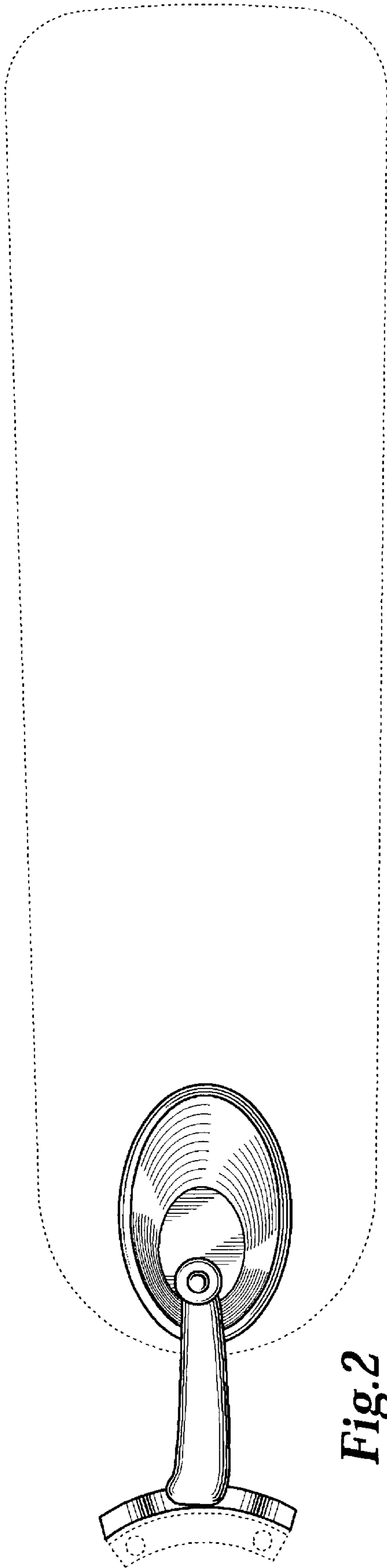


Fig. 2

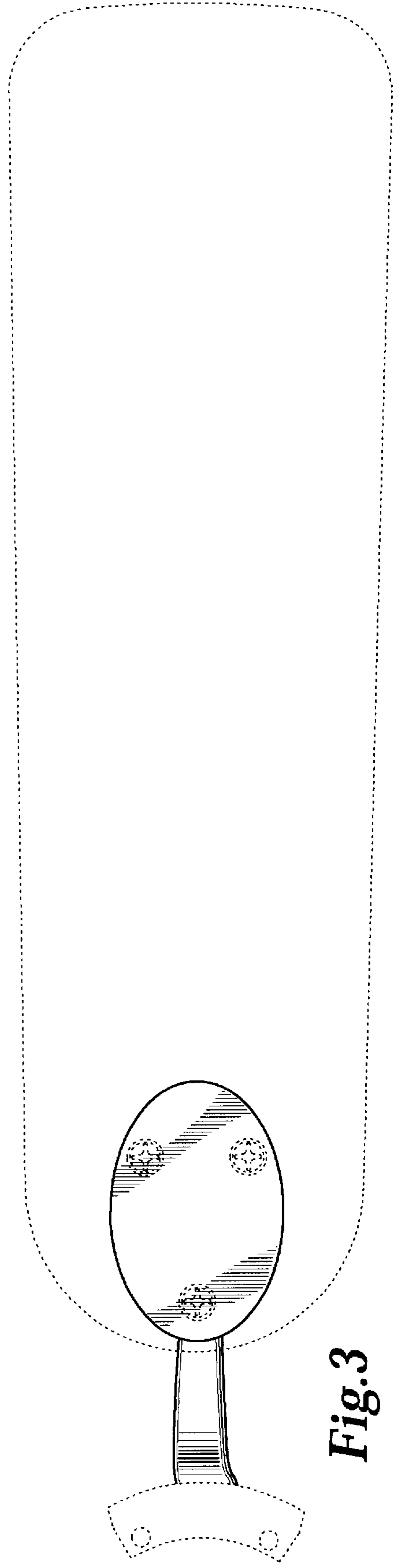


Fig. 3

