



US00D481454S

(12) **United States Design Patent**
Young

(10) **Patent No.:** **US D481,454 S**

(45) **Date of Patent:** **** Oct. 28, 2003**

(54) **CEILING FAN LIGHT FIXTURE ATTACHMENT**

DESCRIPTION

(75) Inventor: **Stanfield Young**, Cypress, CA (US)

(73) Assignee: **Minka Lighting, Inc.**, Corona, CA (US)

(**) Term: **14 Years**

(21) Appl. No.: **29/163,994**

(22) Filed: **Jul. 15, 2002**

(65) **Prior Publication Data**

(65)

(51) **LOC (7) Cl.** **23-04**

(52) **U.S. Cl.** **D23/411**

(58) **Field of Search** D23/377, 379,
D23/385, 411, 413; 416/5; 392/364; 362/96;
D26/59, 51, 72, 81-86, 88

(56) **References Cited**

U.S. PATENT DOCUMENTS

D408,904 S * 4/1999 Liu D23/377
D417,494 S * 12/1999 Evans D23/377
D424,187 S * 5/2000 Lo D23/377

OTHER PUBLICATIONS

Minka Lighting, Inc.; MinkaAire Two Thousand Two; Apr. 22, 2002; pp. 2, 3; Minka Lighting, Inc.; U.S.A.

* cited by examiner

Primary Examiner—Lisa Lichtenstein

(74) *Attorney, Agent, or Firm*—Jenkins & Gilchrist, P.C.

(57) **CLAIM**

The ornamental design for the ceiling fan light fixture attachment, as shown and described.

FIG. 1 is a perspective view from below of the ceiling fan light fixture attachment in accordance with my design, illustrating the environment of the invention;

FIG. 2 is a bottom plan view of the ceiling fan light fixture attachment, on a reduced scale in accordance with my design, illustrating the environment of the invention;

FIG. 3 is a front elevation view of the ceiling fan light fixture attachment, on a reduced scale in accordance with my design, illustrating the environment of the invention;

FIG. 4 is a greatly enlarged perspective view from below of the ceiling fan light fixture attachment in accordance with my design;

FIG. 5 is a greatly enlarged perspective view from above of the ceiling fan light fixture attachment in accordance with my design;

FIG. 6 is an enlarged side elevation view of the ceiling fan light fixture attachment in accordance with my design;

FIG. 7 is an enlarged side elevation view of the ceiling fan light fixture attachment in accordance with my design;

FIG. 8 is an enlarged top plan view of the ceiling fan light fixture attachment in accordance with my design; and,

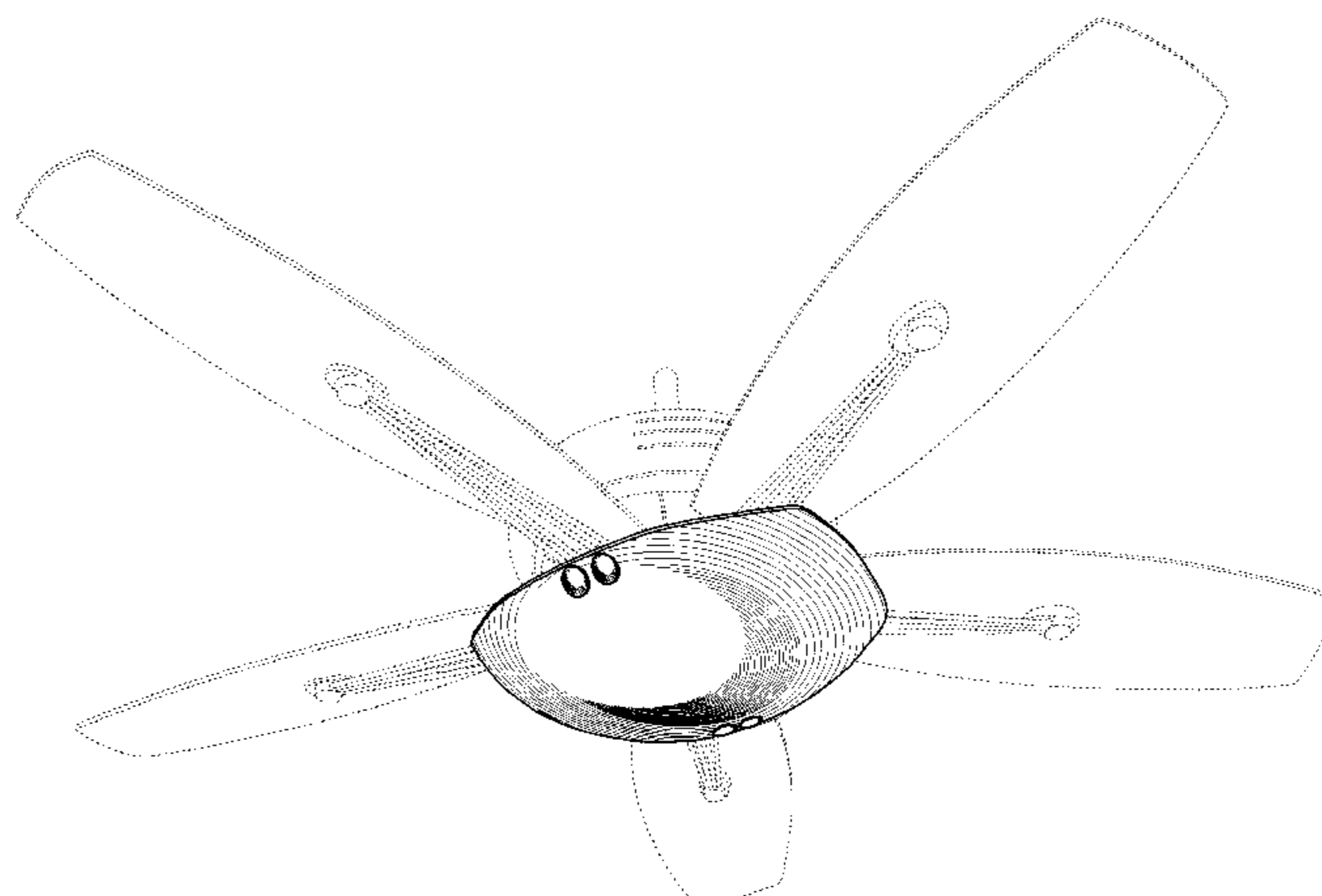
FIG. 9 is an enlarged bottom plan view of the ceiling fan light fixture attachment in accordance with my design.

The right and left elevational views are mirror images of each other.

The front and rear elevation views are mirror images of each other.

The broken line showing of environmental structure in FIGS. 1-3 is for illustrative purposes only and forms no part of the claimed design.

1 Claim, 4 Drawing Sheets



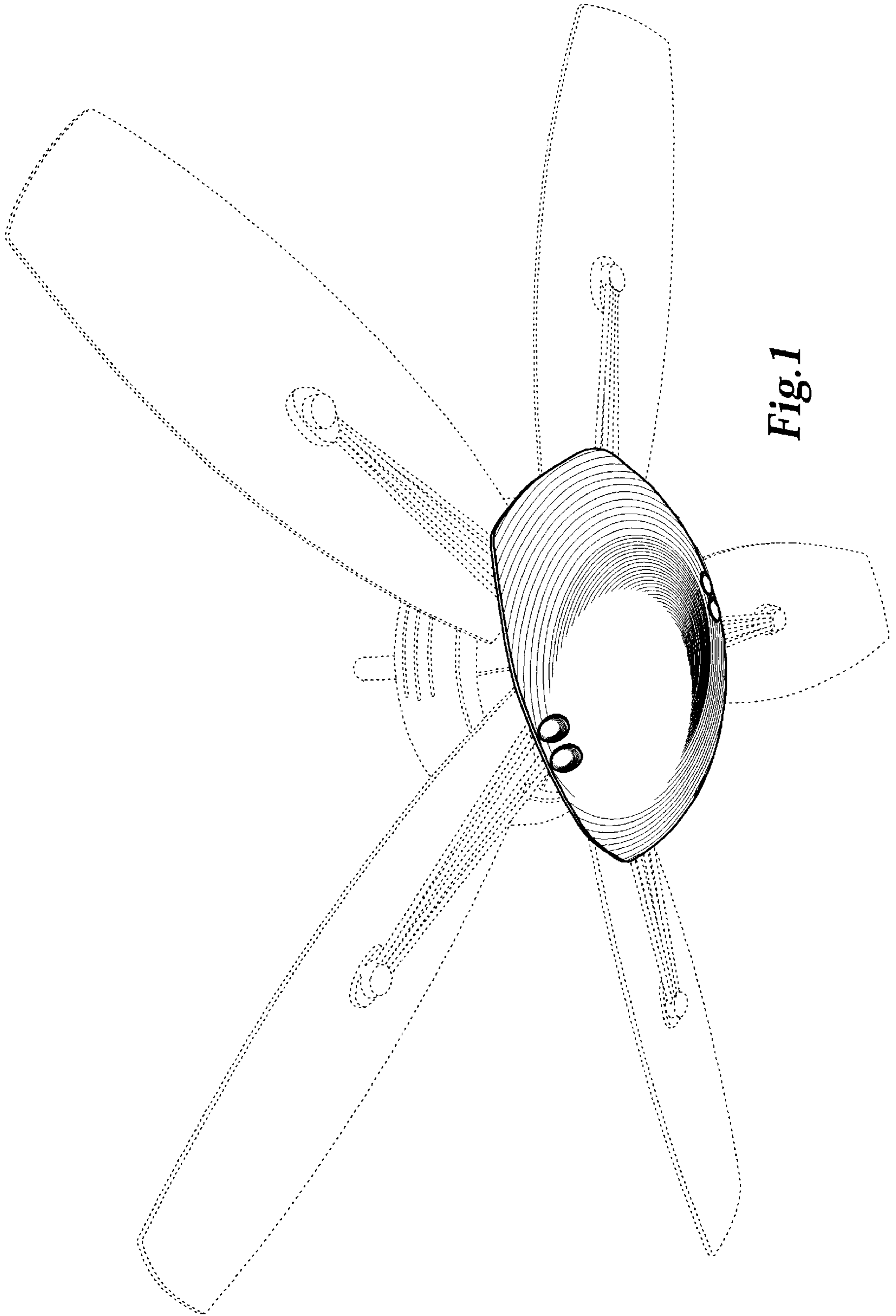


Fig. 1

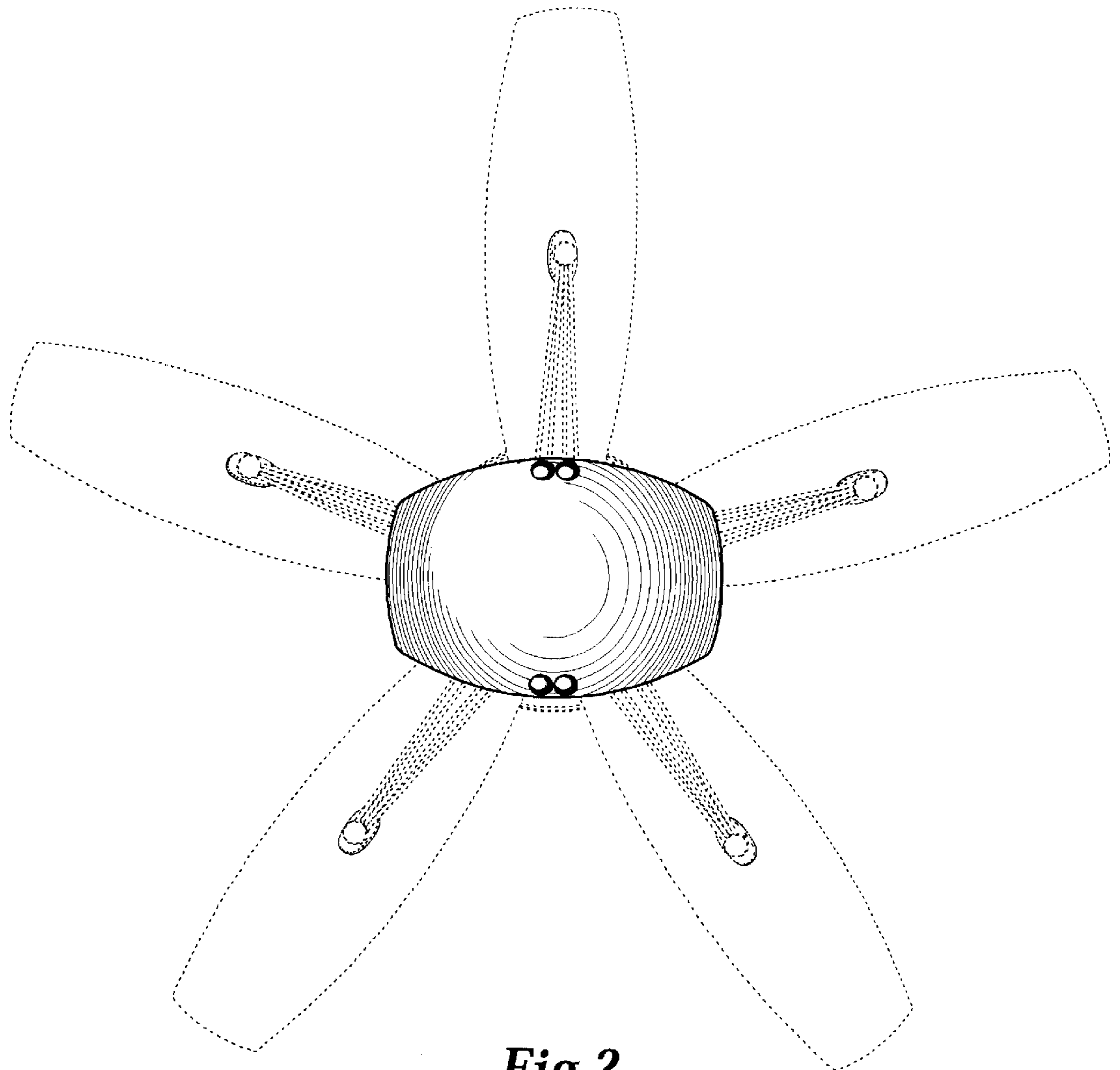


Fig. 2

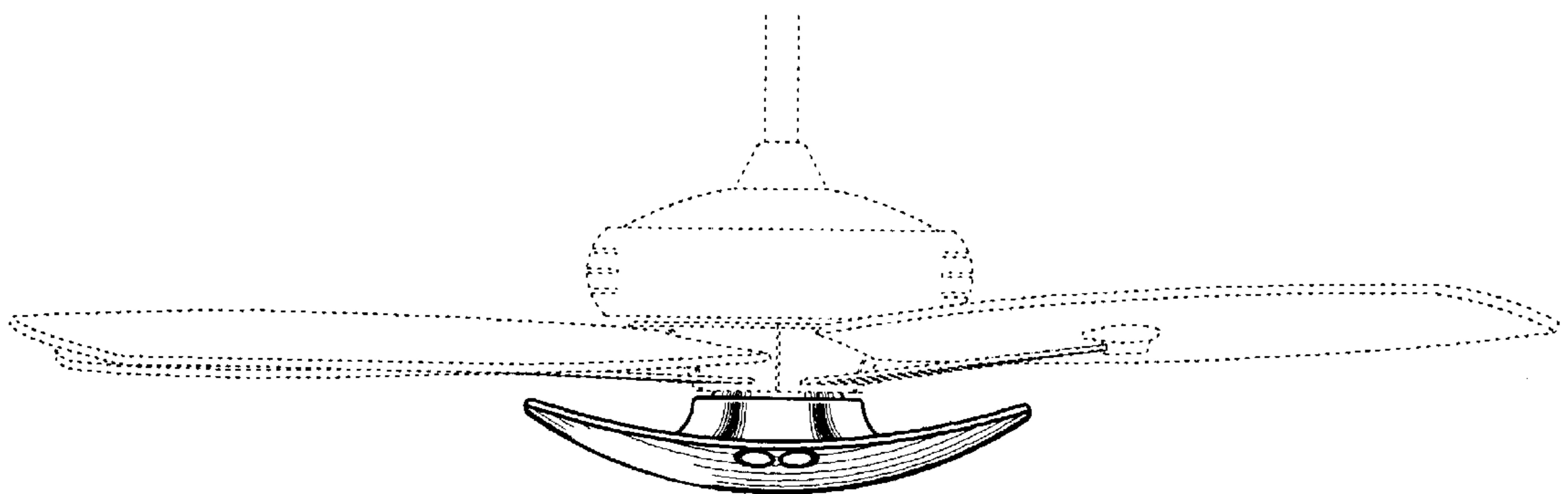


Fig. 3

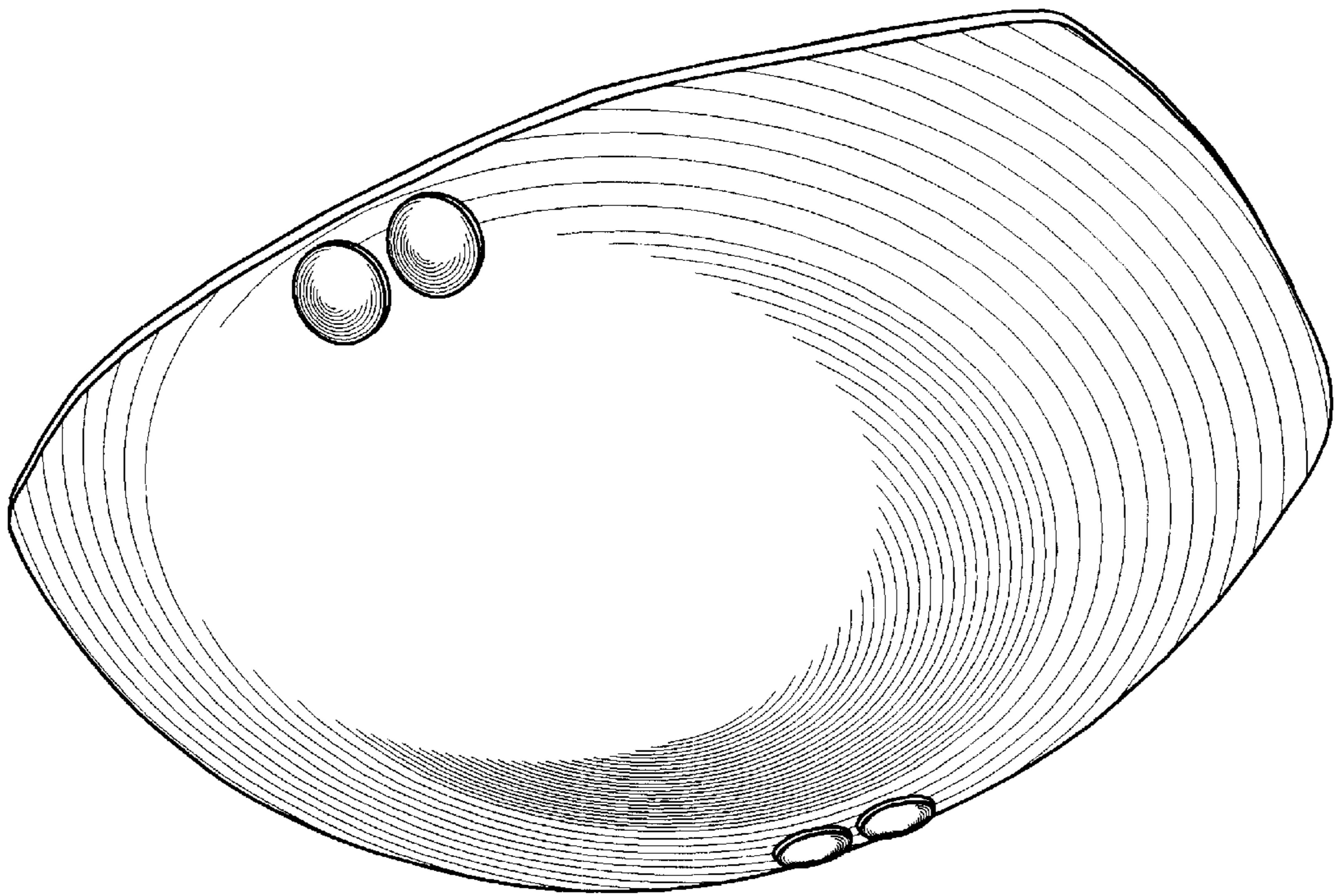


Fig. 4

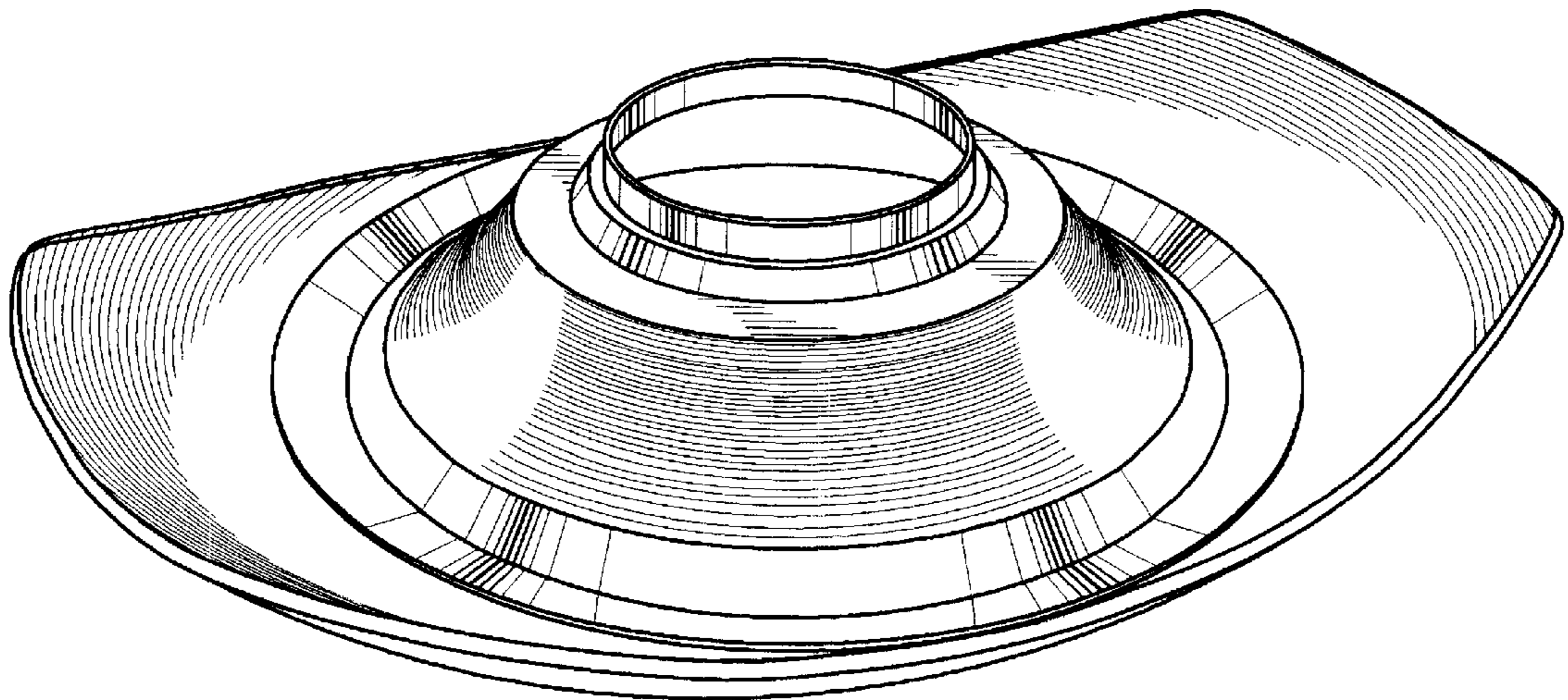


Fig. 5

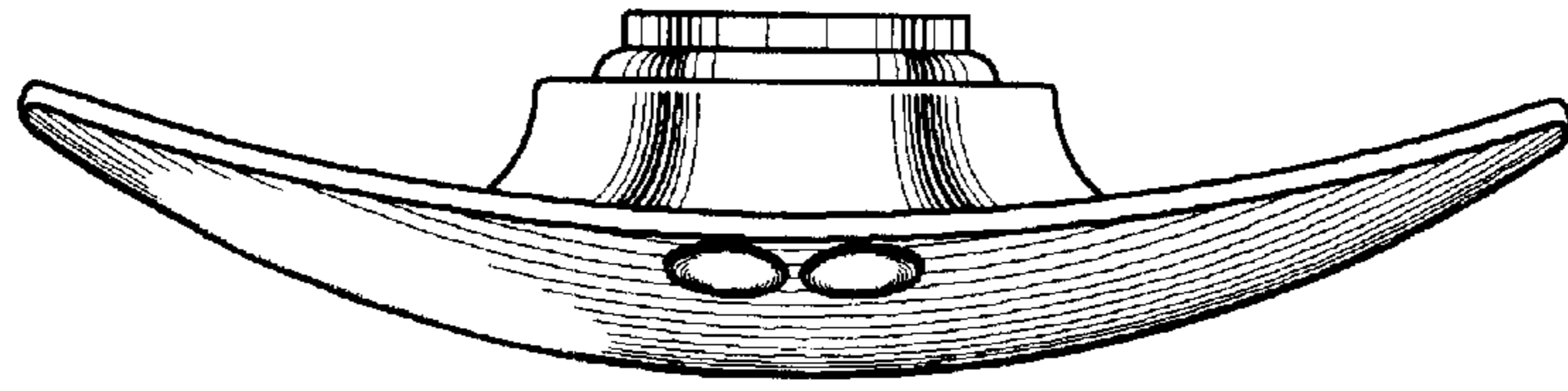


Fig. 6

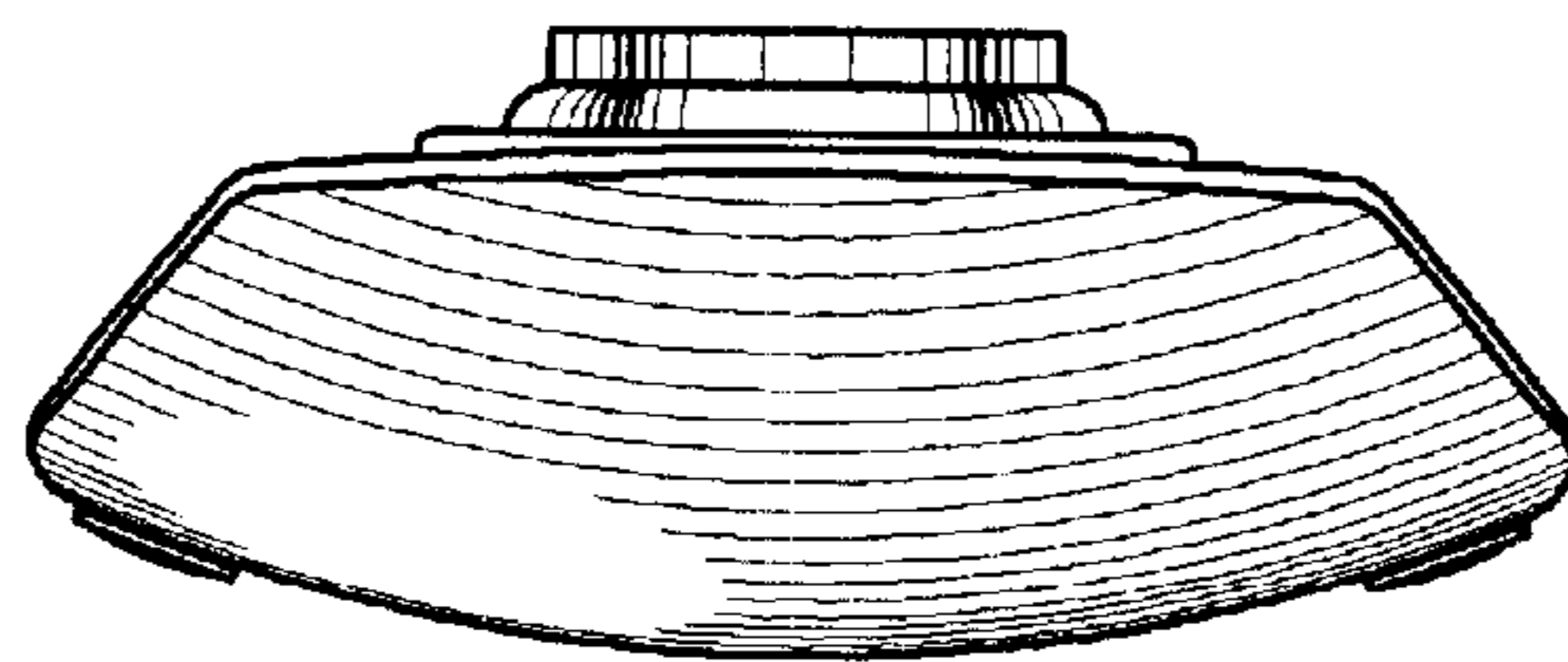


Fig. 7

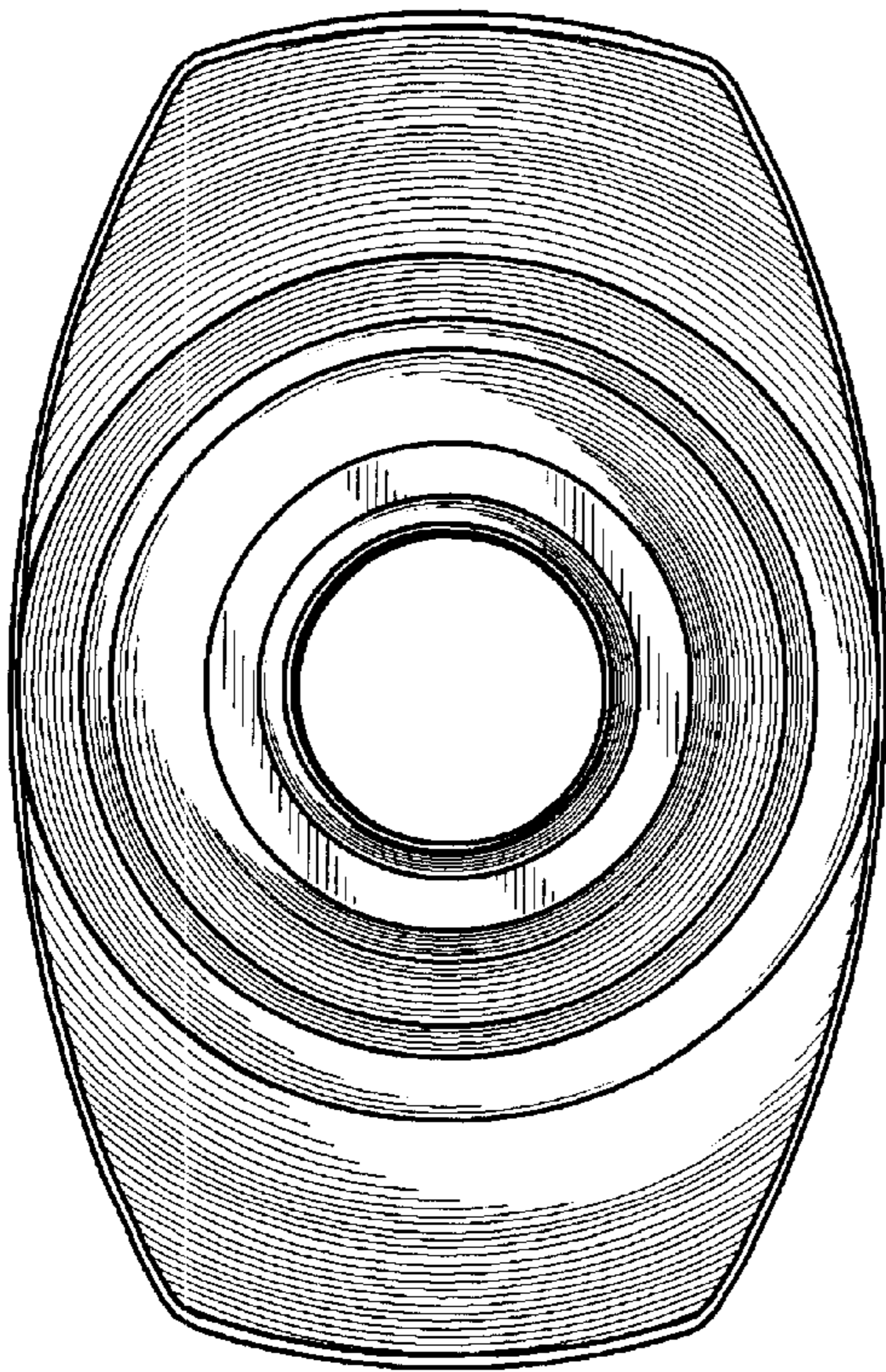


Fig. 8

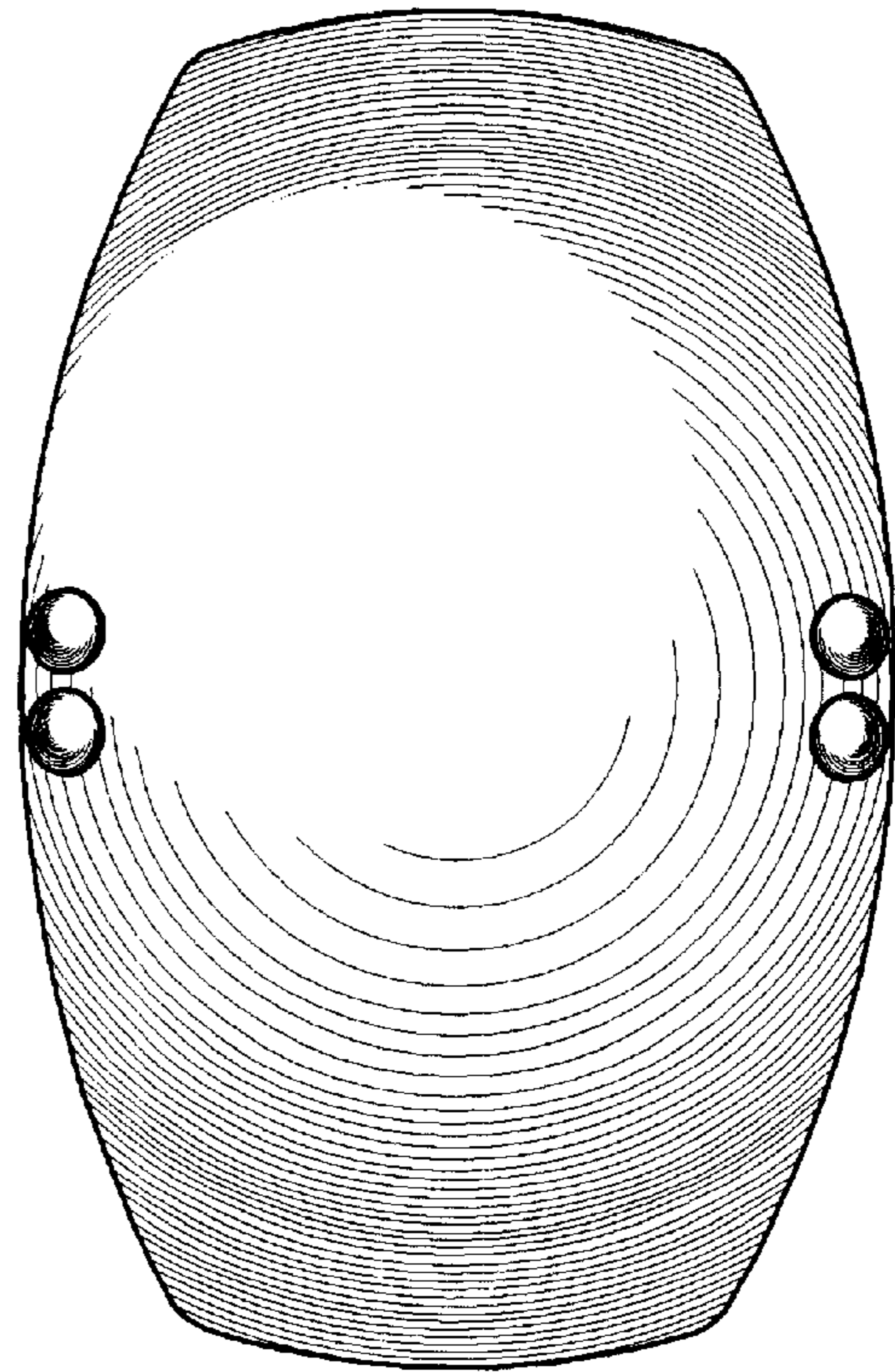


Fig. 9