



US00D481453S

(12) **United States Design Patent**  
**Dye**

(10) **Patent No.:** **US D481,453 S**

(45) **Date of Patent:** **\*\* Oct. 28, 2003**

(54) **CEILING FAN**

D435,644 S \* 12/2000 Loughran ..... D23/411

\* cited by examiner

(75) Inventor: **David L. Dye**, Grapevine, TX (US)

*Primary Examiner*—Lisa Lichtenstein

(73) Assignee: **Craftmade International, Inc.**,  
Coppell, TX (US)

(74) *Attorney, Agent, or Firm*—Haynes and Boone, LLP

(\*\*) Term: **14 Years**

(57) **CLAIM**

The ornamental design for ceiling fan, as shown and described.

(21) Appl. No.: **29/174,314**

**DESCRIPTION**

(22) Filed: **Jan. 15, 2003**

(51) **LOC (7) Cl.** ..... **23-04**

(52) **U.S. Cl.** ..... **D23/377**

(58) **Field of Search** ..... D23/377, 379,  
D23/385, 411, 413; 416/5

FIG. 1 is a bottom perspective view of the ceiling fan showing my design;

FIG. 2 is a side elevational view thereof;

FIG. 3 is a side elevational view thereof;

FIG. 4 is a side elevational view thereof;

FIG. 5 is a side elevational view thereof;

FIG. 6 is a top plan view thereof; and,

FIG. 7 is a bottom plan view thereof.

The support rod has been shown broken away in FIGS. 1–6 and the ceiling fan blades have been shown broken away in FIGS. 1–7 to indicate indeterminate length.

(56) **References Cited**

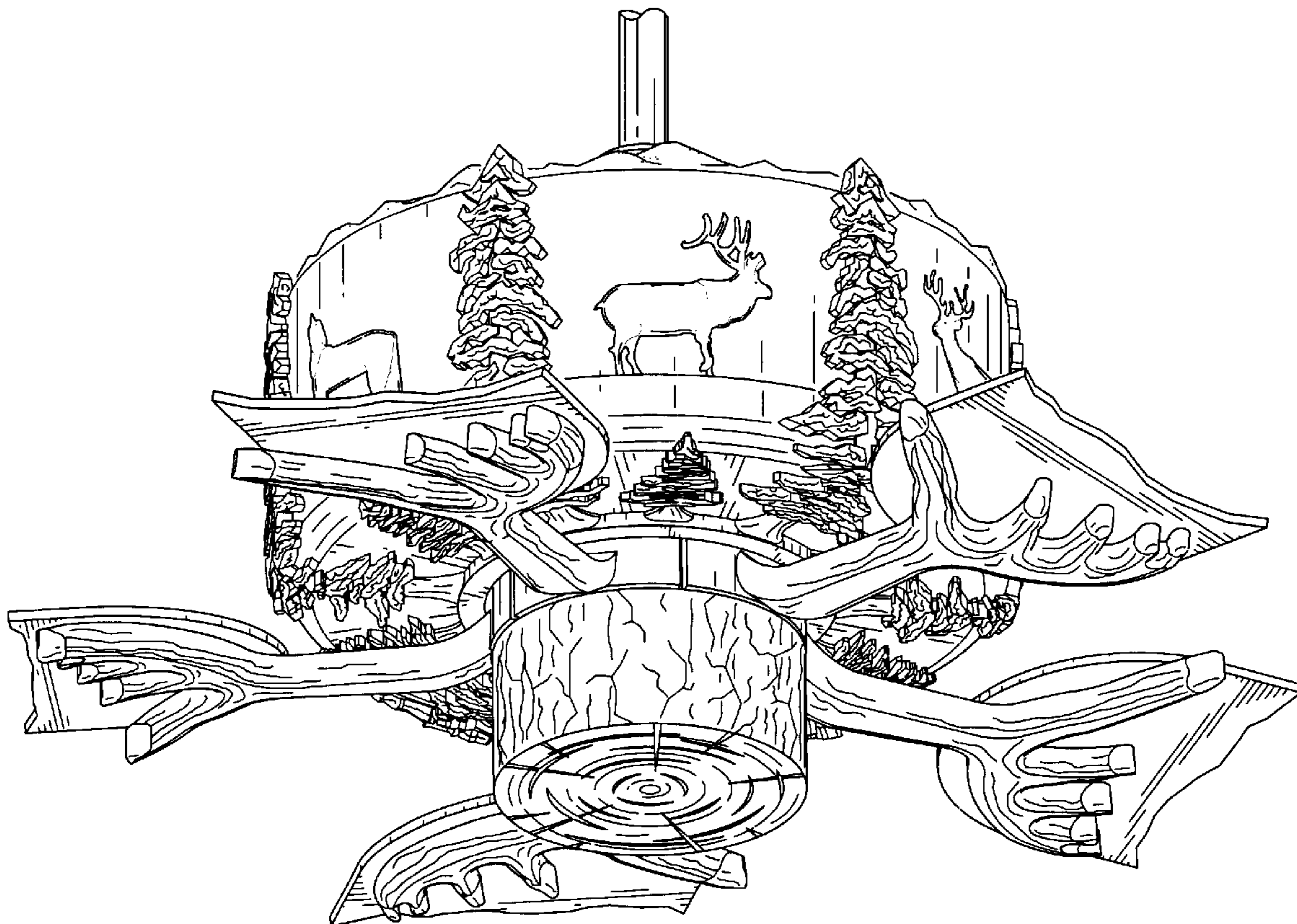
**U.S. PATENT DOCUMENTS**

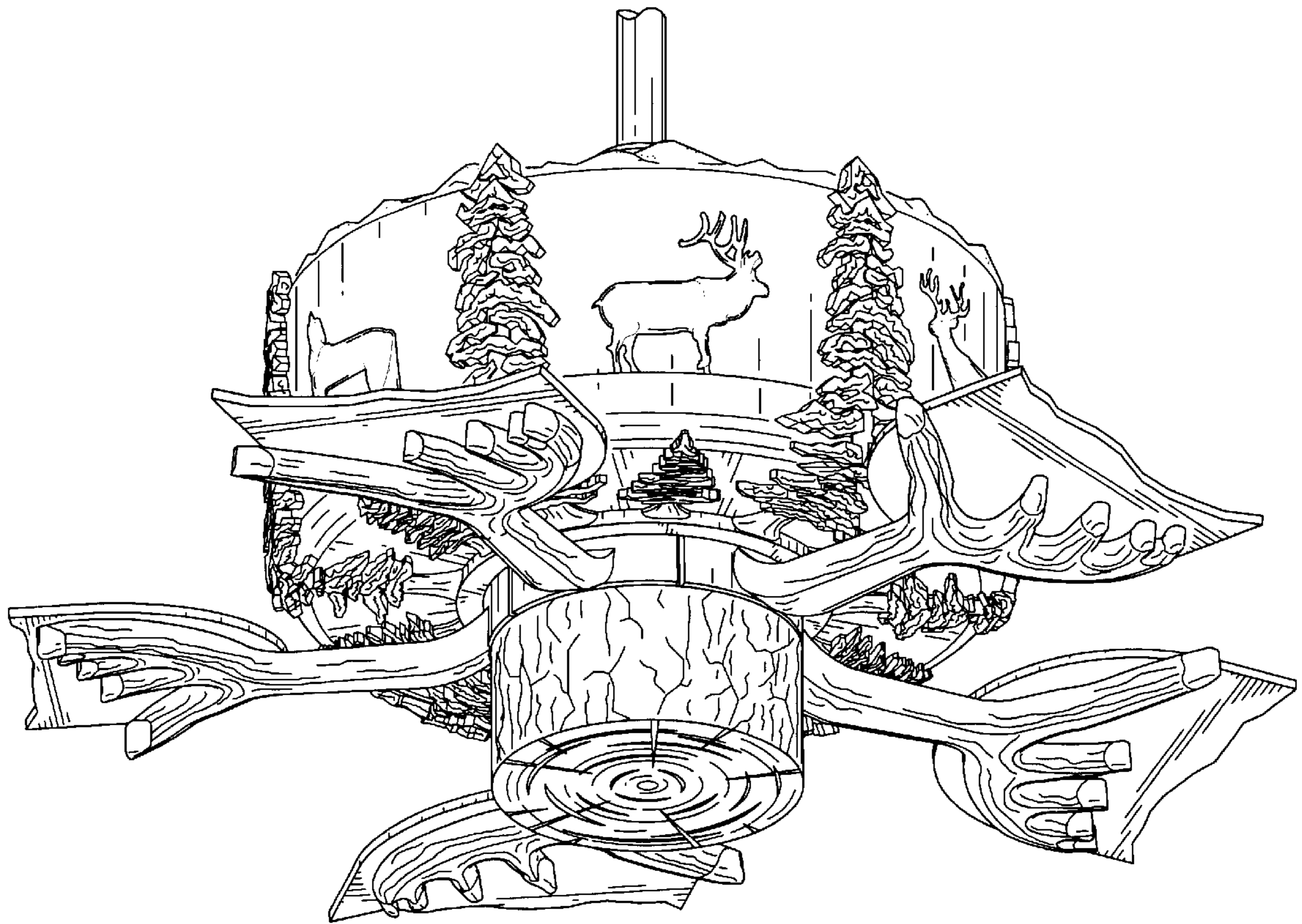
D389,566 S \* 1/1998 Jaspers-Fayer ..... D23/377

D396,102 S \* 7/1998 Pickett ..... D23/377

D397,199 S \* 8/1998 Pickett ..... D23/377

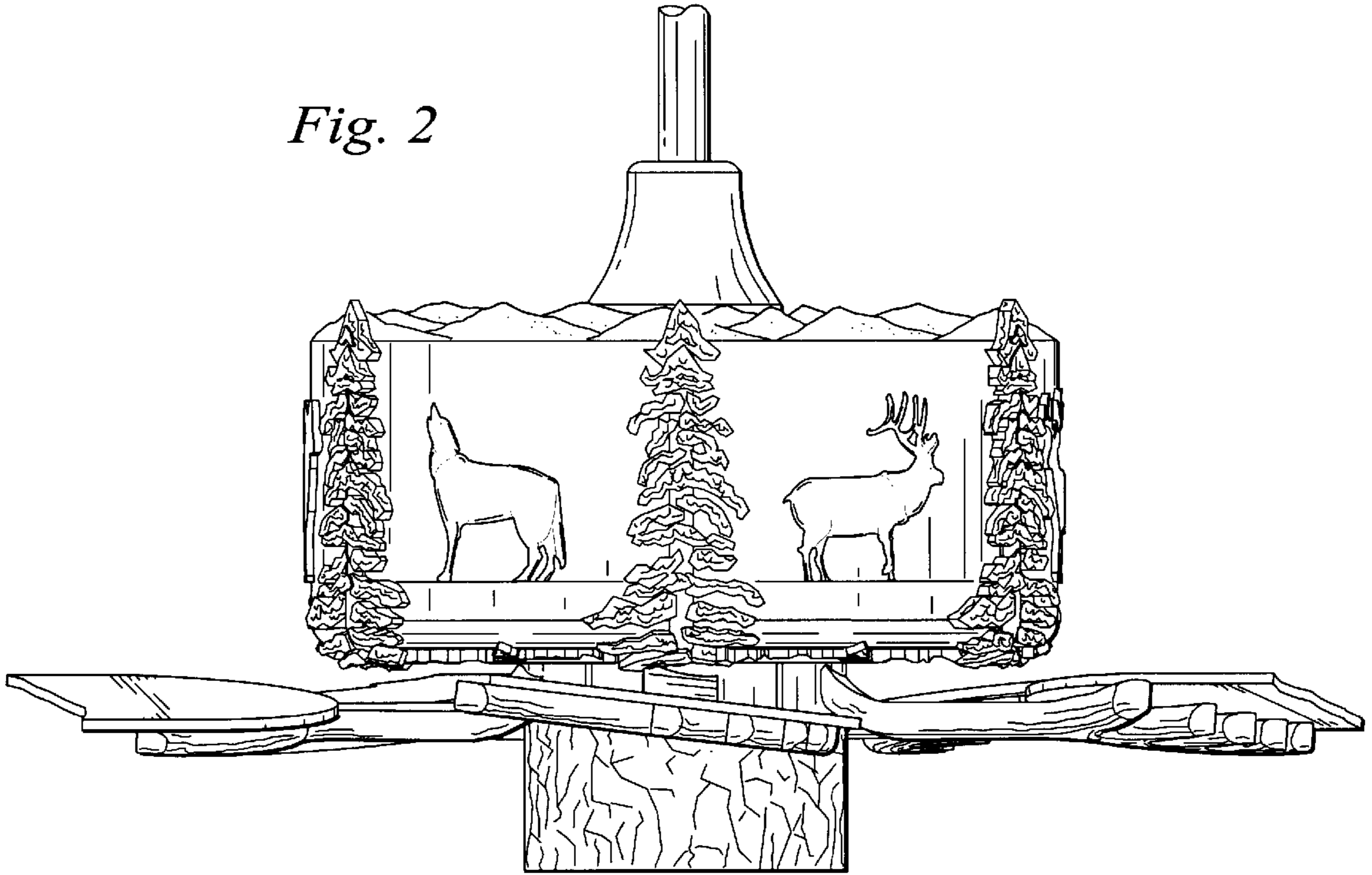
**1 Claim, 5 Drawing Sheets**



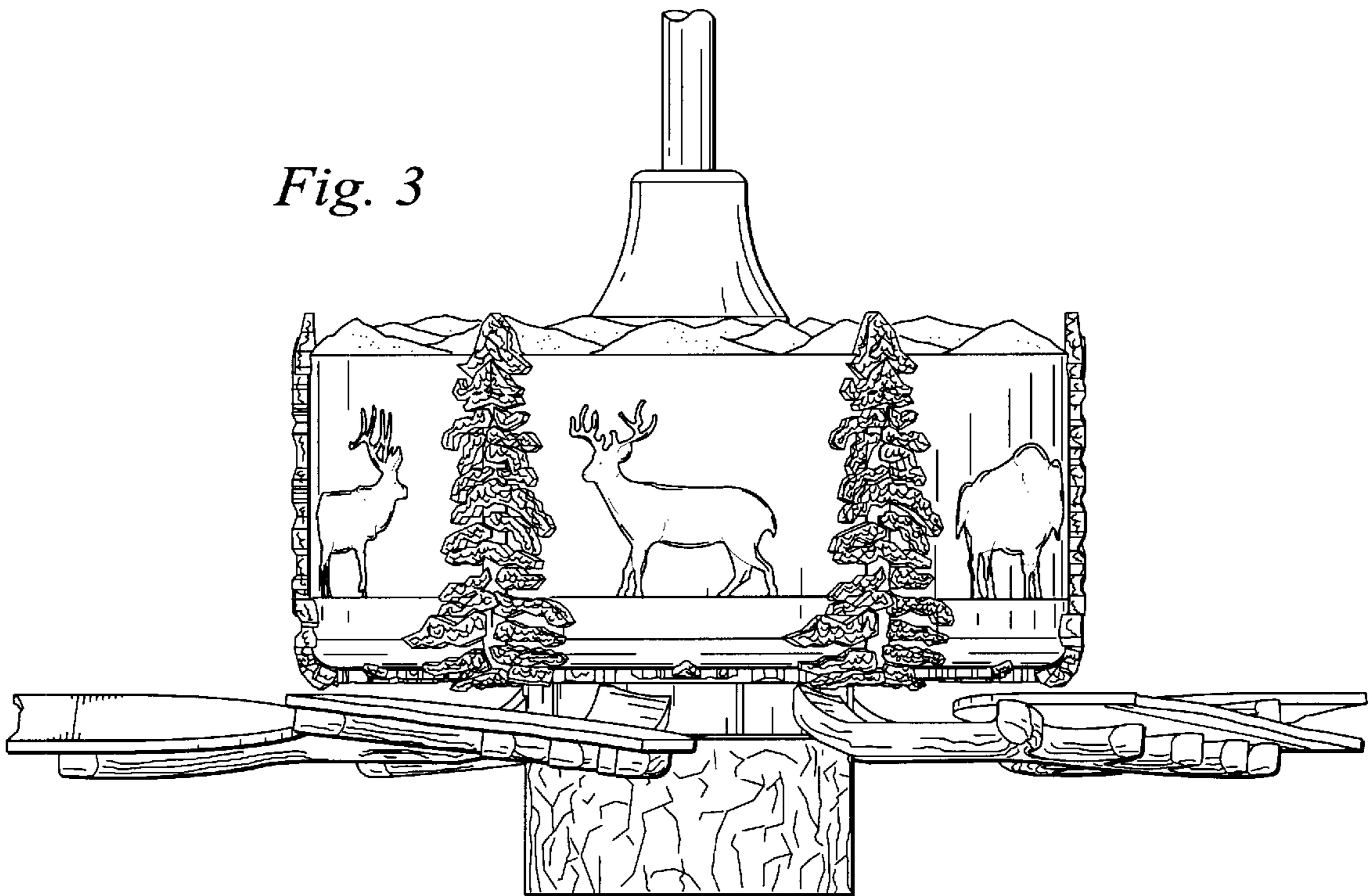


*Fig. 1*

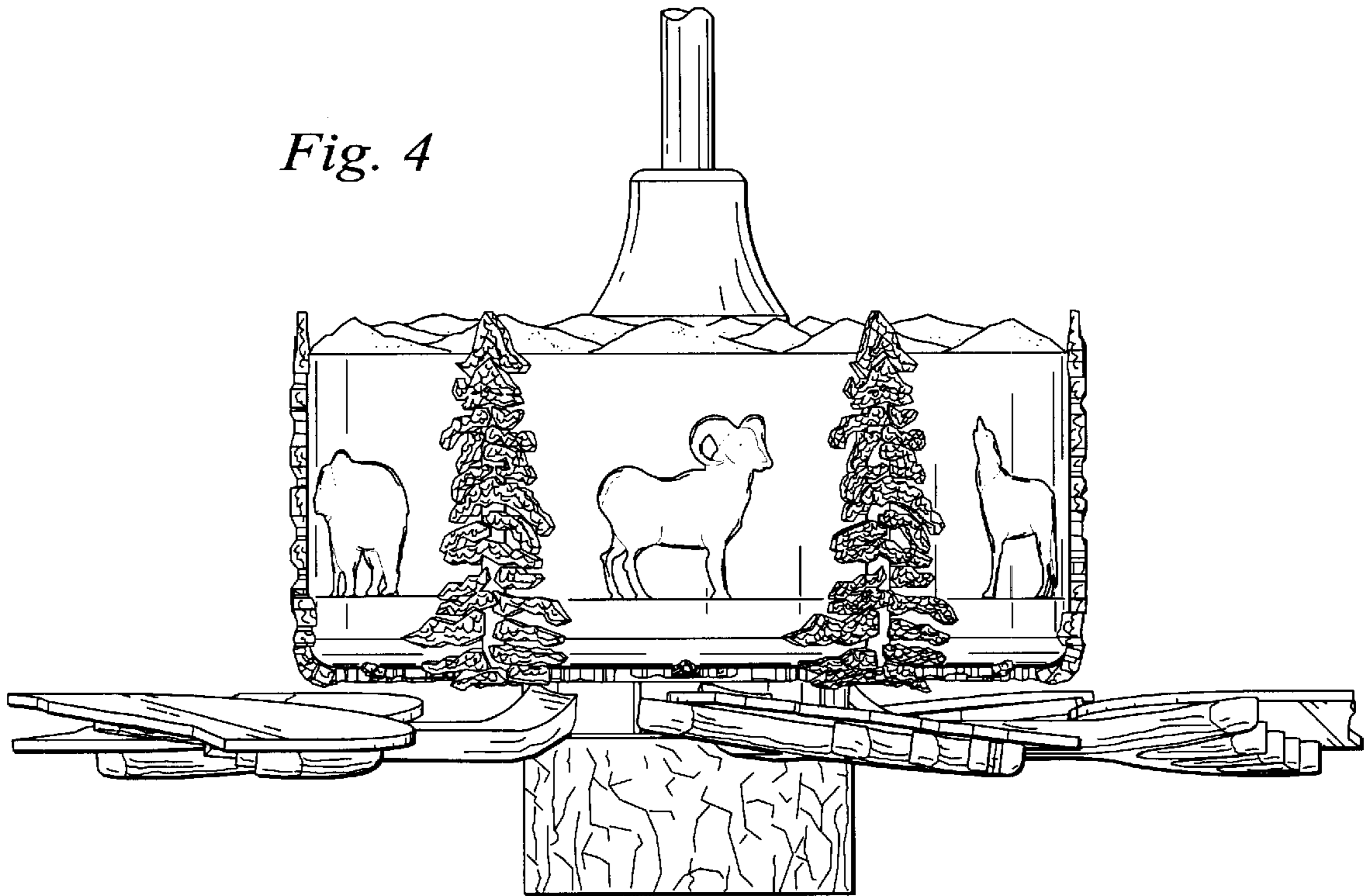
*Fig. 2*



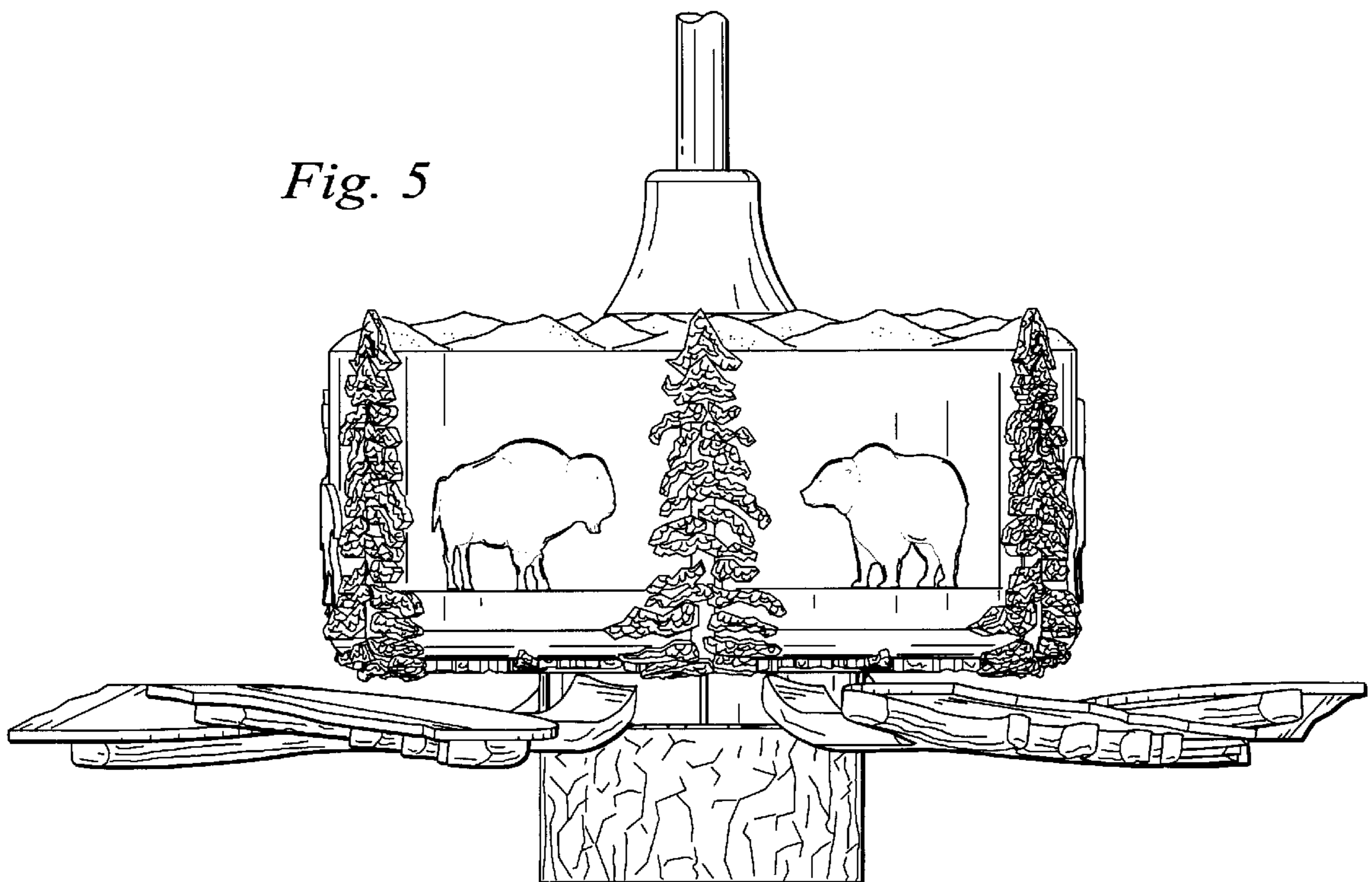
*Fig. 3*

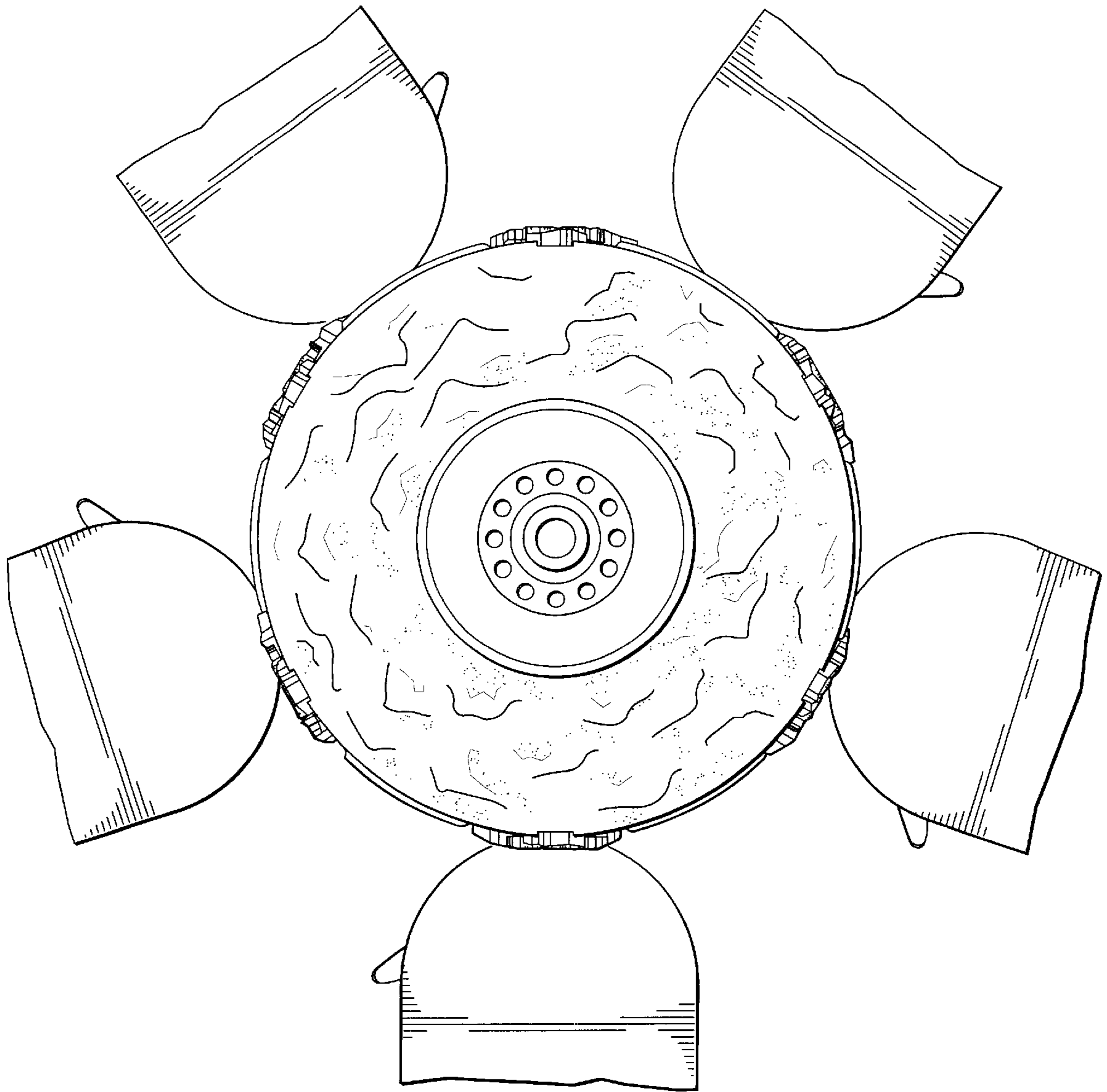


*Fig. 4*

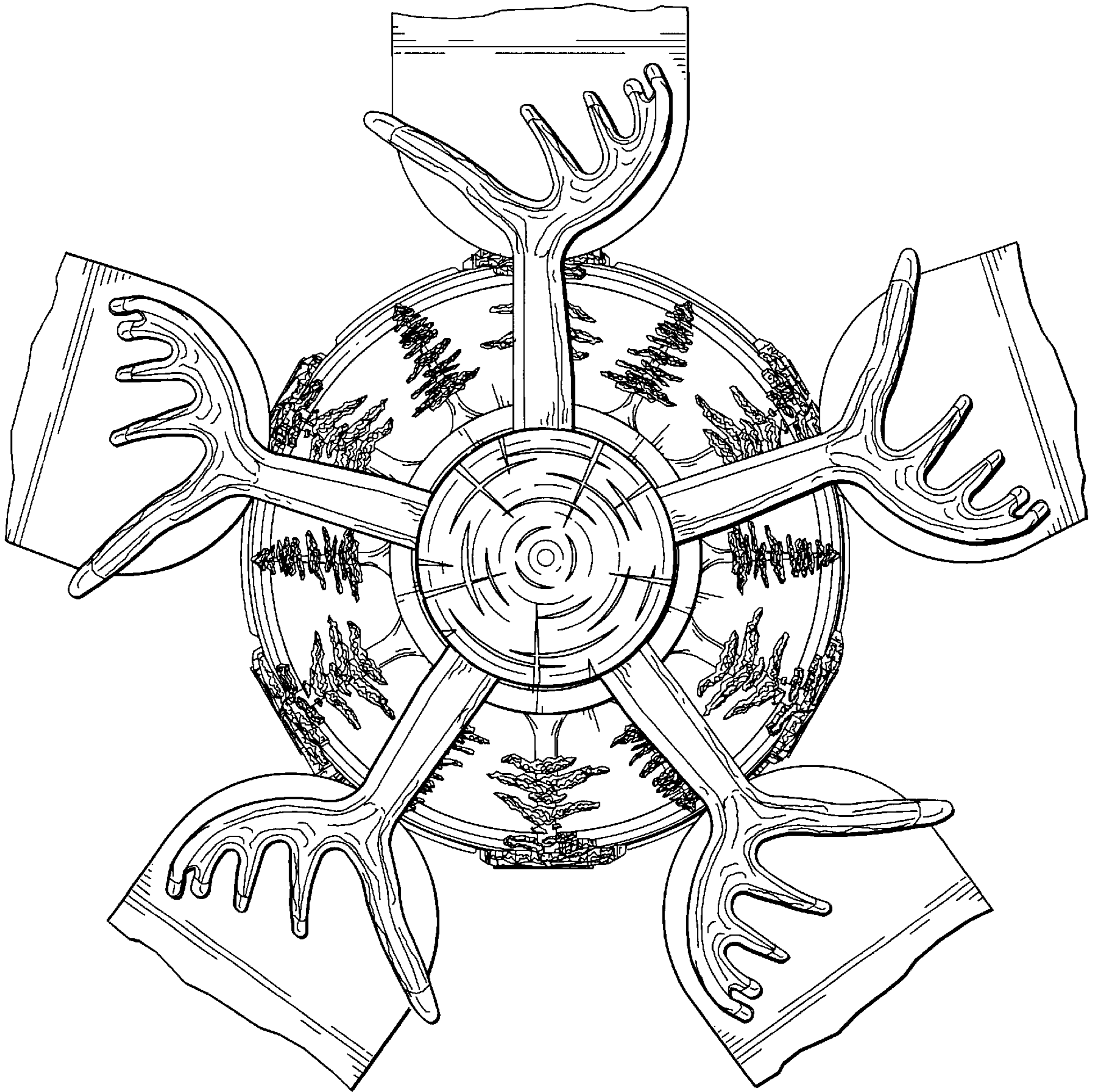


*Fig. 5*





*Fig. 6*



*Fig. 7*