



US00D481452S

(12) **United States Design Patent**
Luo

(10) **Patent No.:** **US D481,452 S**

(45) **Date of Patent:** **** Oct. 28, 2003**

(54) **HEAT DISSIPATOR**

(76) Inventor: **Chin-Kuang Luo**, 5F, No. 56,
Min-Chuan Rd., Chung Dist., Taichung
City (TW)

(**) Term: **14 Years**

(21) Appl. No.: **29/172,288**

(22) Filed: **Dec. 9, 2002**

(51) **LOC (7) Cl.** **23-04**

(52) **U.S. Cl.** **D23/377**

(58) **Field of Search** D23/370, 377,
D23/379; 415/175, 178, 220; 361/697,
695; 165/80.3; D14/114

(56) **References Cited**

U.S. PATENT DOCUMENTS

D398,393 S * 9/1998 Horng D23/370

6,411,511 B1 * 6/2002 Chen 361/697

* cited by examiner

Primary Examiner—Lisa Lichtenstein

(74) *Attorney, Agent, or Firm*—Trop, Pruner & Hu, P.C.

(57) **CLAIM**

The ornamental design for a heat dissipator, as shown and described.

DESCRIPTION

FIG. 1 is a perspective view of heat dissipator showing my new design;

FIG. 2 is a front elevational view thereof;

FIG. 3 is a rear elevational view thereof;

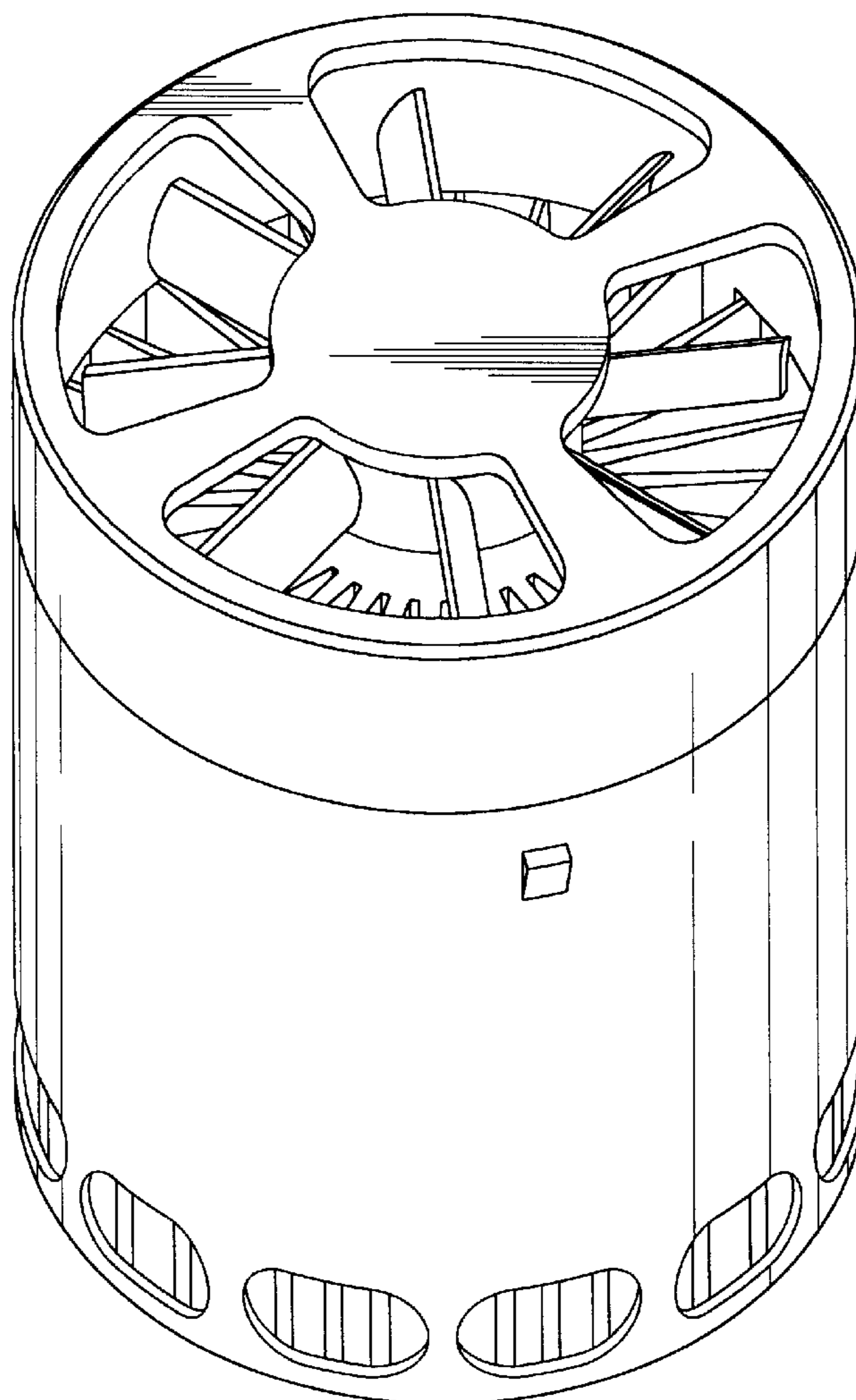
FIG. 4 is a left side elevational view thereof;

FIG. 5 is a right side elevational view thereof;

FIG. 6 is a top plan view thereof; and,

FIG. 7 is a bottom plan view thereof.

1 Claim, 4 Drawing Sheets



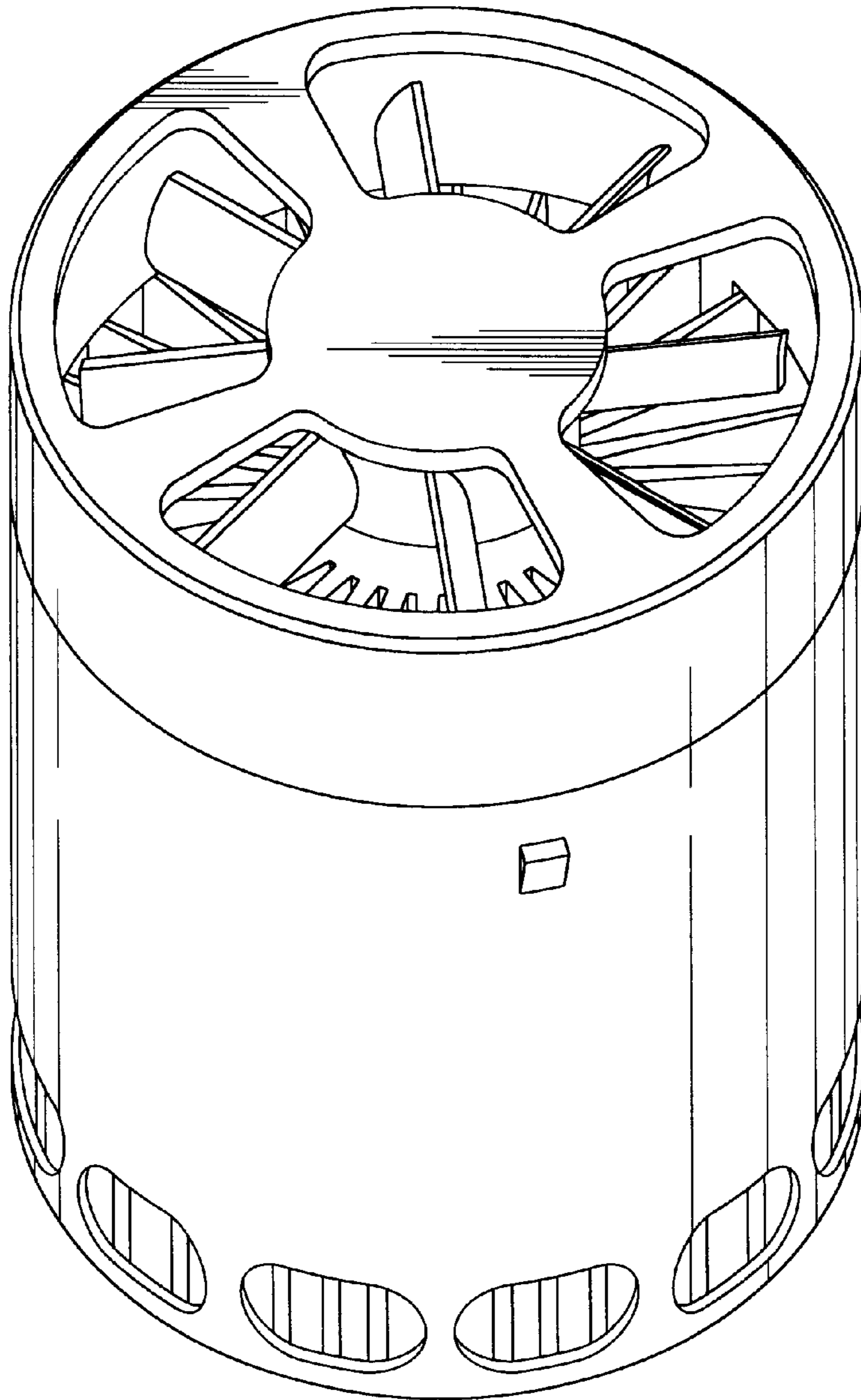


FIG. 1

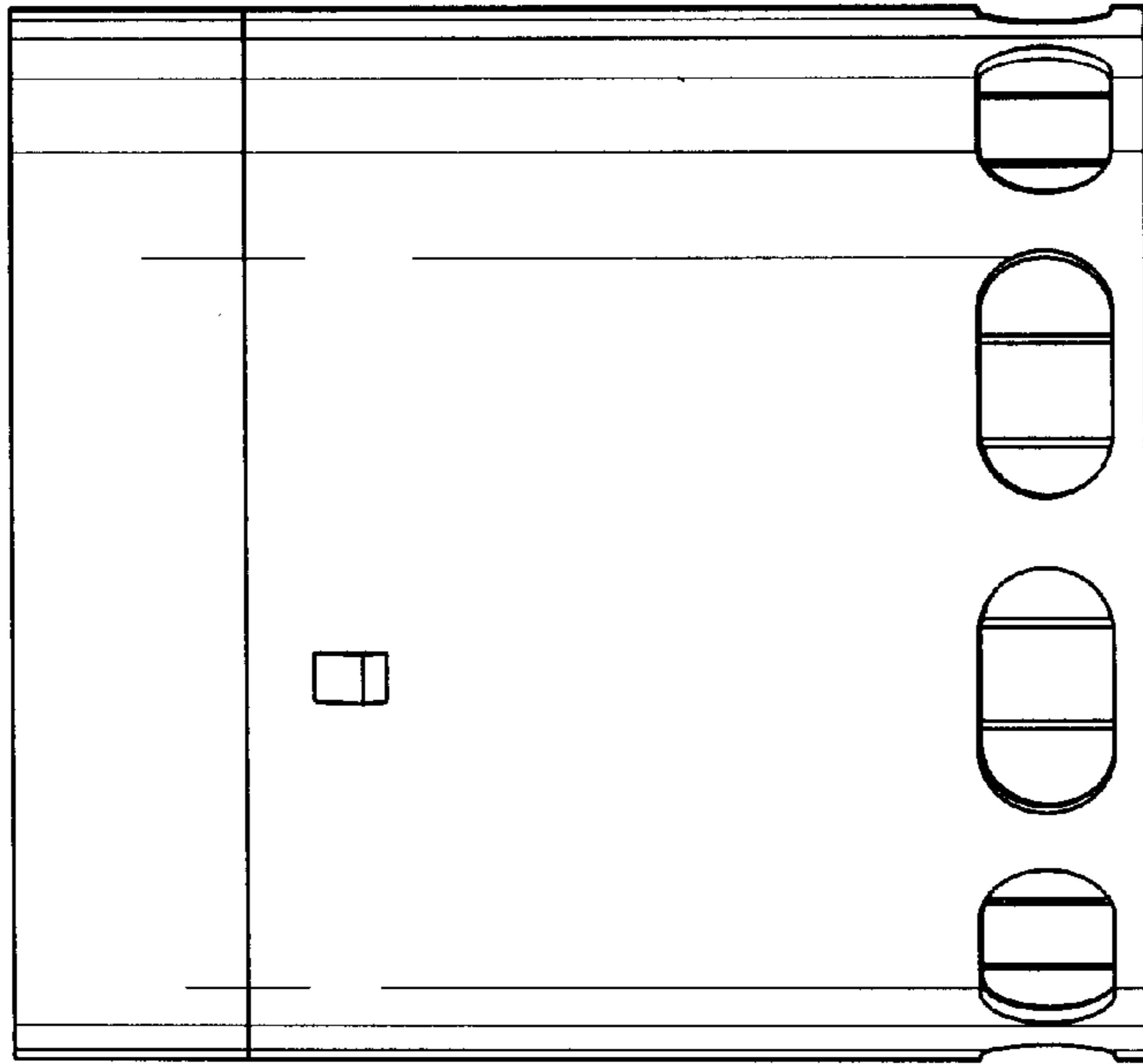


FIG. 3

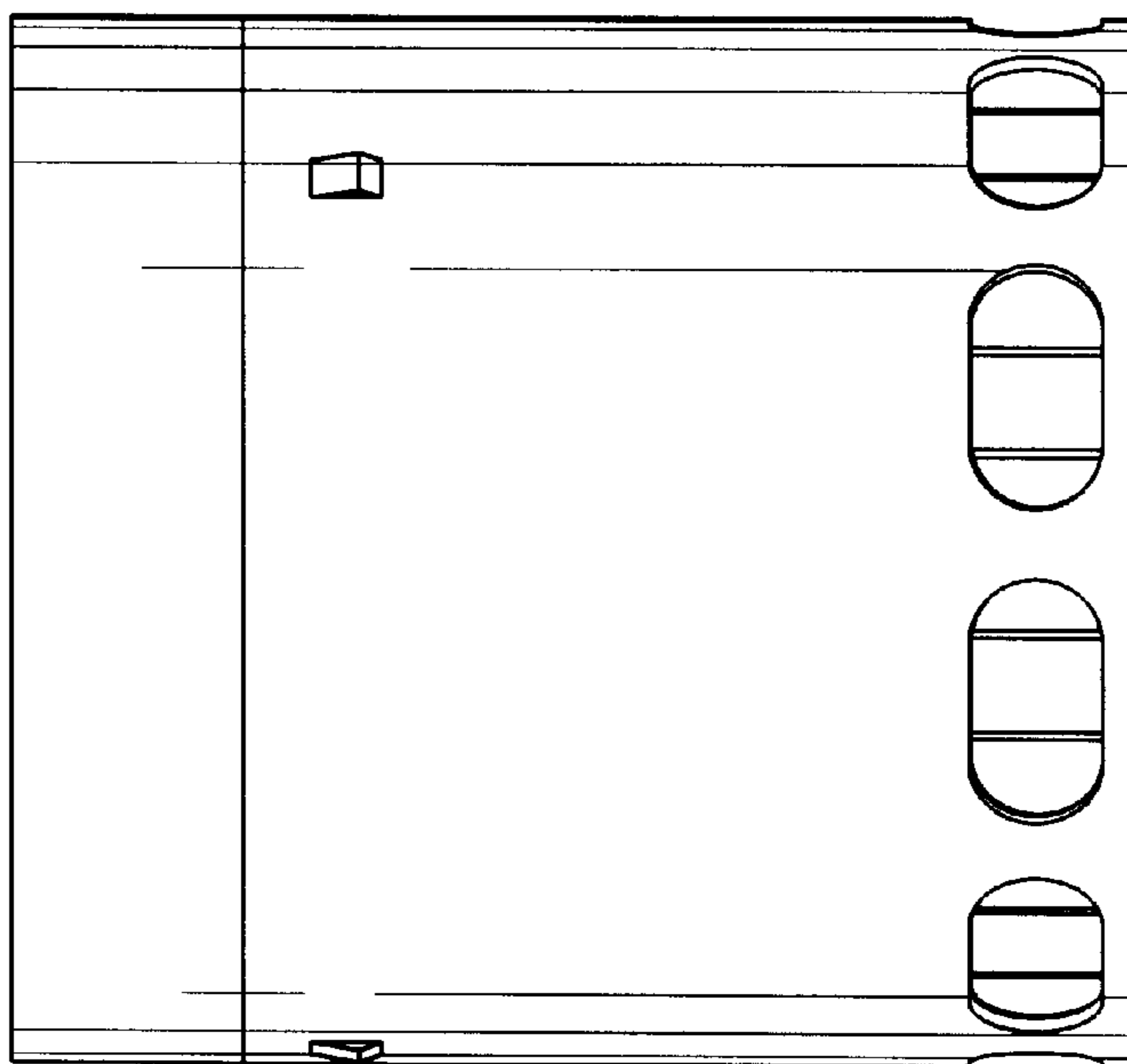


FIG. 2

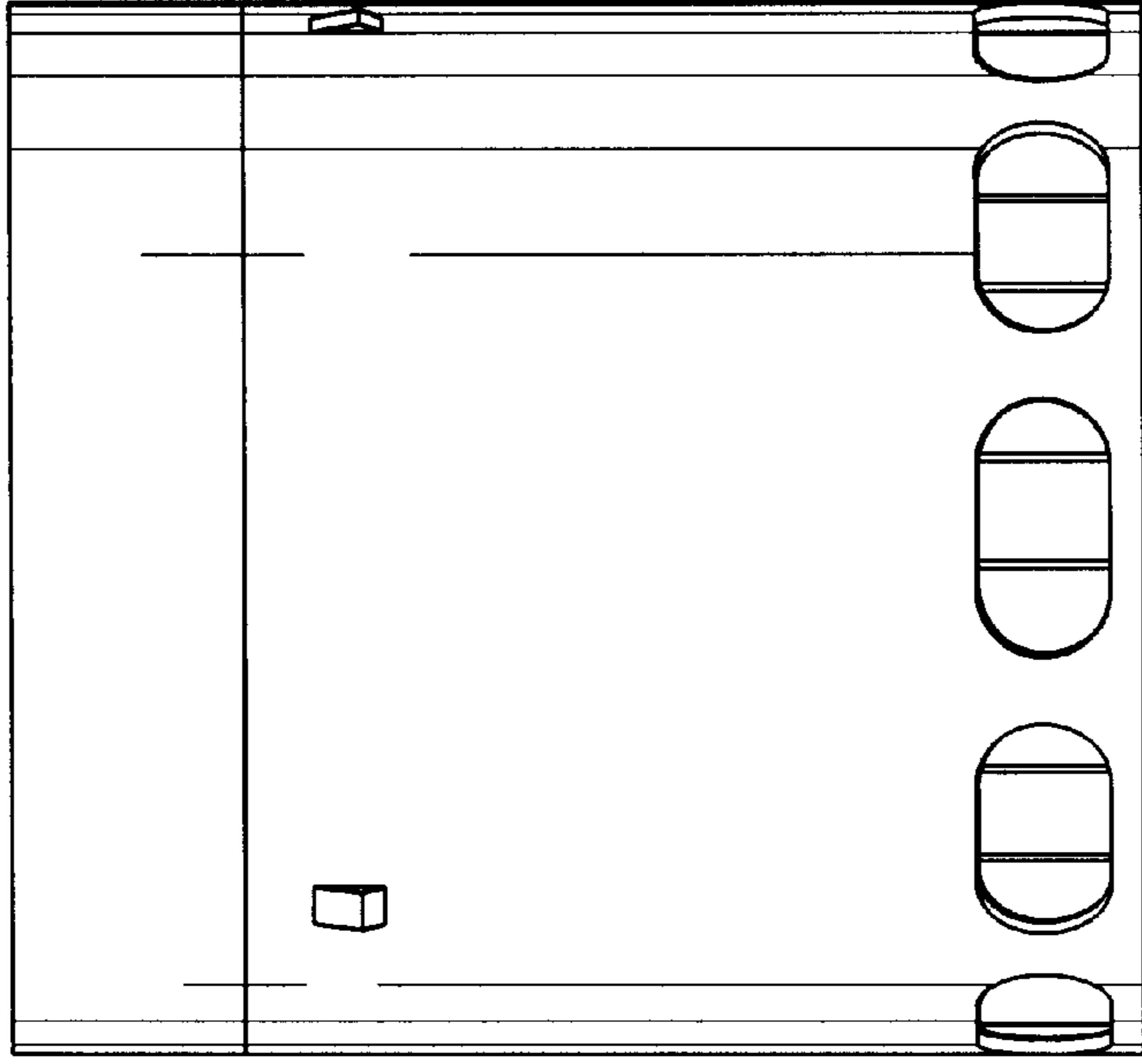


FIG. 5

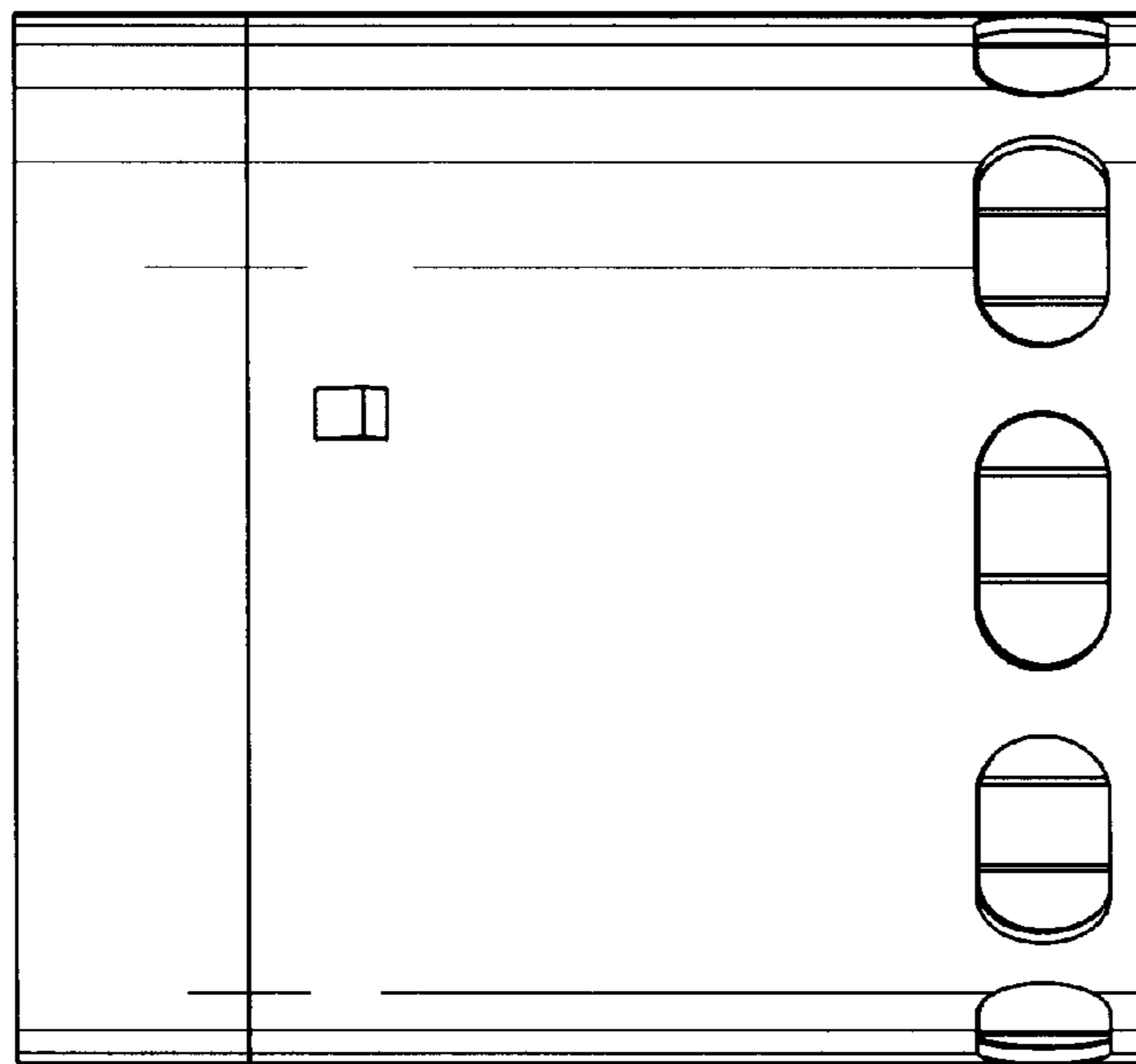


FIG. 4

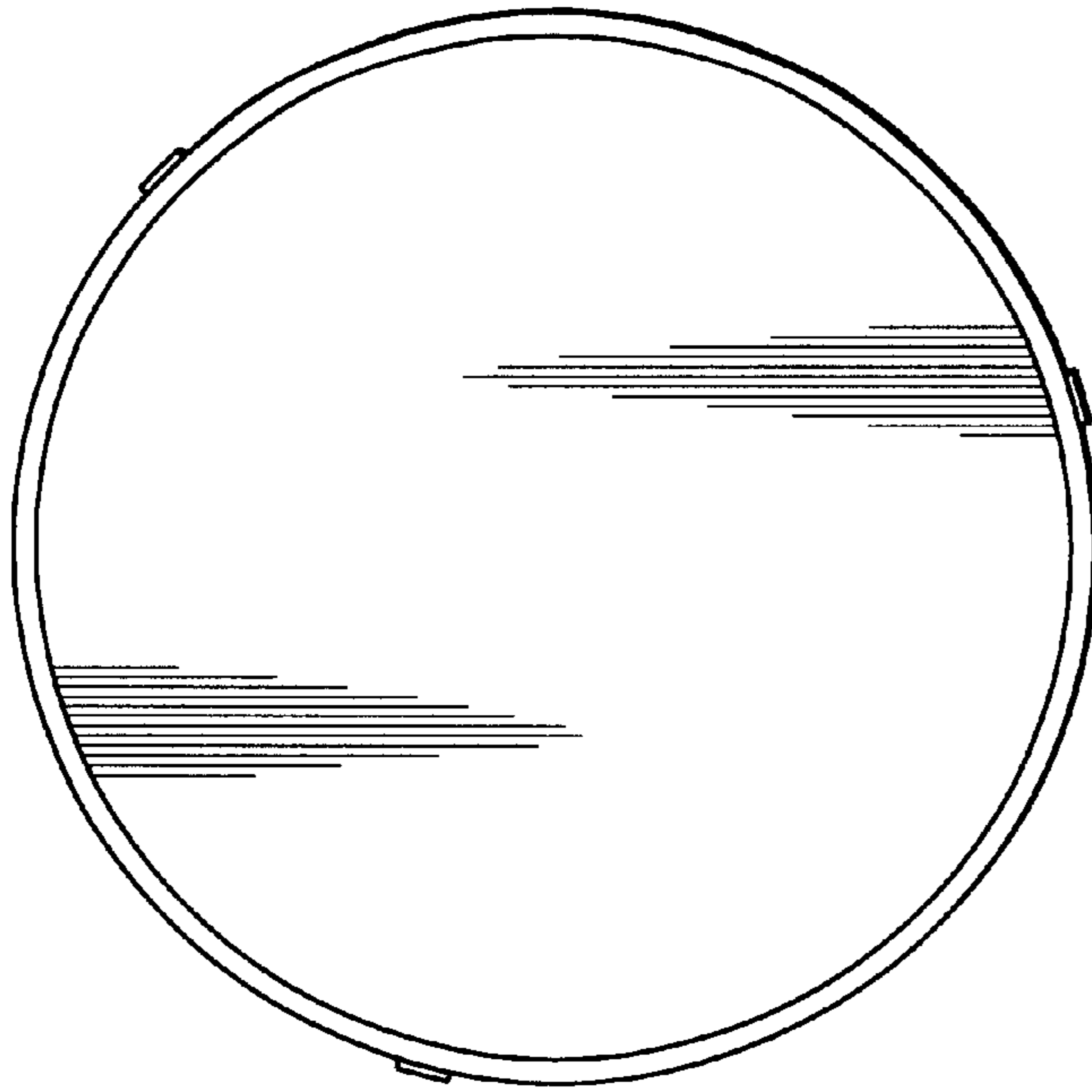


FIG. 7

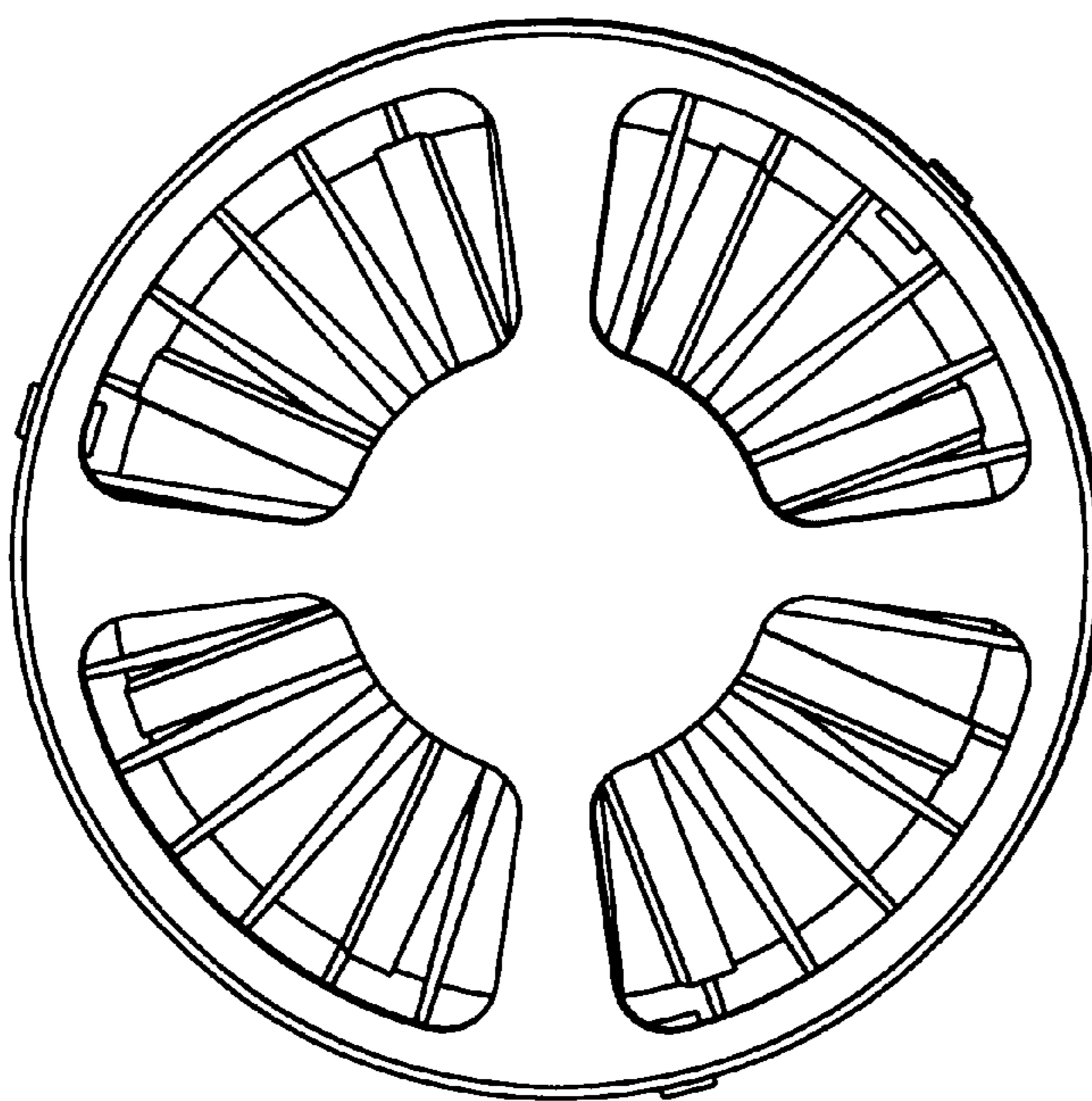


FIG. 6