



US00D481450S

(12) **United States Design Patent**  
**Young**

(10) **Patent No.:** **US D481,450 S**

(45) **Date of Patent:** **\*\* Oct. 28, 2003**

(54) **COMBINATION CEILING FAN AND LIGHT FIXTURE**

(75) Inventor: **Stanfield Young**, Cypress, CA (US)

(73) Assignee: **Minka Lighting, Inc.**, Corona, CA (US)

(\*\*) Term: **14 Years**

(21) Appl. No.: **29/163,993**

(22) Filed: **Jul. 15, 2002**

(51) **LOC (7) Cl.** ..... **23-04**

(52) **U.S. Cl.** ..... **D23/377**

(58) **Field of Search** ..... D23/377, 379,  
D23/385, 411, 413; 416/5; 392/364; 362/96;  
D26/81-88, 72, 59, 51

(56) **References Cited**

**U.S. PATENT DOCUMENTS**

- D408,904 S \* 4/1999 Liu ..... D23/377
- D417,494 S \* 12/1999 Evans ..... D23/377
- D424,187 S \* 5/2000 Lo ..... D23/377

**OTHER PUBLICATIONS**

Minka Lighting, Inc.; MinkaAire Two Thousand Two; Apr. 22, 2002; pp. 2, 3; Minka Lighting, Inc.; U.S.A.

\* cited by examiner

*Primary Examiner*—Lisa Lichtenstein

(74) *Attorney, Agent, or Firm*—Jenkins & Gilchrist, P.C.

(57) **CLAIM**

The ornamental design for the combination ceiling fan and light fixture, as shown and described.

**DESCRIPTION**

FIG. 1 is a perspective view from below of the combination ceiling fan and light fixture in accordance with my design. FIG. 2 is a top plan view of the combination ceiling fan and light fixture, on a reduced scale in accordance with my design;

FIG. 3 is a front elevation view of the combination ceiling fan and light fixture, on a reduced scale in accordance with my design;

FIG. 4 is a bottom plan view of the combination ceiling fan and light fixture, on a reduced scale in accordance with my design; and,

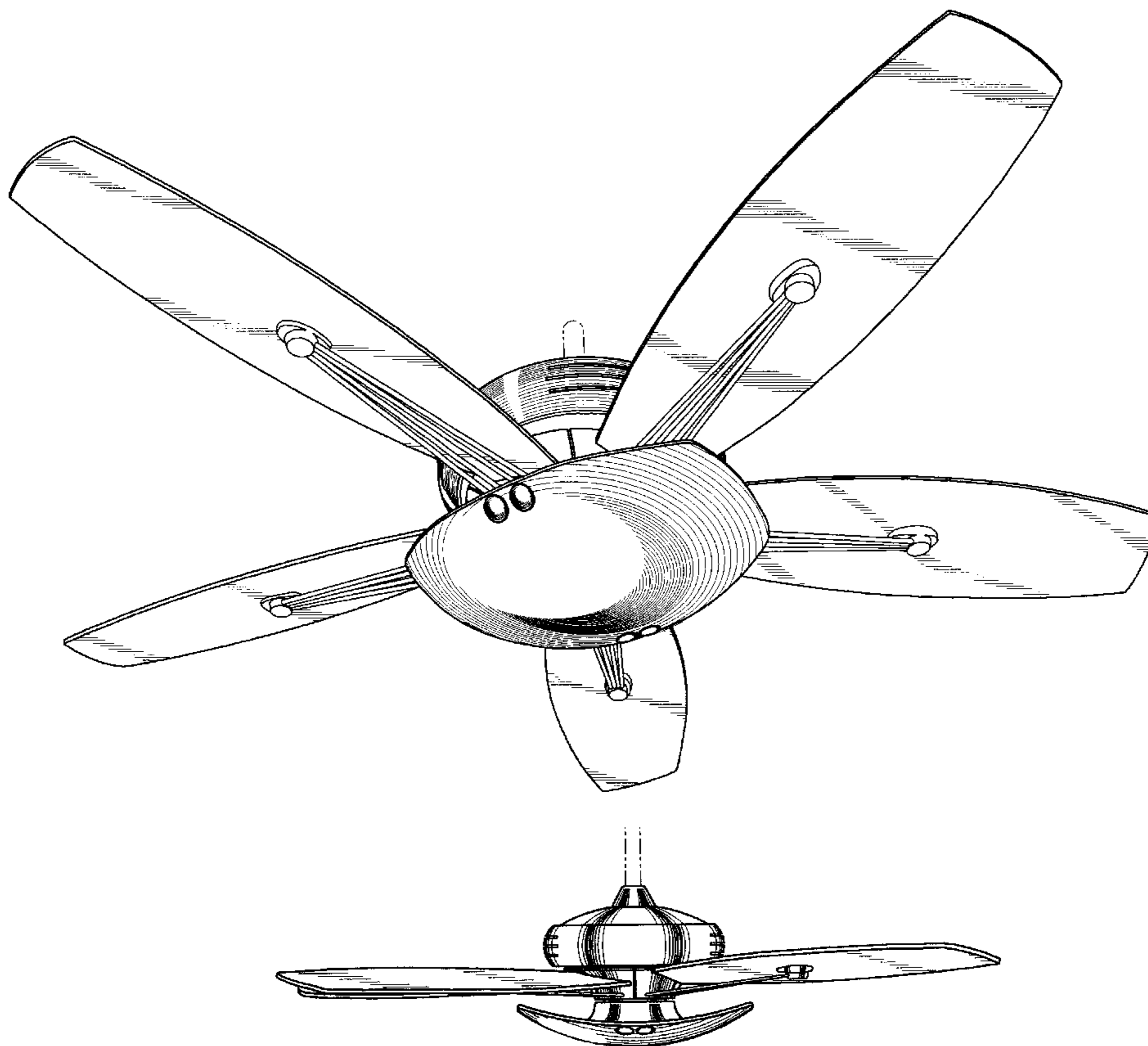
FIG. 5 is a side elevation view of the combination ceiling fan and light fixture, on a reduced scale in accordance with my design.

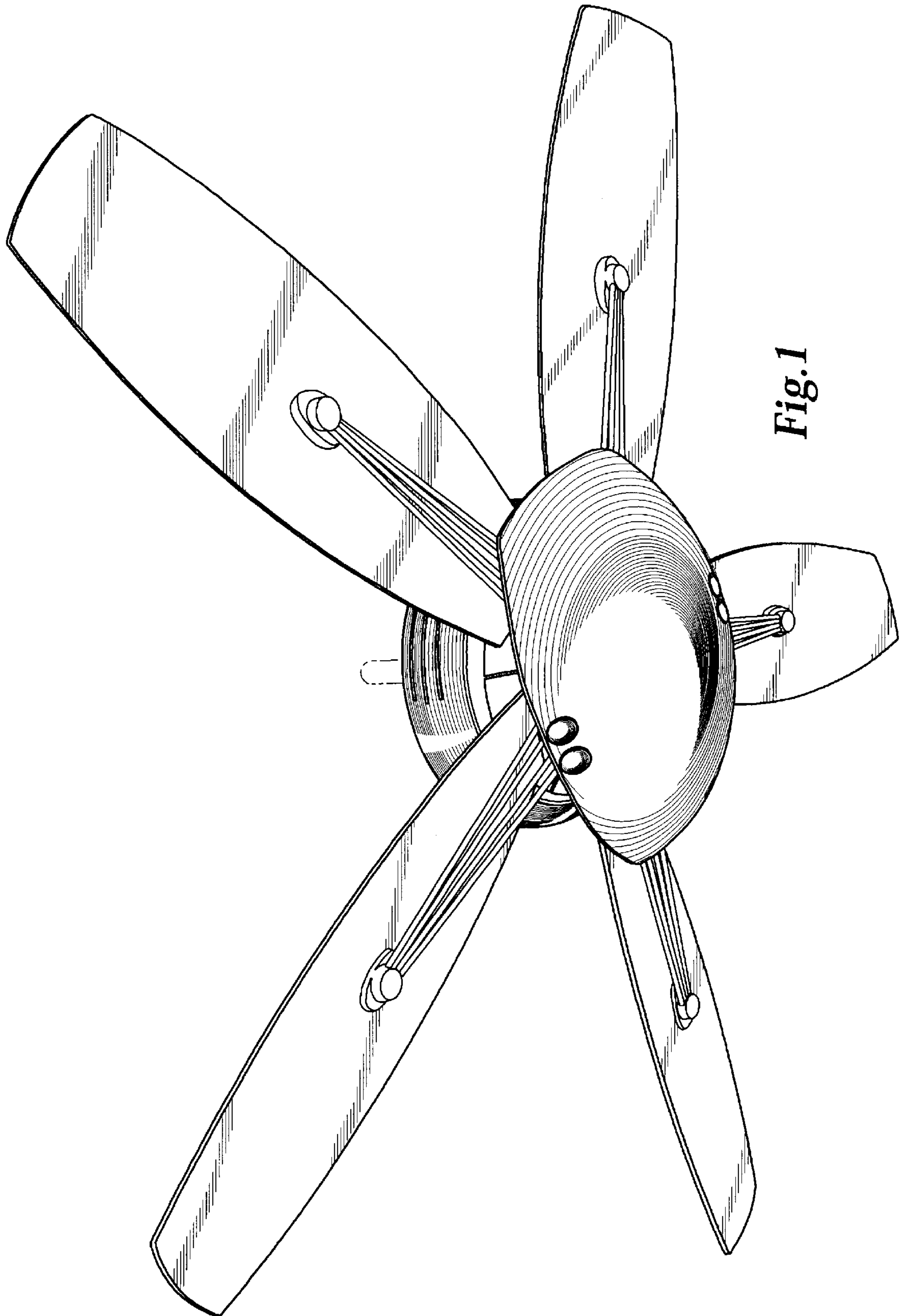
The right and left elevational views are mirror images of each other except for positioning of the blades.

The front and rear elevation views are mirror images of each other except for positioning of the blades.

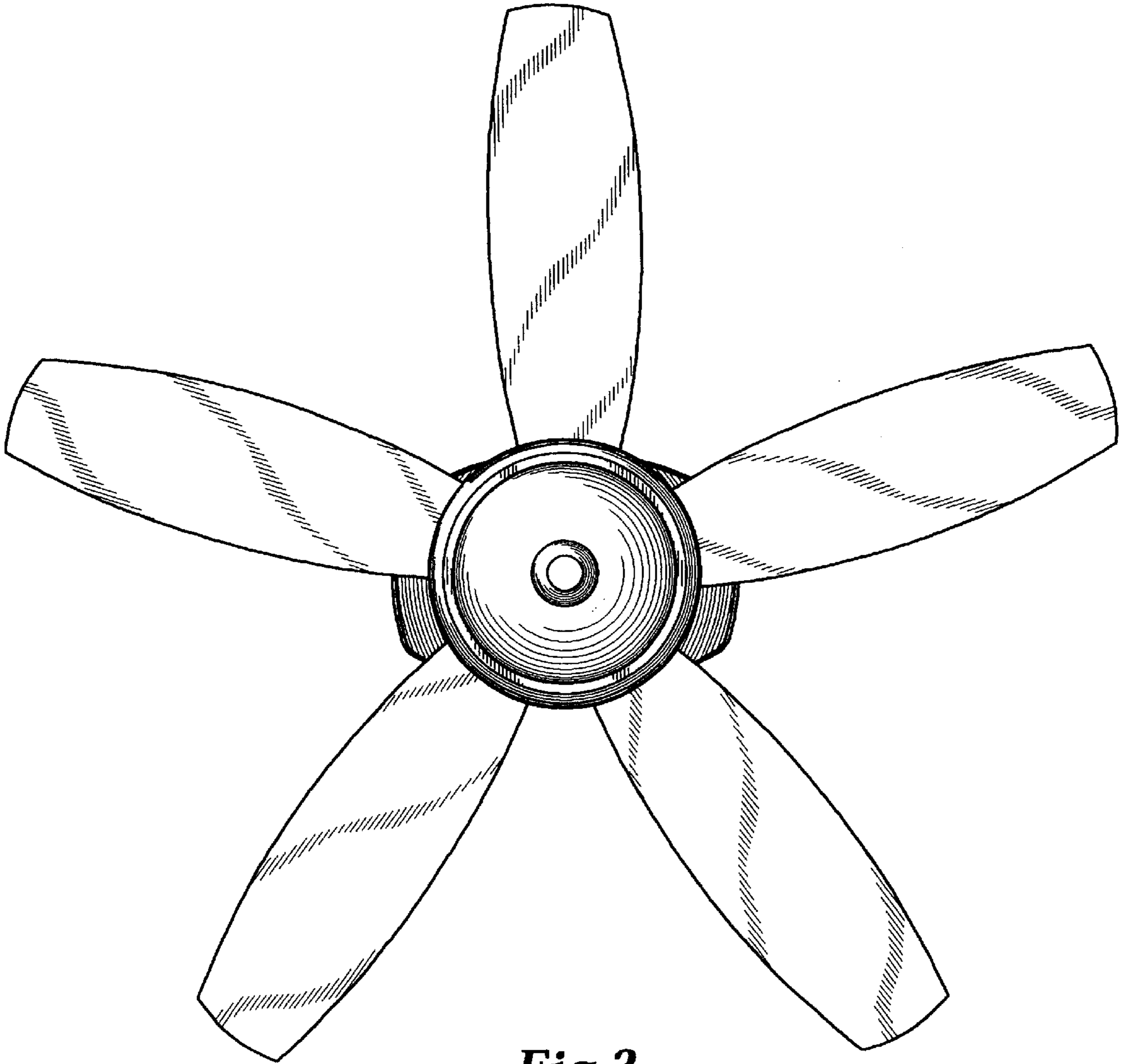
The broken line showing of environmental structure in FIGS. 1, 3 and 5 is for illustrative purposes only and forms no part of the claimed design.

**1 Claim, 3 Drawing Sheets**

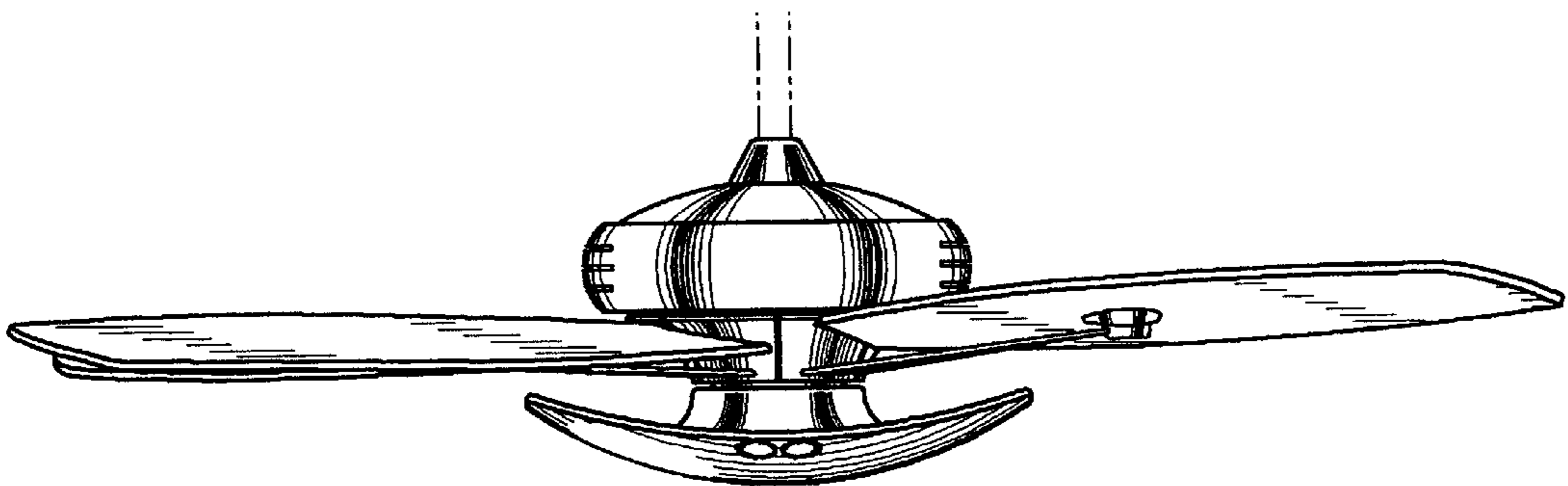




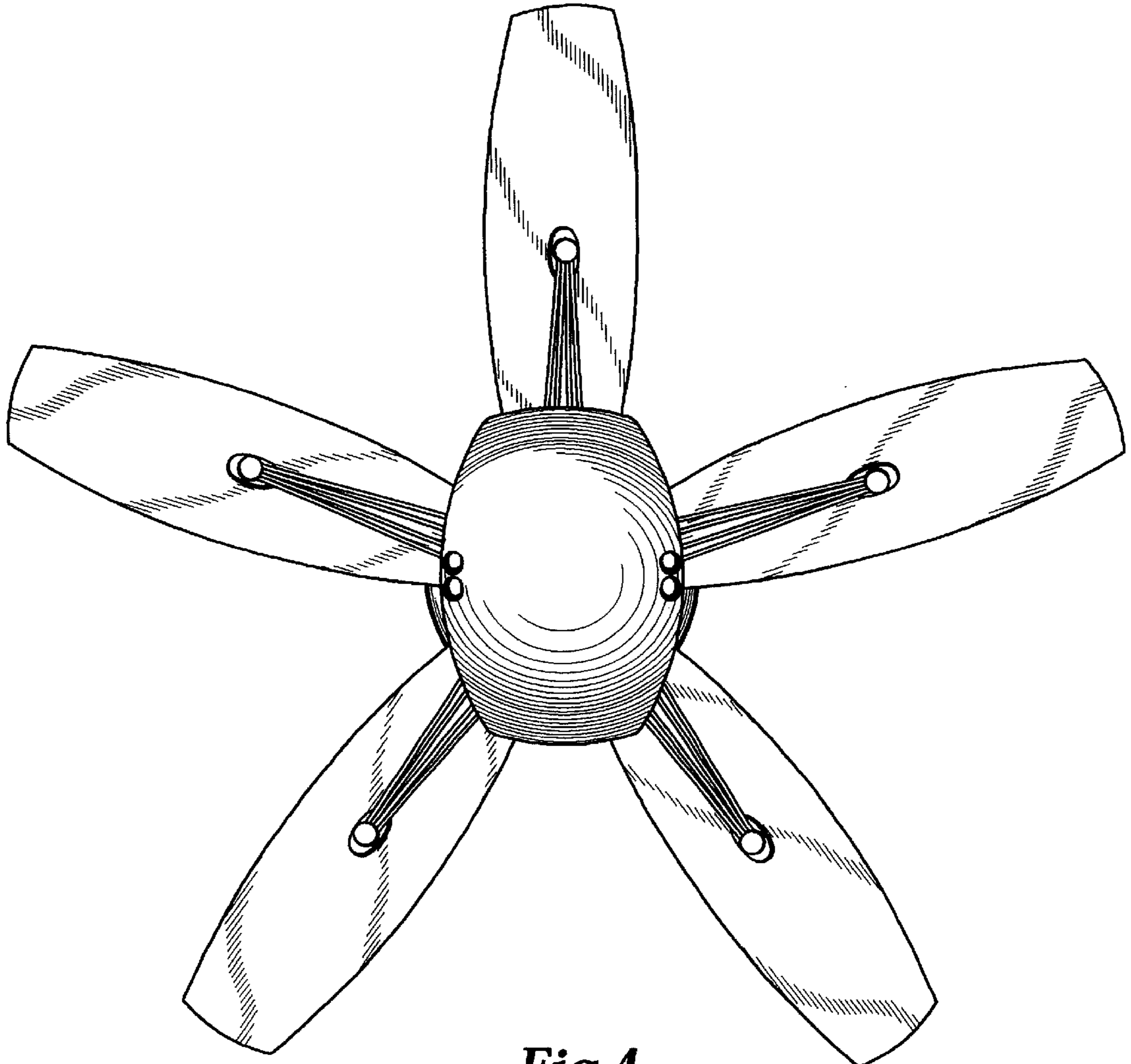
*Fig. 1*



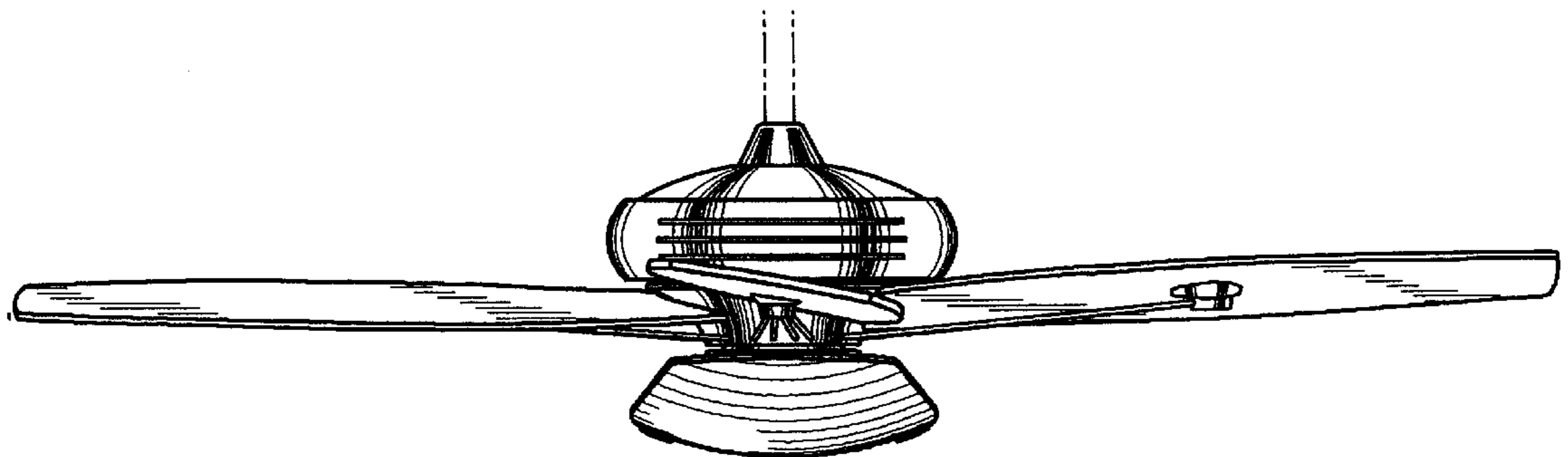
*Fig.2*



*Fig.3*



*Fig.4*



*Fig.5*