



US00D481447S

(12) **United States Design Patent**
Dole et al.

(10) **Patent No.:** **US D481,447 S**

(45) **Date of Patent:** **** Oct. 28, 2003**

(54) **ELBOW COUPLING**

(75) Inventors: **Douglas R. Dole**, Whitehouse Station, NJ (US); **Charles E. Wilk, Jr.**, Northampton, PA (US); **Lawrence W. Thau, Jr.**, Flemington, NJ (US); **Ronald R. Snyder, Sr.**, Schnecksville, PA (US)

(73) Assignee: **Victaulic Company of America**, Easton, PA (US)

(**) Term: **14 Years**

(21) Appl. No.: **29/172,654**

(22) Filed: **Dec. 16, 2002**

(51) **LOC (7) Cl.** **23-01**

(52) **U.S. Cl.** **D23/263**

(58) **Field of Search** D23/262, 263;
285/179, 179.1, 133.11, 133.21

(56) **References Cited**

U.S. PATENT DOCUMENTS

D132,939 S	*	6/1942	Corley	D23/263
D135,634 S	*	5/1943	Stark et al.	D23/263
D229,409 S	*	11/1973	Luckenbill et al.	D23/263
4,047,743 A	*	9/1977	Weintraub et al.	285/340
4,073,514 A	*	2/1978	Pate	285/127
4,586,734 A	*	5/1986	Grenier	285/340
D291,481 S	*	8/1987	Vassallo et al.	D23/263
D355,958 S	*	2/1995	Teskey	D23/263
D374,815 S	*	10/1996	Snow	138/161
5,603,530 A	*	2/1997	Guest	285/105
5,695,224 A	*	12/1997	Grenier	285/104
6,499,771 B1	*	12/2002	Snyder, Sr. et al.	285/319

OTHER PUBLICATIONS

Reducing Elbows 90, AMC Anderson Metals Corporation catalog #6187; 1987.*

U.S. patent application Ser. No. 10/007,951, filed Dec. 3, 2001, entitled "Mechanical Pipe Coupling Derived From a Standard Fitting" (Snyder, Sr. et al.).*

U.S. patent application Ser. No. 10/123,607, filed Apr. 16, 2002, entitled "Mechanical Pipe Coupling Derived From a Standard Fitting" (Snyder, Sr. et al.).*

(List continued on next page.)

Primary Examiner—Robin V. Taylor
(74) *Attorney, Agent, or Firm*—Synnestvedt & Lechner LLP

(57) **CLAIM**

The ornamental design for an elbow coupling, as shown and described.

DESCRIPTION

FIG. 1 is a perspective view of a first embodiment of our design for an elbow coupling;

FIG. 2 is a top view of the elbow coupling shown in FIG. 1; FIG. 3 is a bottom view of the elbow coupling shown in FIG. 1;

FIG. 4 is a left side view of the elbow coupling shown in FIG. 1, the right side being shown in perspective in FIG. 1; FIG. 5 is a front view of the elbow coupling shown in FIG. 1;

FIG. 6 is a rear view of the elbow coupling shown in FIG. 1;

FIG. 7 is a perspective view of a second embodiment of our design for an elbow coupling;

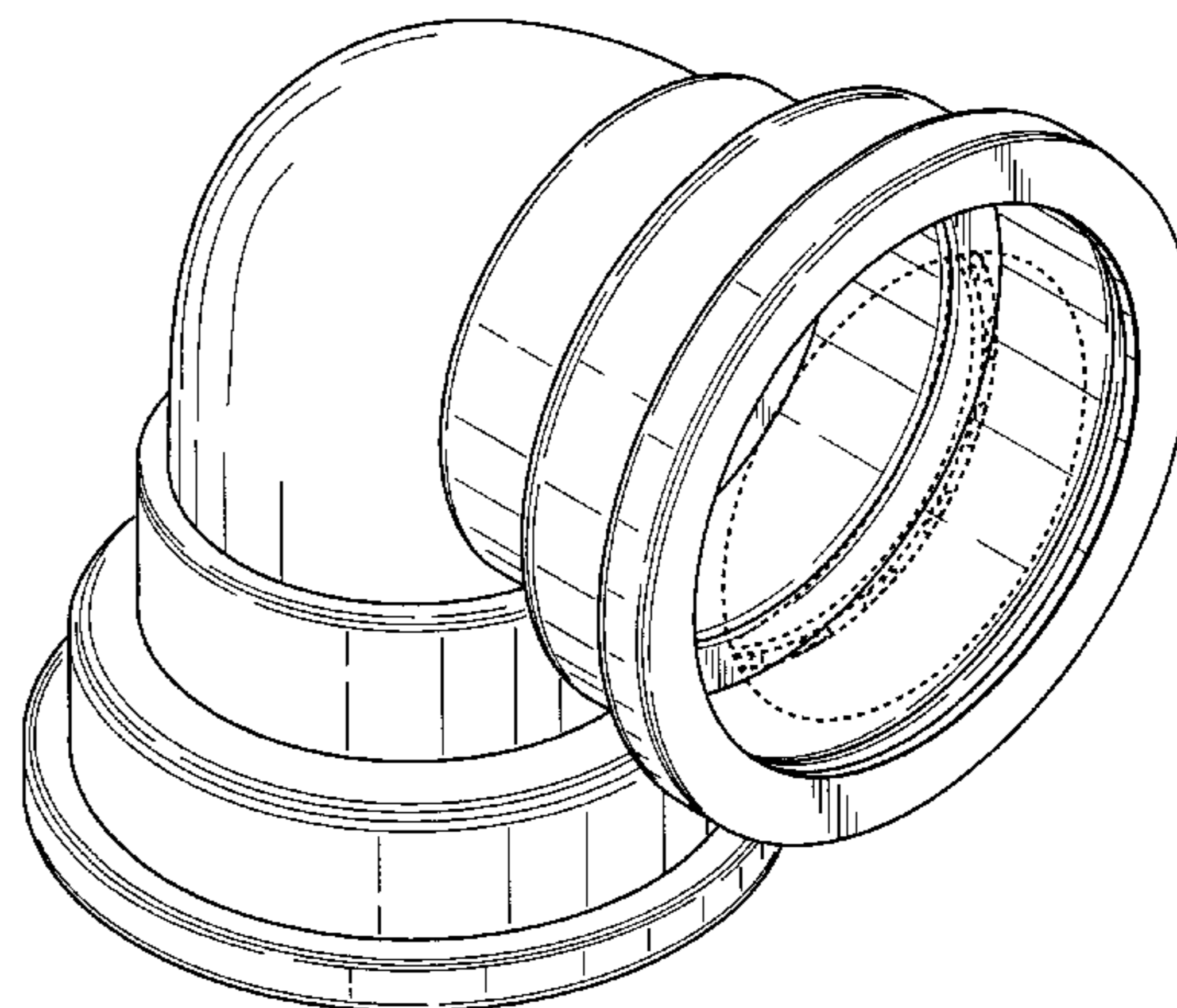
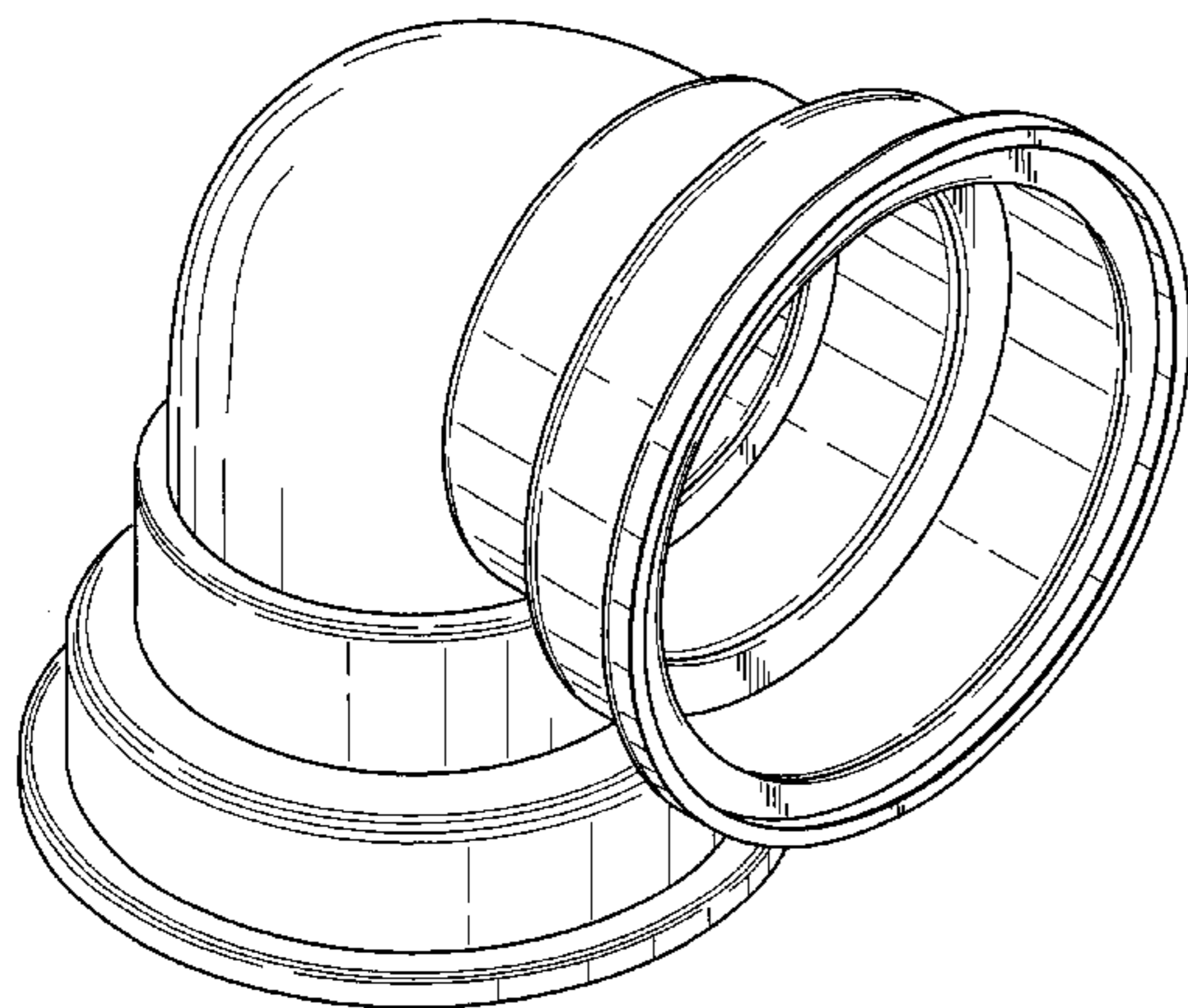
FIG. 8 is a top view of the elbow coupling shown in FIG. 7; FIG. 9 is a bottom view of the elbow coupling shown in FIG. 7;

FIG. 10 is a left side view of the elbow coupling shown in FIG. 7, the right side being shown in perspective in FIG. 7; FIG. 11 is a front view of the elbow coupling shown in FIG. 7; and,

FIG. 12 is a rear view of the elbow coupling shown in FIG. 7.

The broken lines in FIGS. 7, 9 and 11 are shown for illustrative purposes only and form no part of the claimed design.

1 Claim, 4 Drawing Sheets



OTHER PUBLICATIONS

U.S. patent application Ser. No. 10/299,164, filed Nov. 19, 2002, entitled "Clamping Mechanical Pipe Coupling Derived From a Standard Fitting" Snyder, Sr. et al).*

U.S. patent application Ser. No. 10/299,281, filed Nov. 19, 2002, entitled "Triple-Expanded Mechanical Pipe Coupling Derived from a Standard Fitting" (Snyder, Sr. et al).*

IMI Yorkshire Fittings Group Web Page, including Tectite Products and Installation (4 pages; downloaded Mar. 15, 2000).

cuprofit® Push-Fit for the Professionals, copyright 2001 (1 page; downloaded Nov. 21, 2001).

IBP Group Web Site; web pages downloaded Mar. 15, 2000, including cuprofit®, >B<press and DELCOP® products, all copyrighted 1998 IBP (12 pages total).

U.S. Design patent application Ser. No. 29/172,661, filed Dec. 16, 2002, entitled Pipe Coupling (Snyder, Sr. et al).

U.S. Design patent application Ser. No. 29/172, 660, filed Dec. 16, 2002, entitled Elbow Coupling (Snyder, Sr. et al).

U.S. Design patent application Ser. No. 29/172,658, filed Dec. 16, 2002, entitled Tee Coupling (Snyder, Sr. et al).

U.S. Design patent application Ser. No. 29/172,657, filed Dec. 16, 2002, entitled Pipe Coupling (Dole et al).

U.S. Design patent application Ser. No. 29/172,645, filed Dec. 16, 2002, entitled Tee Coupling (Dole et al).

U.S. Design patent application Ser. No. 29/172,659, filed Dec. 16, 2002, entitled Pipe Coupling (Wilke, Jr. et al).

U.S. Design patent application Ser. No. 29/172,644, filed Dec. 16, 2002, entitled Elbow Coupling (Wilk, Jr. et al).

U.S. Design patent application Ser. No. 29/172,643, filed Dec. 16, 2002, entitled Tee Coupling (Wilk, Jr. et al).

* cited by examiner

FIG. 1

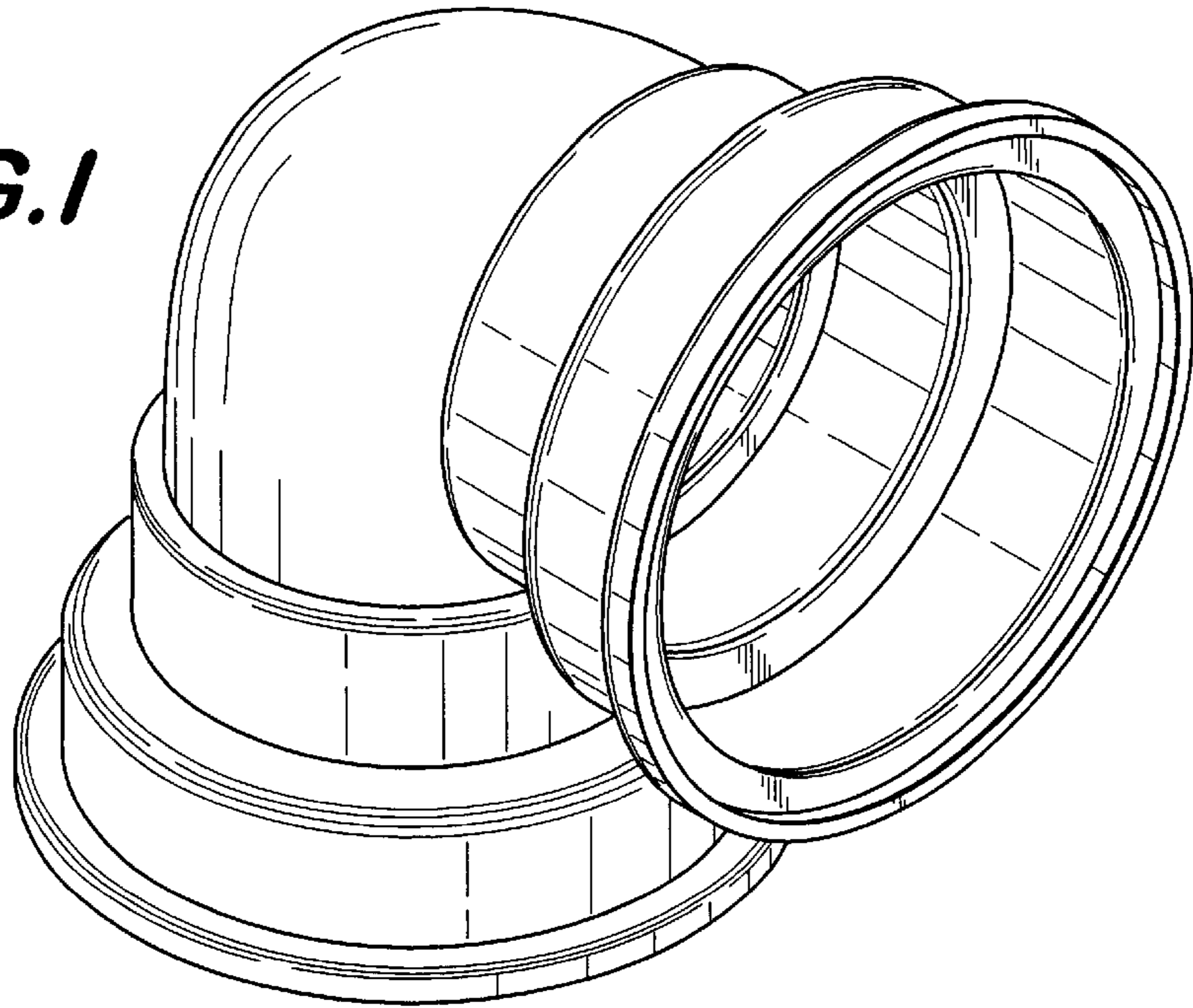


FIG. 2

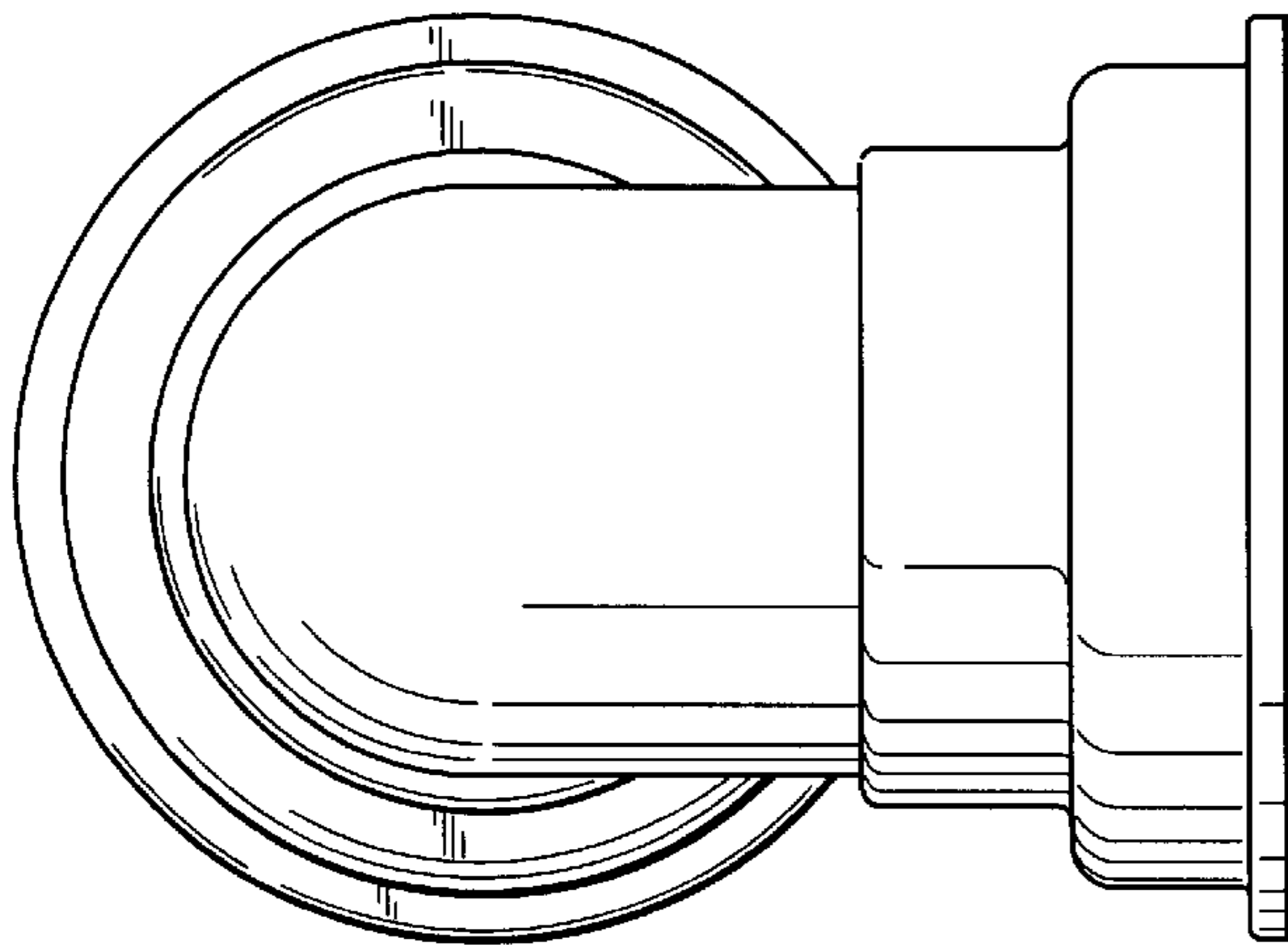
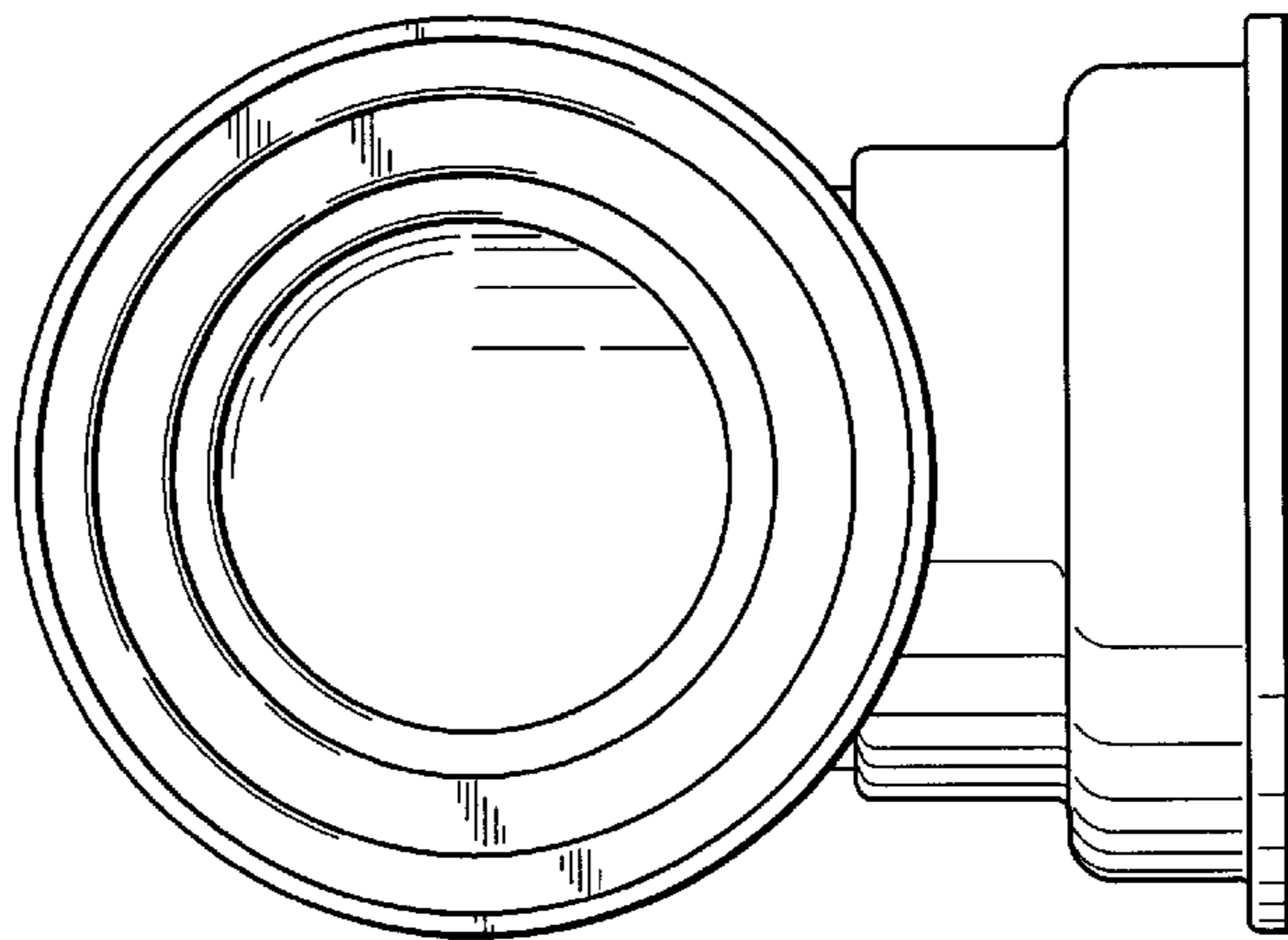


FIG. 3



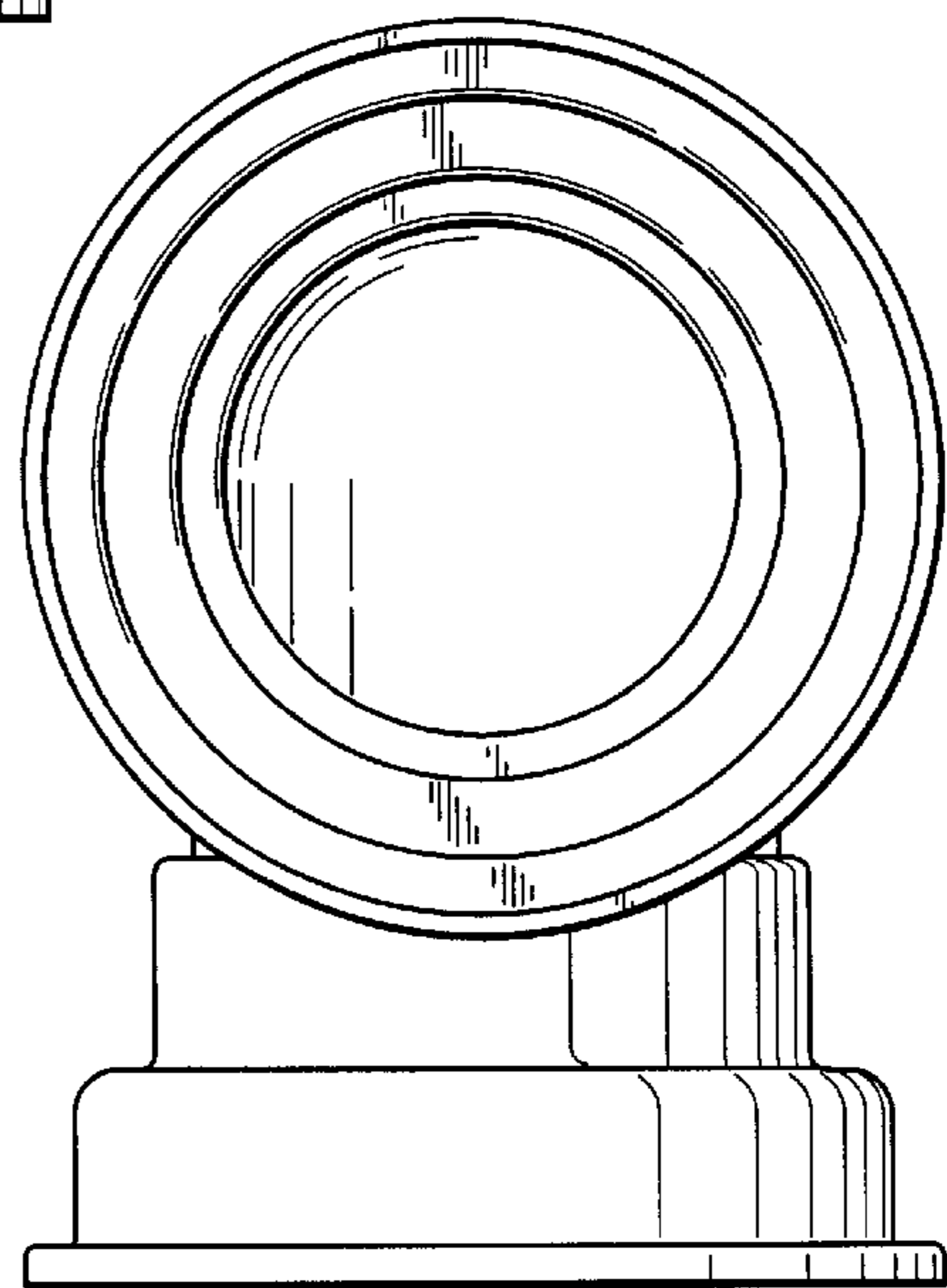
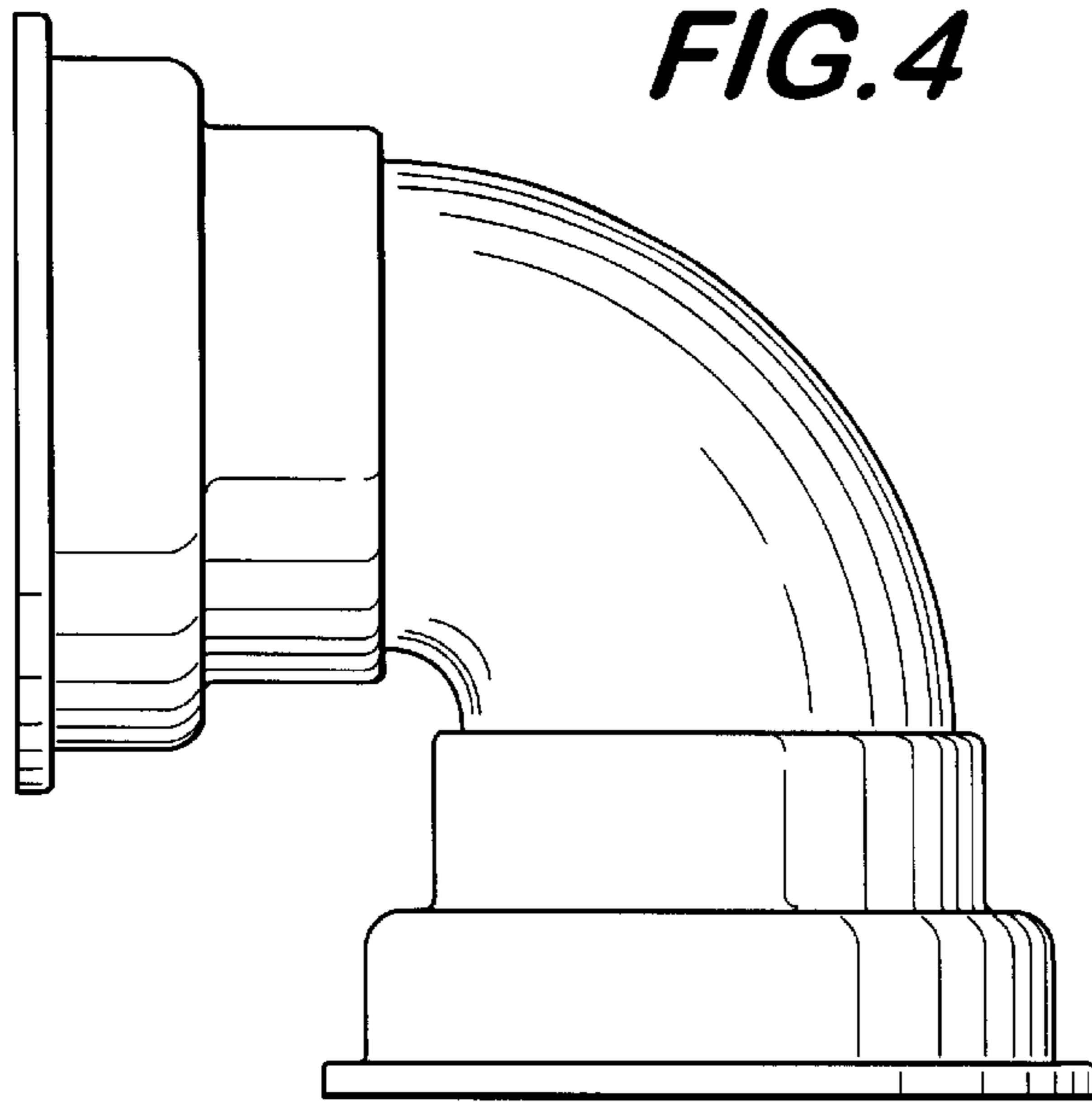


FIG. 5

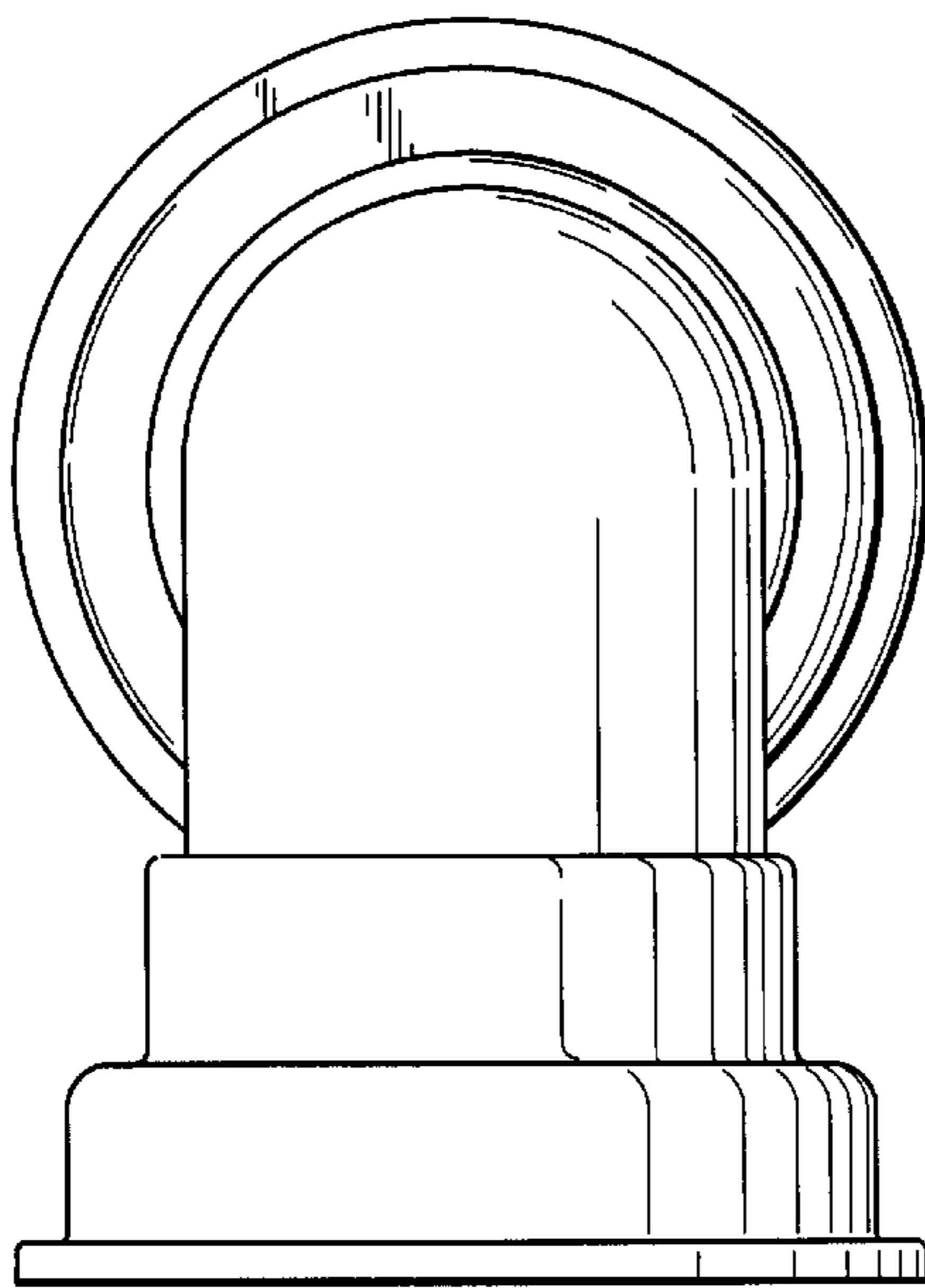


FIG. 6

FIG. 7

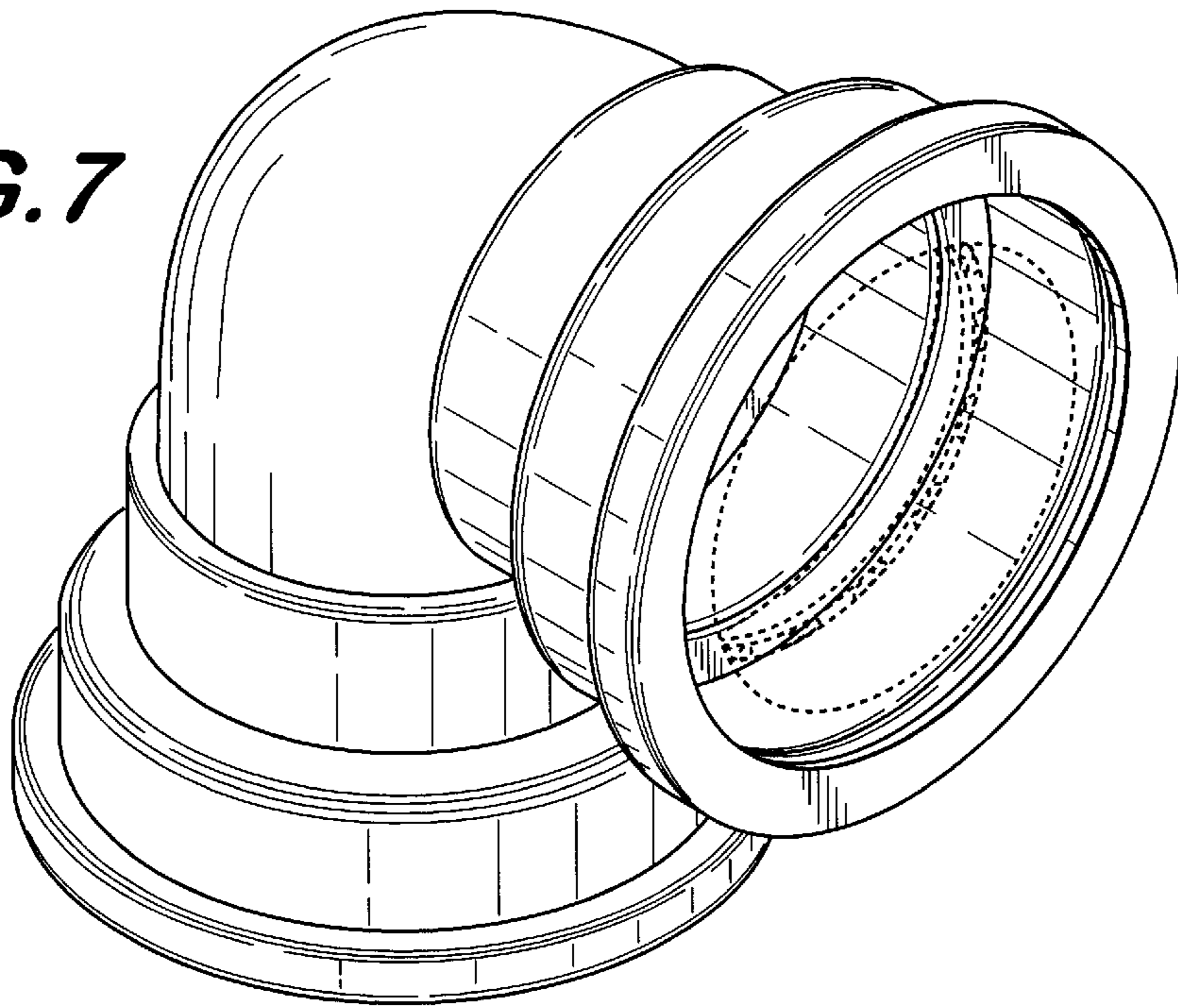


FIG. 8

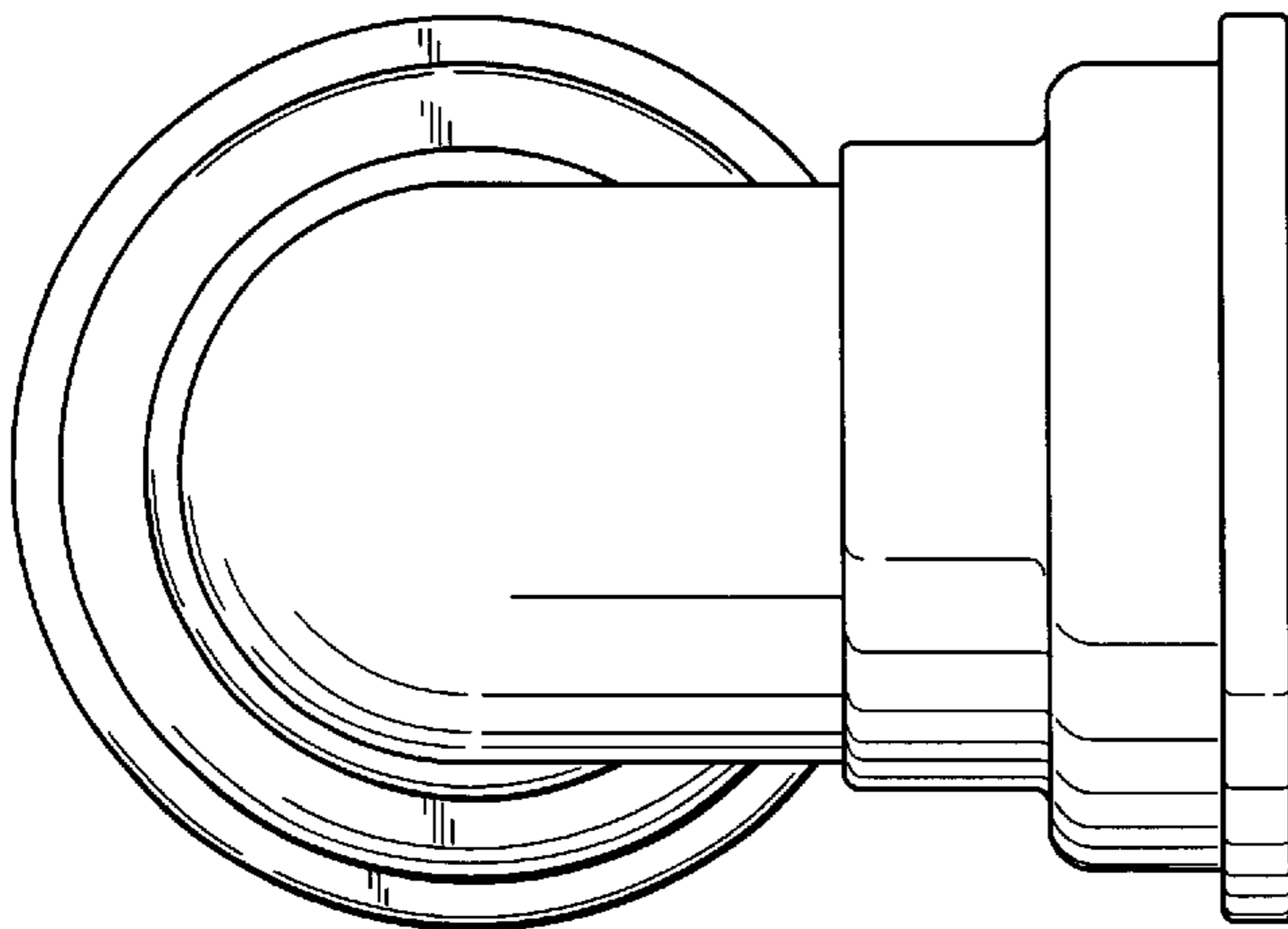


FIG. 9

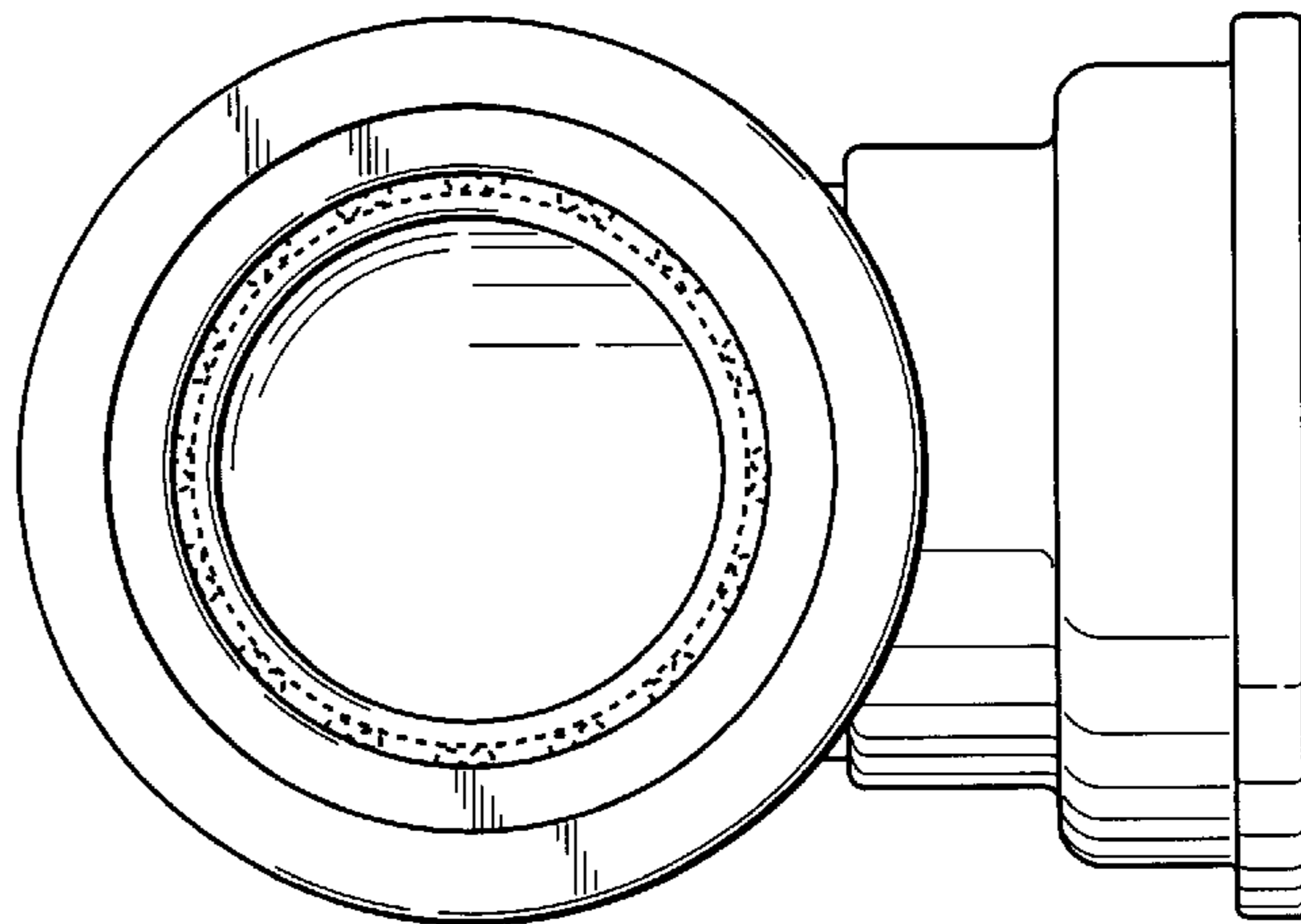


FIG.10

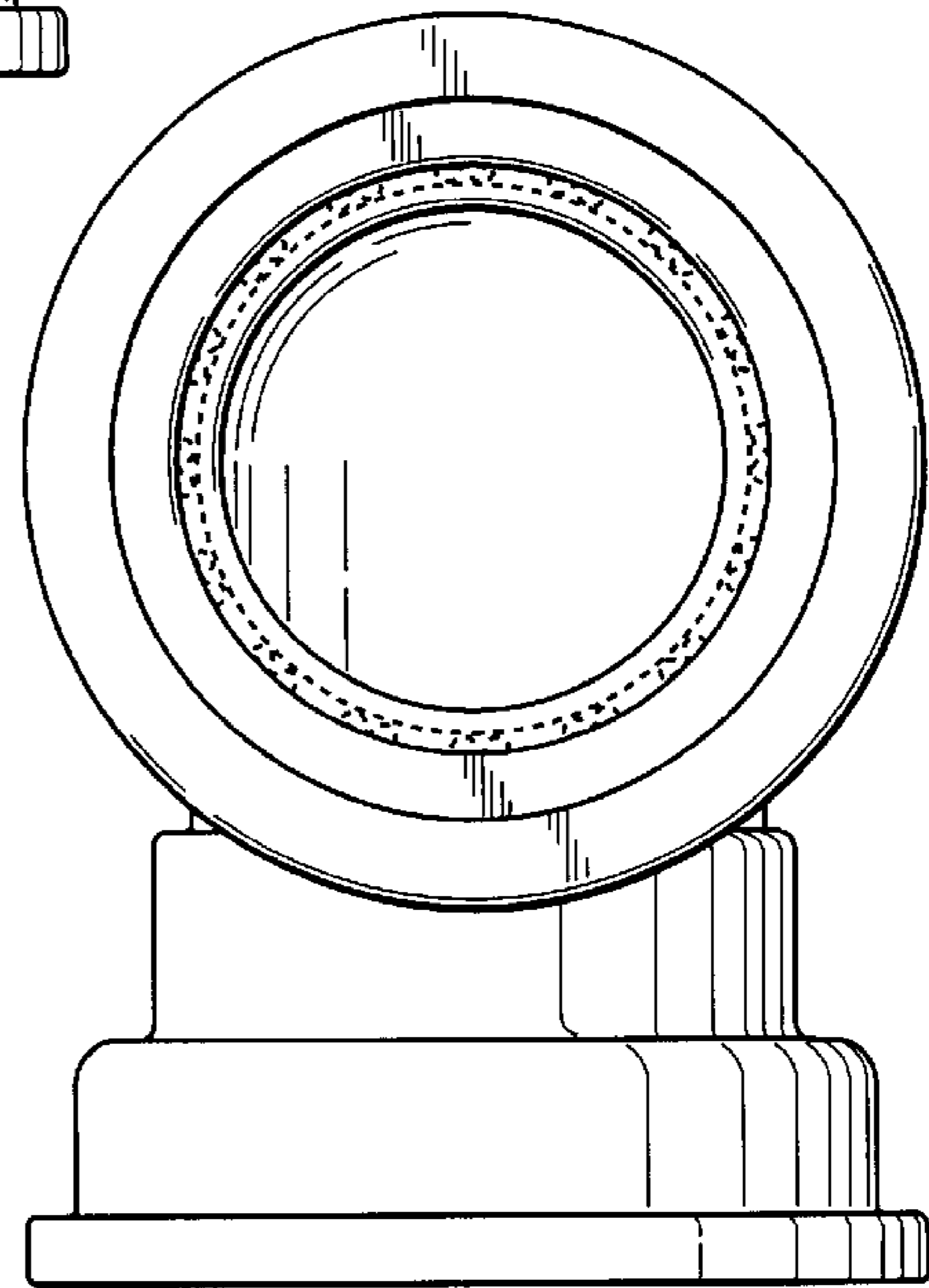
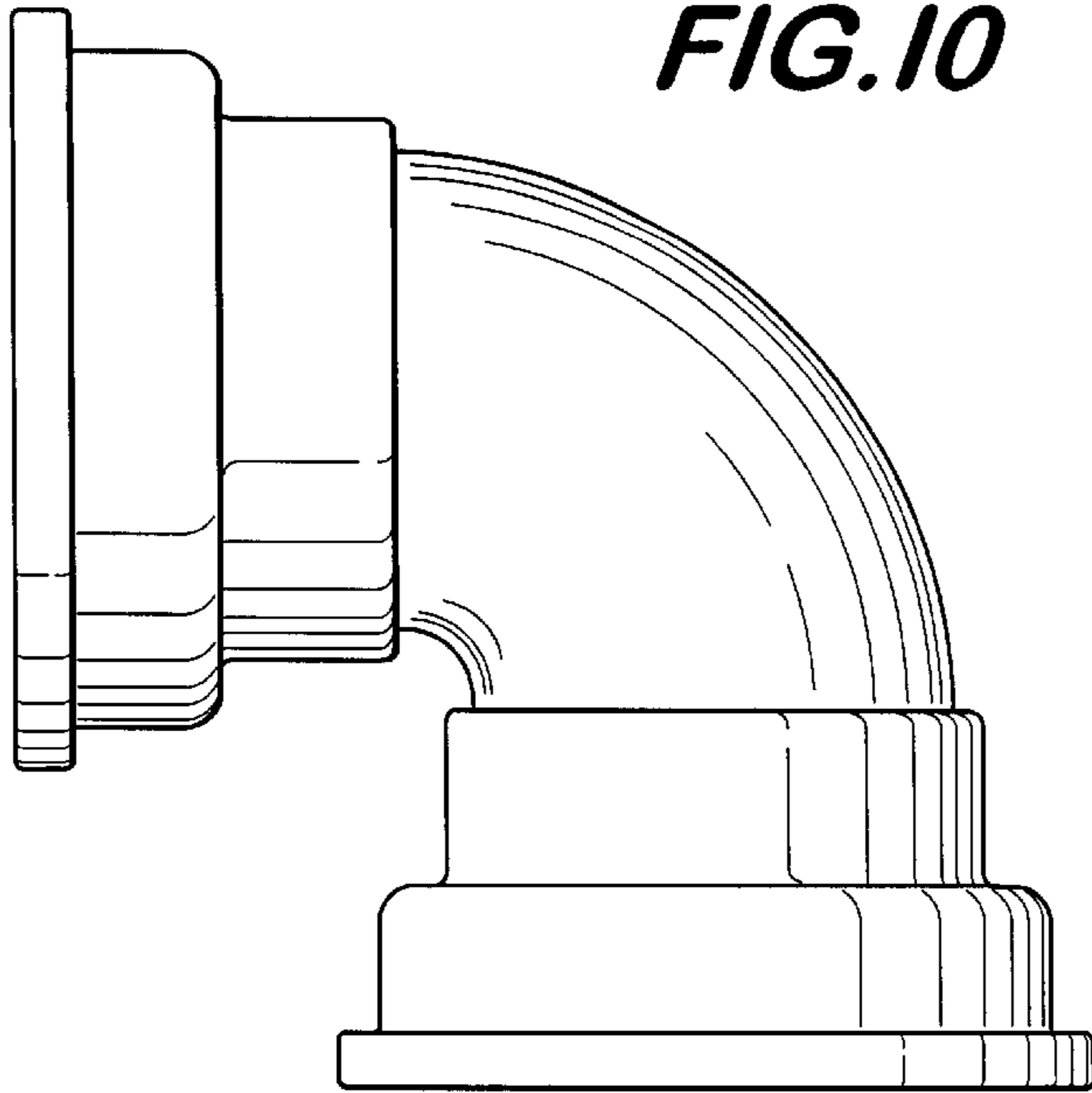


FIG.11

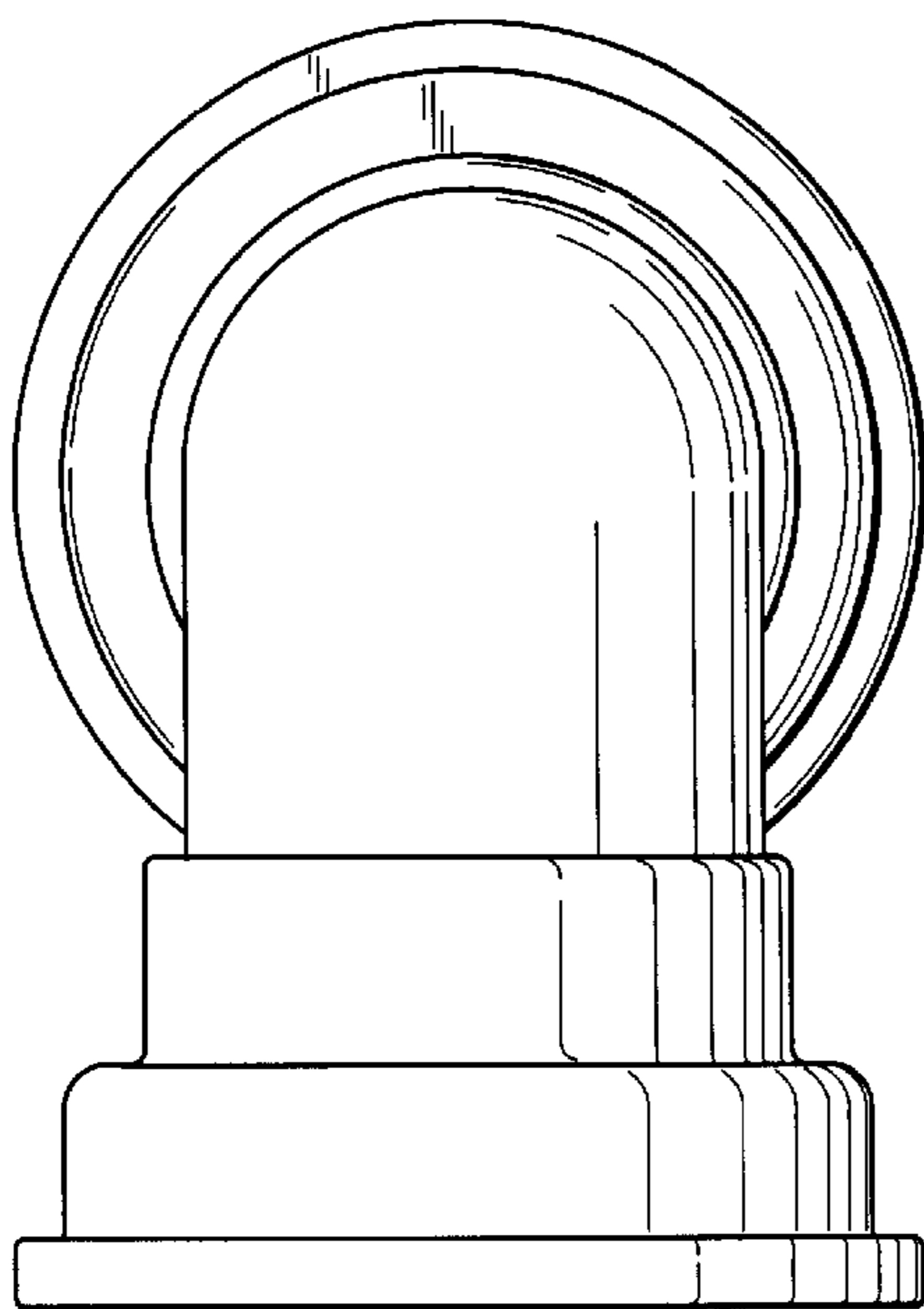


FIG.12