



US00D481445S

(12) **United States Design Patent**
Haug et al.

(10) **Patent No.:** **US D481,445 S**

(45) **Date of Patent:** **** Oct. 28, 2003**

(54) **SANITARY FAUCET**

(75) Inventors: **Andreas Haug**, Stuttgart (DE); **Tom Schönherr**, Stuttgart (DE); **Andreas Dimitriadis**, Leinzell (DE); **Fabian Kollmann**, Stuttgart (DE); **Peter Kolin**, Schwäbisch-Gmünd (DE)

(73) Assignee: **Hansgrohe AG**, Schiltach (DE)

(**) Term: **14 Years**

(21) Appl. No.: **29/174,672**

(22) Filed: **Jan. 22, 2003**

(30) **Foreign Application Priority Data**

Jul. 23, 2002 (DE) 4 02 06 055

(51) **LOC (7) Cl.** **23-01**

(52) **U.S. Cl.** **D23/238**

(58) **Field of Search** D23/238-243,
D23/250-257; 4/675-678; 137/801

(56) **References Cited**

U.S. PATENT DOCUMENTS

D281,095 S * 10/1985 Arnold et al. D23/238
D438,289 S * 2/2001 Mark et al. D23/242
D466,979 S * 12/2002 Shultz D23/238
D468,398 S * 1/2003 Ziemann D23/238

OTHER PUBLICATIONS

GESSE brochure, two pages, Oct. 2001.

NEWFORM S.p.A. catalog, one page, Mar., 2001.

RubINETTERIE BANDINI catalog, one page, Mar., 2002.

* cited by examiner

Primary Examiner—Louis S. Zarfes
Assistant Examiner—Gregory Andoll
(74) *Attorney, Agent, or Firm*—Duane Morris LLP

(57) **CLAIM**

The ornamental design for a sanitary faucet, as shown and described.

DESCRIPTION

FIG. 1: is a side perspective view of the sanitary faucet showing our new design;

FIG. 2: is another side perspective view of the sanitary faucet shown in FIG. 1, wherein the water outlet is shown in an extended position;

FIG. 3: is a front elevation view of the faucet shown in FIG. 1;

FIG. 4: is a rear elevation view of the faucet shown in FIG. 1;

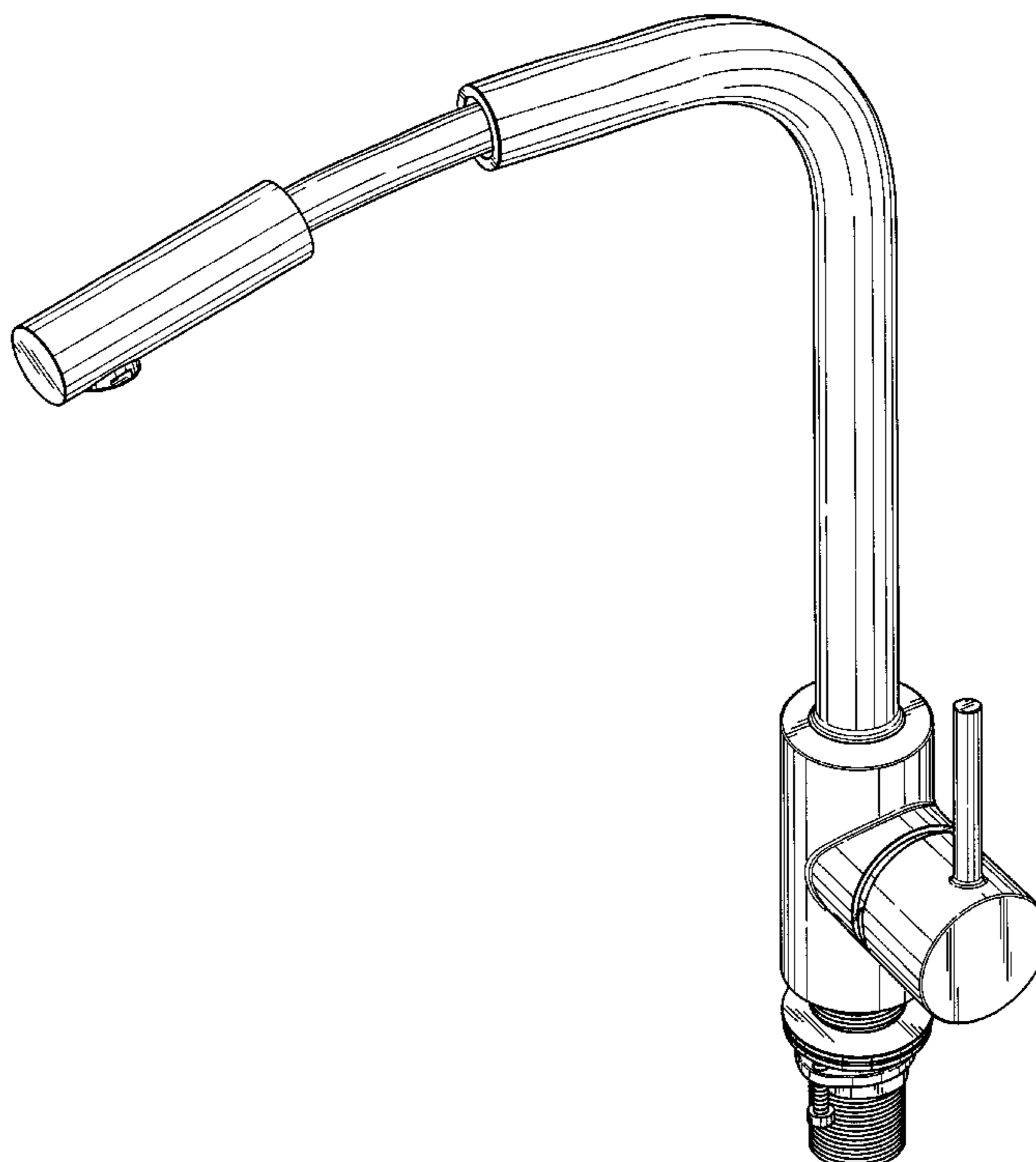
FIG. 5: is a side elevation view of the faucet shown in FIG. 1;

FIG. 6: is the opposite side elevation view thereof;

FIG. 7: is a top plan view of the faucet shown in FIG. 1; and,

FIG. 8: is a bottom plan view of the faucet shown in FIG. 1.

1 Claim, 6 Drawing Sheets



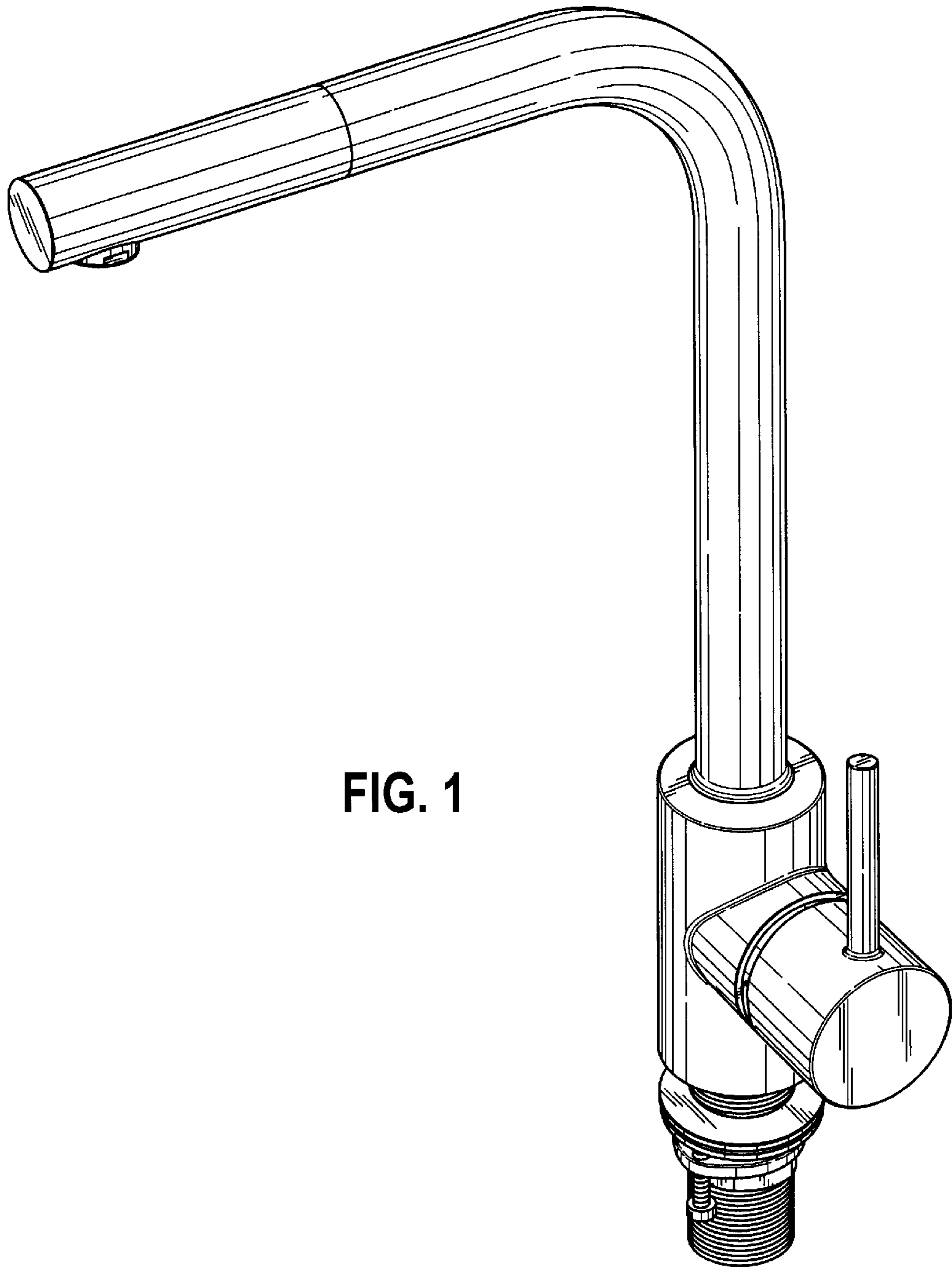


FIG. 1

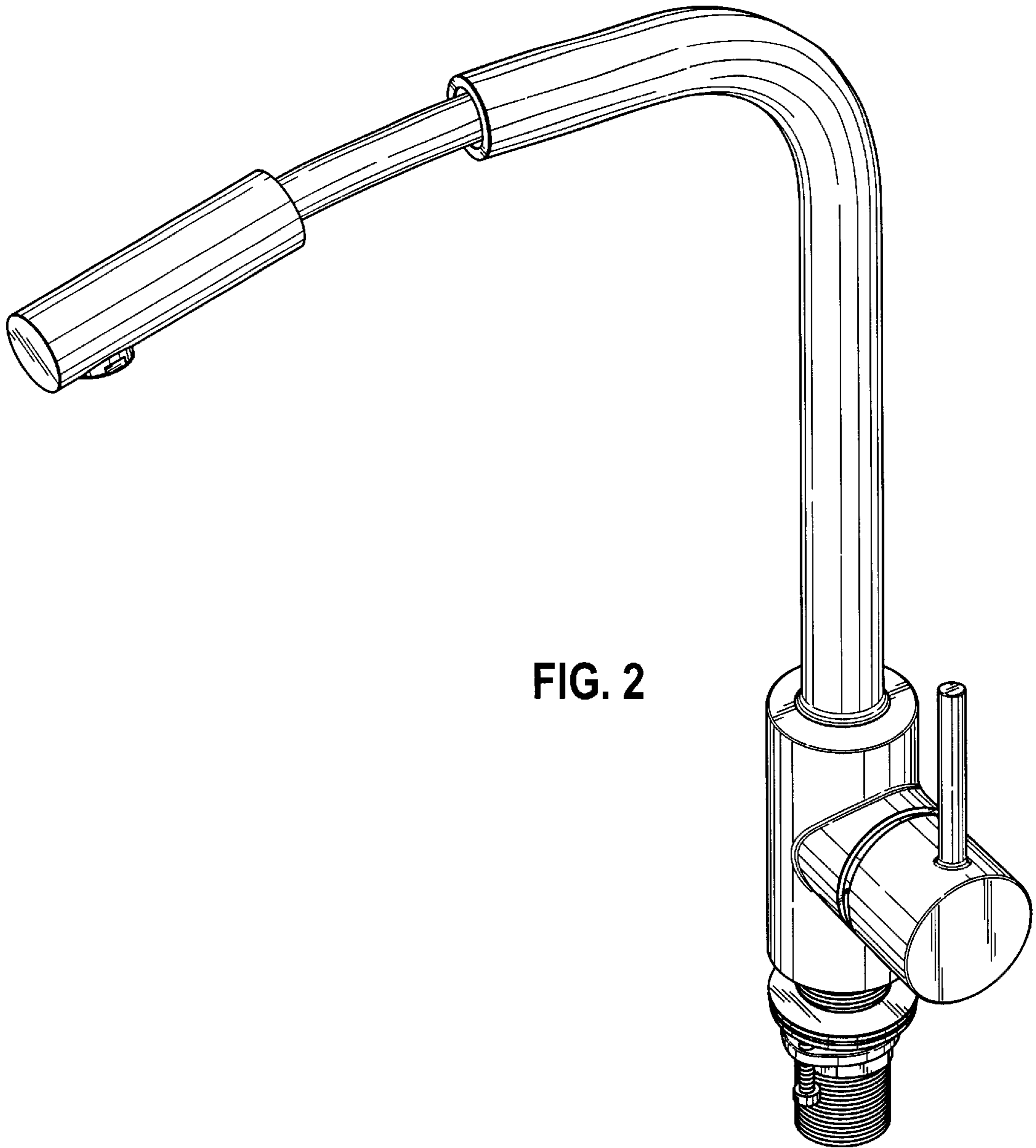


FIG. 3

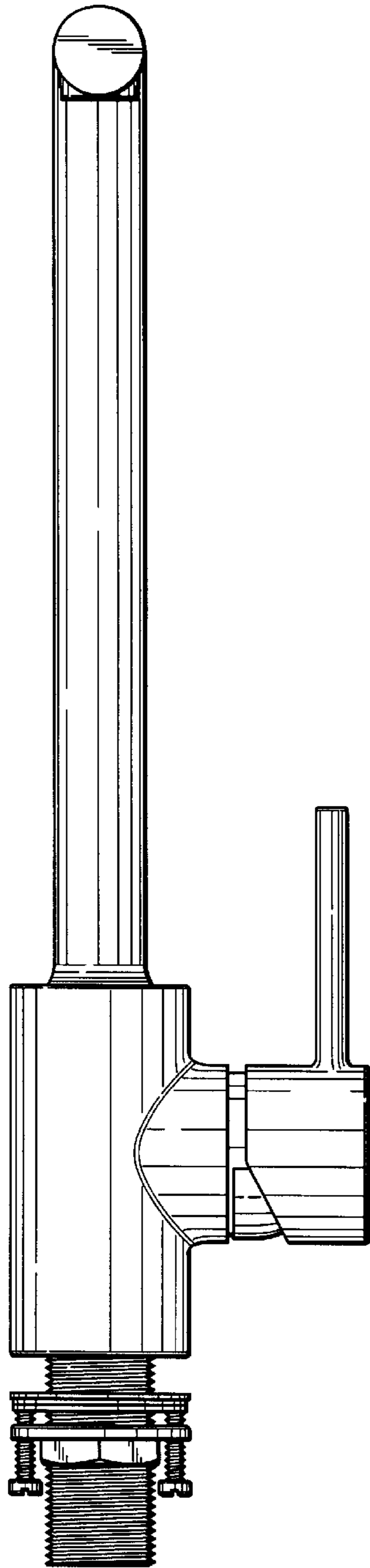
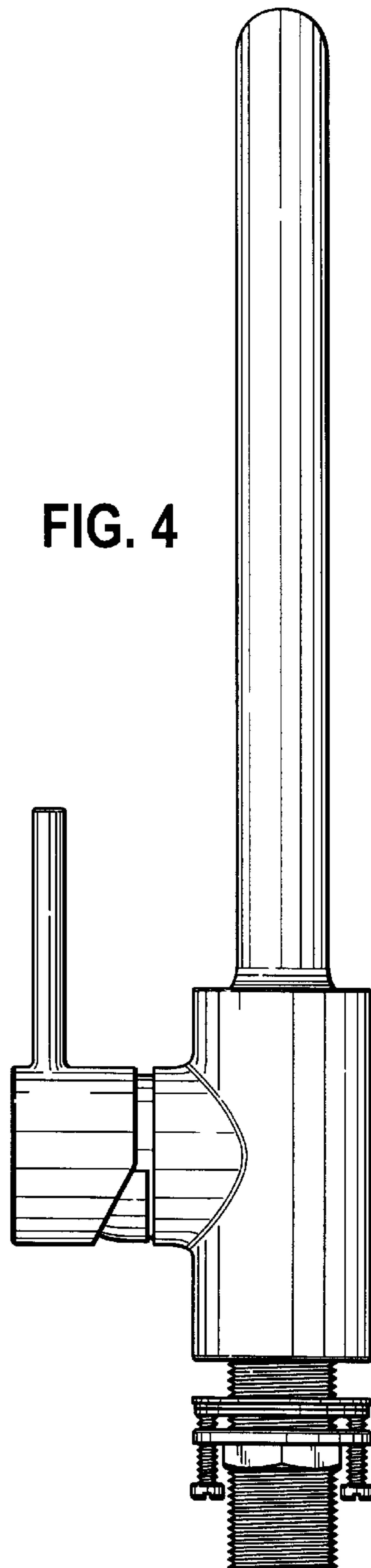


FIG. 4



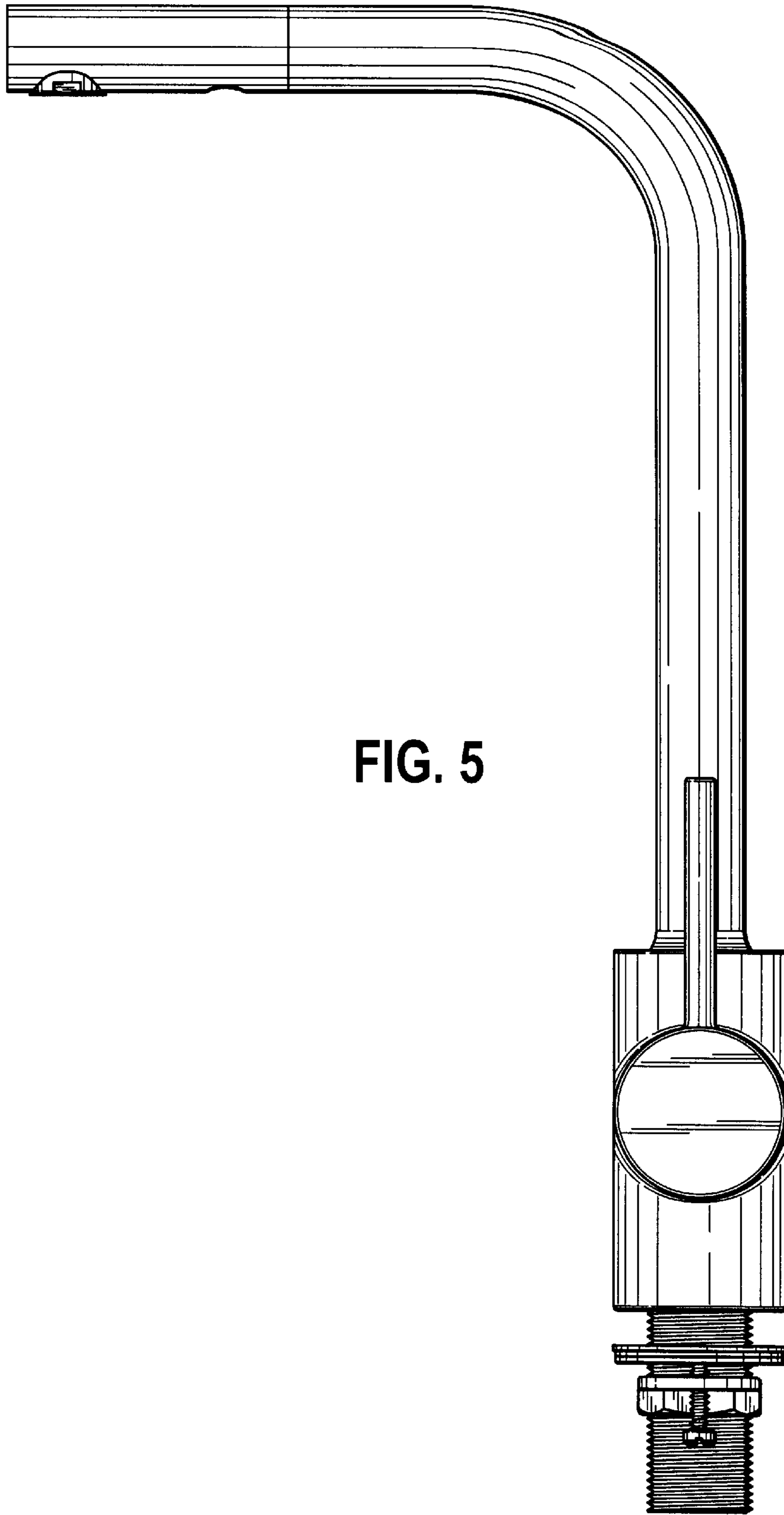


FIG. 5

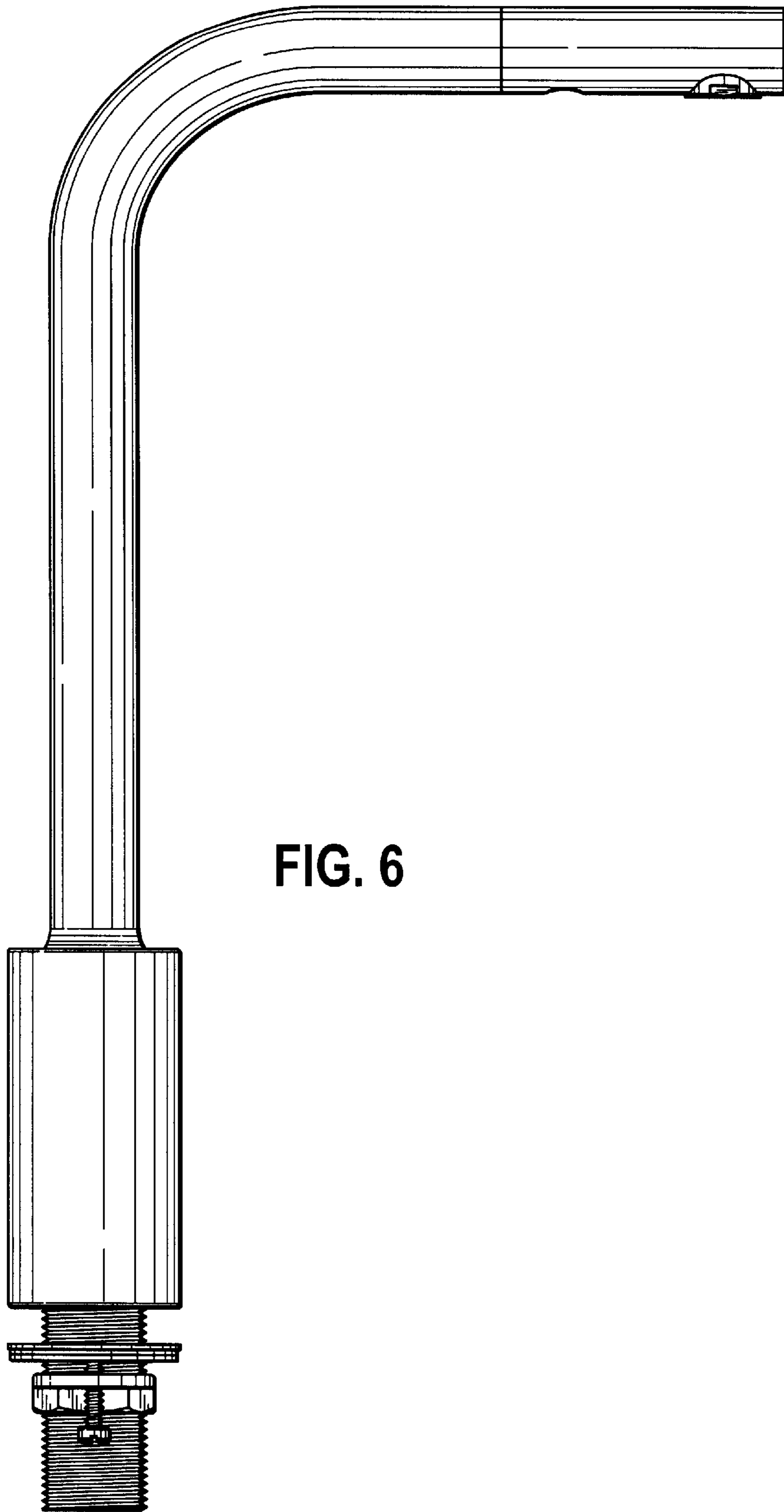


FIG. 6

