



US00D481444S

(12) **United States Design Patent**
Guo

(10) **Patent No.:** **US D481,444 S**

(45) **Date of Patent:** **** Oct. 28, 2003**

(54) **BASE FOR SPRINKLER**

(76) Inventor: **Hsih-Hsiung Guo**, No.40, Kuo Chain
Li, Lu Kang., Chang Hua (TW)

(**) Term: **14 Years**

(21) Appl. No.: **29/178,246**

(22) Filed: **Mar. 25, 2003**

(51) **LOC (7) Cl.** **23-01**

(52) **U.S. Cl.** **D23/221; D23/217**

(58) **Field of Search** **D23/213, 221,**
D23/217; 239/276, 273

(56) **References Cited**

U.S. PATENT DOCUMENTS

1,031,176	A	*	7/1912	Glipin	239/276
3,387,785	A	*	6/1968	Jagers	239/200
D284,785	S	*	7/1986	Lemkin et al.	D23/221
D375,663	S	*	11/1996	Arnold	D8/1
5,687,909	A	*	11/1997	Dean	239/276

* cited by examiner

Primary Examiner—Robin V. Taylor

(74) *Attorney, Agent, or Firm*—Rosenberg, Klein & Lee

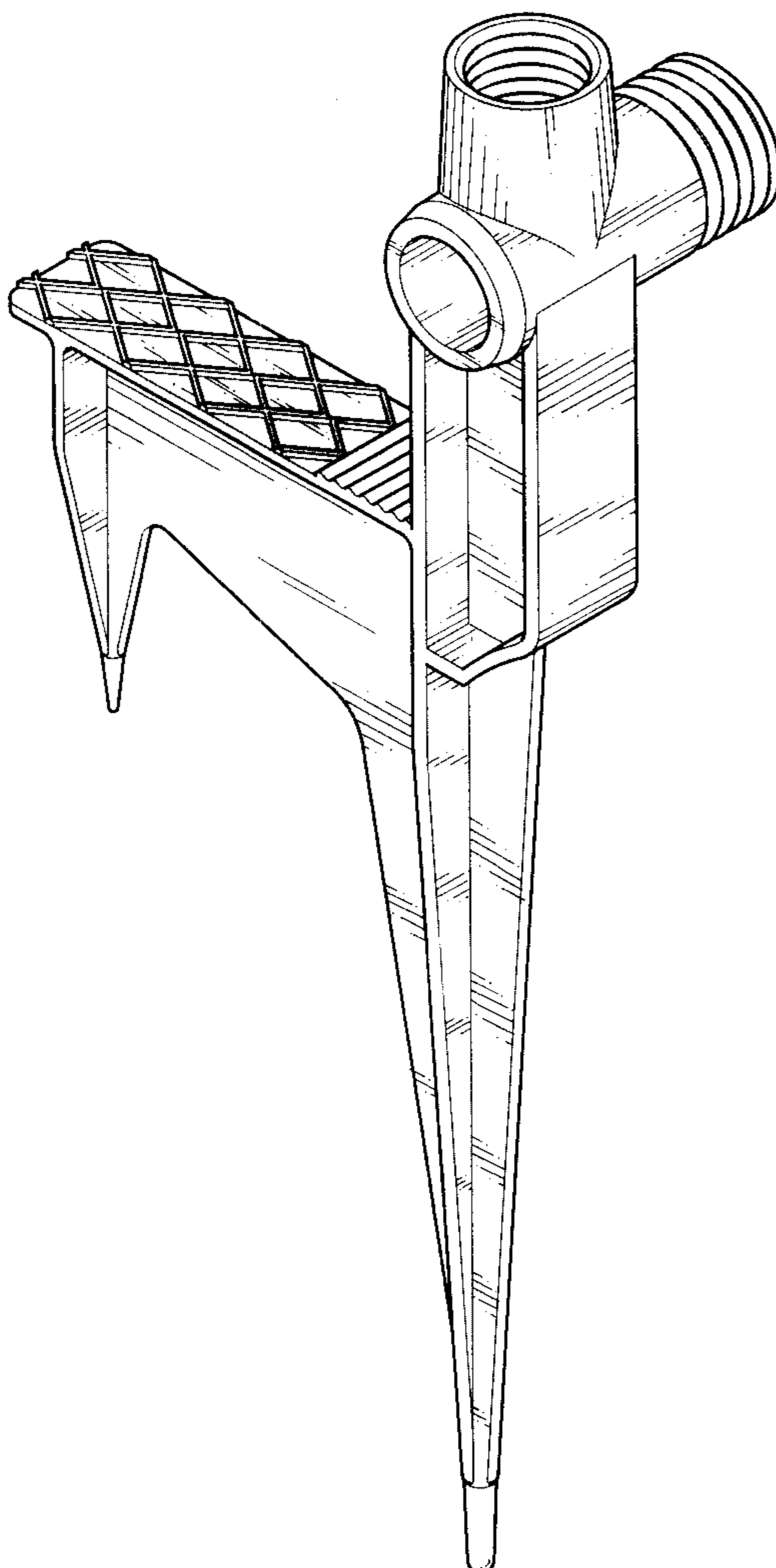
(57) **CLAIM**

The ornamental design for a base for sprinkler, as shown and described.

DESCRIPTION

FIG. 1 is a front-left-top perspective view of an base for sprinkler showing my new design;
FIG. 2 is a front elevational view thereof;
FIG. 3 is a rear elevational view thereof, and
FIG. 4 is a left side elevational view thereof,
FIG. 5 is a right side elevational view thereof,
FIG. 6 is a top plane view thereof; and
FIG. 7 is a bottom plane view thereof; and,
FIG. 8 is is a perspective view thereof; with a sprinkler shown in broken lines for illustrative purpose only and forms no part of the claim.

1 Claim, 6 Drawing Sheets



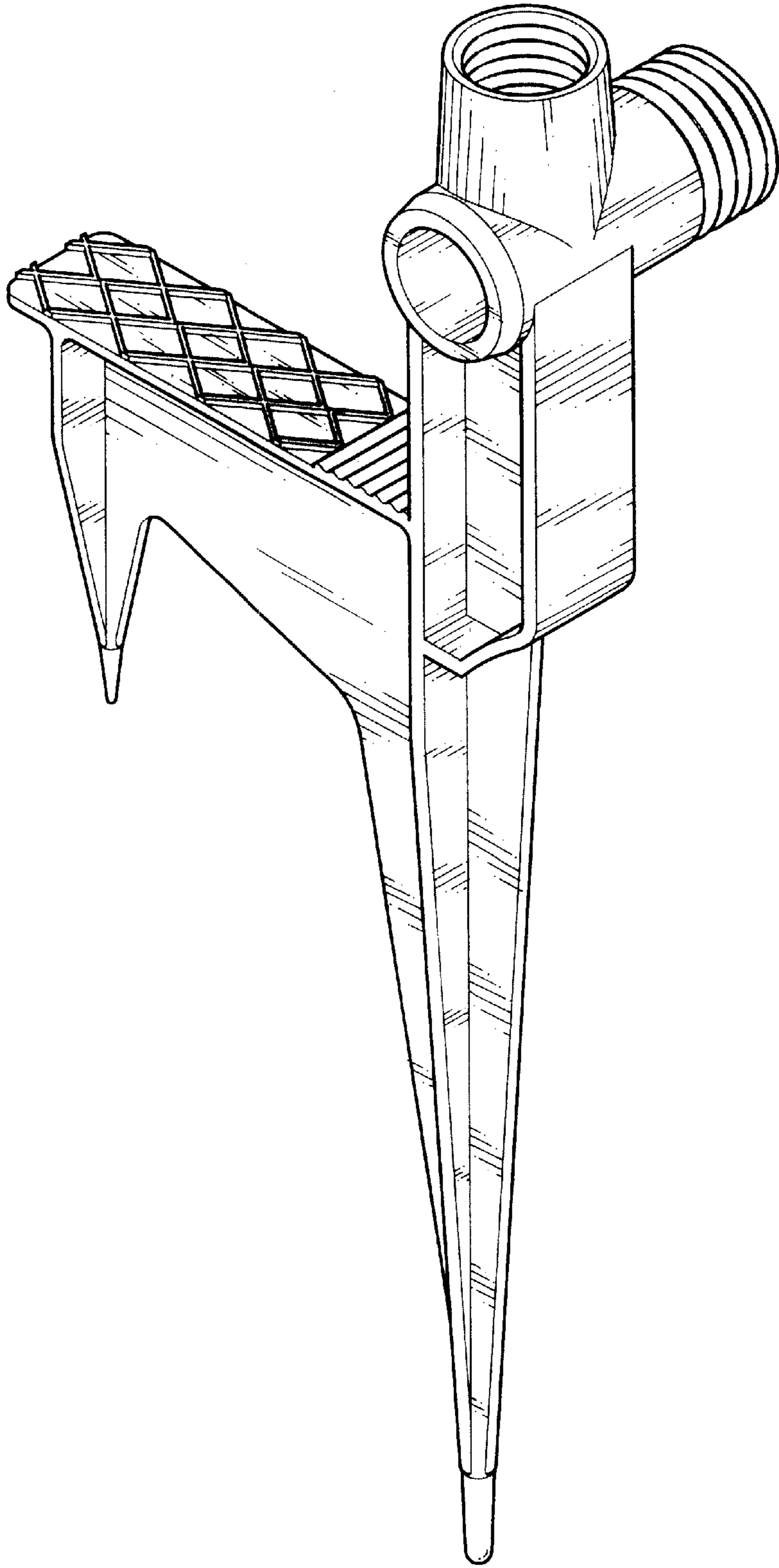


FIG. 1

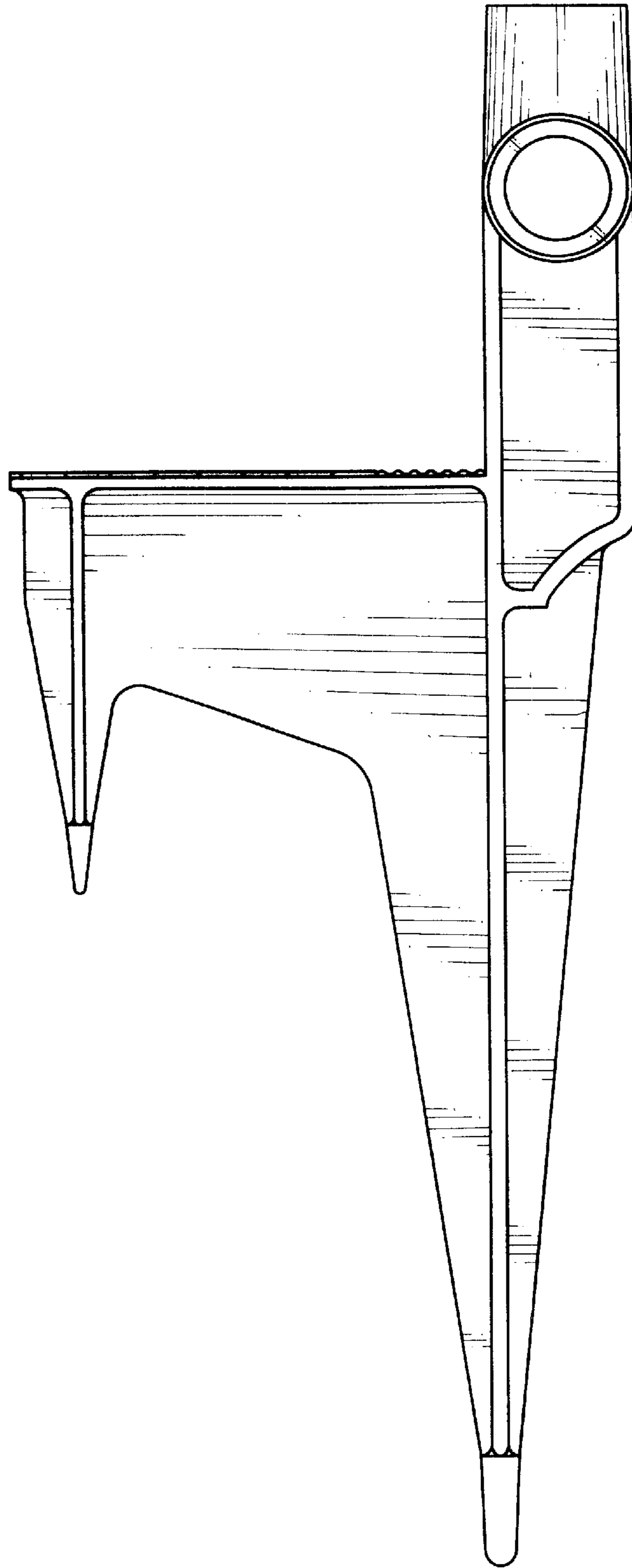


FIG. 2

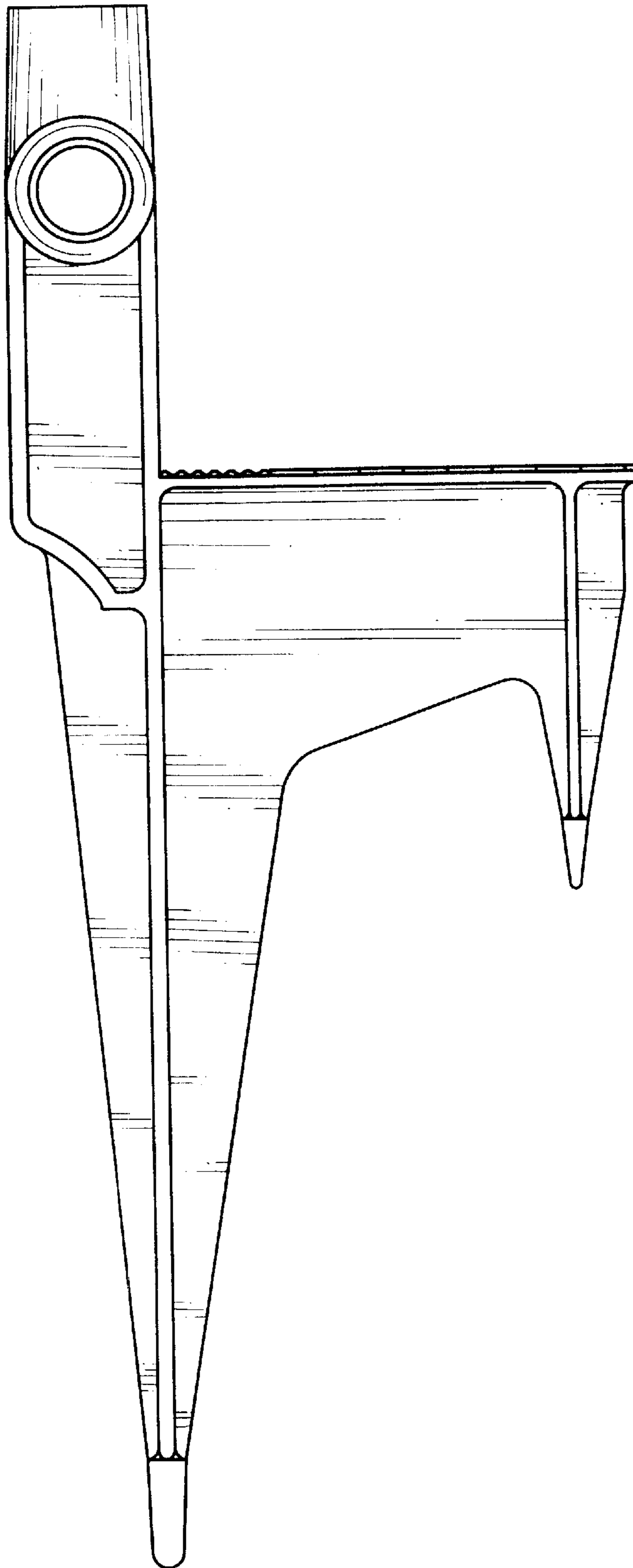


FIG. 3

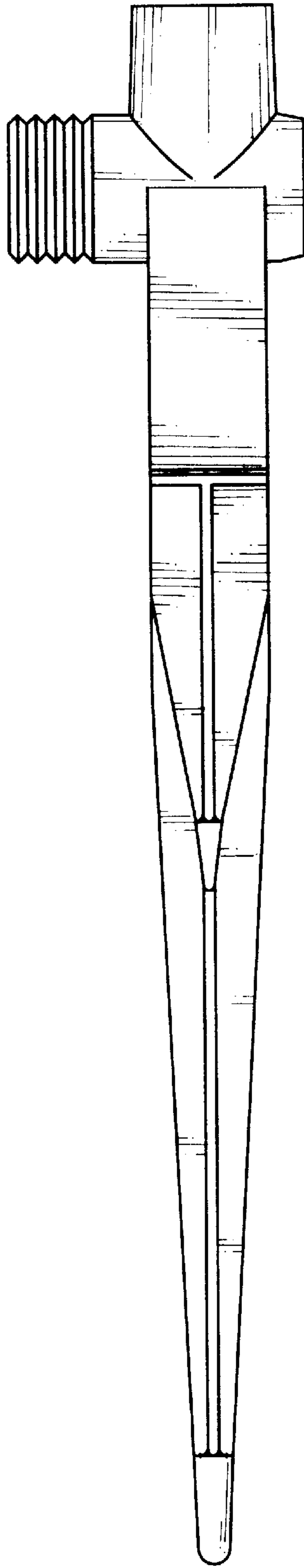


FIG. 4

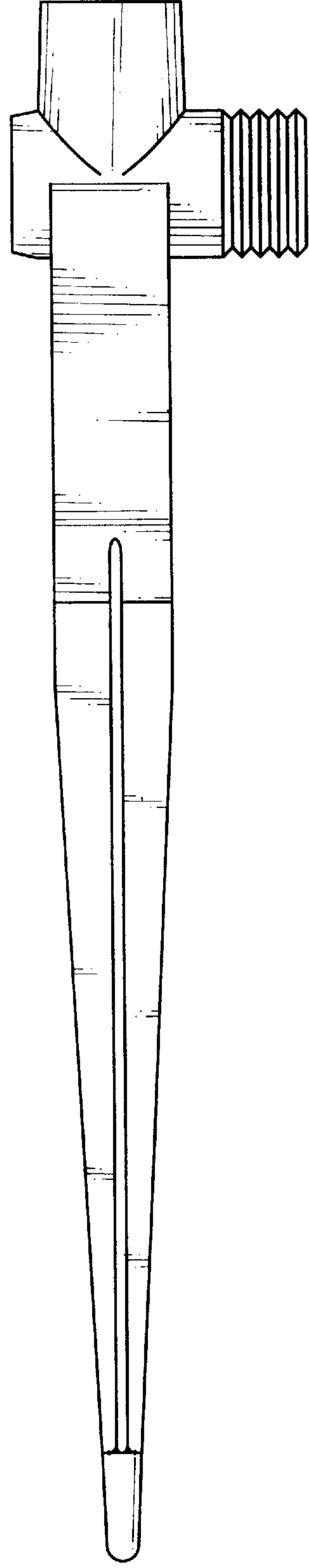


FIG. 5

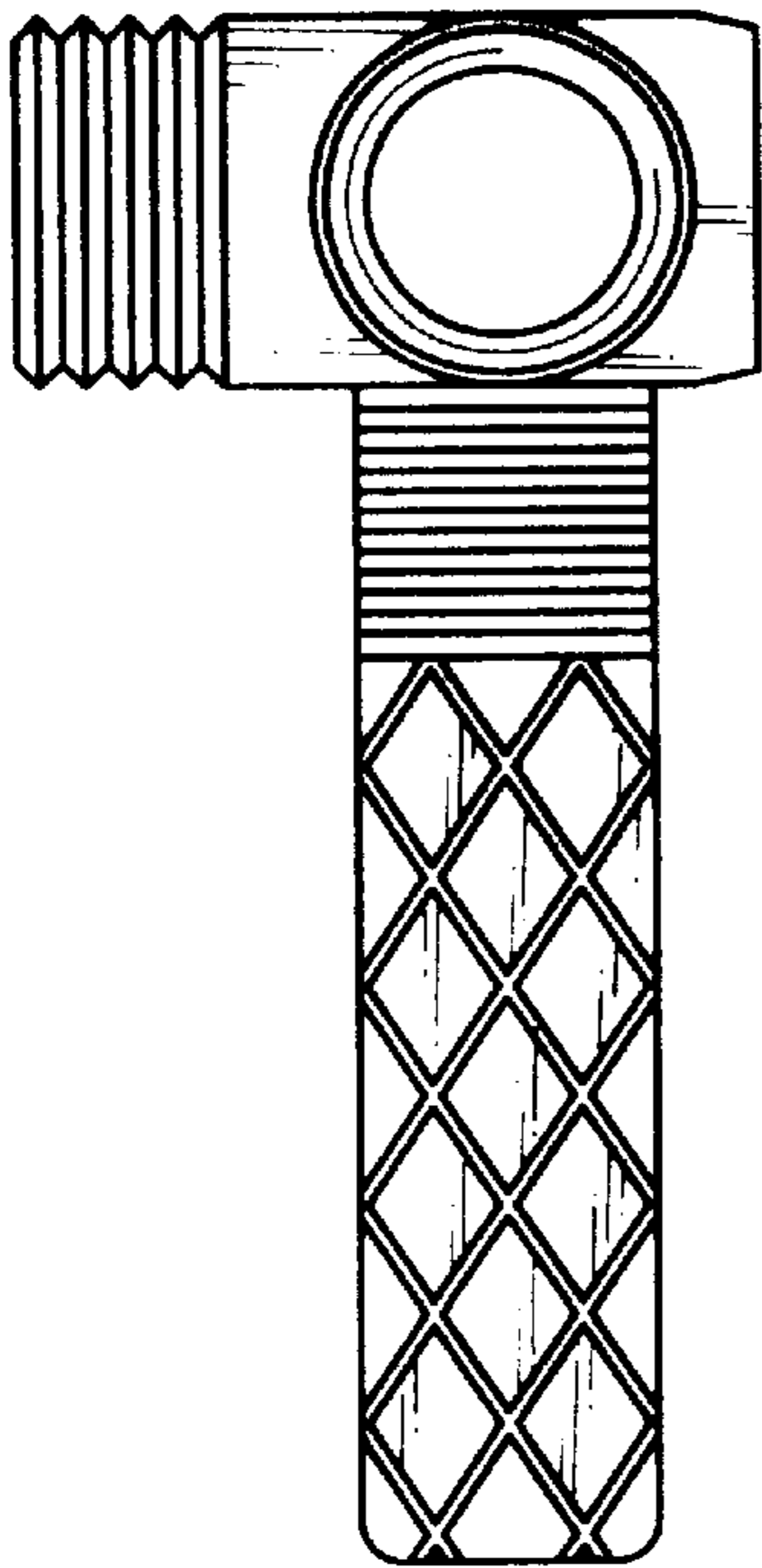


FIG. 6

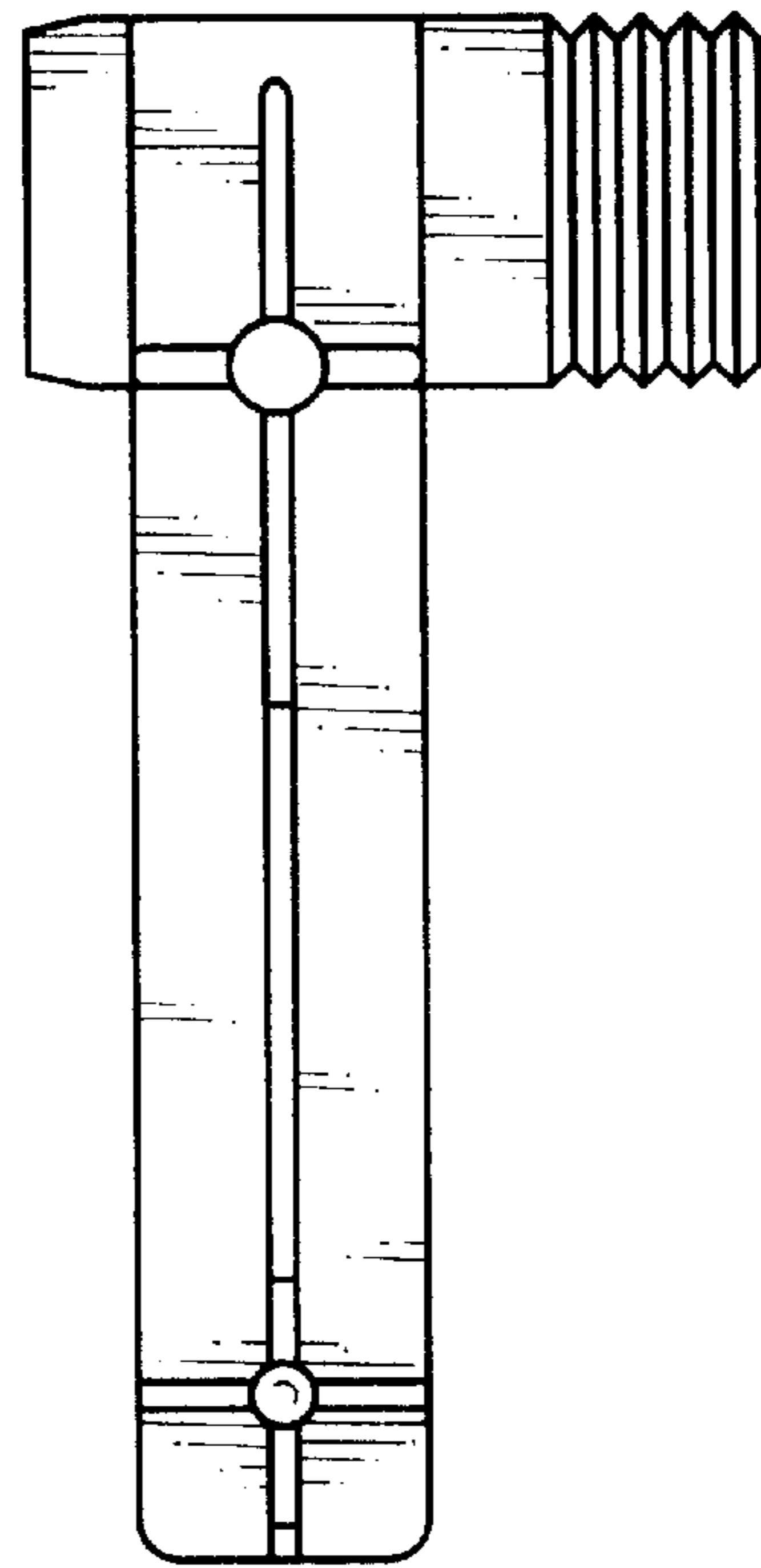


FIG. 7

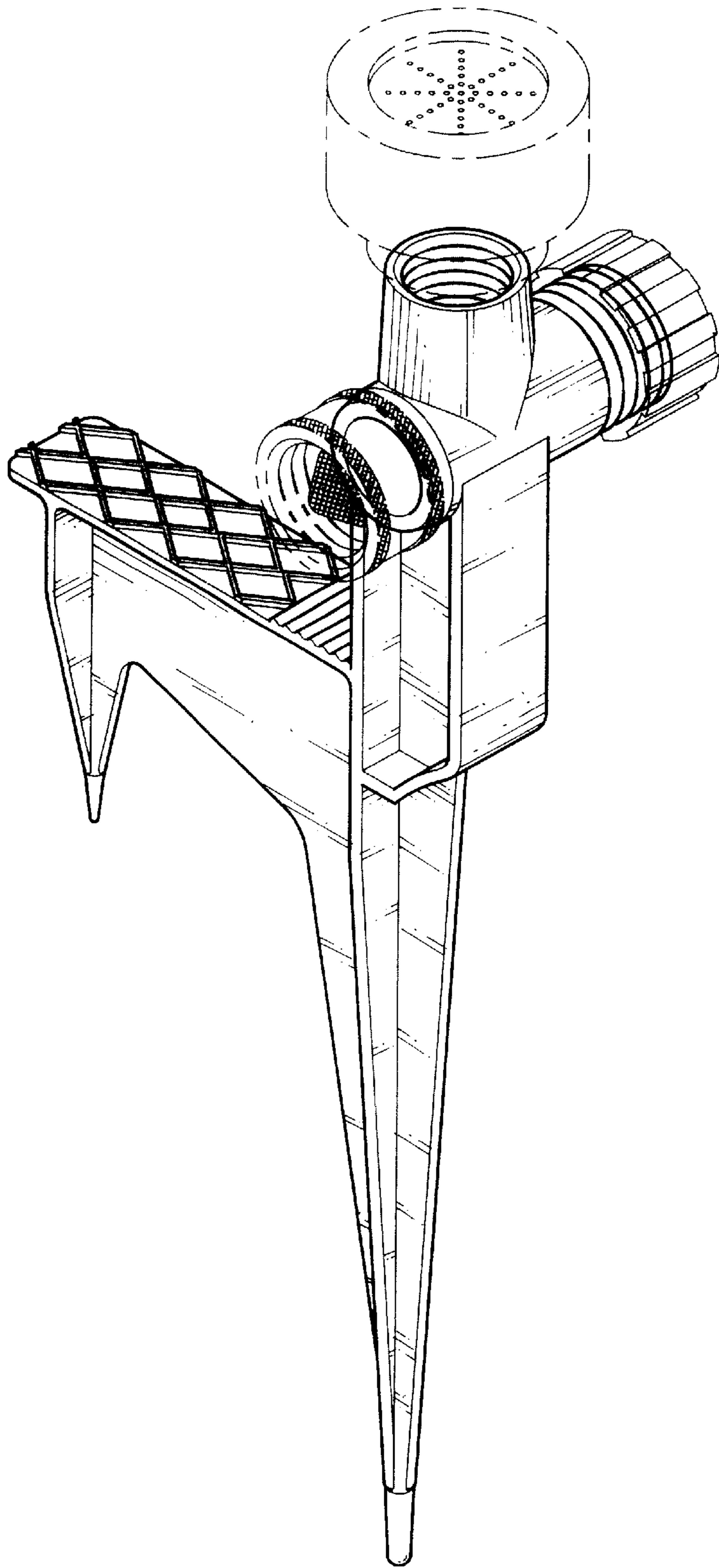


FIG. 8