



US00D481442S

(12) **United States Design Patent**
Liu

(10) **Patent No.:** **US D481,442 S**

(45) **Date of Patent:** **** Oct. 28, 2003**

(54) **FILTRATION BUCKET**

D377,825 S * 2/1997 Booth et al. D23/209

(76) Inventor: **Hsin-Fa Liu**, P.O. Box No. 6-57,
Chung-Ho, Taipei 235 (TW)

* cited by examiner

Primary Examiner—Robin V. Taylor

(**) Term: **14 Years**

(57) **CLAIM**

(21) Appl. No.: **29/173,418**

The ornamental design for a filtration bucket, as shown and described.

(22) Filed: **Dec. 30, 2002**

(51) **LOC (7) Cl.** **23-01**

DESCRIPTION

(52) **U.S. Cl.** **D23/209**

FIG. 1 is a perspective view thereof;

(58) **Field of Search** D23/207, 209;

FIG. 2 is a front view thereof;

210/244, 473, 474, 477

FIG. 3 is a back view thereof;

FIG. 4 is a right side view thereof;

(56) **References Cited**

FIG. 5 is a left side view thereof;

U.S. PATENT DOCUMENTS

FIG. 6 is a top view thereof; and,

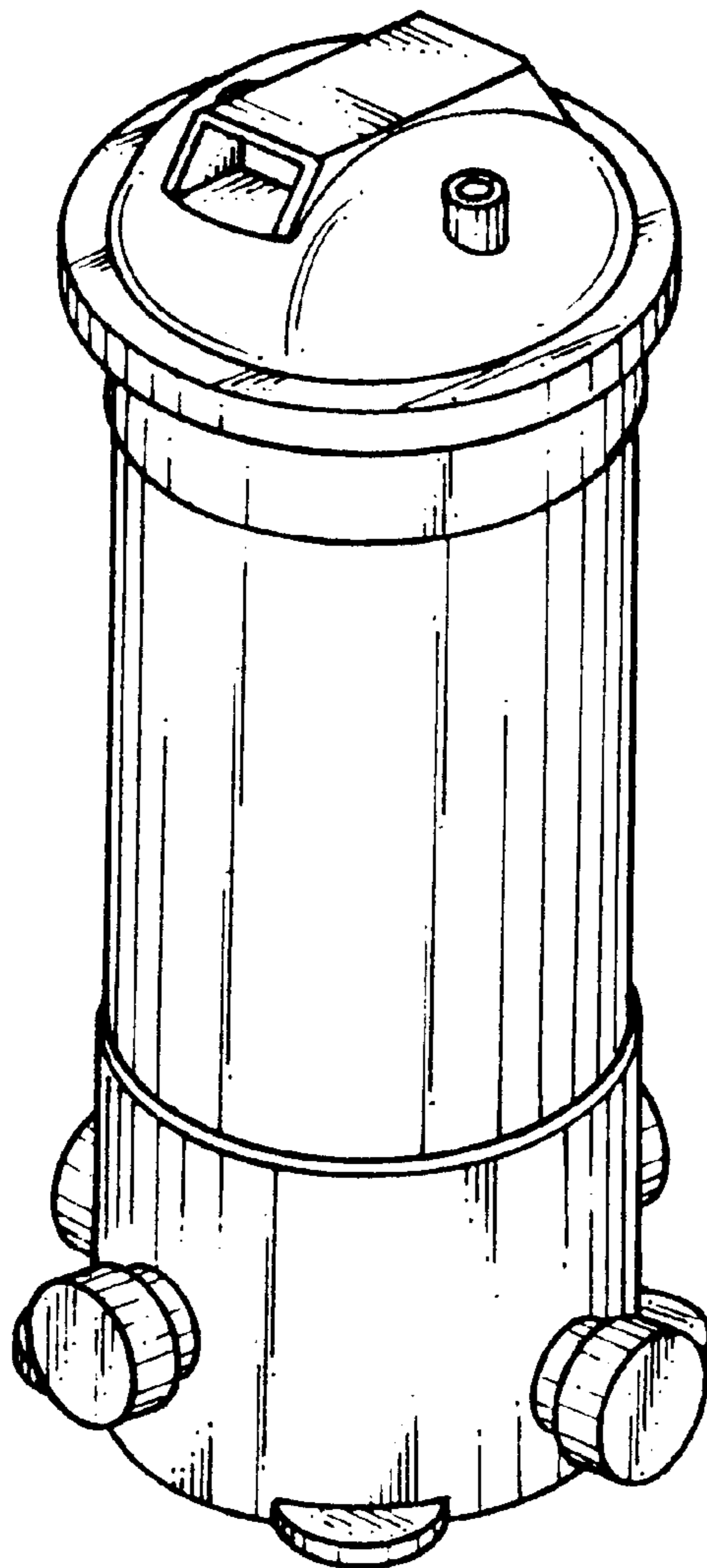
D273,697 S * 5/1984 Johnson et al. D23/207

FIG. 7 is a bottom view thereof.

4,915,831 A * 4/1990 Taylor 210/232

5,486,288 A * 1/1996 Stanford et al. 210/235

1 Claim, 6 Drawing Sheets



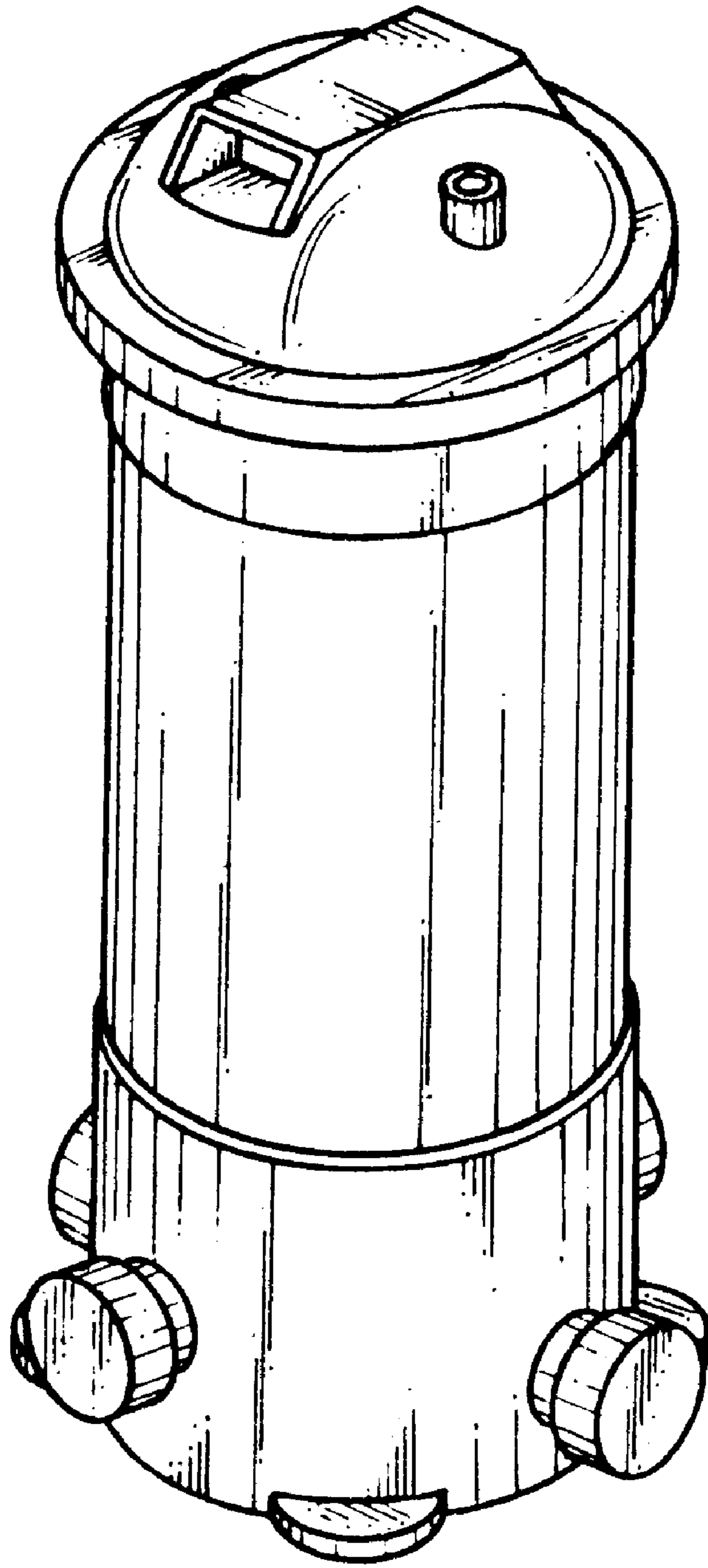


FIG. 1

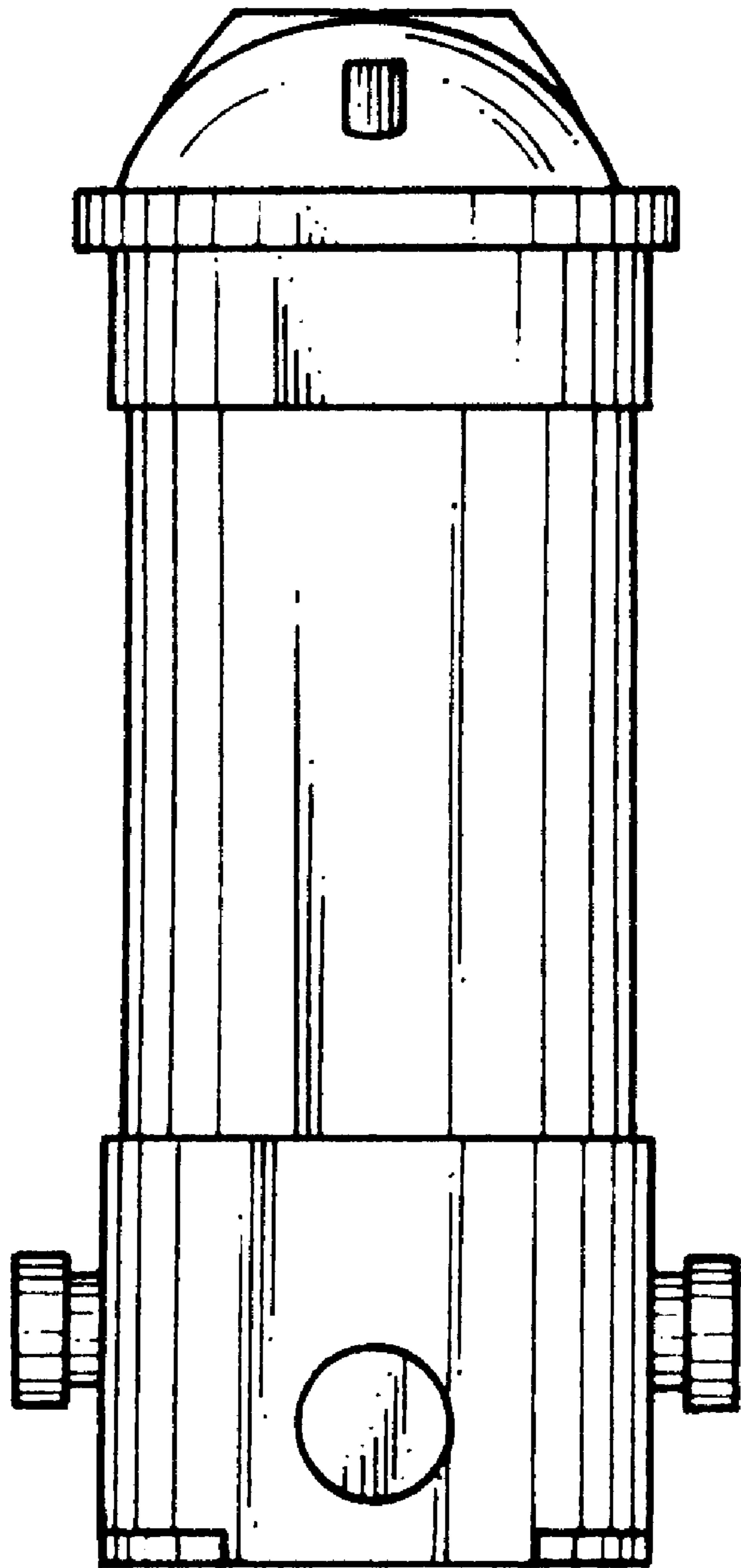


FIG. 2

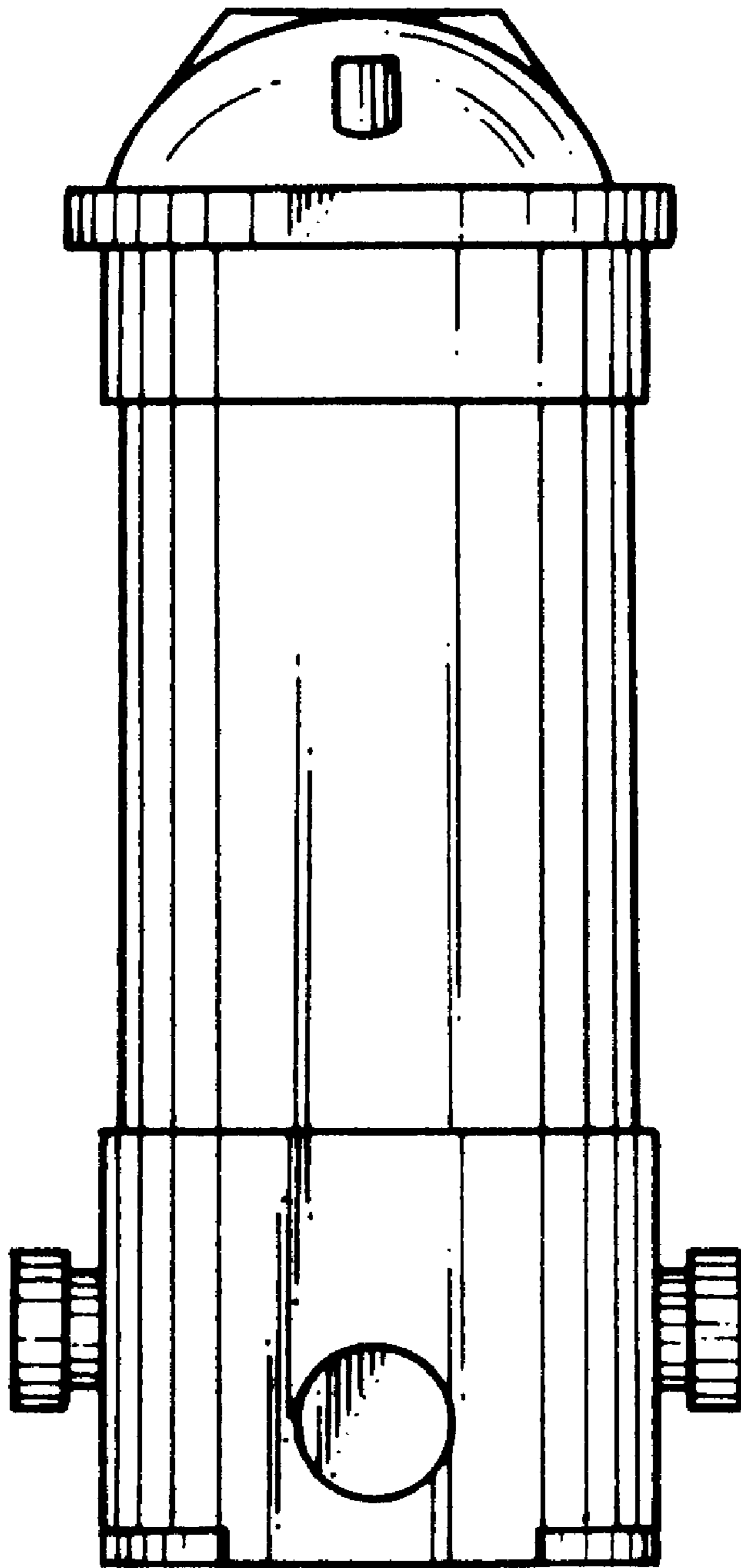


FIG. 3

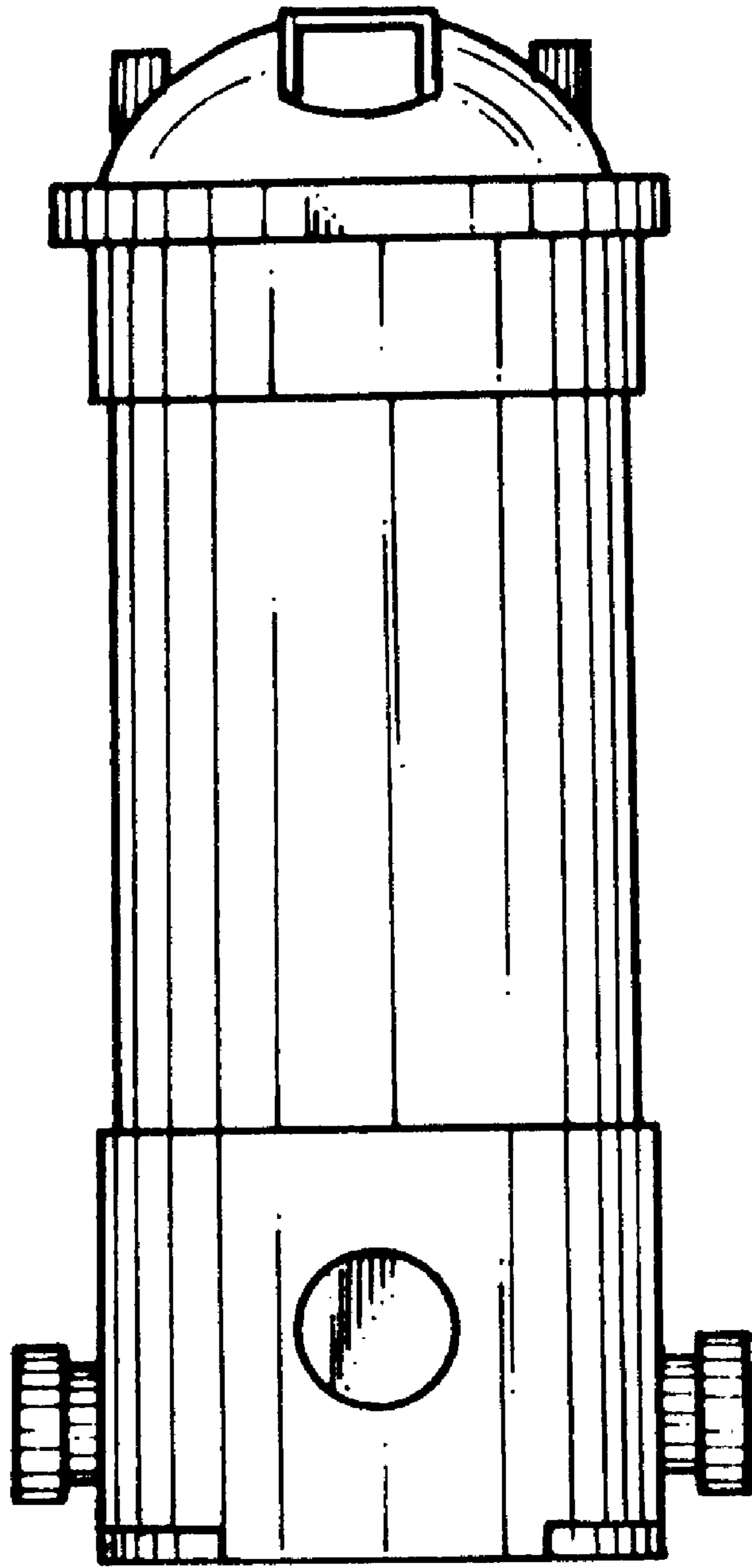


FIG.4

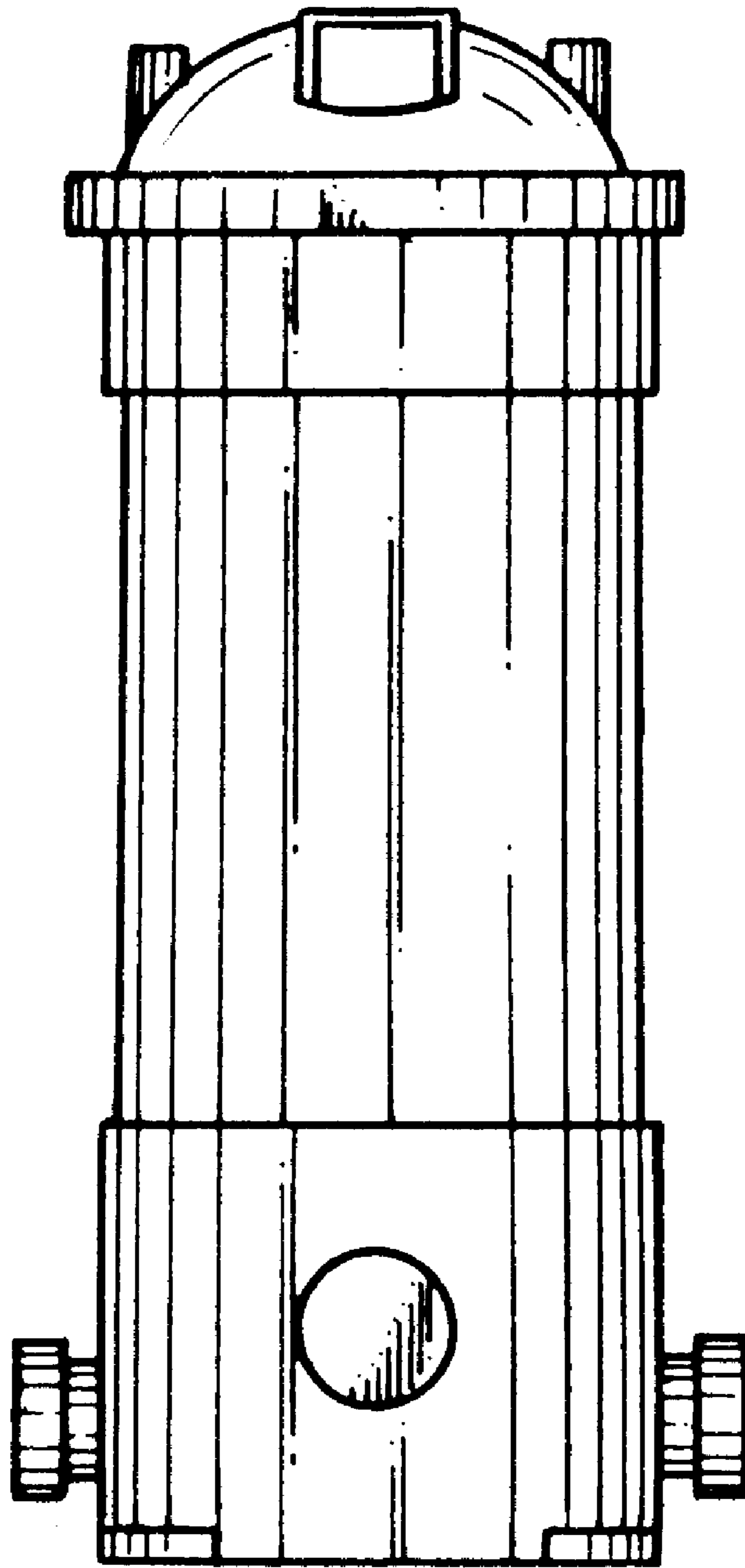


FIG. 5

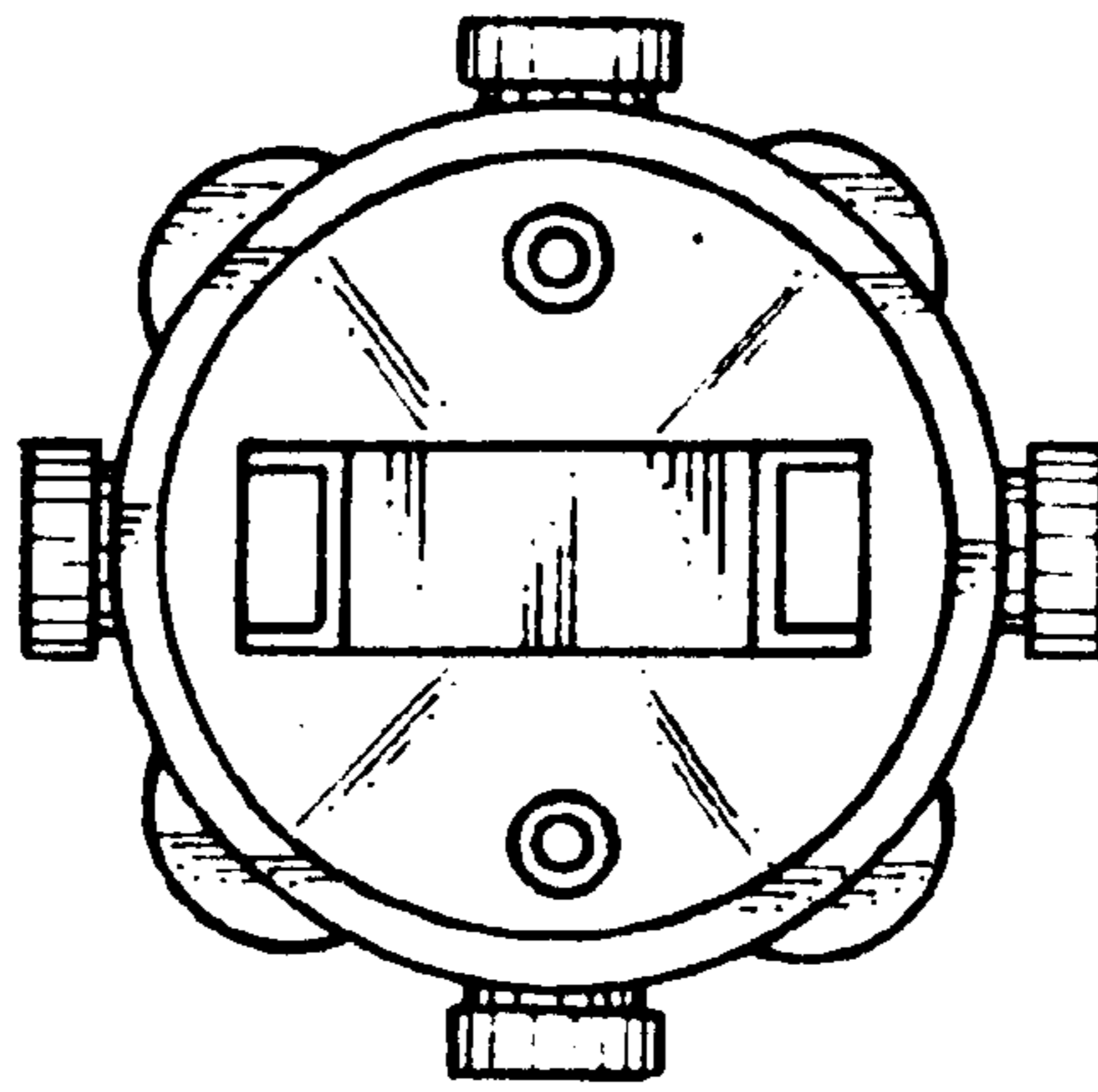


FIG. 6

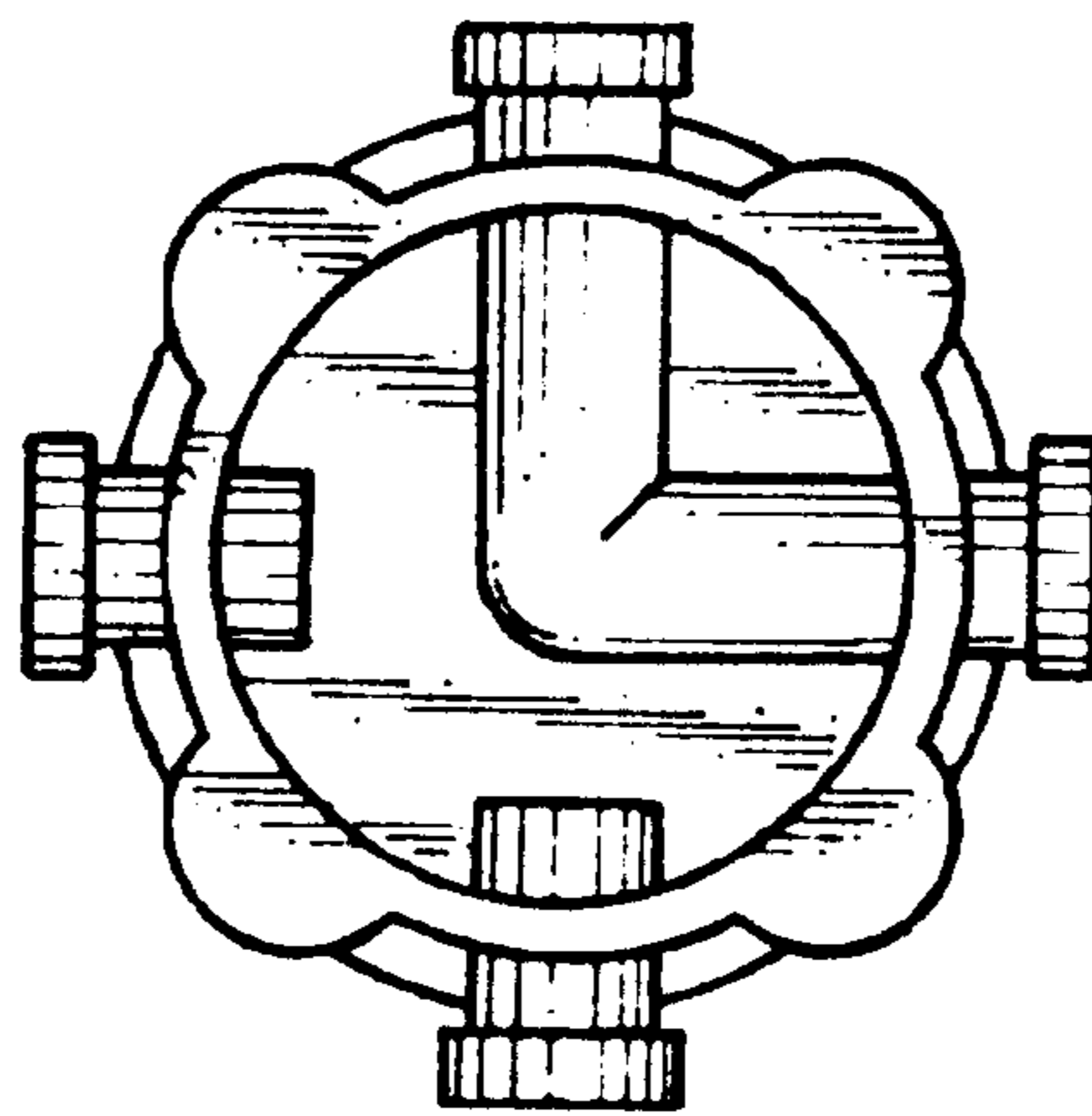


FIG. 7