



US00D481440S

(12) **United States Design Patent**
Bernarducci

(10) **Patent No.:** **US D481,440 S**

(45) **Date of Patent:** **** Oct. 28, 2003**

(54) **DISPENSING DEVICE**

(75) Inventor: **Ernest Bernarducci**, Rutherford, NJ
(US)
(73) Assignee: **WD-40 Company**, San Diego, CA (US)
(**) Term: **14 Years**

(21) Appl. No.: **29/180,064**
(22) Filed: **Apr. 18, 2003**

(51) **LOC (7) Cl.** **23-01**
(52) **U.S. Cl.** **D23/208**
(58) **Field of Search** **D23/207, 208;**
4/230, 231, 223, 222

(56) **References Cited**

U.S. PATENT DOCUMENTS

4,168,551	A	*	9/1979	Hautmann et al.	4/231
RE32,017	E		11/1985	Hautmann et al.	
4,555,819	A		12/1985	Weiss et al.	
4,615,054	A	*	10/1986	Buecheler et al.	4/231
D419,347	S		1/2000	Leonard	
6,178,564	B1		1/2001	Leonard et al.	
6,311,340	B1		11/2001	Thompson	
6,389,610	B1		5/2002	Hautmann et al.	
D464,107	S	*	10/2002	Holmes et al.	D23/208
D466,583	S	*	12/2002	Heijdenrijk	D23/208
D476,056	S	*	6/2003	Woolley et al.	D23/208
D476,057	S	*	6/2003	Nguyen et al.	D23/208
2002/0083514	A1		7/2002	Lhoste	
2002/0148036	A1		10/2002	Wilson et al.	

FOREIGN PATENT DOCUMENTS

WO WO 01/02653 A1 1/2001

* cited by examiner

Primary Examiner—Brian N. Vinson

(74) *Attorney, Agent, or Firm*—Bazerman & Drangel PC

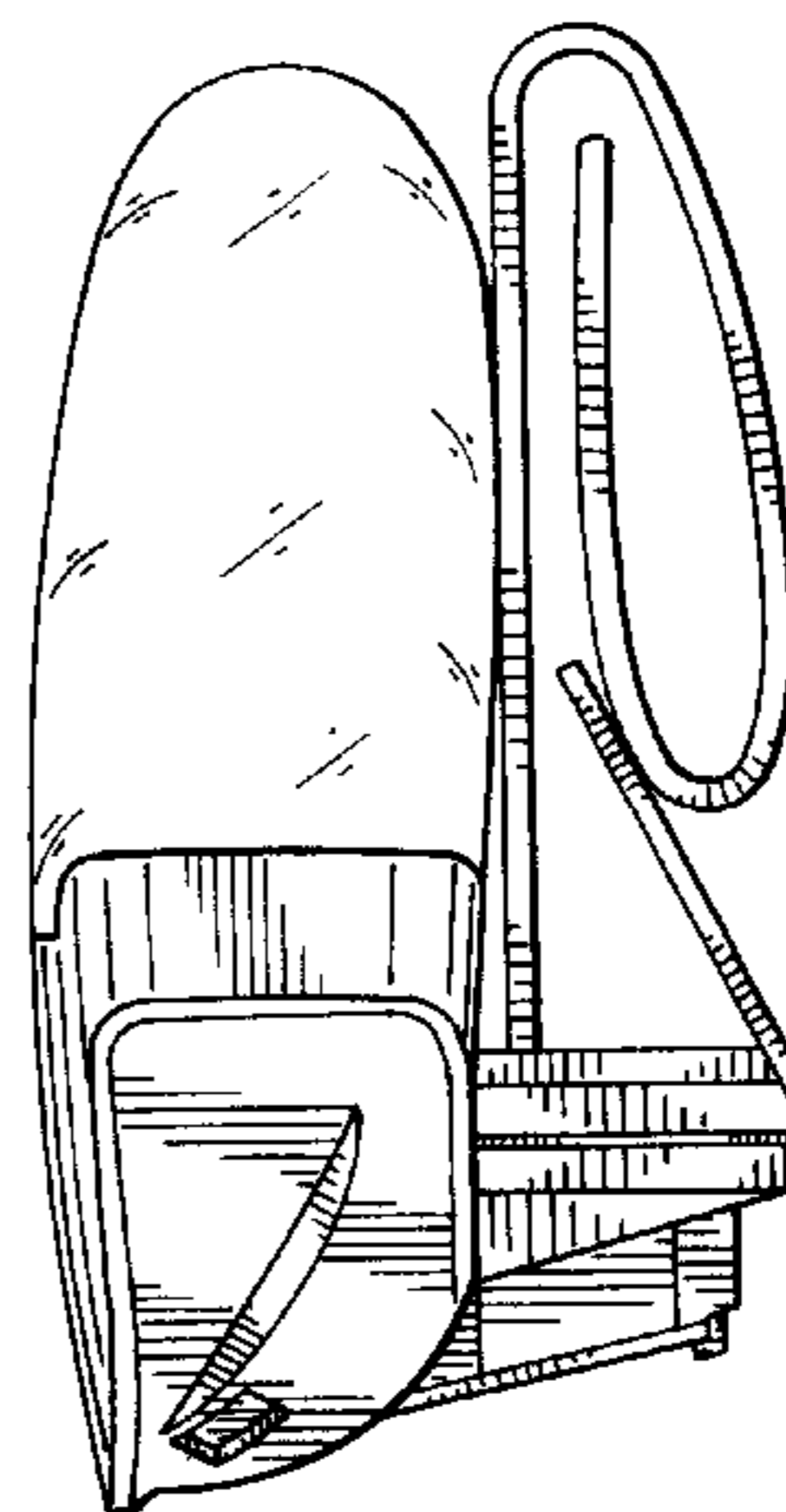
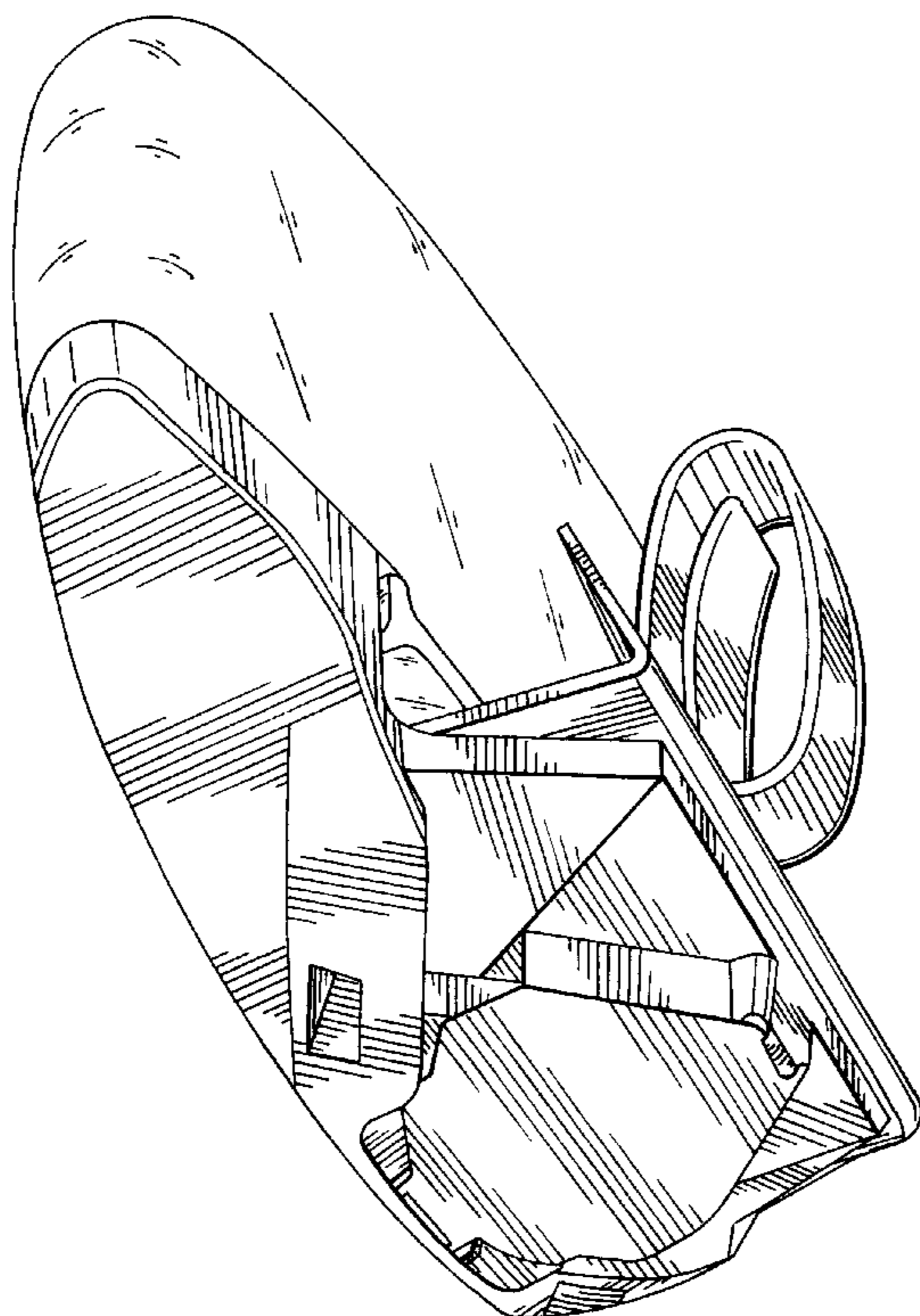
(57) **CLAIM**

The ornamental design for dispensing device, as shown and described.

DESCRIPTION

FIG. 1 is a perspective view of the dispensing device; FIG. 2 is a top view of the embodiment described in FIG. 1; FIG. 3 is a rear view of the embodiment described in FIG. 1; FIG. 4 is a bottom view of the embodiment described in FIG. 1; FIG. 5 is a front view of the embodiment described in FIG. 1; FIG. 6 is a right end view of the embodiment described in FIG. 1; FIG. 7 is a left end view of the embodiment described in FIG. 1; and, FIG. 8 is a left end view of the embodiment described in FIG. 1 with the suspension hook in an open position around a toilet bowl rim. The broken line showing of environmental structure in FIG. 8 is for illustrative purposes only and forms no part of the claimed design.

1 Claim, 5 Drawing Sheets



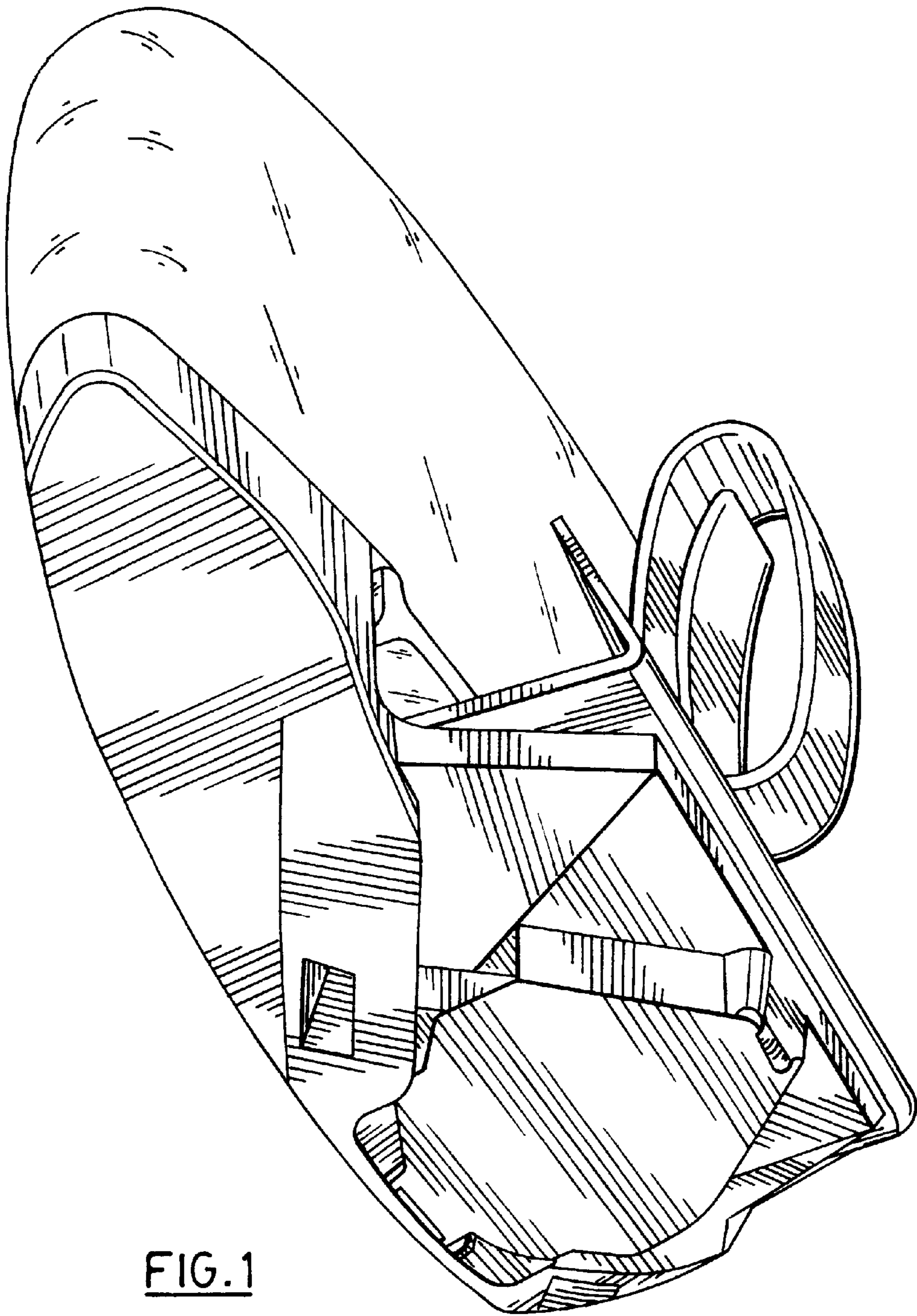


FIG. 1

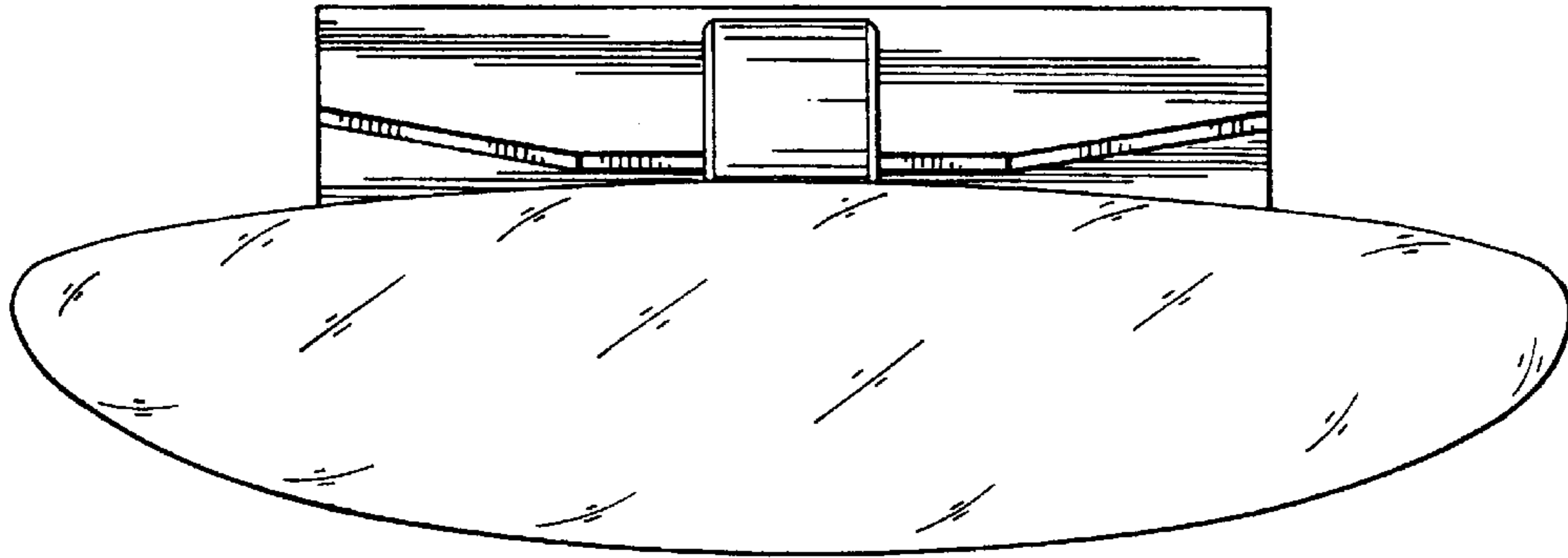


FIG. 2

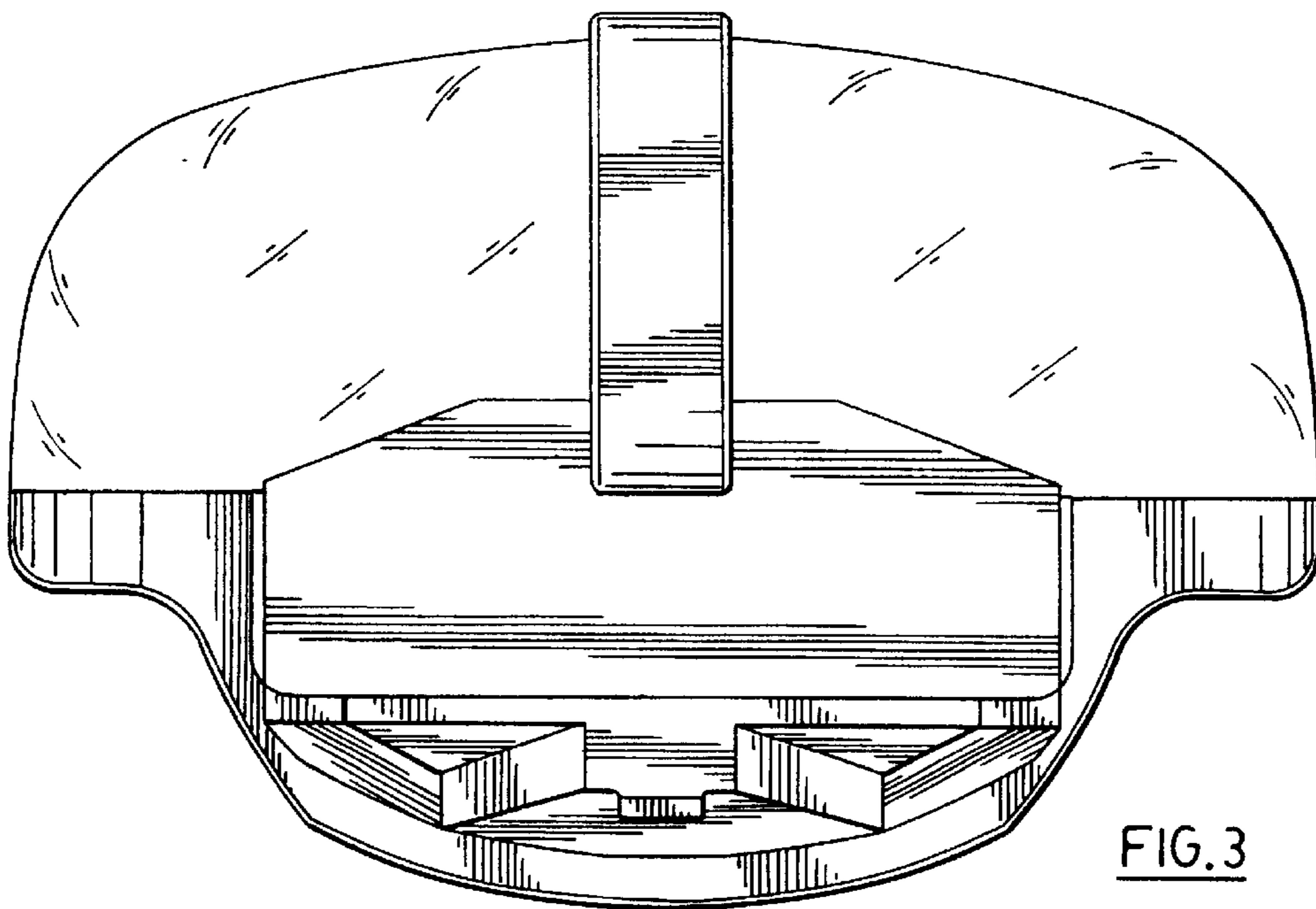


FIG. 3

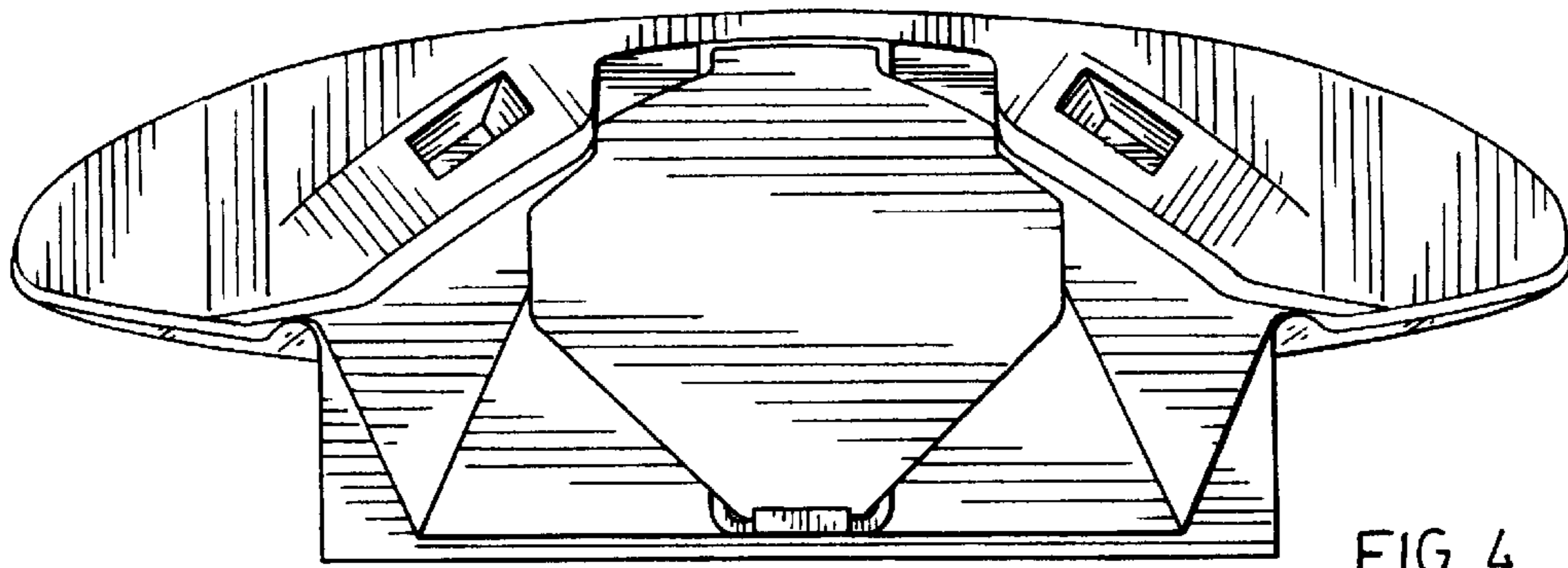


FIG. 4

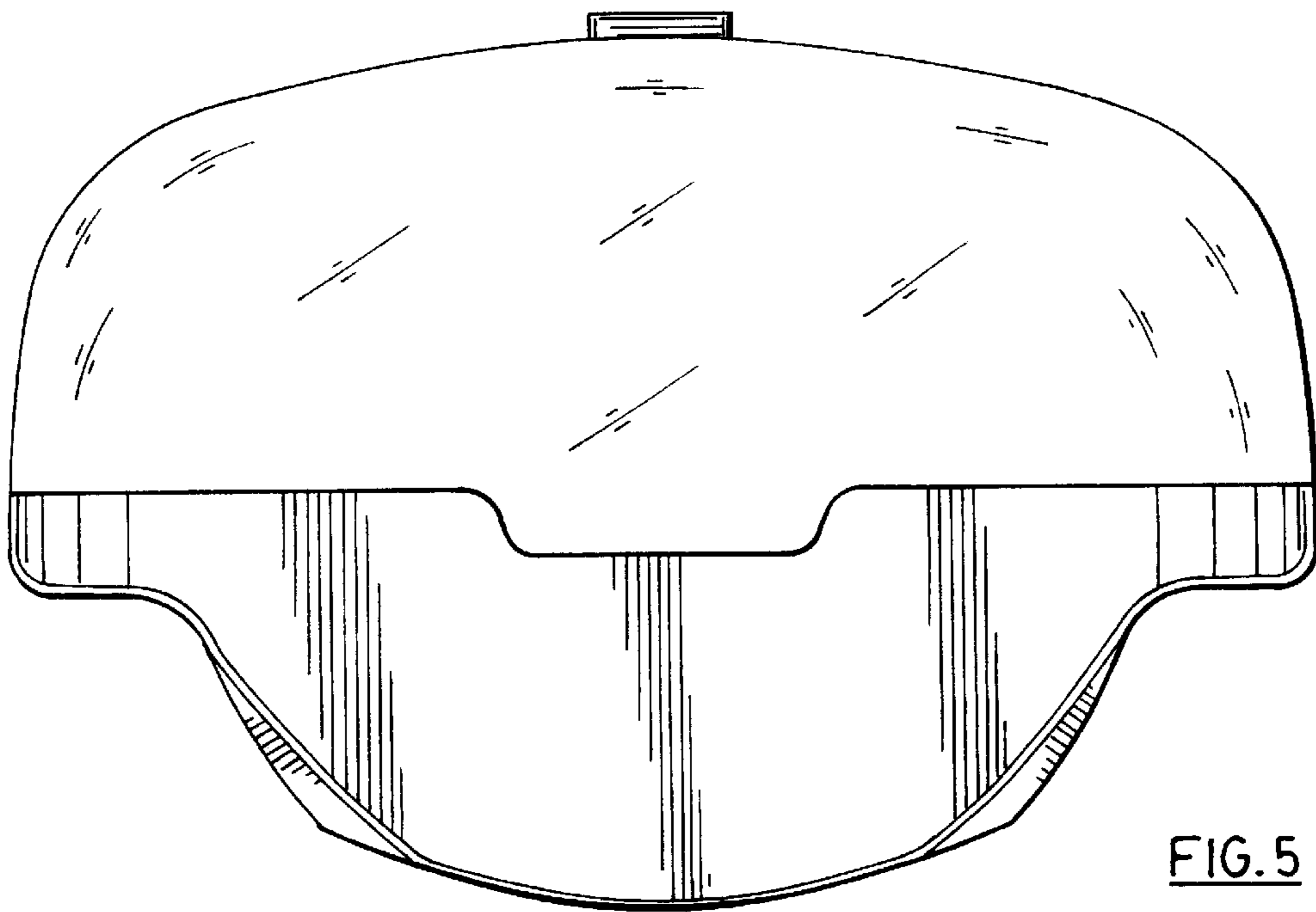


FIG. 5

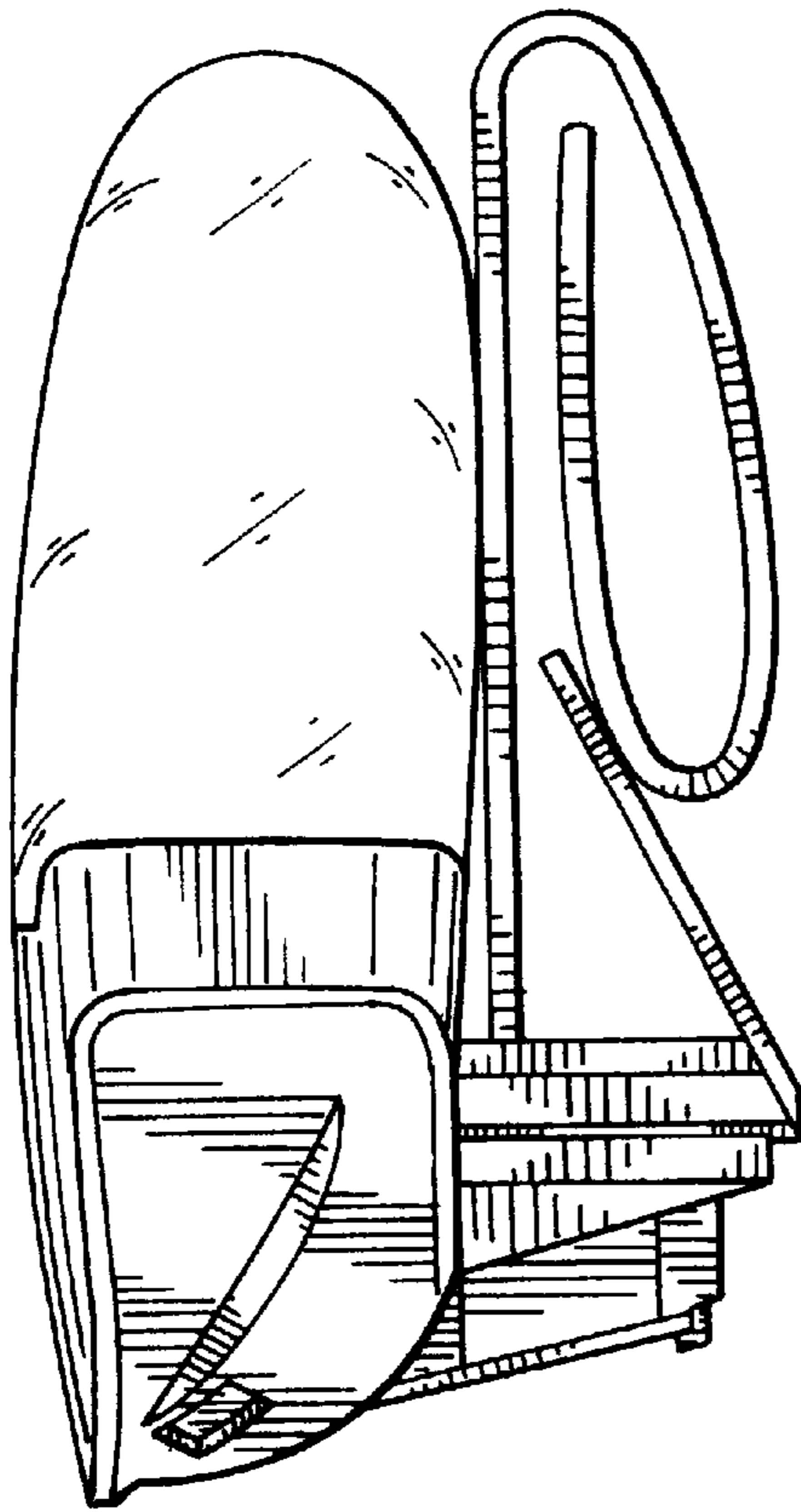


FIG. 6

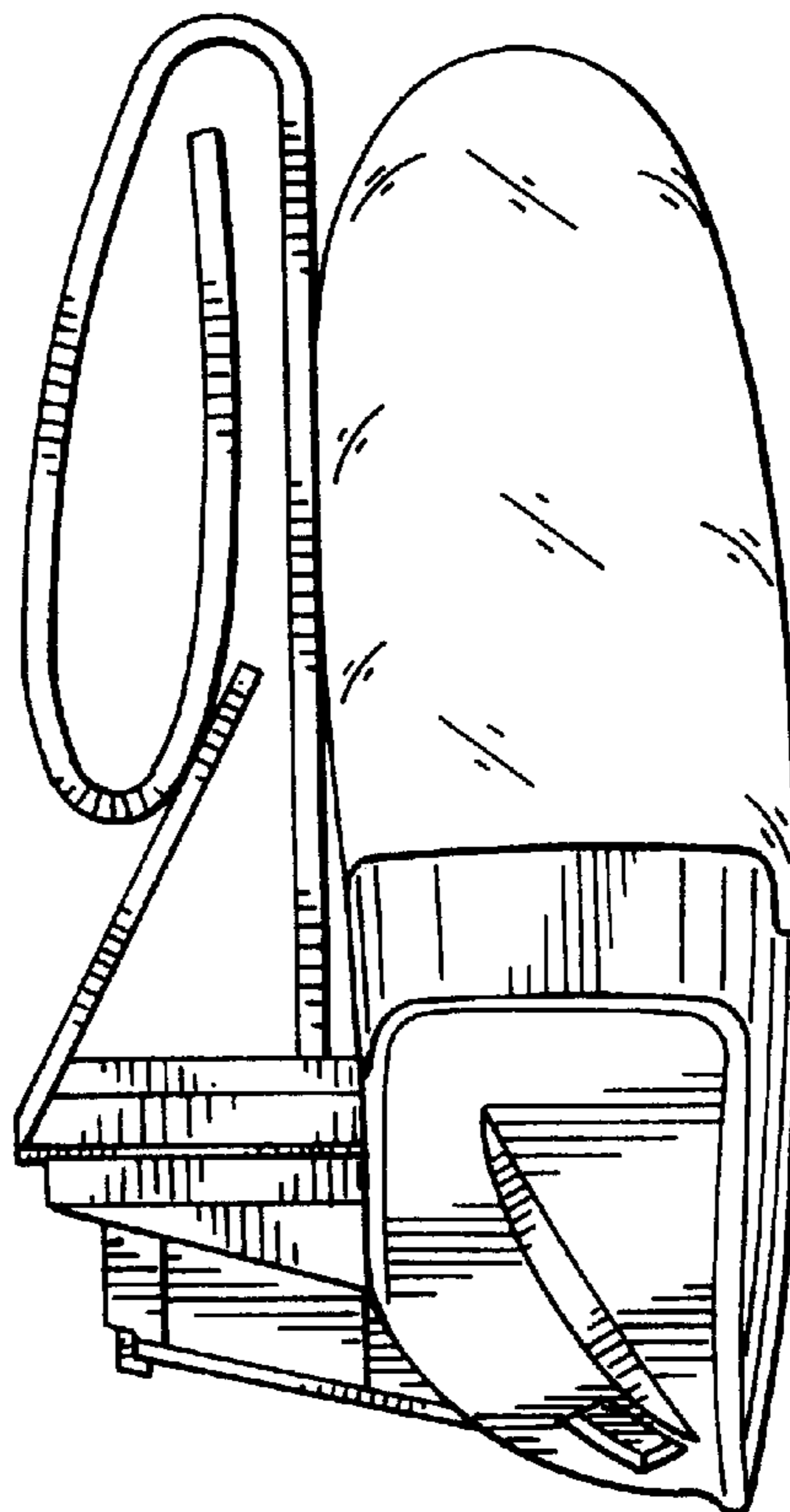


FIG. 7

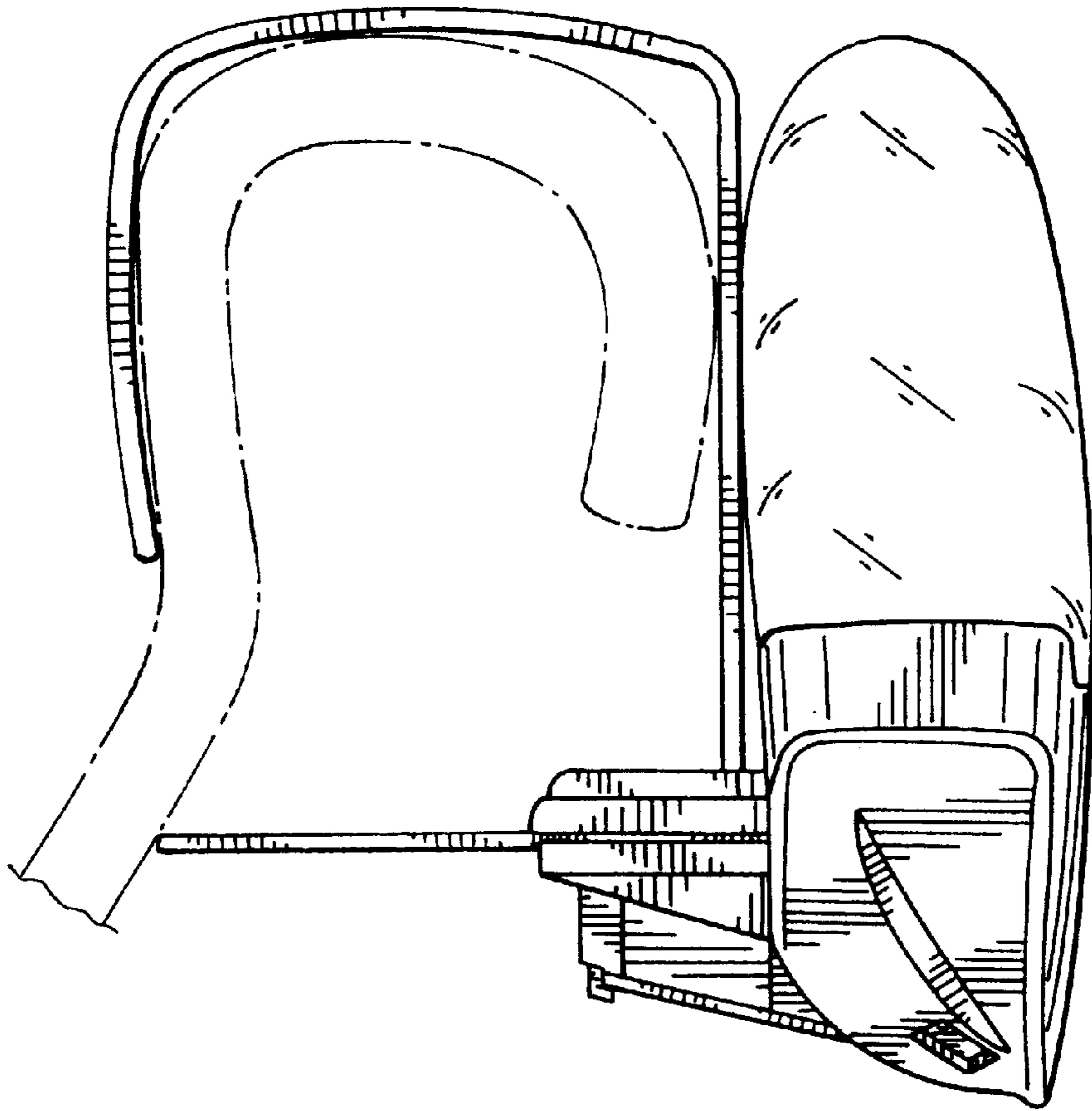


FIG. 8