



US00D481435S

(12) **United States Design Patent**
Zheng

(10) **Patent No.:** **US D481,435 S**

(45) **Date of Patent:** **** Oct. 28, 2003**

(54) **FLOATING LOUNGER**

(75) Inventor: **Yu Zheng**, Walnut, CA (US)
(73) Assignee: **Patent Category Corp.**, Walnut, CA (US)
(**) Term: **14 Years**

(21) Appl. No.: **29/171,146**
(22) Filed: **Nov. 18, 2002**

(51) **LOC (7) Cl.** **12-06**
(52) **U.S. Cl.** **D21/809; D21/803**
(58) **Field of Search** **D12/316; D21/803, D21/801, 809, 808, 810, 769, 770; 441/129-132, 35, 66, 67, 79, 88, 40-43; 297/452.41; 114/345, 346; D6/604, 336, 335**

(56) **References Cited**

U.S. PATENT DOCUMENTS

3,653,084	A	*	4/1972	Hartman	441/40
D226,504	S	*	3/1973	Norton	D12/316
3,781,933	A	*	1/1974	Soter	441/40
D293,012	S	*	12/1987	Storey et al.	D21/809
D299,941	S	*	2/1989	Chang	D12/306
4,905,332	A	*	3/1990	Wang	5/655.3
D308,403	S	*	6/1990	LaForce, Jr.	D21/809
5,476,404	A	*	12/1995	Price	441/131

OTHER PUBLICATIONS

Hong Kong Toys, vol. 1, 1995, p. 47, "Surf Breaker" inflatable raft.*
Hammacher Schlemmer Catalog, Mid-Summer, 1995, p. 65, "Polyfoam Floating Lounger".*

* cited by examiner

Primary Examiner—Lucy Lieberman
(74) *Attorney, Agent, or Firm*—Raymond Sun

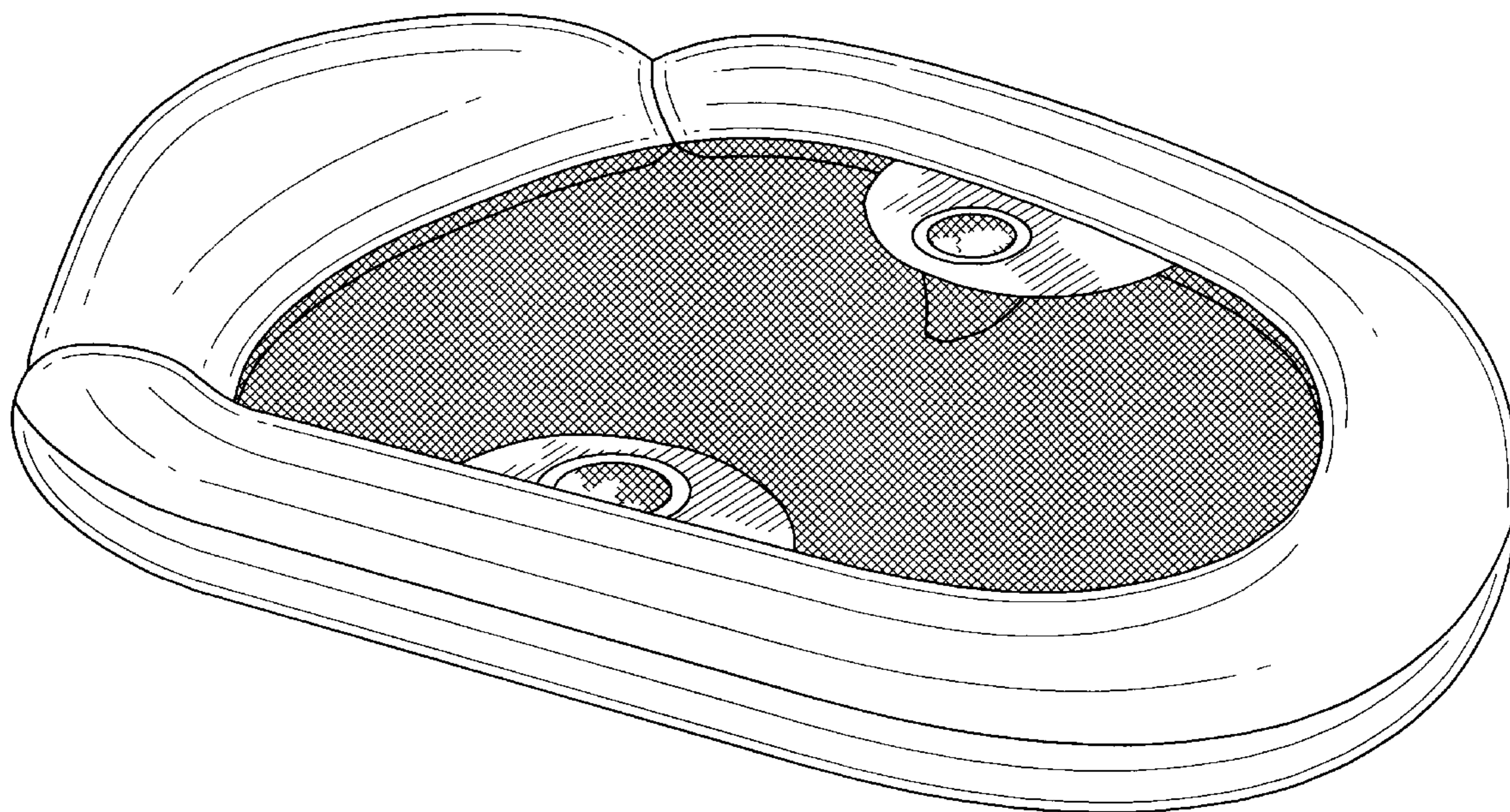
(57) **CLAIM**

The ornamental design for a floating lounger, as shown and described.

DESCRIPTION

FIG. 1 is a perspective view of my floating lounger; FIG. 2 is a top plan view of the floating lounger of FIG. 1; FIG. 3 is a bottom plan view of the floating lounger of FIG. 1; FIG. 4 is a right side elevational view of the floating lounger of FIG. 1, the left side elevational view being symmetrical; FIG. 5 is a rear elevational view of the floating lounger of FIG. 1; and, FIG. 6 is a front elevational view of the floating lounger of FIG. 1.

1 Claim, 4 Drawing Sheets



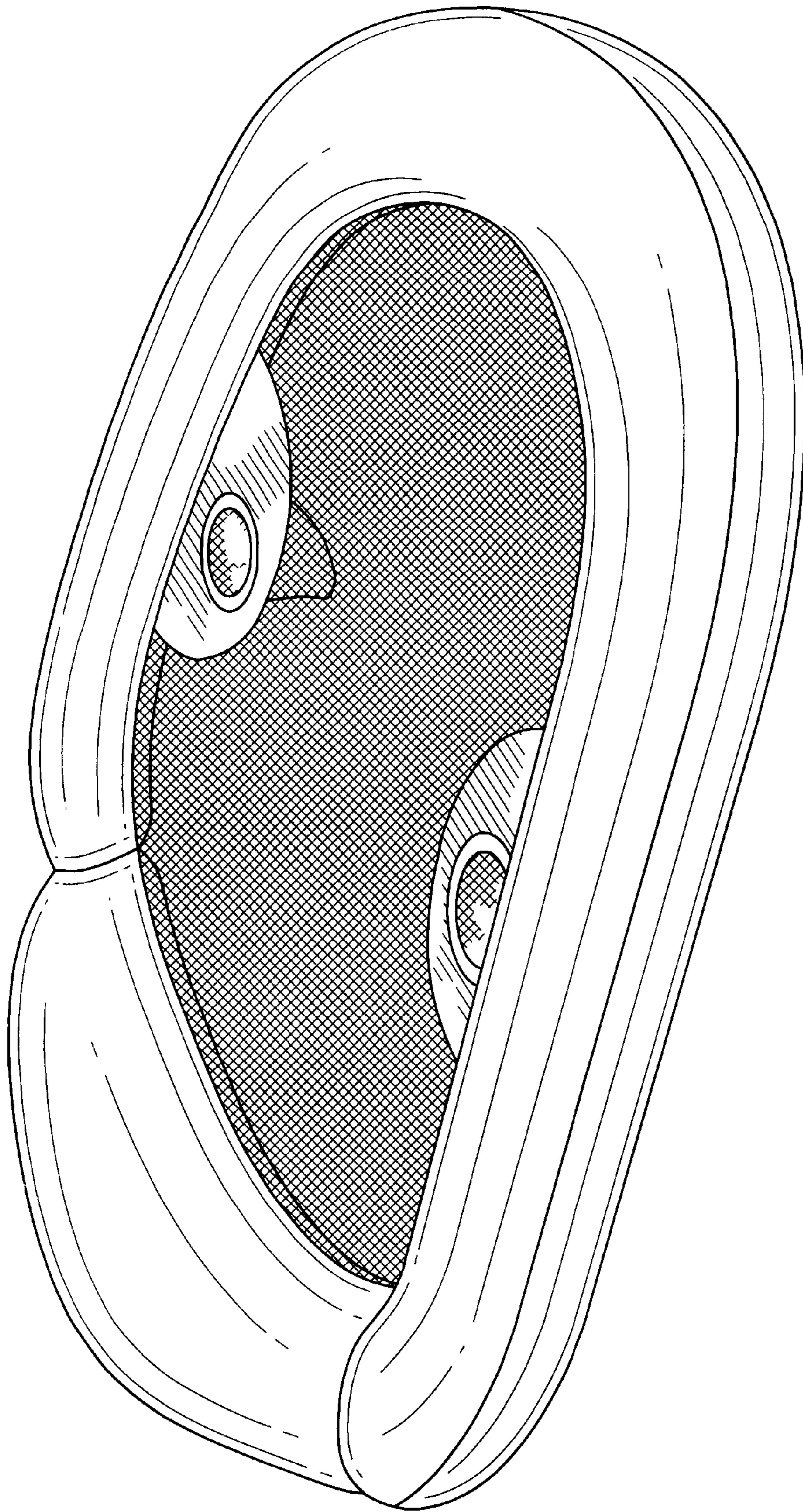


FIG.1

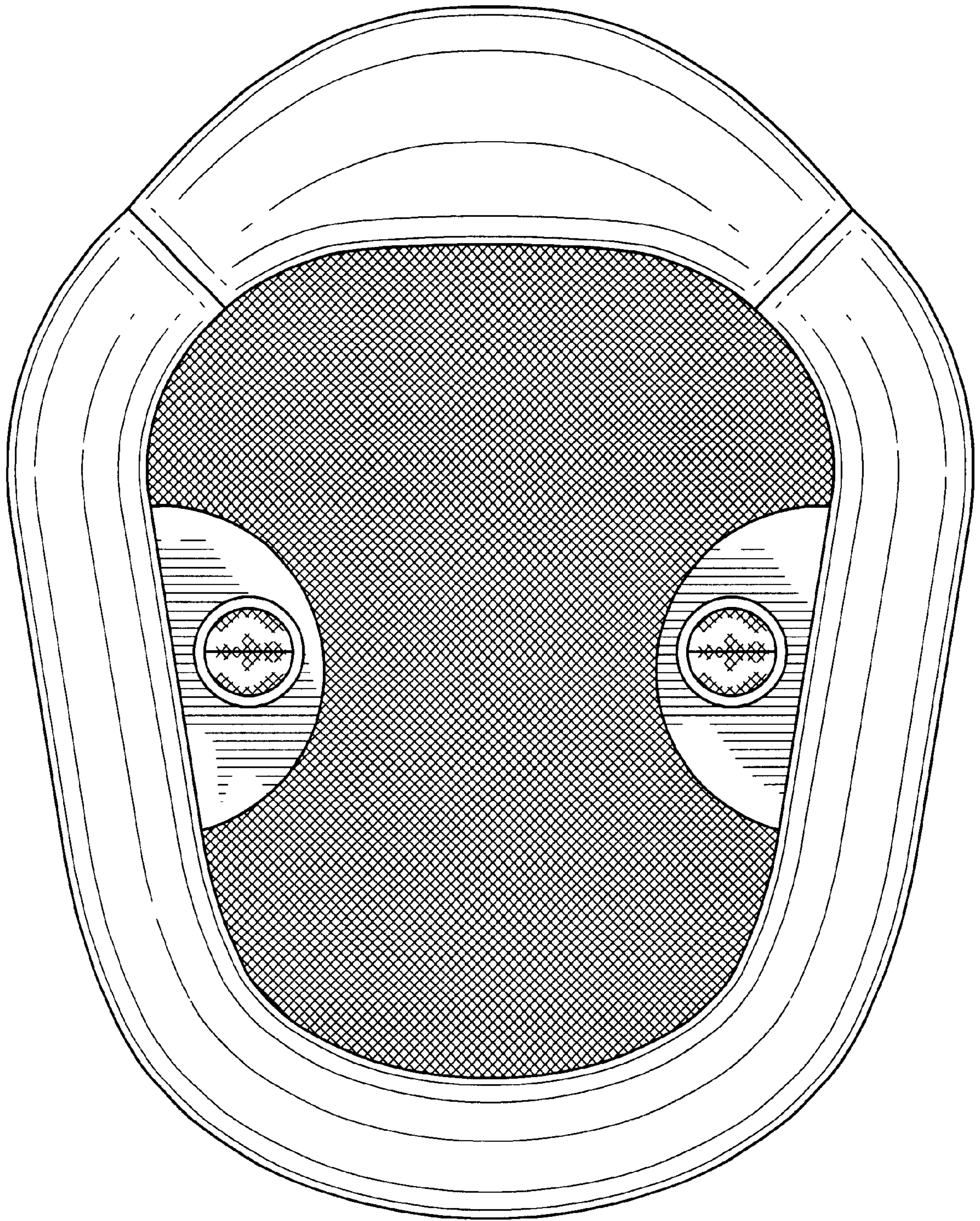


FIG. 2

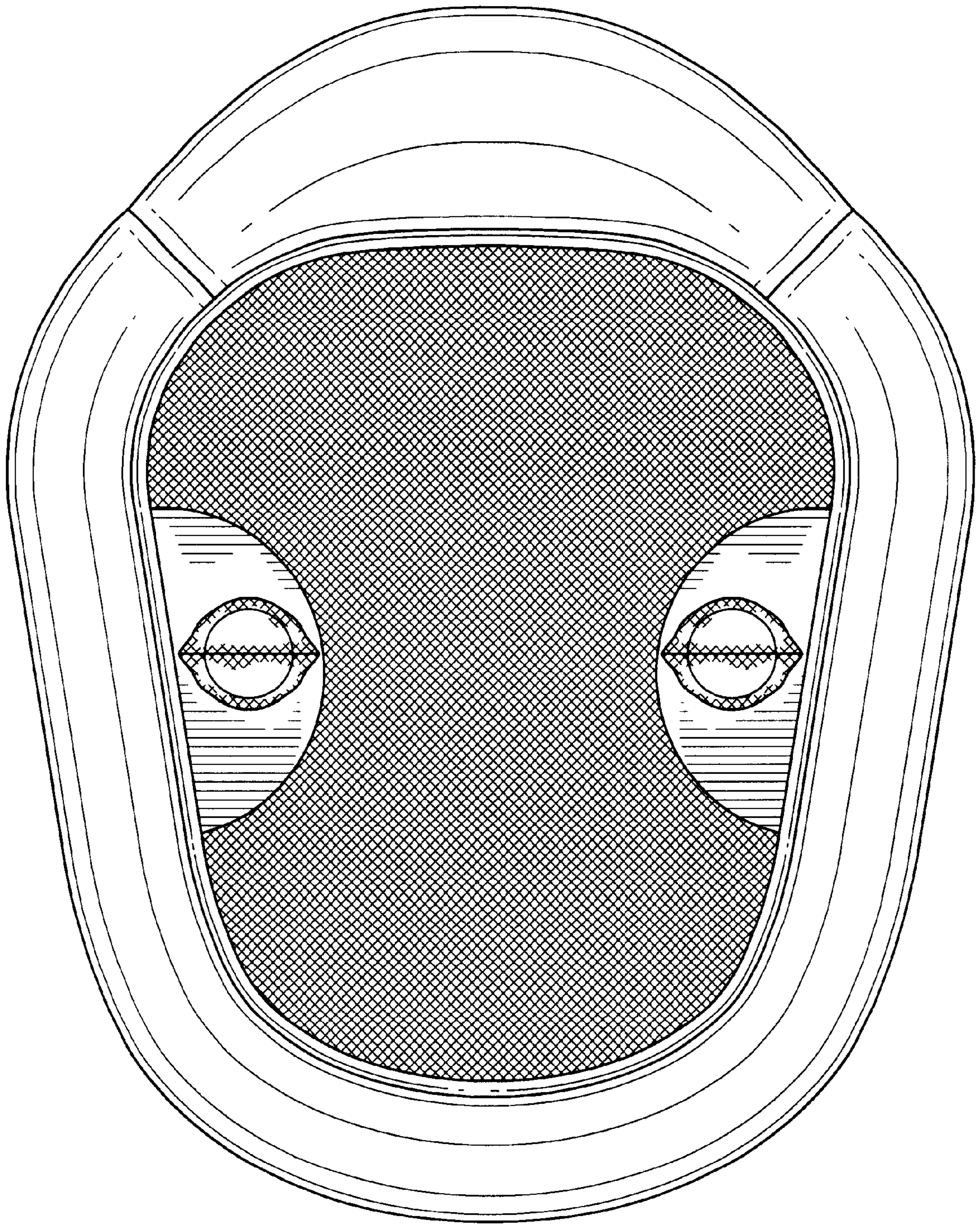


FIG.3

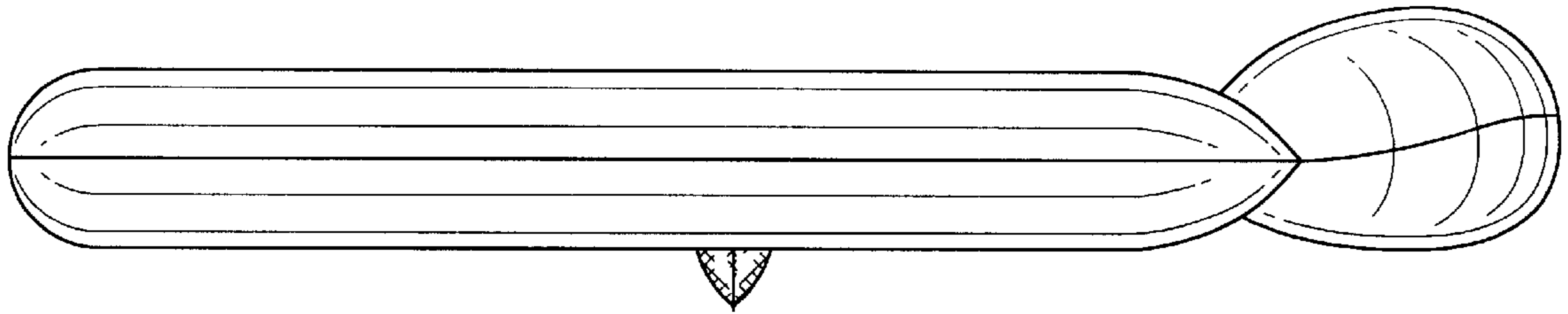


FIG. 4

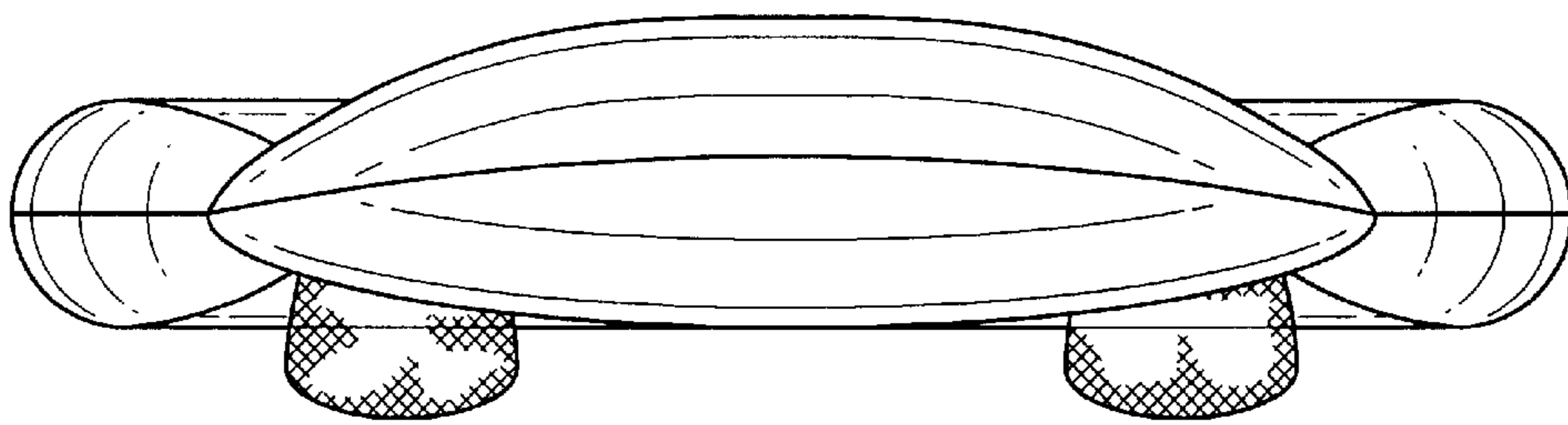


FIG. 5

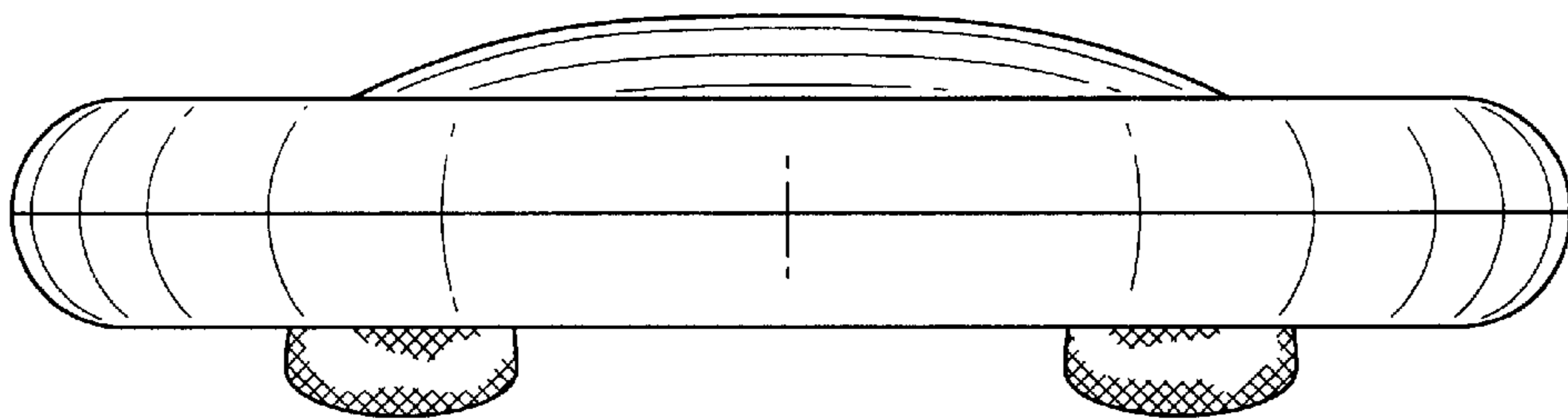


FIG. 6