



US00D481432S

(12) **United States Design Patent**
Greene

(10) **Patent No.:** **US D481,432 S**

(45) **Date of Patent:** **** Oct. 28, 2003**

(54) **RIBBED BACK GOLF CLUB HEAD**

(76) **Inventor:** **Thomas M. Greene**, 6 Silver St.,
Monson, MA (US) 01057

(**) **Term:** **14 Years**

(21) **Appl. No.:** **29/168,862**

(22) **Filed:** **Oct. 10, 2002**

(51) **LOC (7) Cl.** **21-02**

(52) **U.S. Cl.** **D21/748**

(58) **Field of Search** **D21/747-751;**
473/324, 327-331, 350

5,720,673 A	2/1998	Anderson	
D392,356 S *	3/1998	Burrows	D21/748
5,735,755 A	4/1998	Kobayashi	
D398,687 S	9/1998	Miyajima et al.	
5,908,357 A	6/1999	Hsieh	
5,921,872 A	7/1999	Kobayashi	
6,193,615 B1	2/2001	Hirota	
6,200,228 B1	3/2001	Takeda	
6,203,449 B1	3/2001	Kenmi	
6,224,497 B1	5/2001	Antonious	
6,299,548 B1	10/2001	Lin	
6,322,459 B1	11/2001	Nishimura et al.	

* cited by examiner

Primary Examiner—Mitchell Siegel

(56) **References Cited**

U.S. PATENT DOCUMENTS

2,034,936 A	3/1936	Barnhart	
D267,965 S *	2/1983	Kobayashi	D21/748
4,635,941 A	1/1987	Yoneyama	
4,681,322 A	7/1987	Straza et al.	
D318,703 S *	7/1991	Shearer	D21/748
5,074,563 A *	12/1991	Gorman	473/350
5,090,702 A	2/1992	Viste	
D336,672 S *	6/1993	Gorman	D21/749
5,282,624 A	2/1994	Viste	
5,292,129 A	3/1994	Long et al.	
5,358,249 A	10/1994	Mendralla	
5,595,552 A	1/1997	Wright et al.	
5,601,501 A	2/1997	Kobayashi	
5,611,742 A	3/1997	Kobayashi	
5,665,013 A	9/1997	Kobayashi	
5,676,605 A	10/1997	Kobayashi	
5,690,561 A	11/1997	Rowland et al.	

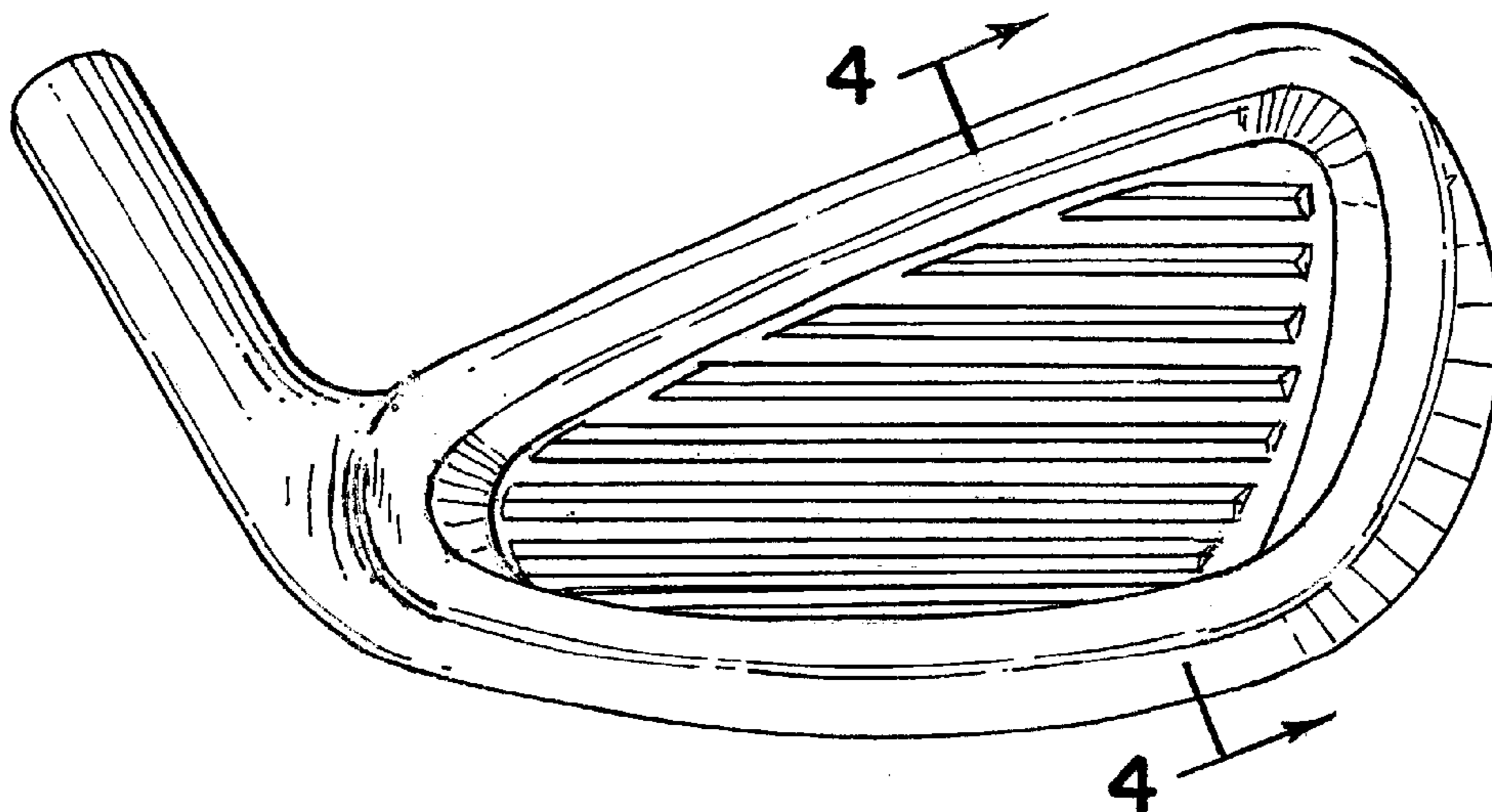
(57) **CLAIM**

The ornamental design for a ribbed back golf club head, as shown.

DESCRIPTION

FIG. 1 is a front perspective view of the invention illustrating my design;
 FIG. 2 is a front elevation view thereof;
 FIG. 3 is a rear elevation view thereof;
 FIG. 4 is a right side sectional view taken along line 4—4 of FIG. 3;
 FIG. 5 is a top elevation view thereof;
 FIG. 6 is a bottom elevation view thereof;
 FIG. 7 is a left side elevation view thereof; and,
 FIG. 8 is a right side elevation view thereof.

1 Claim, 2 Drawing Sheets



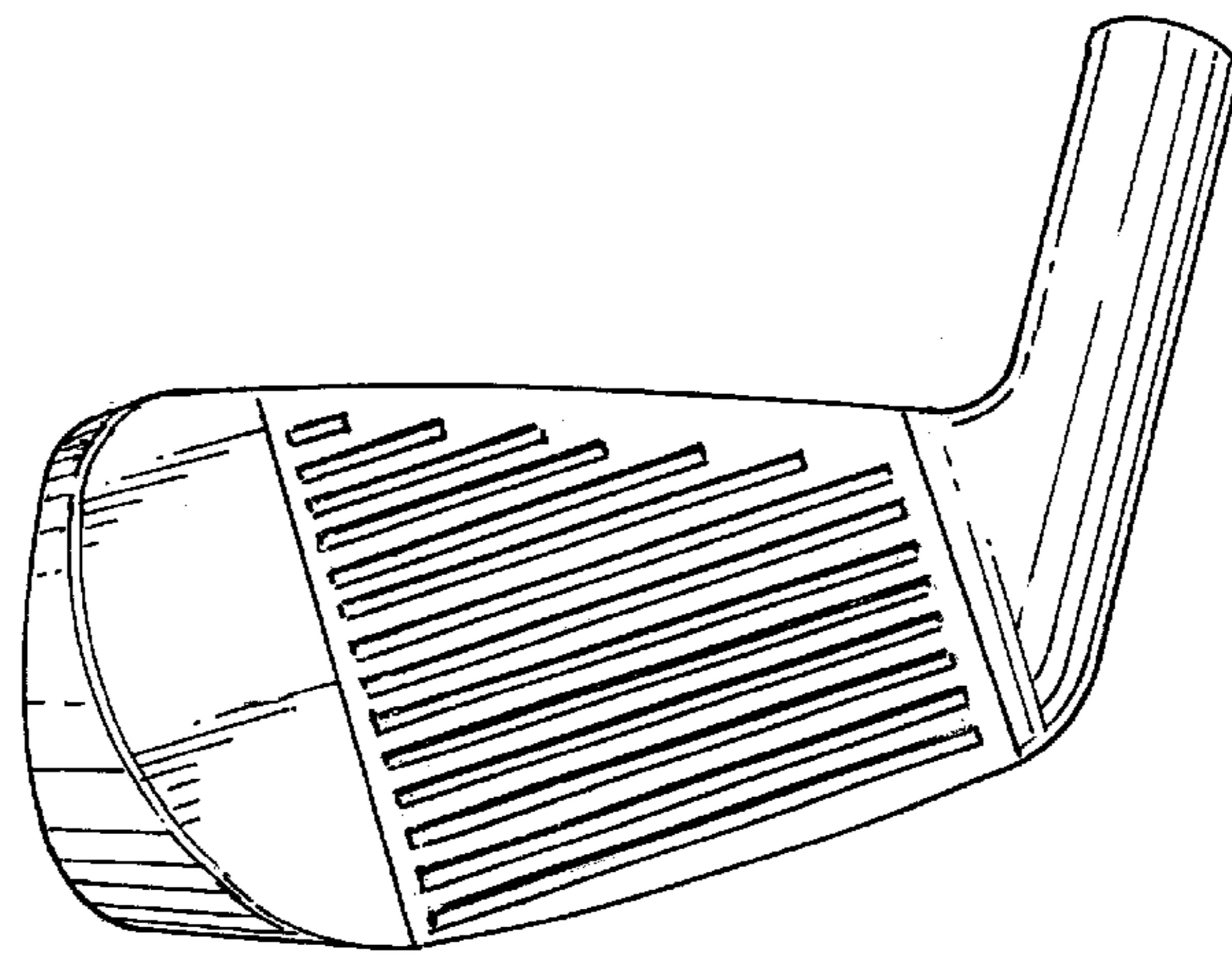


FIG. 1

FIG. 2

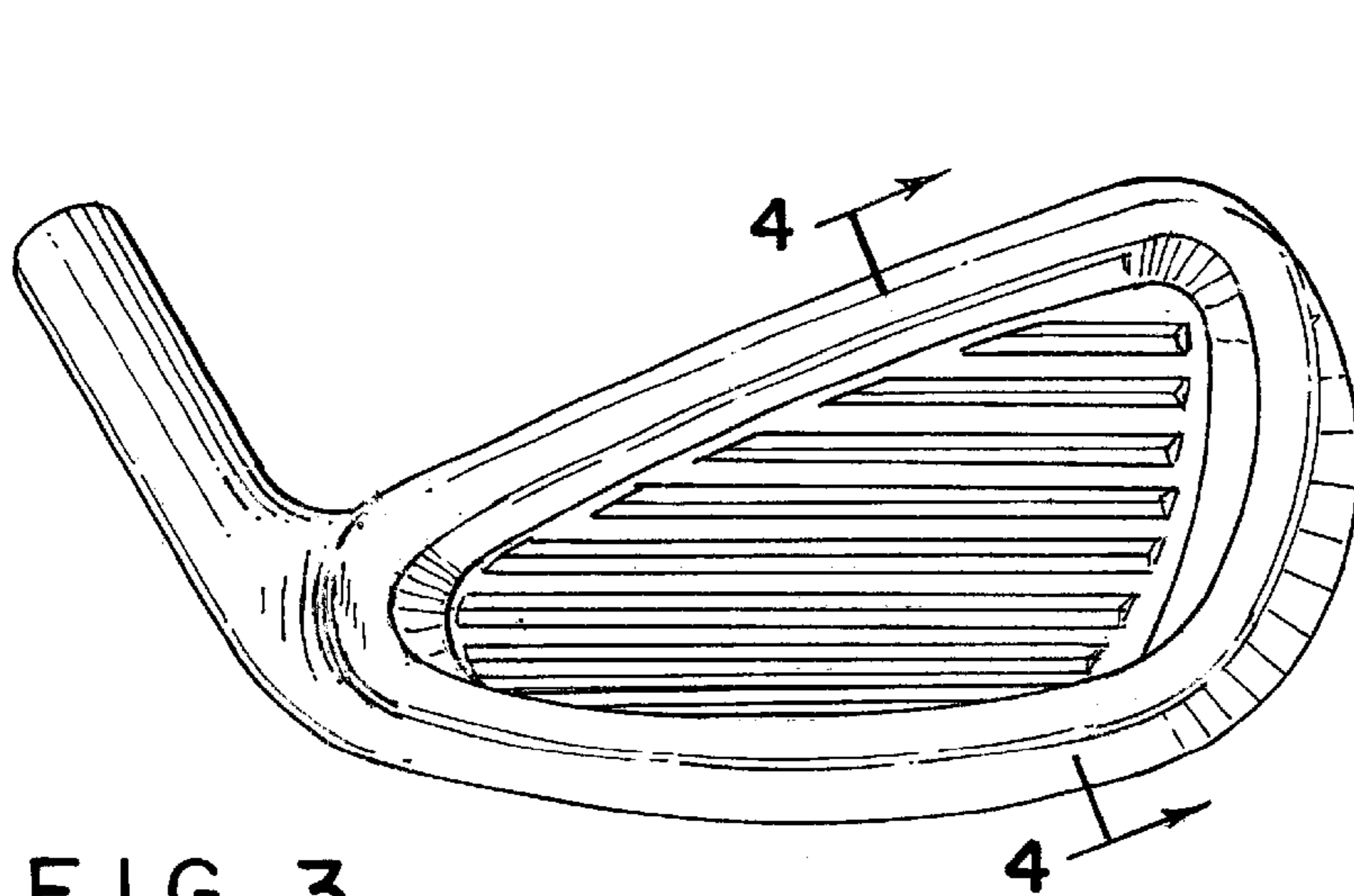
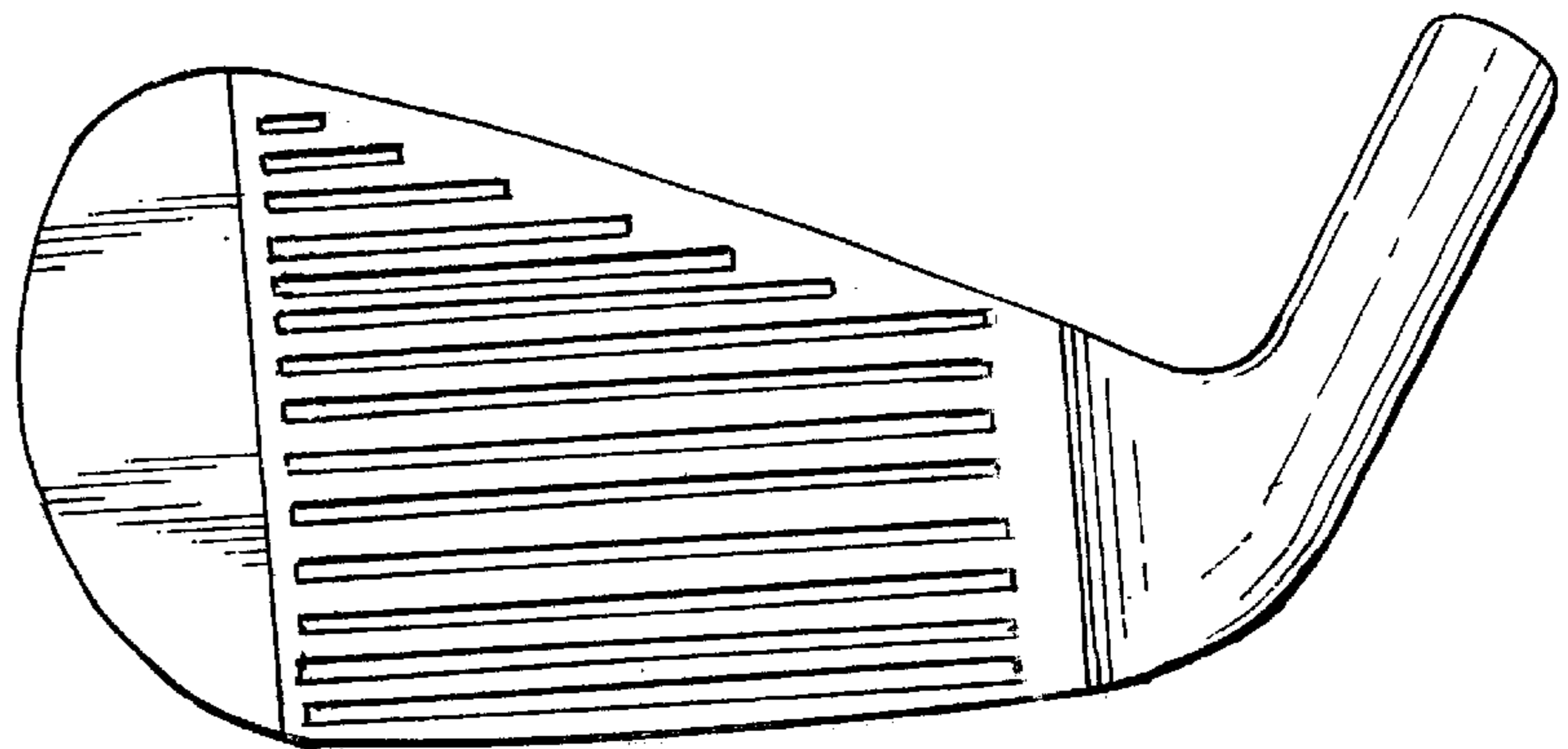


FIG. 3

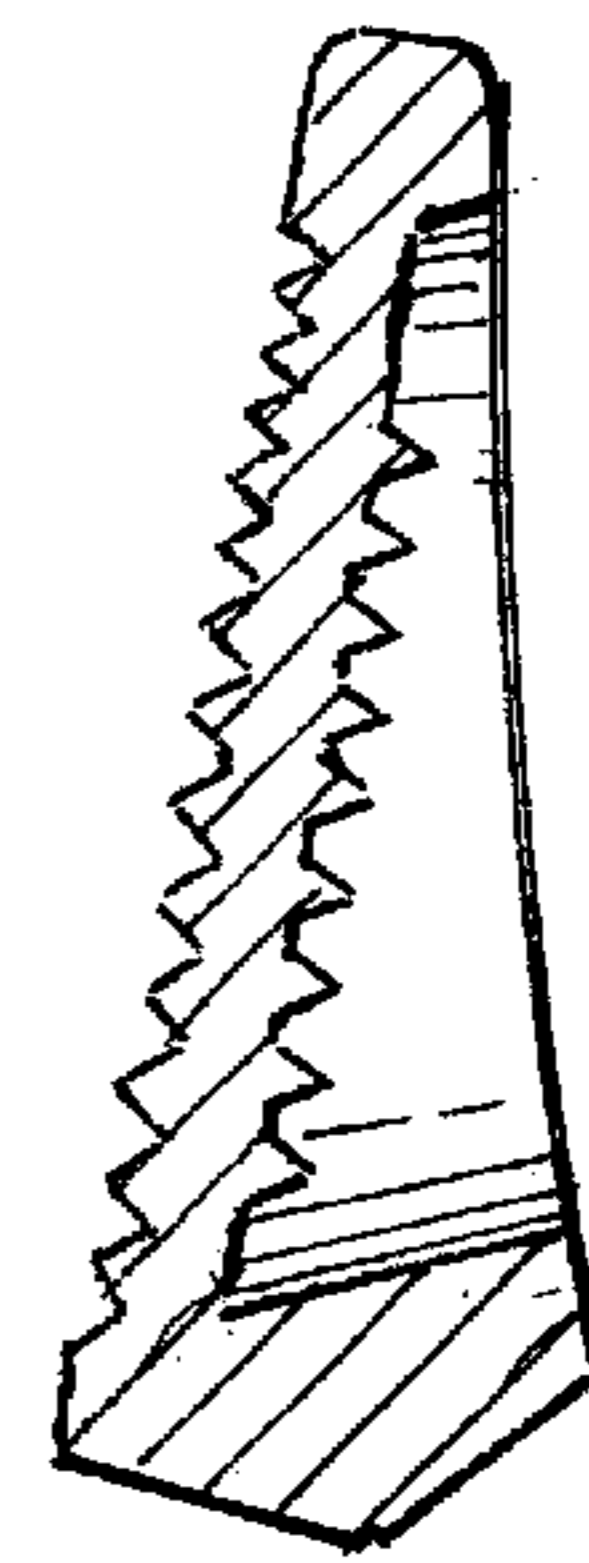


FIG. 4

FIG. 5

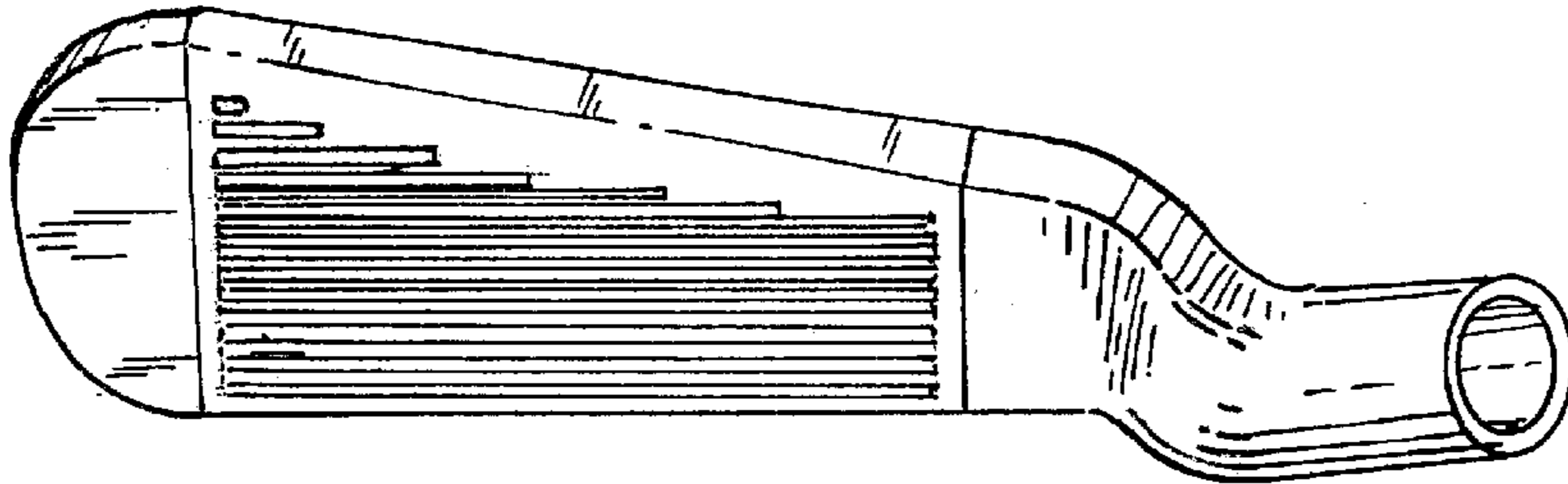


FIG. 6

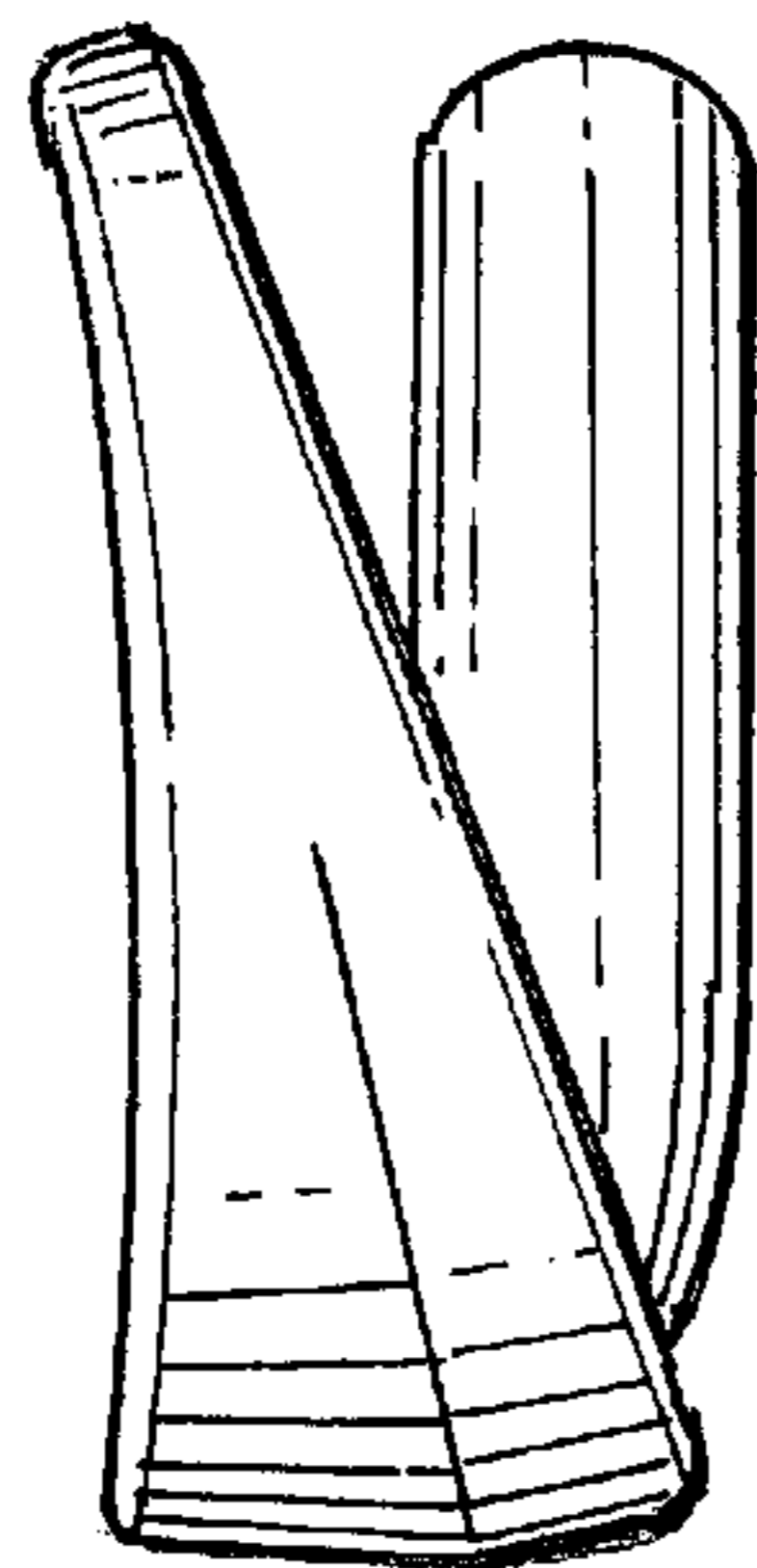
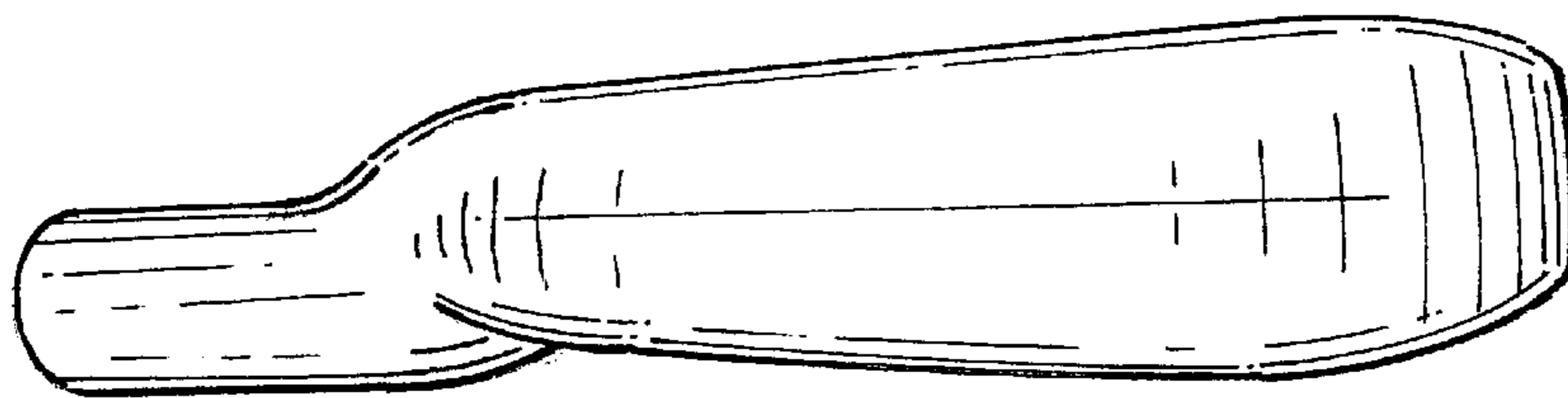


FIG. 7

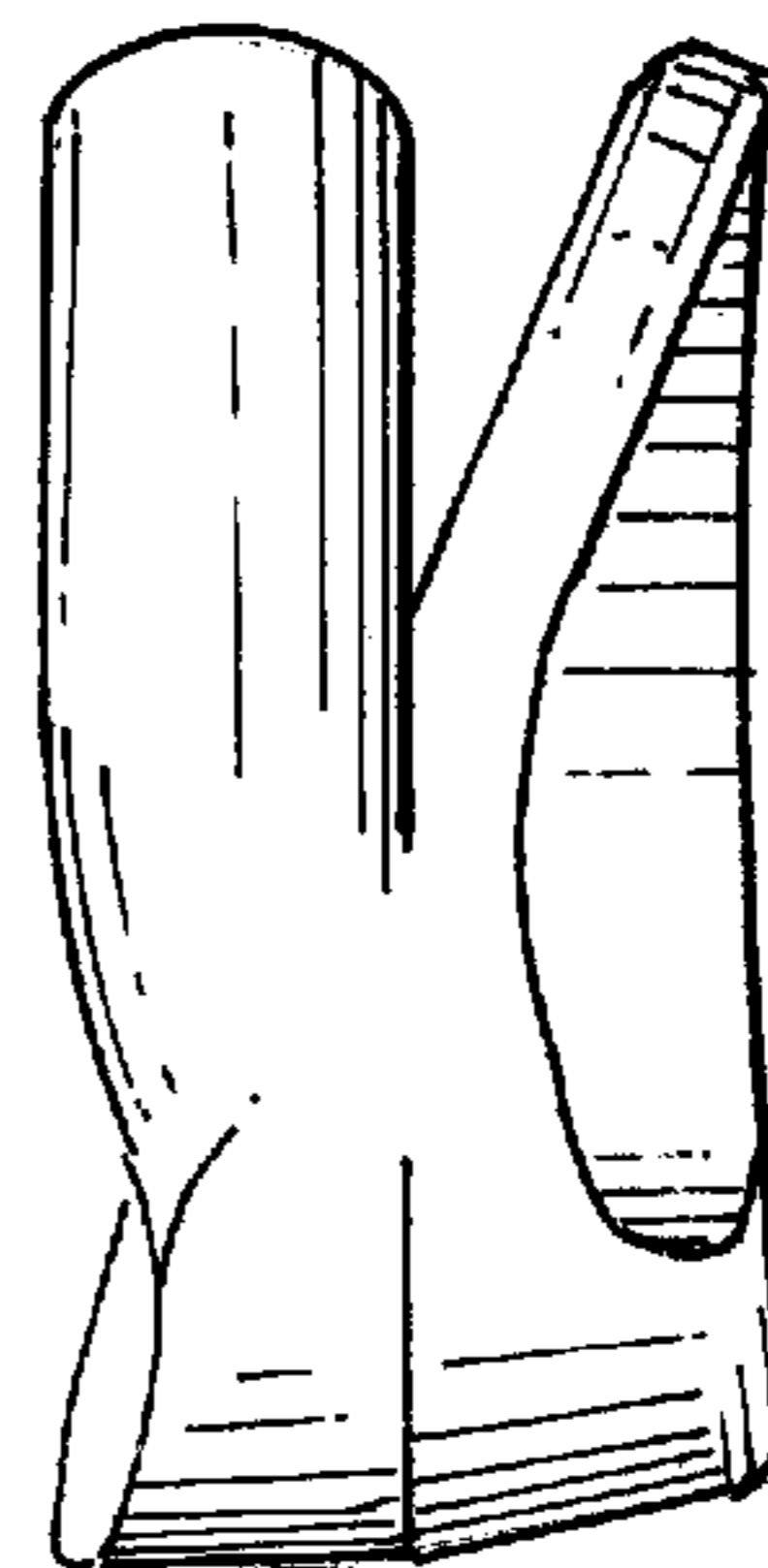


FIG. 8

UNITED STATES PATENT AND TRADEMARK OFFICE
CERTIFICATE OF CORRECTION

PATENT NO. : Des. 481,432 S
DATED : October 28, 2003
INVENTOR(S) : Thomas M. Greene

Page 1 of 1

It is certified that error appears in the above-identified patent and that said Letters Patent is hereby corrected as shown below:

Title page.

Item [73], Assignee, should read -- **The Top-Flite Golf Company**
Chicopee, MA --

Signed and Sealed this

Twenty-first Day of September, 2004

A handwritten signature in black ink on a dotted background. The signature reads "Jon W. Dudas" in a cursive style.

JON W. DUDAS

Director of the United States Patent and Trademark Office