



US00D481429S

(12) **United States Design Patent**  
**Chen**

(10) **Patent No.:** **US D481,429 S**

(45) **Date of Patent:** **\*\* Oct. 28, 2003**

(54) **PULLING FORCE ENHANCEMENT  
MODULE**

(75) Inventor: **Shui Jung Chen**, Taipei (TW)

(73) Assignee: **Direction Technology Co., Ltd.**, Taipei  
(TW)

(\*\*) Term: **14 Years**

(21) Appl. No.: **29/171,900**

(22) Filed: **Dec. 3, 2002**

(51) **LOC (7) Cl.** ..... **21-02**

(52) **U.S. Cl.** ..... **D21/694**

(58) **Field of Search** ..... D21/662, 663,  
D21/664, 665, 666, 667, 668, 669, 670,  
694; 482/51, 54, 55, 56, 57

(56) **References Cited**

**U.S. PATENT DOCUMENTS**

5,016,871	A	*	5/1991	Dalebout et al.	.....	482/5
5,466,203	A	*	11/1995	Chen	.....	482/63
6,042,517	A	*	3/2000	Gunther et al.	.....	482/57
6,099,440	A	*	8/2000	Schurter et al.	.....	482/63
6,283,901	B1	*	9/2001	Chang	.....	482/63
6,491,606	B1	*	12/2002	Swift	.....	482/57

\* cited by examiner

*Primary Examiner*—Philip S. Hyder  
(74) *Attorney, Agent, or Firm*—Rosenberg, Klein & Lee

(57) **CLAIM**

The ornamental design for a pulling force enhancement module, as shown and described.

**DESCRIPTION**

FIG. 1 is a top, front and right side perspective view of a pulling force enhancement module showing my new design; FIG. 2 is a top, rear and left side perspective view of the pulling force enhancement module of FIG. 1;

FIG. 3 is a front elevational view of the pulling force enhancement module of FIG. 1;

FIG. 4 is a rear elevational view of the pulling force enhancement module of FIG. 1;

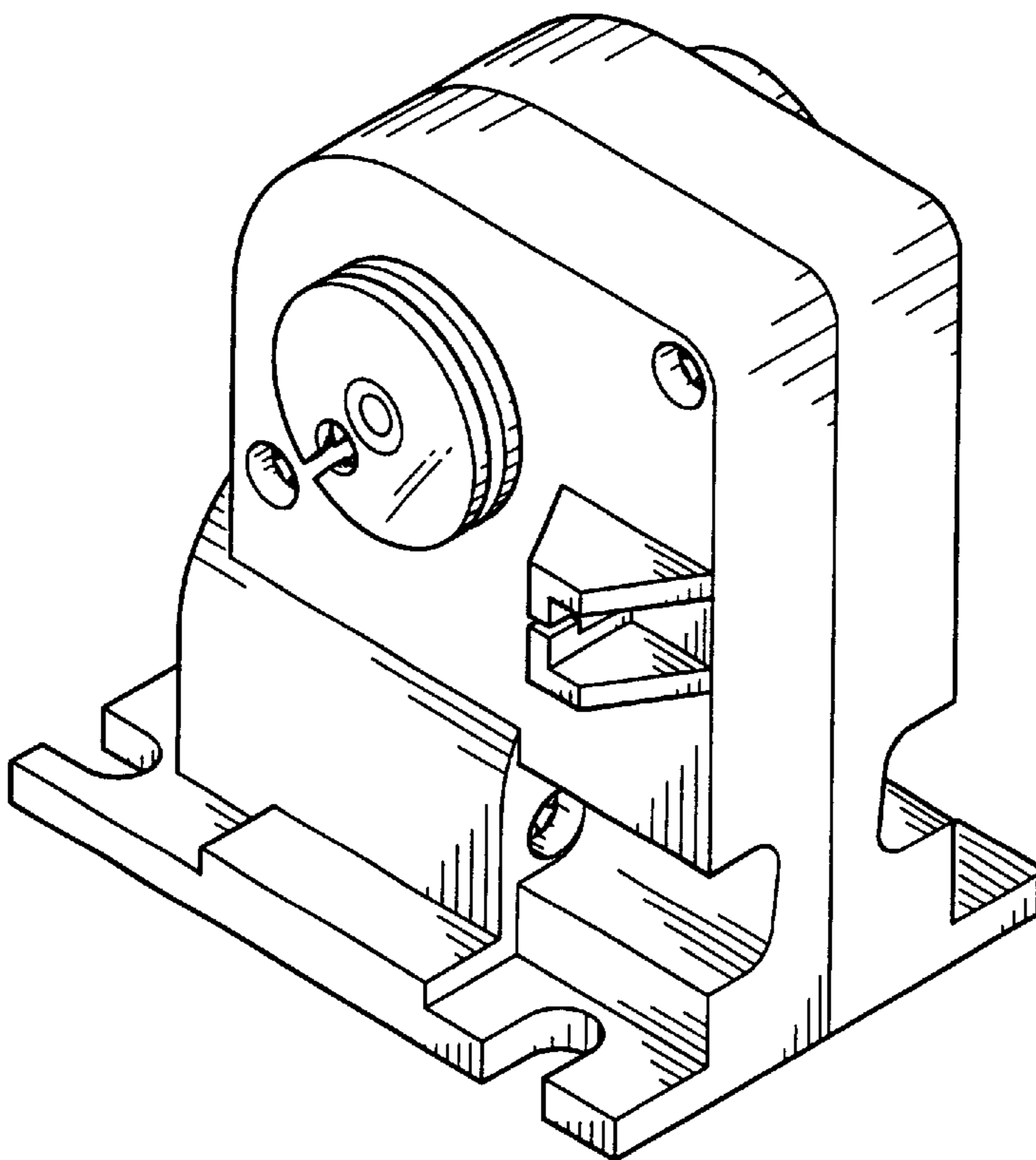
FIG. 5 is a left side elevational view of the pulling force enhancement module of FIG. 1;

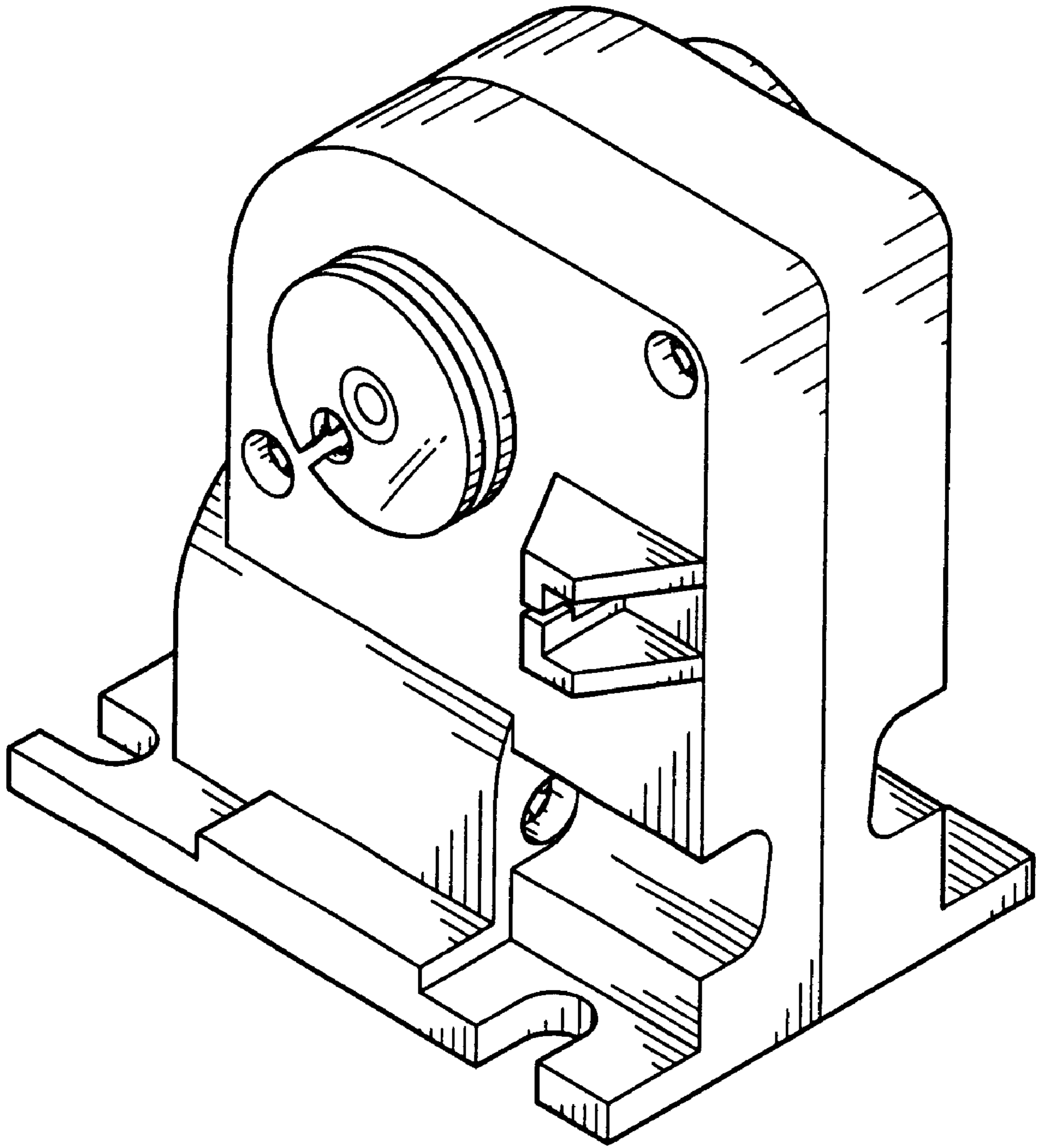
FIG. 6 is a right side elevational view of the pulling force enhancement module of FIG. 1;

FIG. 7 is a top plan view of the pulling force enhancement module of FIG. 1; and,

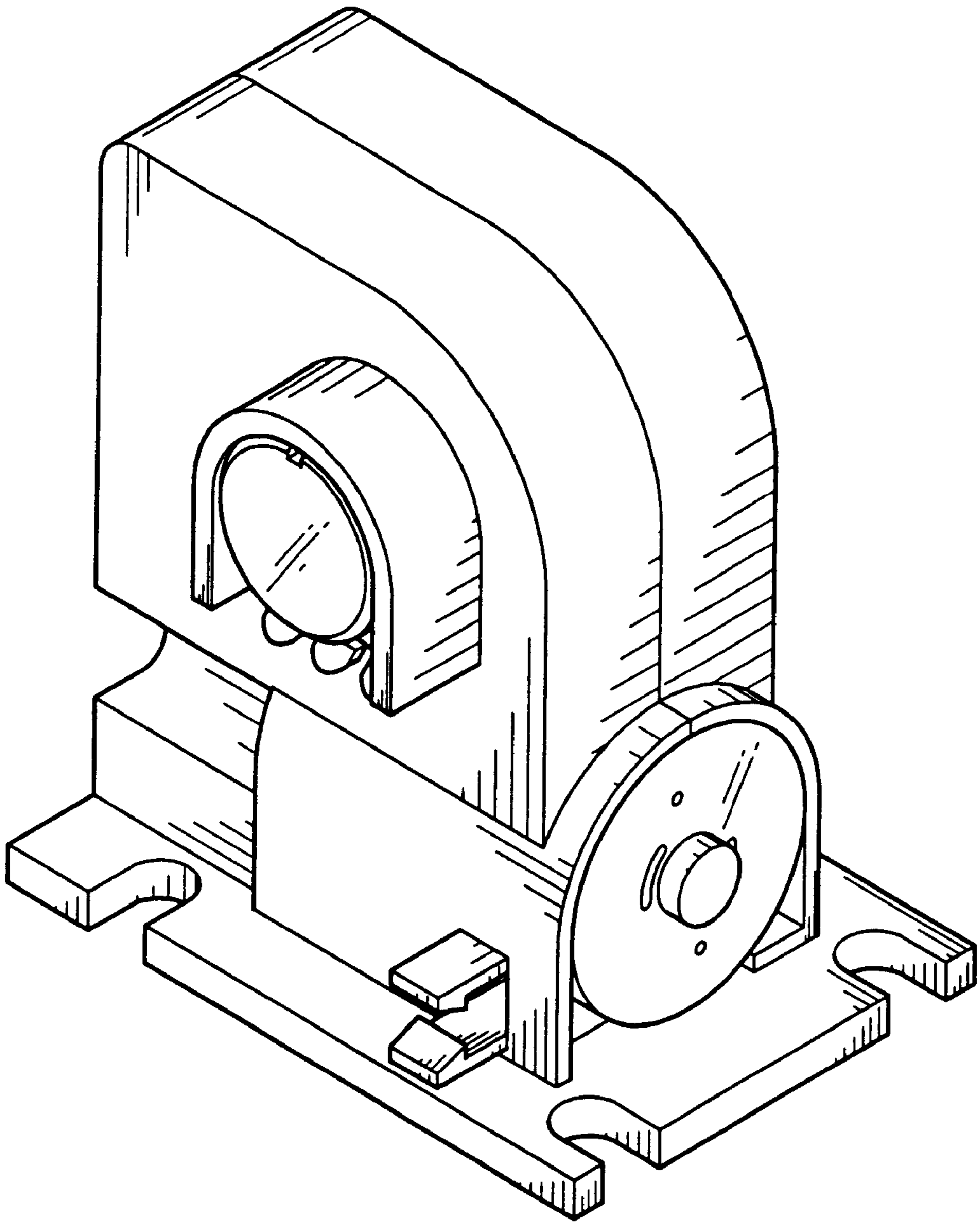
FIG. 8 is a bottom plan view of the pulling force enhancement module of FIG. 1.

**1 Claim, 5 Drawing Sheets**





**FIG. 1**



**FIG.2**

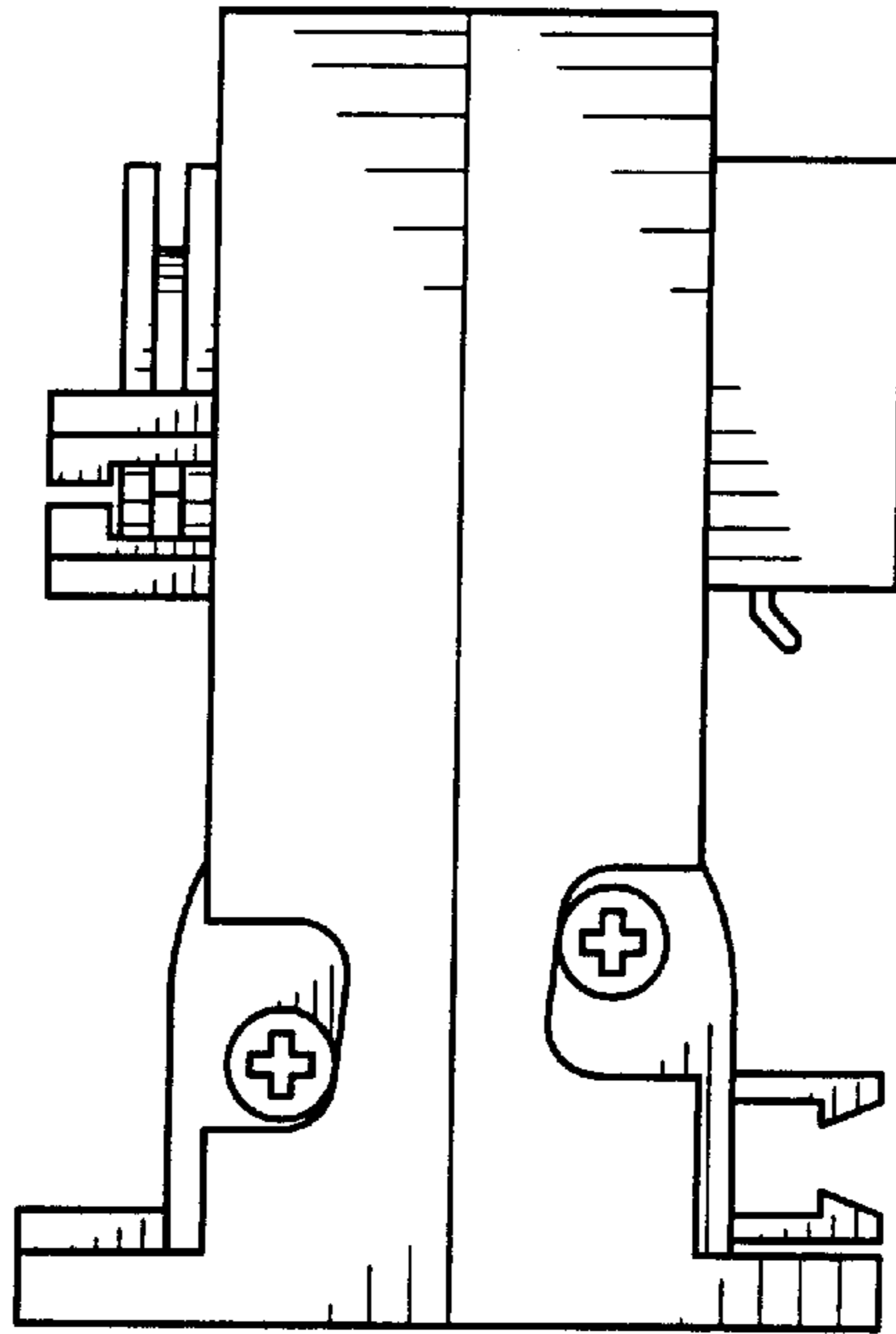


FIG.3

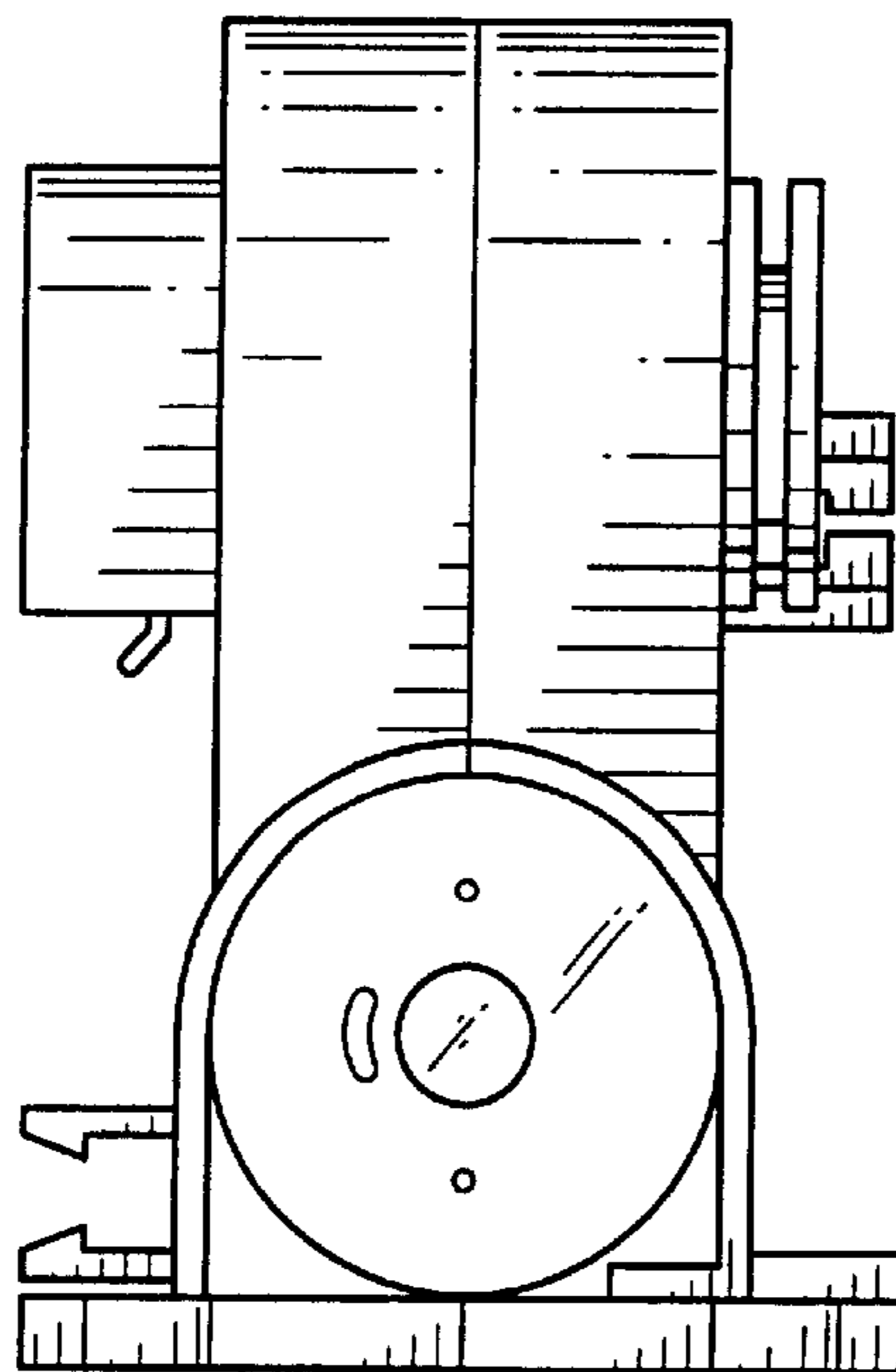


FIG.4

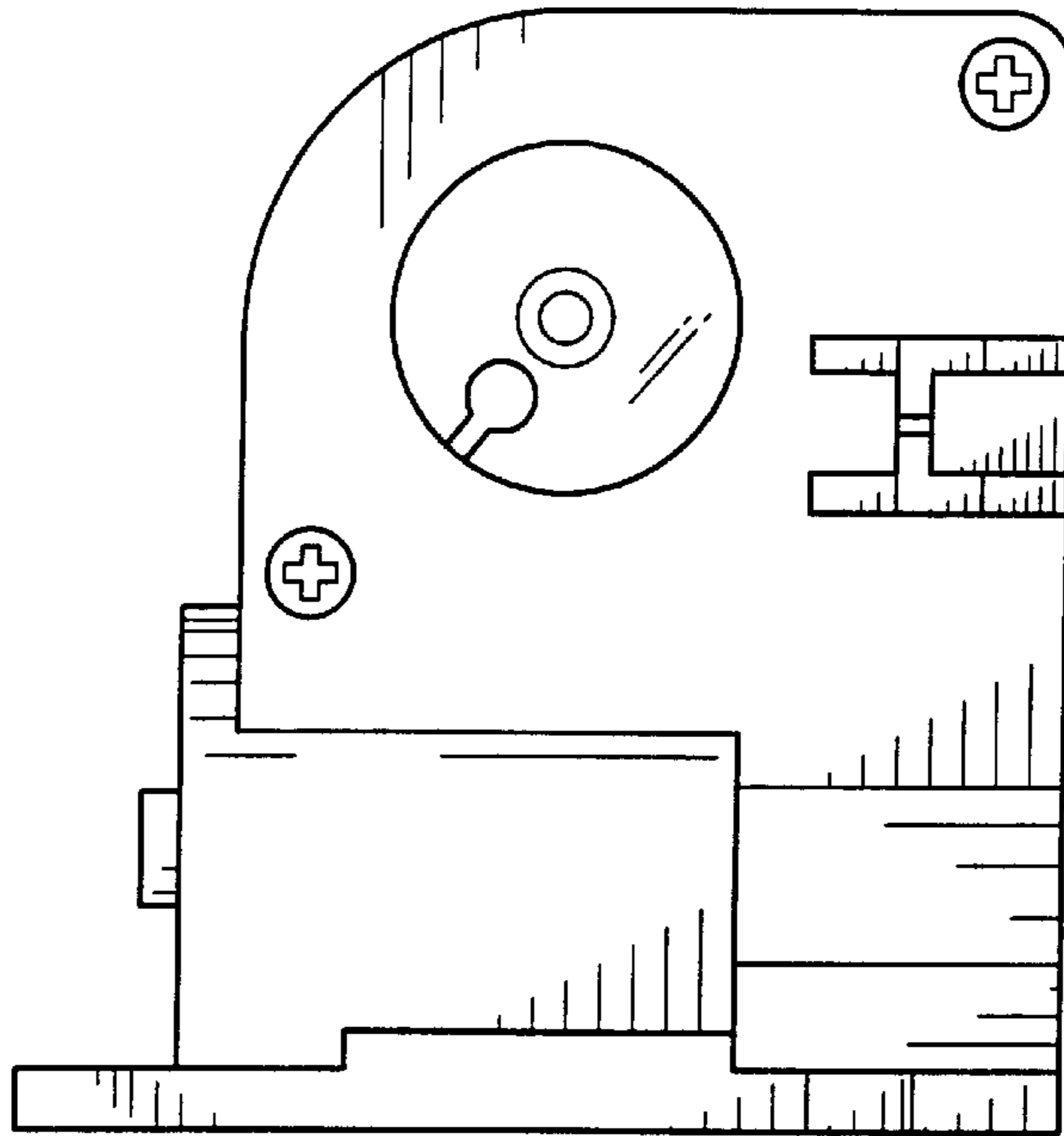


FIG. 5

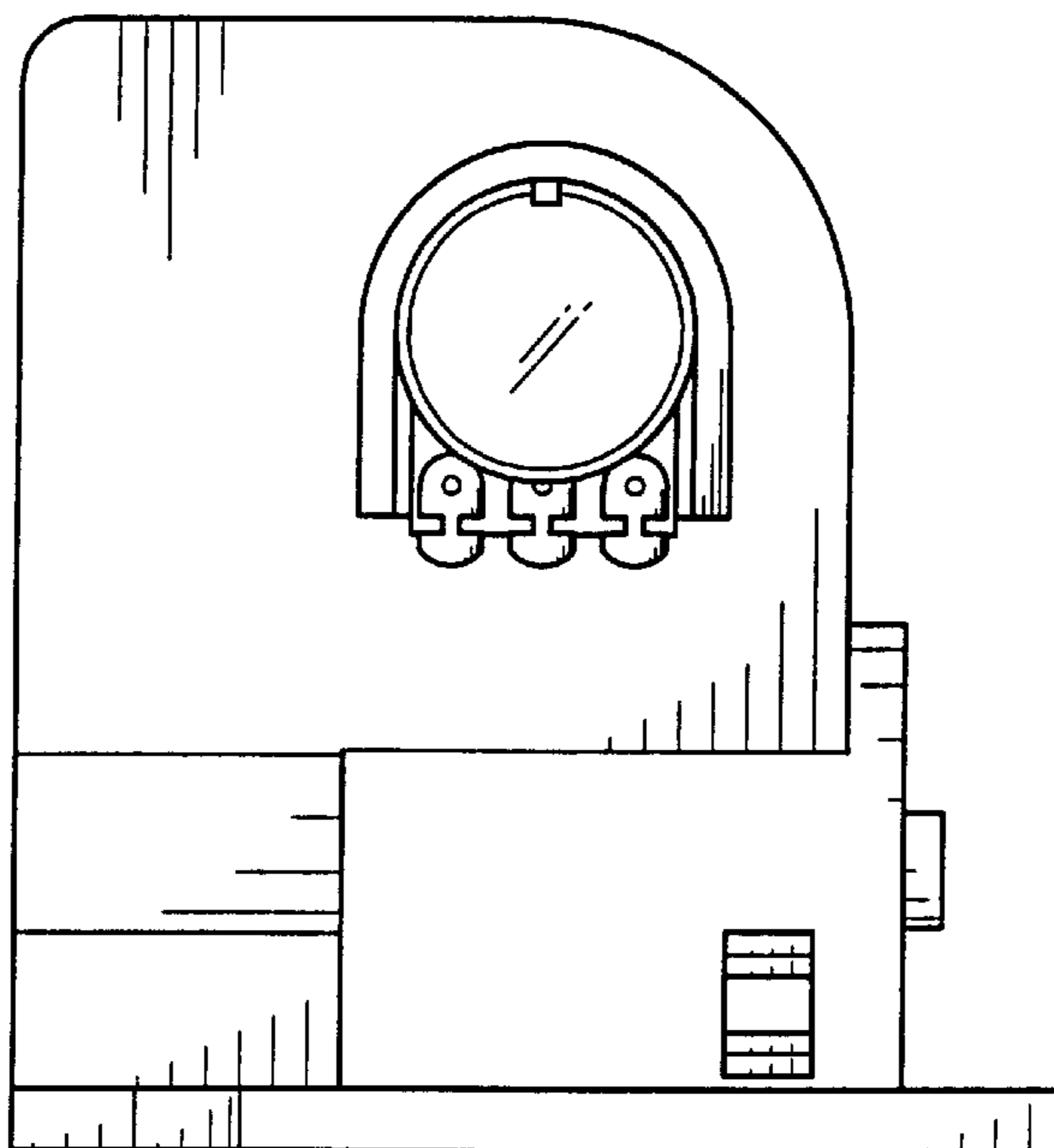
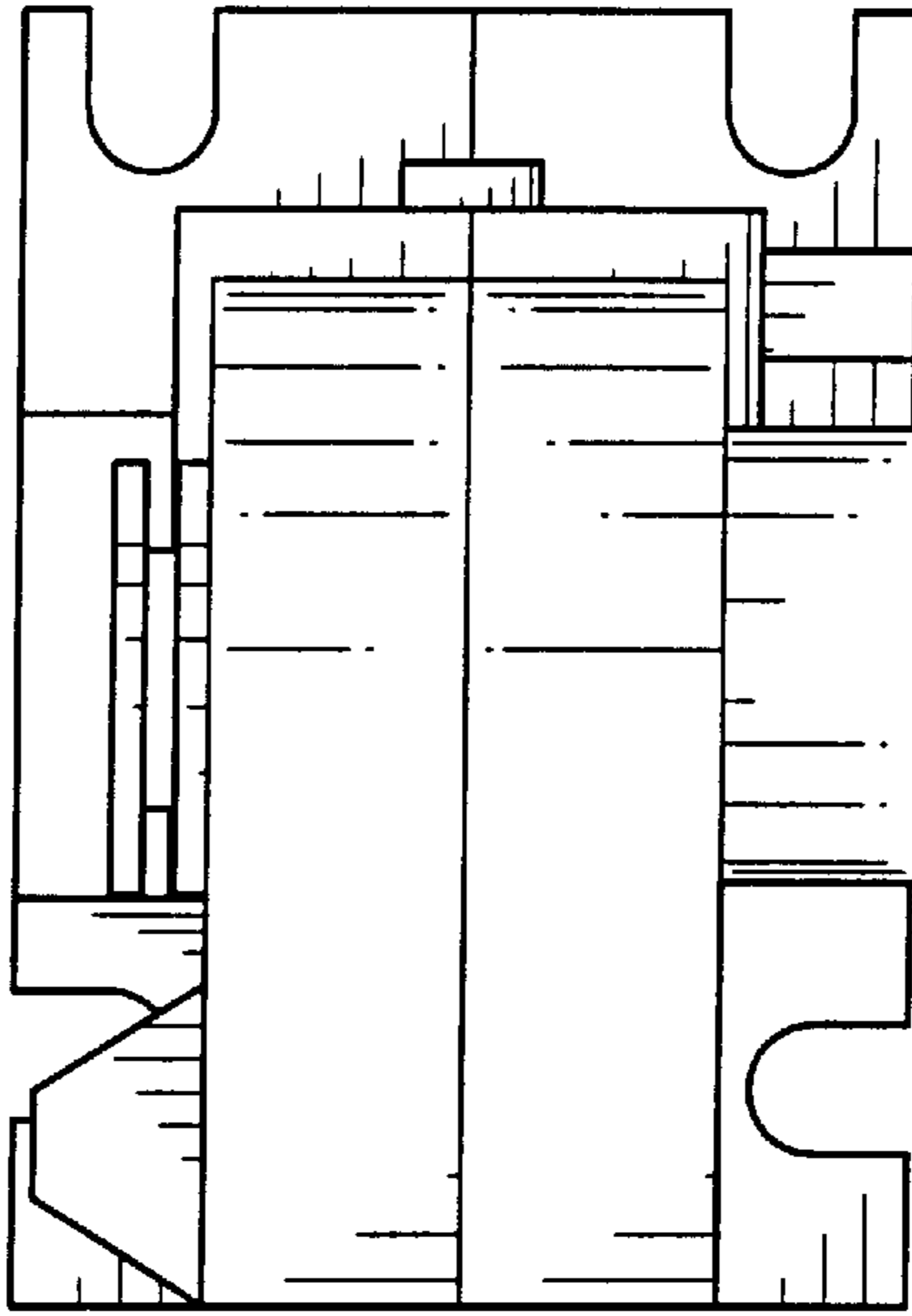
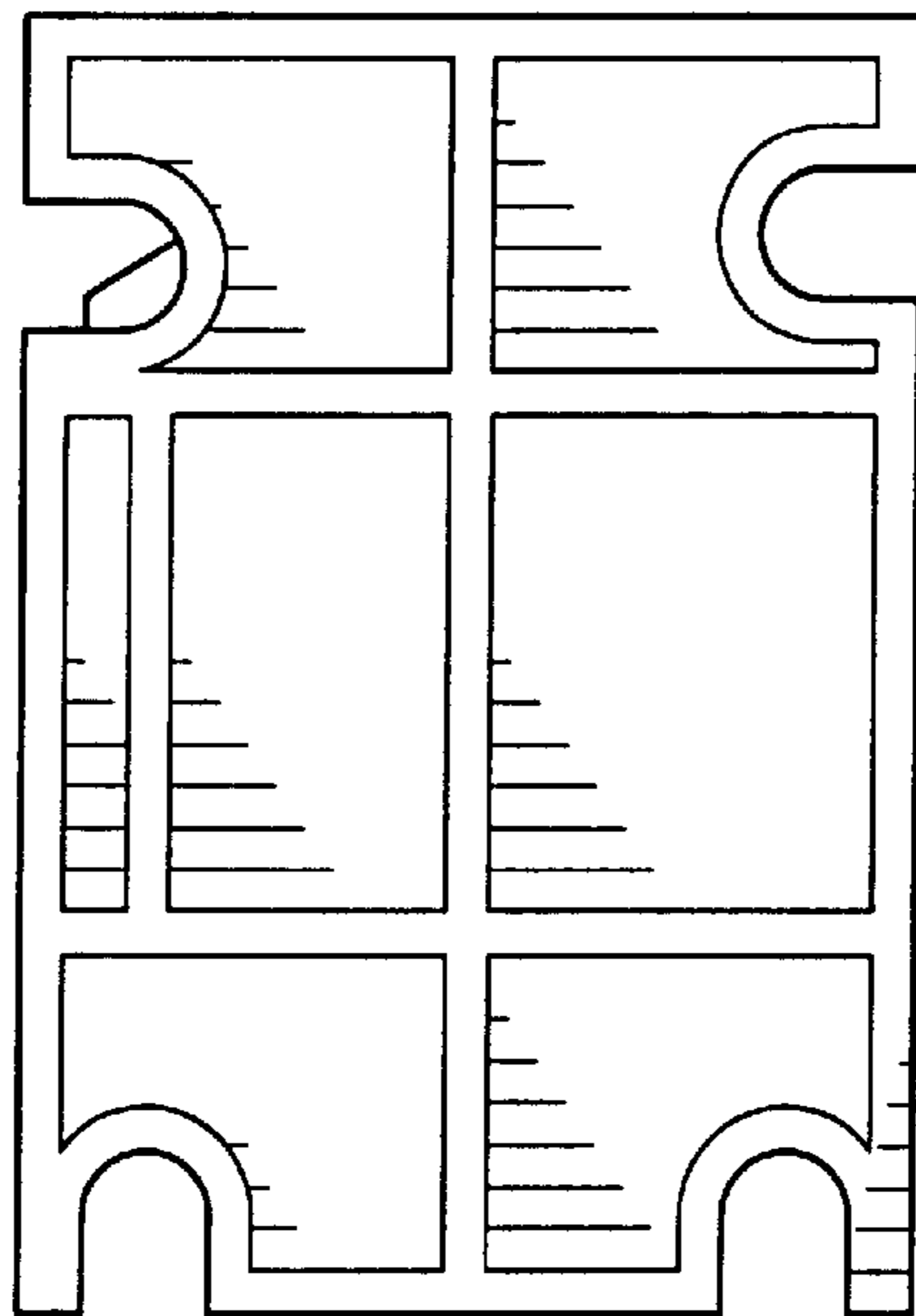


FIG. 6



**FIG. 7**



**FIG. 8**