



US00D481426S

(12) **United States Design Patent**
Jimenez

(10) **Patent No.:** **US D481,426 S**

(45) **Date of Patent:** **** Oct. 28, 2003**

- (54) **PAINTBALL GUN**
- (75) **Inventor:** **Oscar Jimenez**, Norcross, GA (US)
- (73) **Assignee:** **Southern Paintball Concepts, Inc.**,
Norcross, GA (US)
- (**) **Term:** **14 Years**
- (21) **Appl. No.:** **29/169,376**
- (22) **Filed:** **Oct. 18, 2002**
- (51) **LOC (7) Cl.** **21-01**
- (52) **U.S. Cl.** **D21/574**
- (58) **Field of Search** D21/567-575;
D14/428; D23/22.5, 22.6; D22/103; 446/473,
475, 406, 267, 180, 219, 430; 124/16, 22,
73-76, 83-85, 66; 42/54, 7, 103

- 6,065,460 A * 5/2000 Lotuaco, III 124/74
- 6,138,656 A * 10/2000 Rice et al. 124/73
- D443,903 S * 6/2001 Wang D21/574
- 6,371,099 B1 * 4/2002 Lee 124/66

OTHER PUBLICATIONS

Hong Kong Toys, p 265, Feb. 1997.*

* cited by examiner

Primary Examiner—Raphael Barkai

(74) *Attorney, Agent, or Firm*—Powell, Goldstein, Frazer & Murphy LLP; Jason A. Bernstein

(57) **CLAIM**

The ornamental design for my paintball gun, as shown and described.

DESCRIPTION

FIG. 1 is a right side elevation view of my paintball gun; FIG. 2 is a top plan view thereof; FIG. 3 is a bottom plan view thereof; FIG. 4 is a new side elevation view thereof; and, FIG. 5 is a front side elevation view thereof.

(56) **References Cited**

U.S. PATENT DOCUMENTS

- D212,245 S * 9/1968 Iida D21/574
- D368,121 S * 3/1996 Lam D21/574
- 5,503,137 A * 4/1996 Fusco 124/72

1 Claim, 2 Drawing Sheets

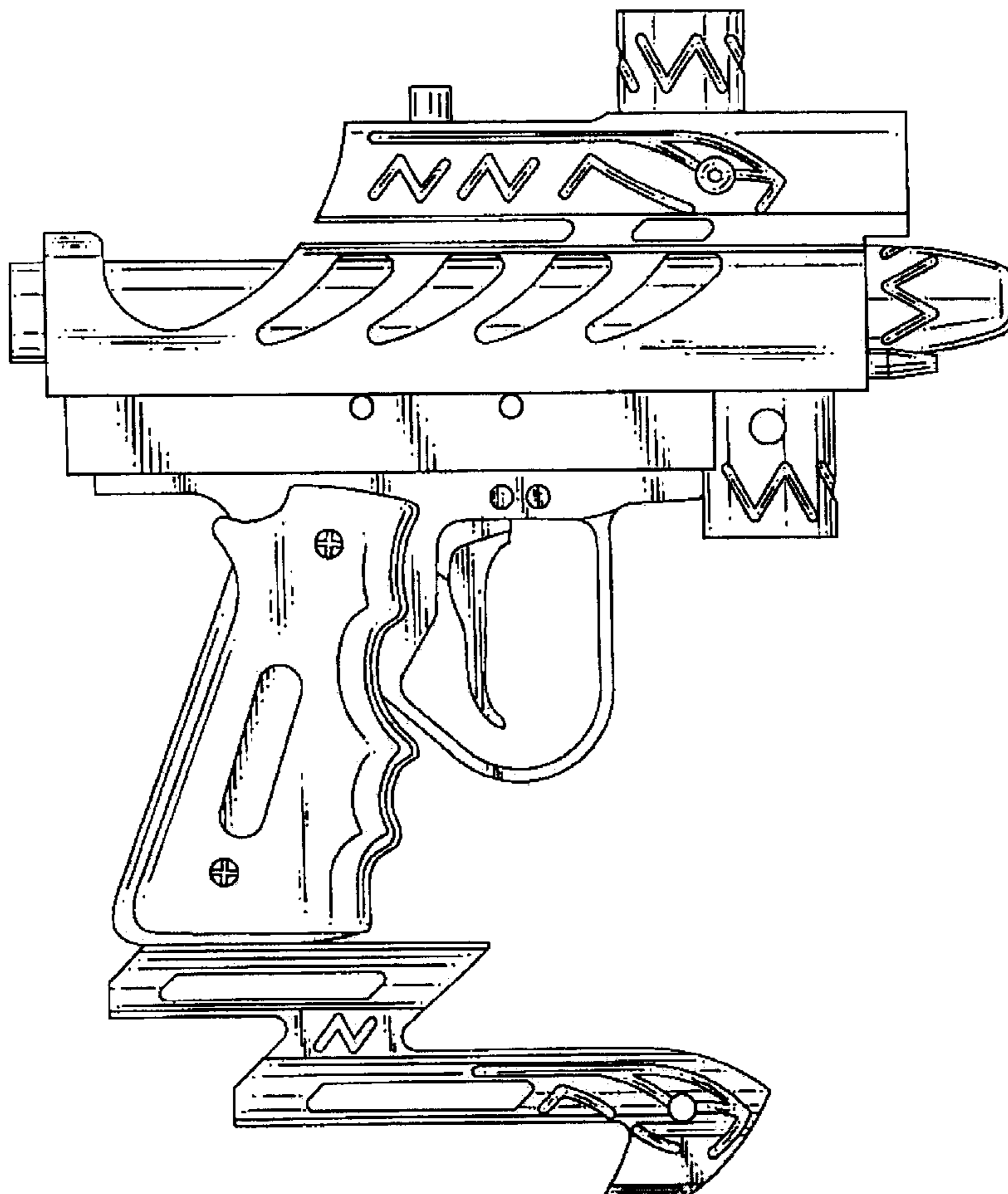




FIG. 2

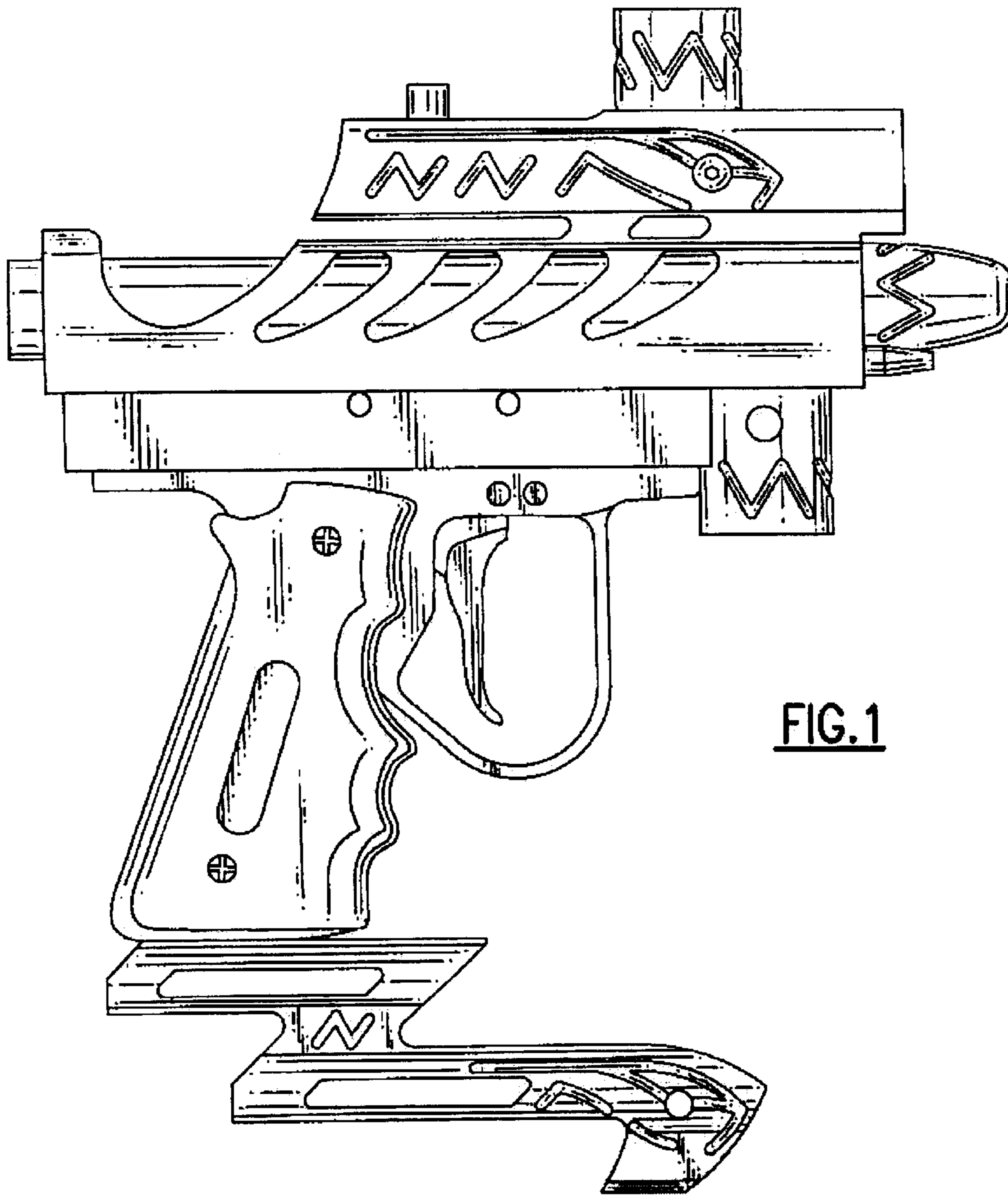


FIG. 1

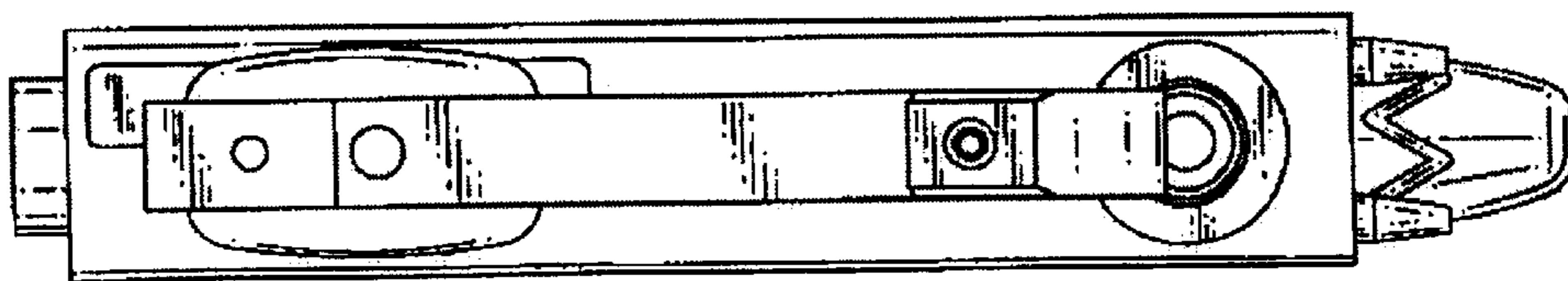


FIG. 3

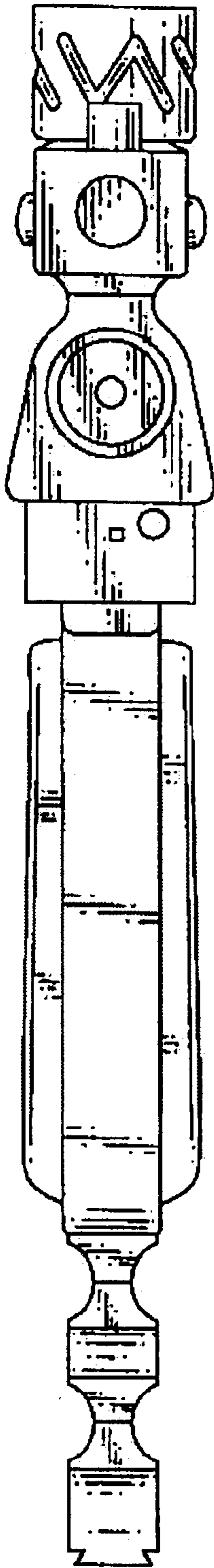


FIG. 4

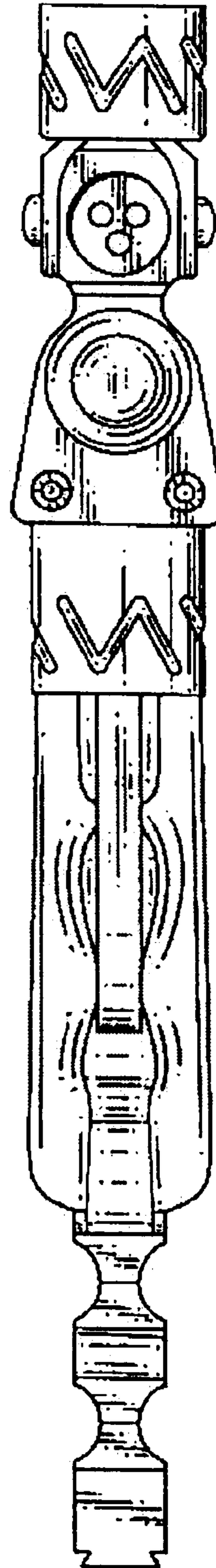


FIG. 5