



US00D481422S

(12) **United States Design Patent**
Chen

(10) **Patent No.:** **US D481,422 S**

(45) **Date of Patent:** **** Oct. 28, 2003**

(54) **SCOOTER FRAME**

(75) **Inventor:** **Ting-Hsing Chen, Tainan Hsien (TW)**

(73) **Assignee:** **Far Great Plastics Industrial Co., Ltd., Tainan Hsien (TW)**

(**) **Term:** **14 Years**

(21) **Appl. No.:** **29/175,744**

(22) **Filed:** **Feb. 11, 2003**

(51) **LOC (7) Cl.** **21-01**

(52) **U.S. Cl.** **D21/423**

(58) **Field of Search** D21/419, 421,
D21/423, 424, 435, 533, 760, 765, 771;
D12/107, 110-112, 115, 117; 280/761,
87.01, 87.042, 87.05, 278, 287, 87.041;
180/180, 181, 216, 219

(56) **References Cited**

U.S. PATENT DOCUMENTS

3,486,765 A * 12/1969 Turner 280/278
D221,965 S * 9/1971 LaJeunesse D21/423

D244,479 S * 5/1977 Pasin D21/423
D291,187 S * 8/1987 Smith et al. D12/111
4,761,014 A * 8/1988 Huang 280/87.041
4,958,842 A * 9/1990 Chang 280/287
D427,111 S * 6/2000 Chen D12/111

* cited by examiner

Primary Examiner—Raphael Barkai

(74) *Attorney, Agent, or Firm*—Rosenberg, Klein & Lee

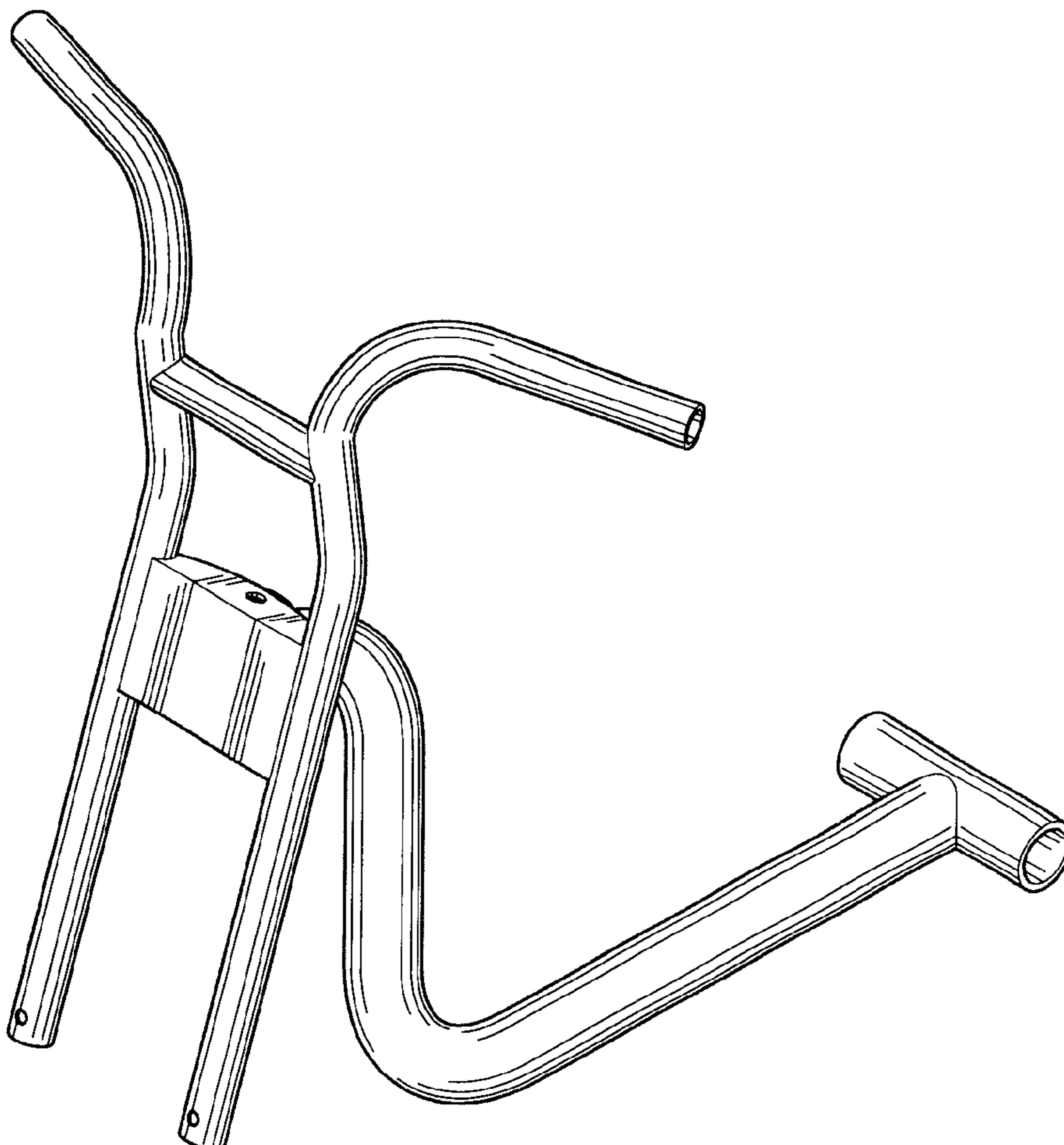
(57) **CLAIM**

The ornamental design for a scooter frame, as shown and described.

DESCRIPTION

FIG. 1 is a perspective view of a scooter frame showing my present design;
FIG. 2 is a front view thereof;
FIG. 3 is a rear view thereof;
FIG. 4 is a left view thereof;
FIG. 5 is a right view thereof;
FIG. 6 is a top plan view thereof; and,
FIG. 7 is a bottom plan view.

1 Claim, 7 Drawing Sheets



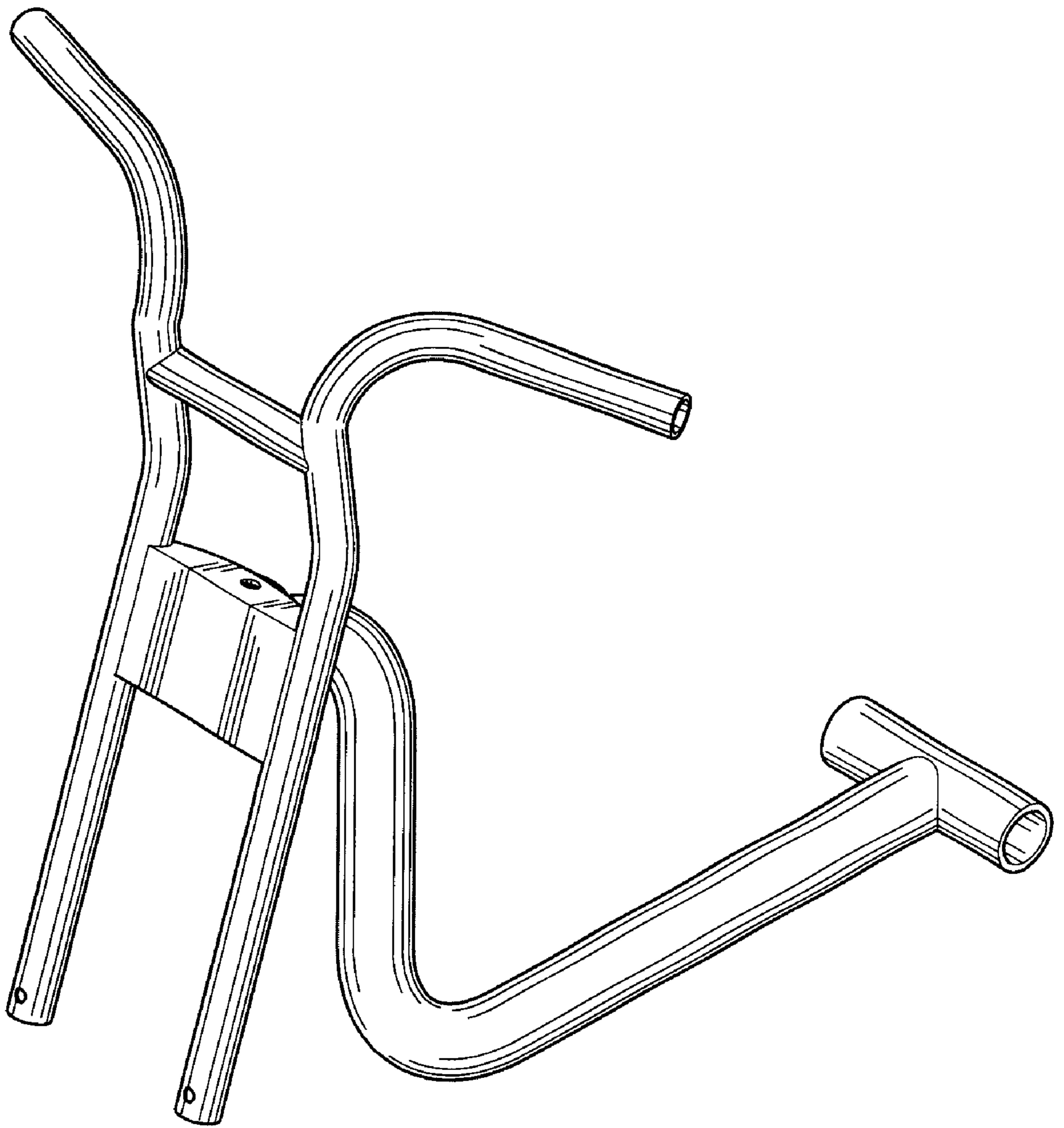


FIG. 1

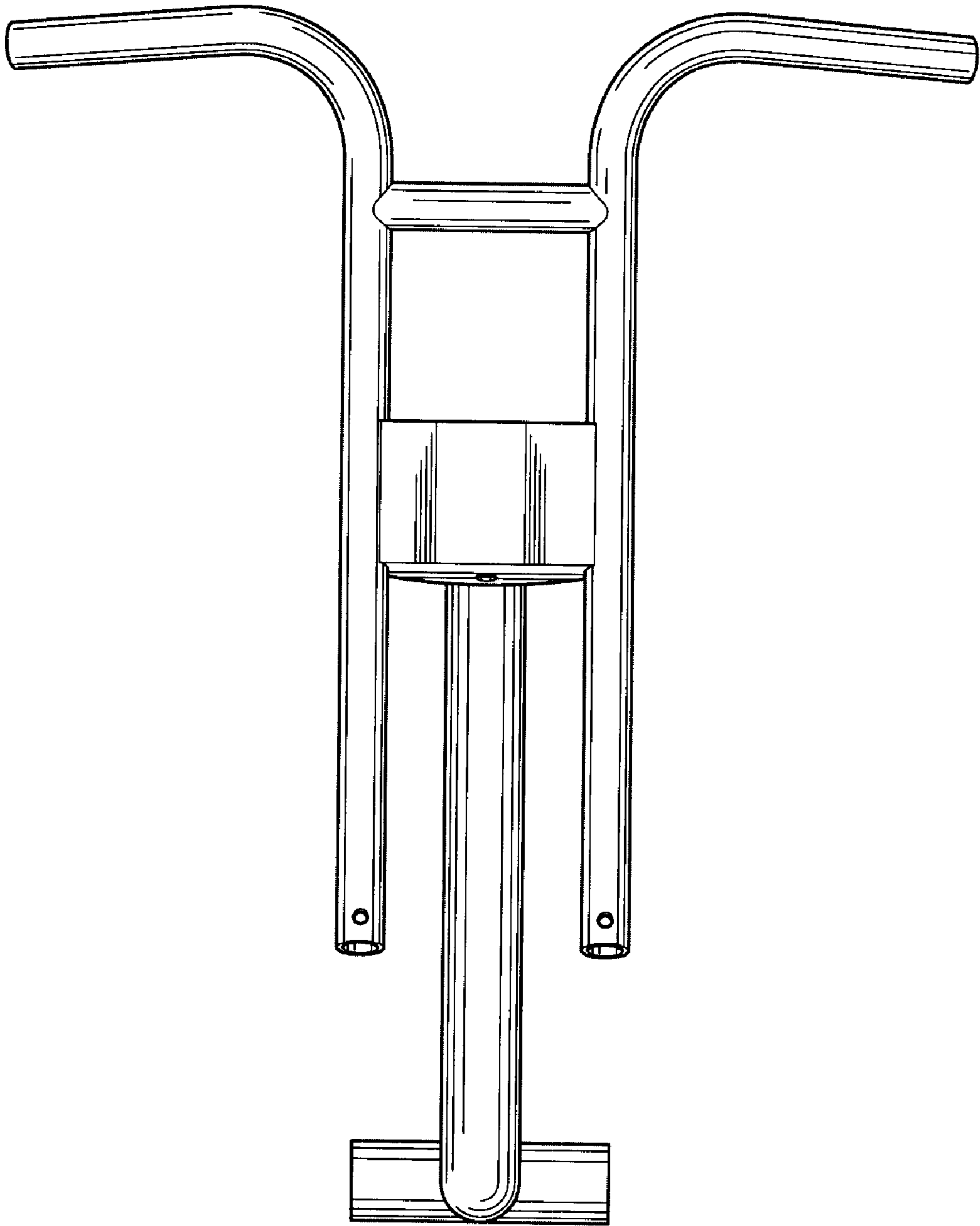


FIG. 2

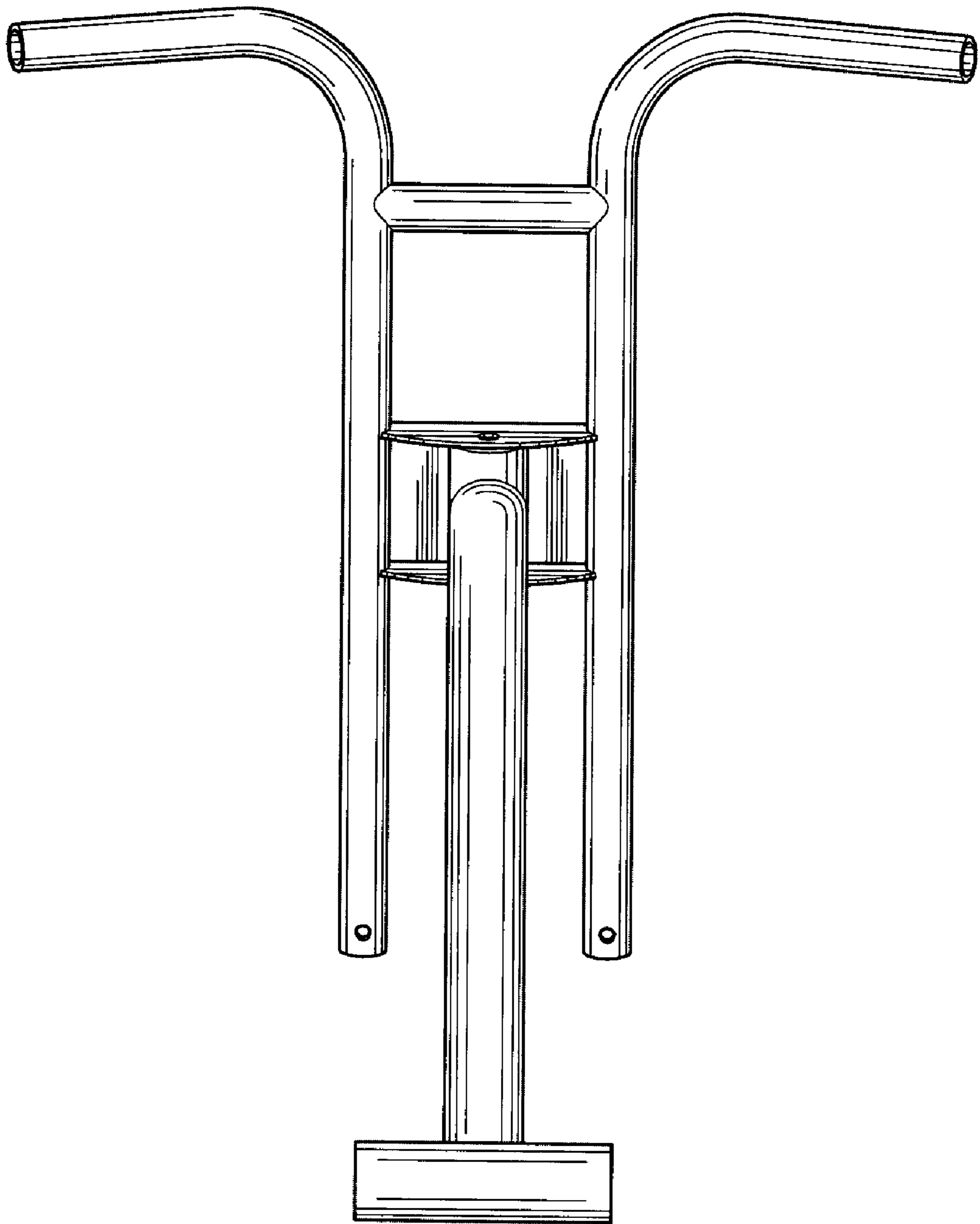


FIG. 3

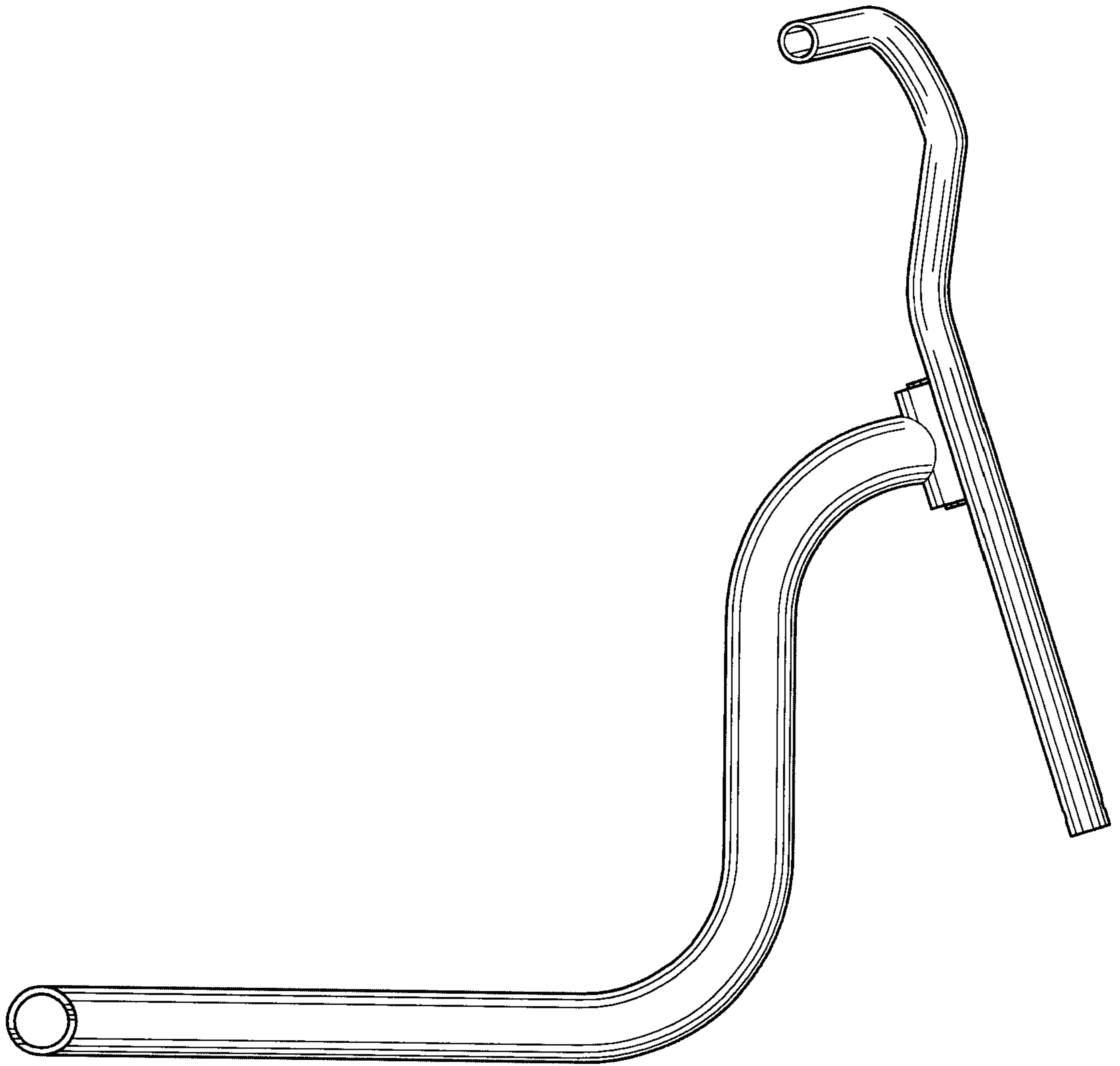


FIG. 4

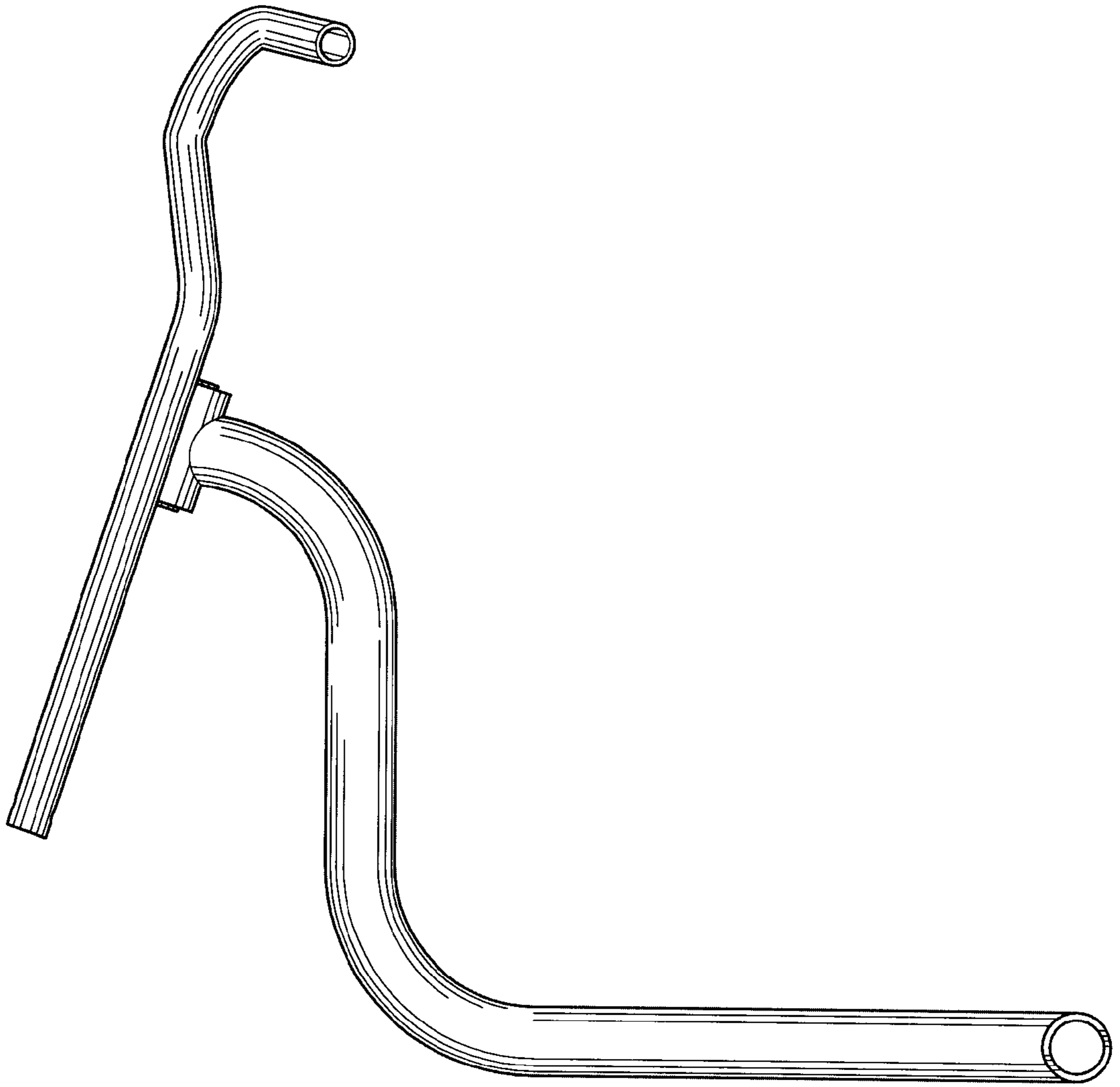


FIG. 5

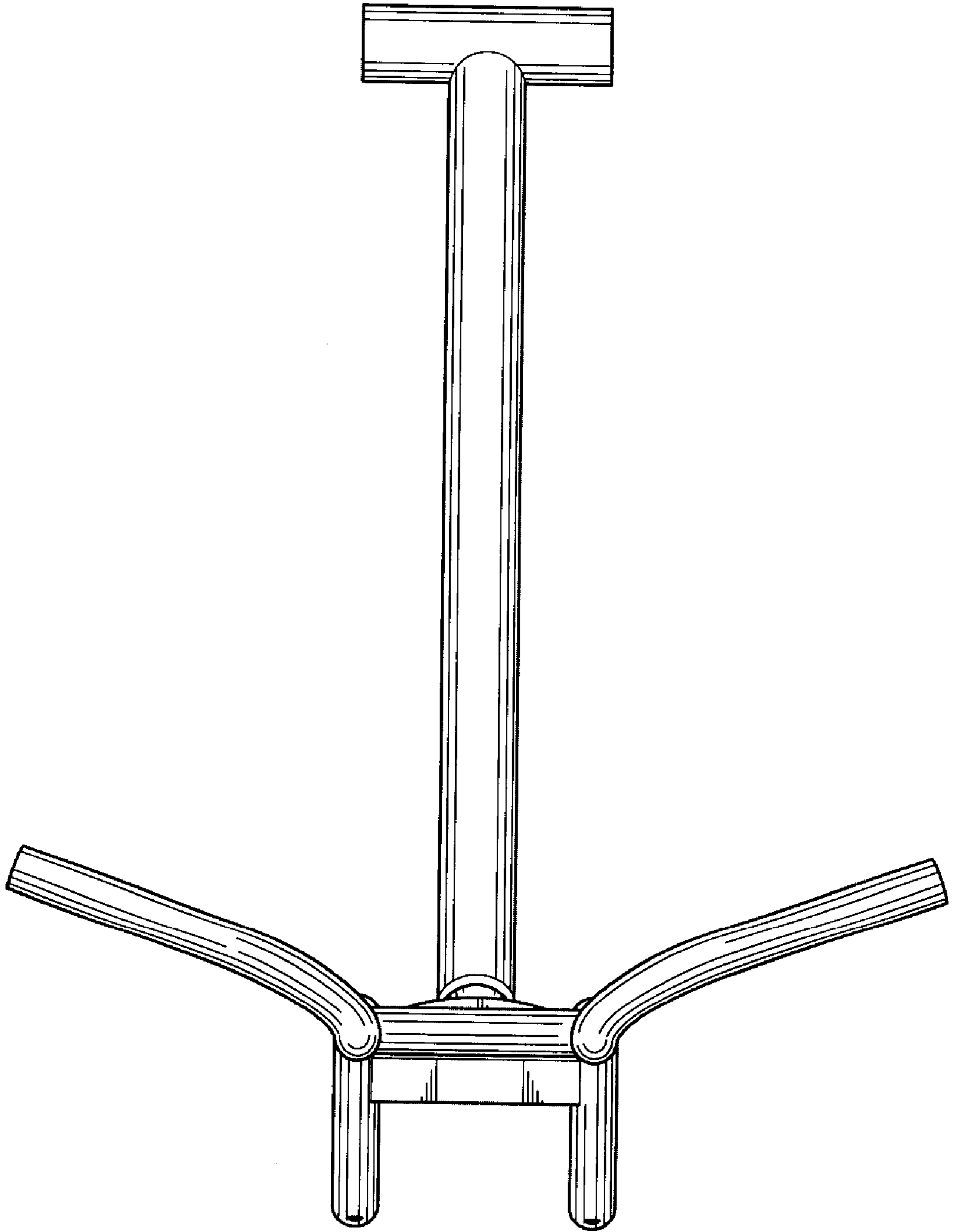


FIG. 6

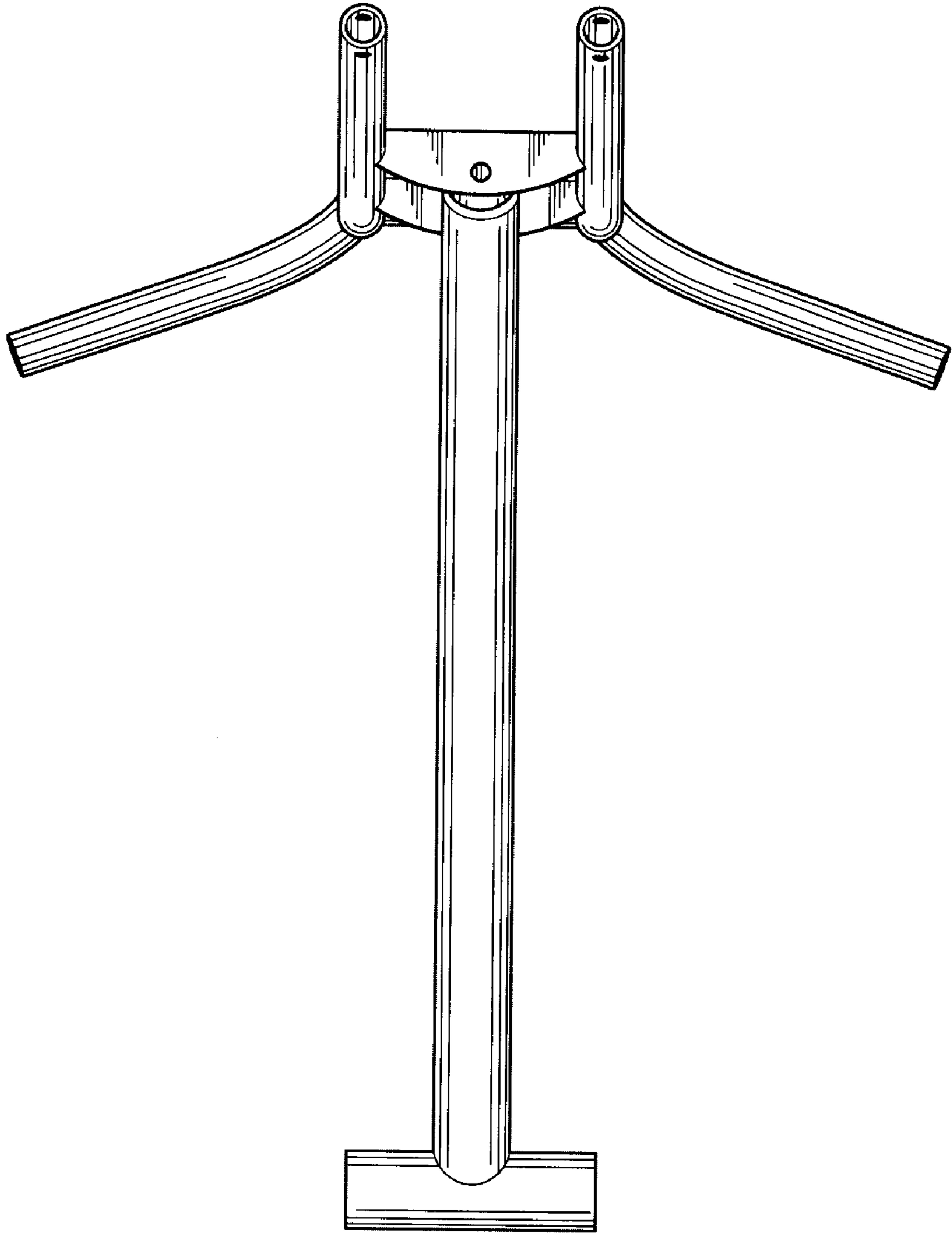


FIG. 7