



US00D481421S

(12) **United States Design Patent**  
**Barbis**

(10) **Patent No.:** **US D481,421 S**

(45) **Date of Patent:** **\*\* Oct. 28, 2003**

(54) **DADDY SADDLE**

(76) **Inventor:** **Richard A. Barbis**, 151 W. 7th Ave.,  
Eugene, OR (US) 97401

(\*\*) **Term:** **14 Years**

(21) **Appl. No.:** **29/177,506**

(22) **Filed:** **Mar. 6, 2003**

(51) **LOC (7) Cl.** ..... **21-01**

(52) **U.S. Cl.** ..... **D21/420; D21/419**

(58) **Field of Search** ..... D21/419, 420,  
D21/416, 832, 658, 483; D30/135; 446/26,  
313, 268; 280/1.13; 297/181

(56) **References Cited**

**U.S. PATENT DOCUMENTS**

D103,924 S	*	4/1937	Burns	.....	D21/419
D159,705 S	*	8/1950	Whitney	.....	D21/416
2,526,786 A	*	10/1950	Whitney	.....	446/26
2,534,904 A	*	12/1950	Ham et al.	.....	446/26
3,323,286 A	*	6/1967	LeLaurin, Jr.	.....	D30/135
3,412,998 A	*	11/1968	Lott et al.	.....	297/181
D265,224 S	*	6/1982	Bollen et al.	.....	D21/832
4,497,500 A	*	2/1985	Mercurio	.....	280/1.13
D278,467 S	*	4/1985	Lang	.....	D30/135

4,519,787 A	*	5/1985	Williams	.....	446/313
D284,296 S	*	6/1986	Bossert et al.	.....	D21/658
4,608,811 A		9/1986	Echeverri		
4,848,067 A		7/1989	Martinsen		
D359,088 S	*	6/1995	Ryaa et al.	.....	D21/483
5,494,471 A	*	2/1996	Ryaa et al.	.....	446/268

\* cited by examiner

*Primary Examiner*—Raphael Barkai

(74) *Attorney, Agent, or Firm*—Robert E. Howard

(57) **CLAIM**

The ornamental design for a daddy saddle, as shown and described.

**DESCRIPTION**

FIG. 1 is a left side elevation view of the daddy saddle of the present invention, a person to whom the daddy saddle is attached being shown in broken lines for illustrative purposes only;

FIG. 2 is a right side elevation view thereof;

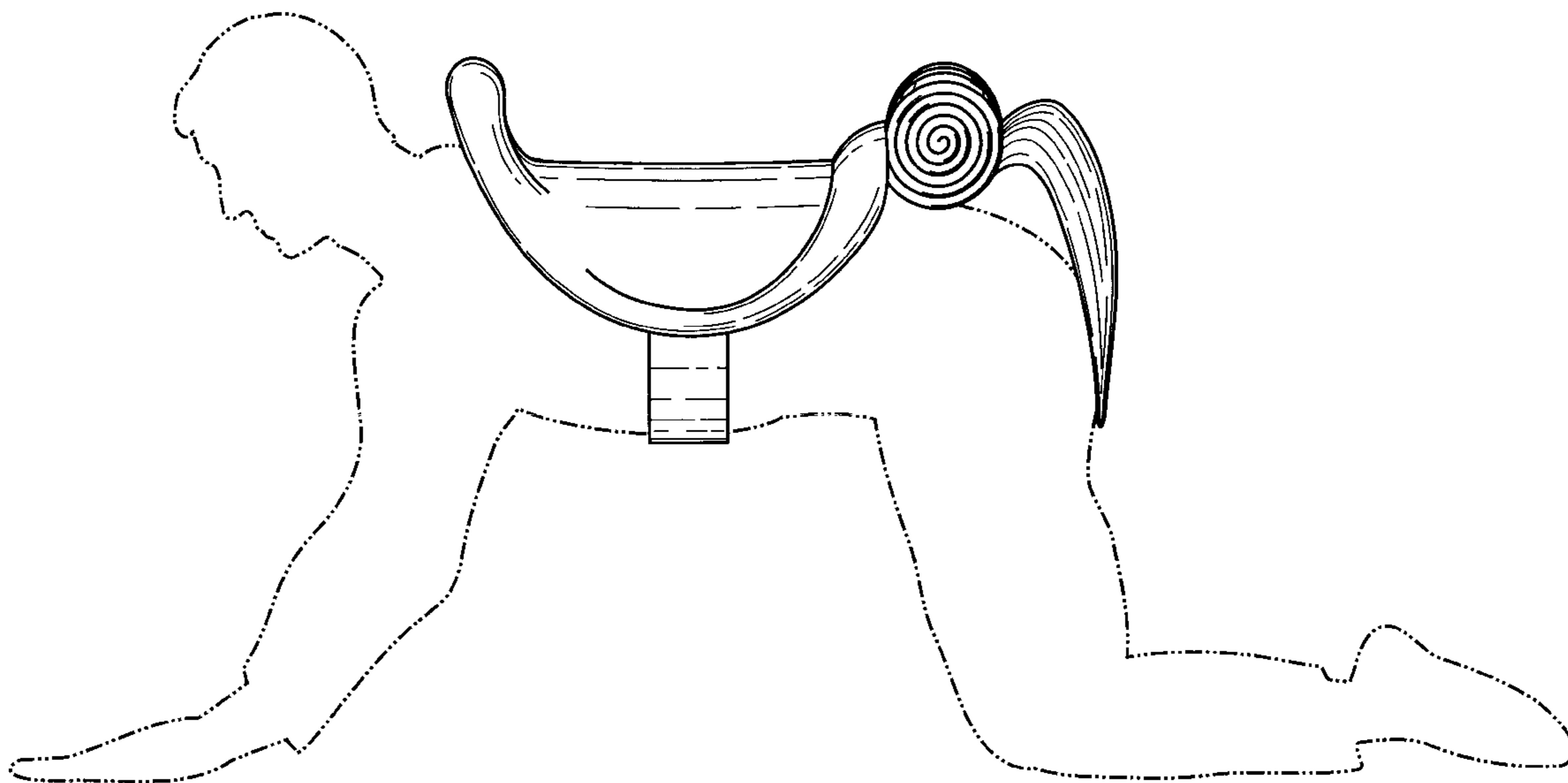
FIG. 3 is a front elevation view thereof;

FIG. 4 is a rear elevation view thereof;

FIG. 5 is a top plan view thereof; and,

FIG. 6 is a bottom plan view thereof.

**1 Claim, 2 Drawing Sheets**



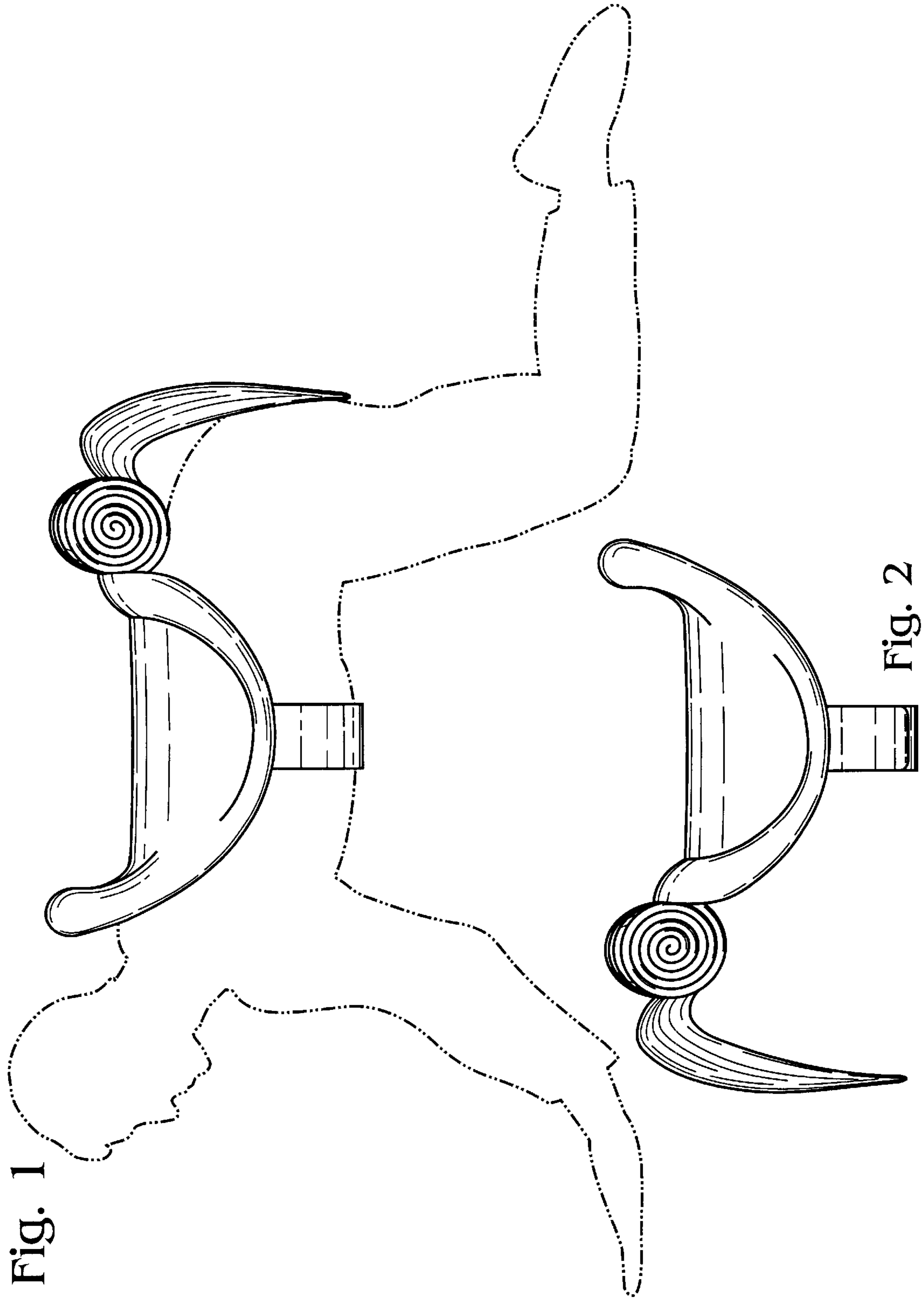


Fig. 1

Fig. 2

Fig. 3

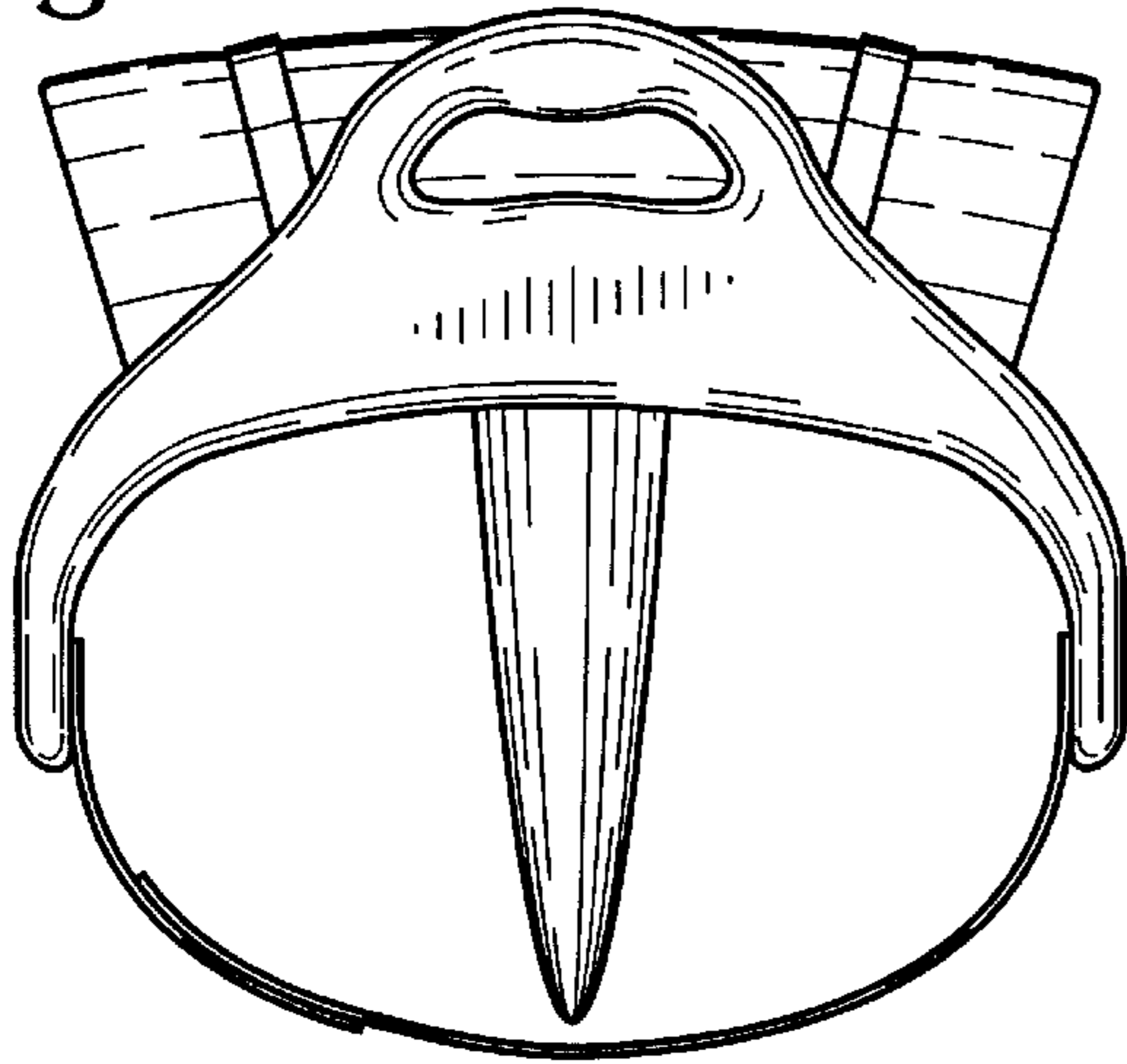


Fig. 4

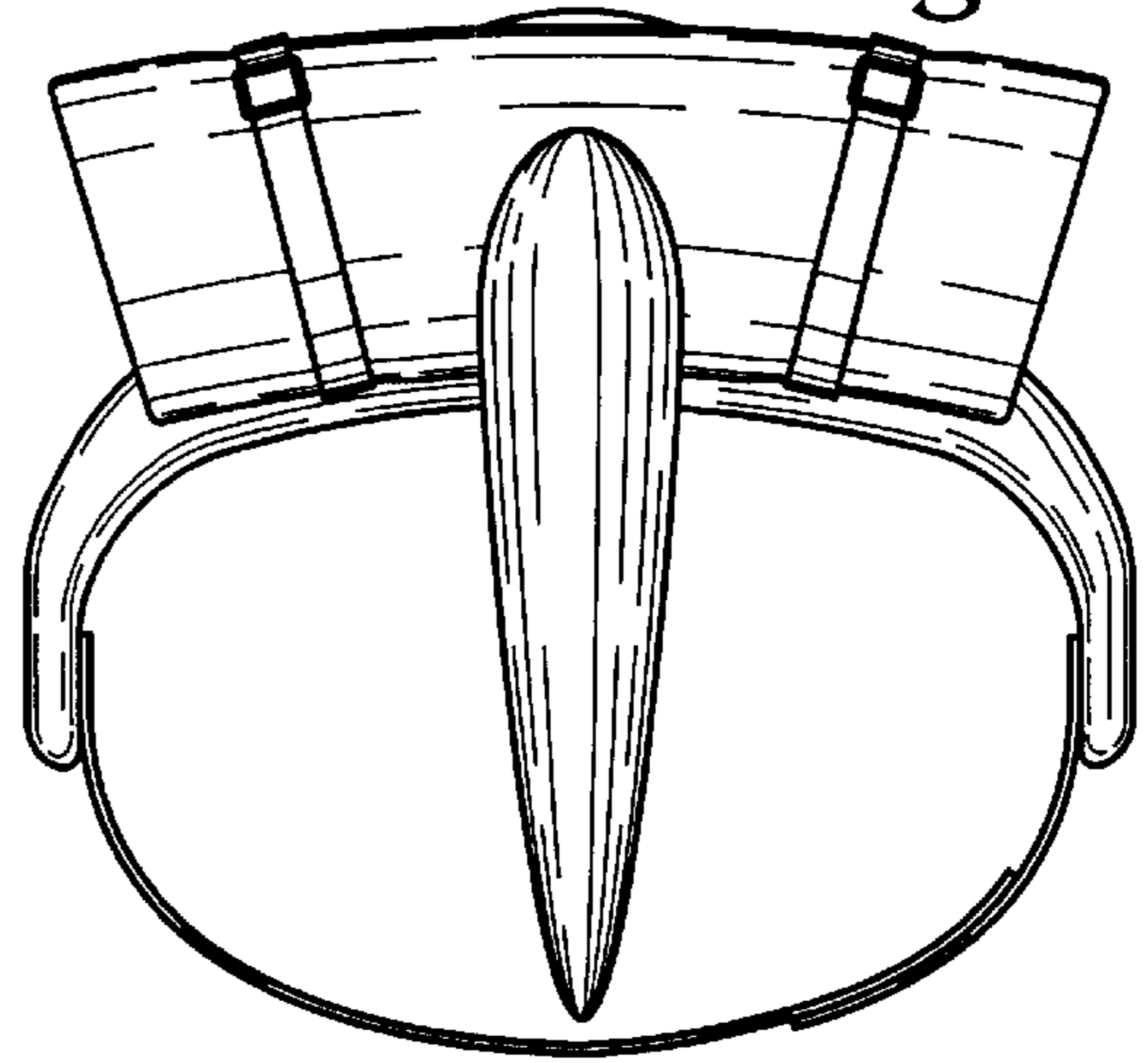


Fig. 5

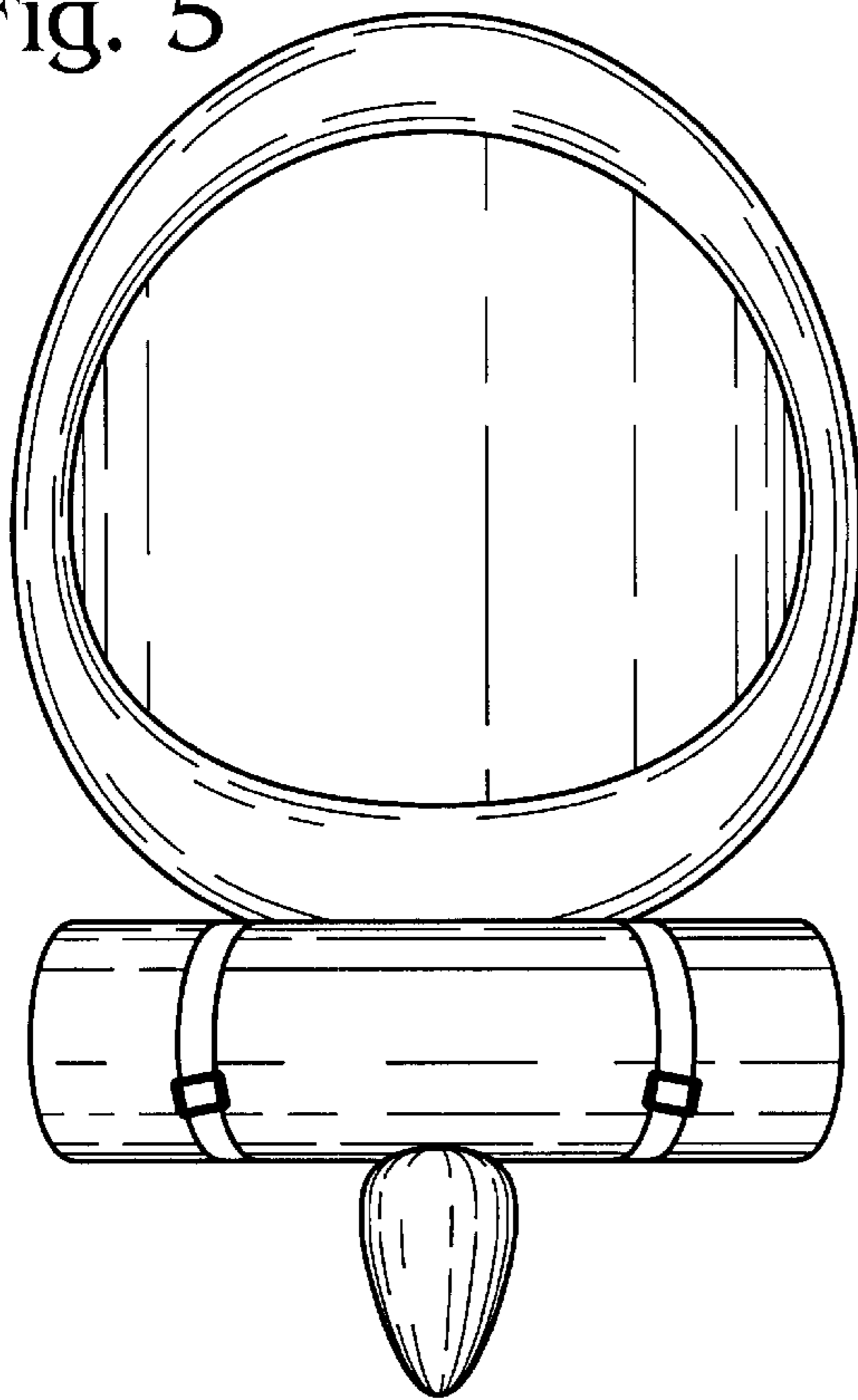


Fig. 6

