



US00D481415S

(12) **United States Design Patent**  
**Fisher et al.**

(10) **Patent No.:** **US D481,415 S**

(45) **Date of Patent:** **\*\* Oct. 28, 2003**

(54) **LABEL PRINTER**

(75) Inventors: **Richard P. Fisher**, Eden Prairie, MN (US); **Scott C. Milton**, Maplewood, MN (US)

(73) Assignee: **Brady Worldwide, Inc.**, Milwaukee, WI (US)

(\*\*) Term: **14 Years**

(21) Appl. No.: **29/155,216**

(22) Filed: **Feb. 6, 2002**

(51) **LOC (7) Cl.** ..... **18-02**

(52) **U.S. Cl.** ..... **D18/19**

(58) **Field of Search** ..... D18/36-39, 19, D18/50, 52, 53-55, 18; 156/384; 400/613, 613.1, 691-694, 120; 346/145

(56) **References Cited**

**U.S. PATENT DOCUMENTS**

- D350,150 S \* 8/1994 Weitkamp ..... D18/50
- D362,673 S \* 9/1995 Yamamoto ..... D18/19
- D418,157 S \* 12/1999 Han ..... D18/50
- D433,703 S \* 11/2000 Hosono et al. .... D18/19

- D446,544 S \* 8/2001 Platner et al. .... D18/50
- D463,484 S \* 9/2002 Kemmochi ..... D18/50

\* cited by examiner

*Primary Examiner*—Charles A. Rademaker

(74) *Attorney, Agent, or Firm*—Whyte Hirschboeck Dudek SC

(57) **CLAIM**

An ornamental design for a label printer, as shown and described.

**DESCRIPTION**

FIG. 1 is a perspective view showing our new design for a label printer.

FIG. 2 is a front elevational view thereof;

FIG. 3 is a left elevational view thereof;

FIG. 4 is a right elevational view thereof;

FIG. 5 is a top plan view thereof; and,

FIG. 6 is a rear elevational view thereof.

The broken lines shown in all figures are for illustrative environmental purposes only and form no part of the claimed design. The broken lines which define the bounds of the claimed design form no part thereof.

**1 Claim, 3 Drawing Sheets**

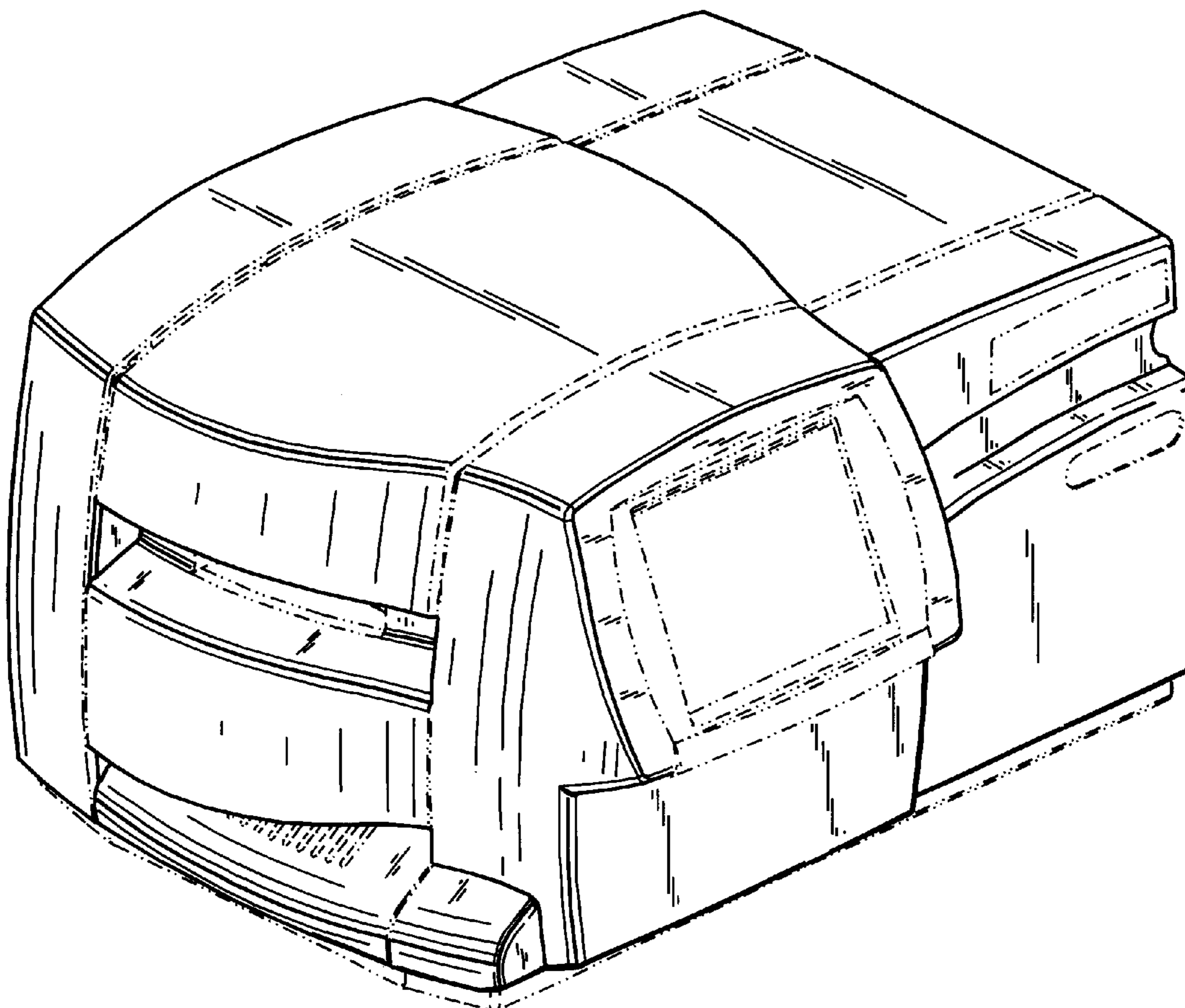


FIG. 1

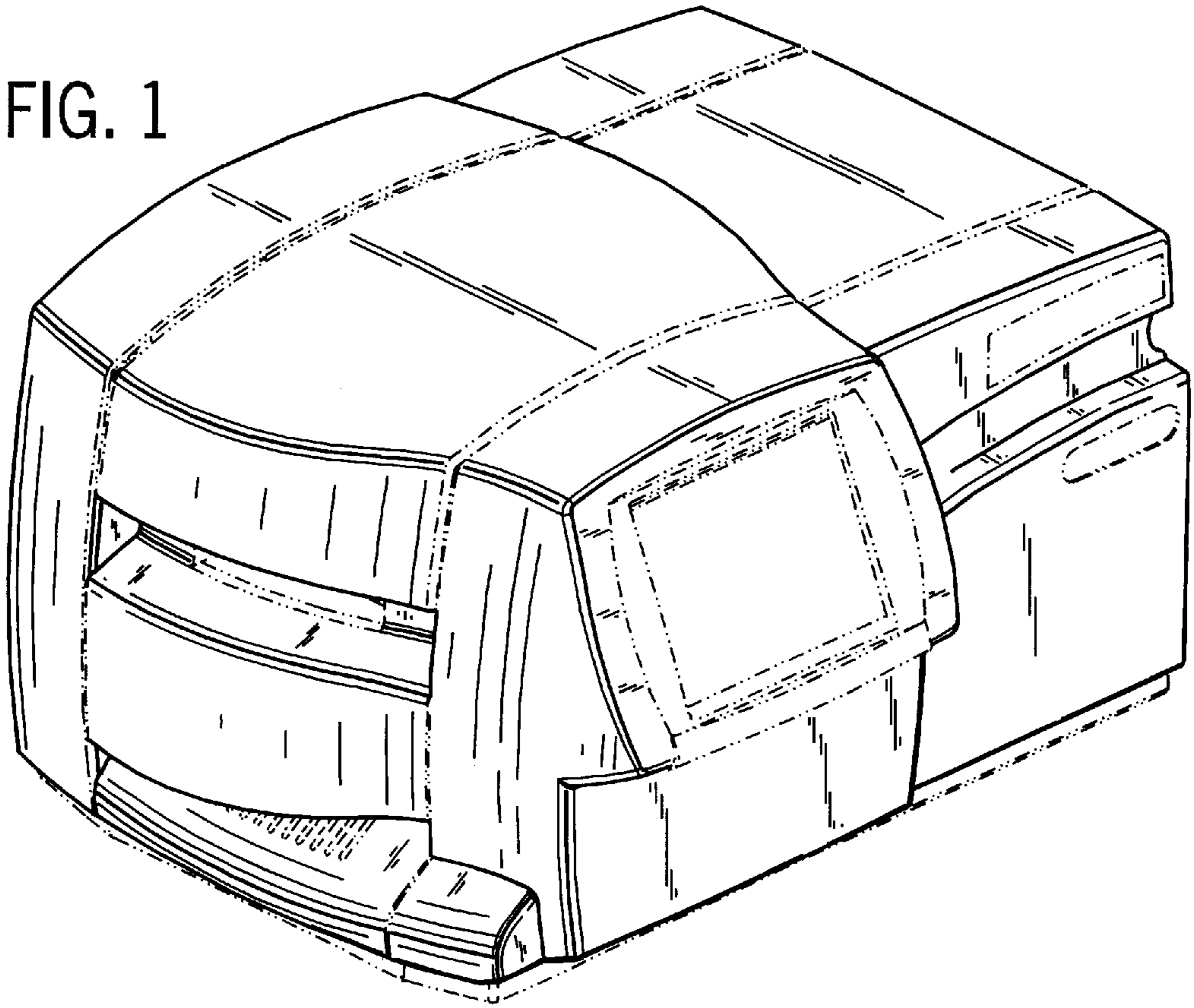


FIG. 2

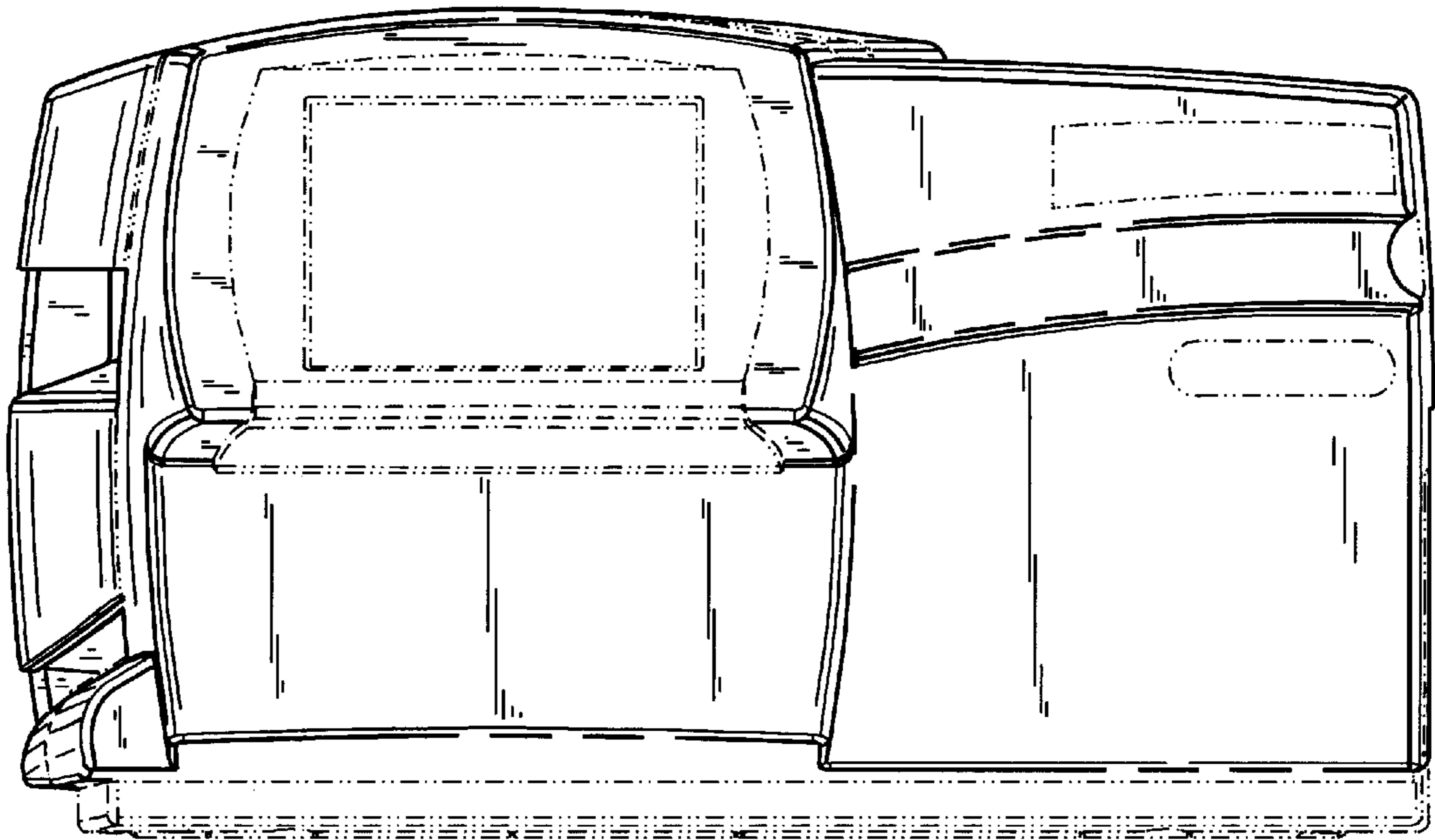


FIG. 3

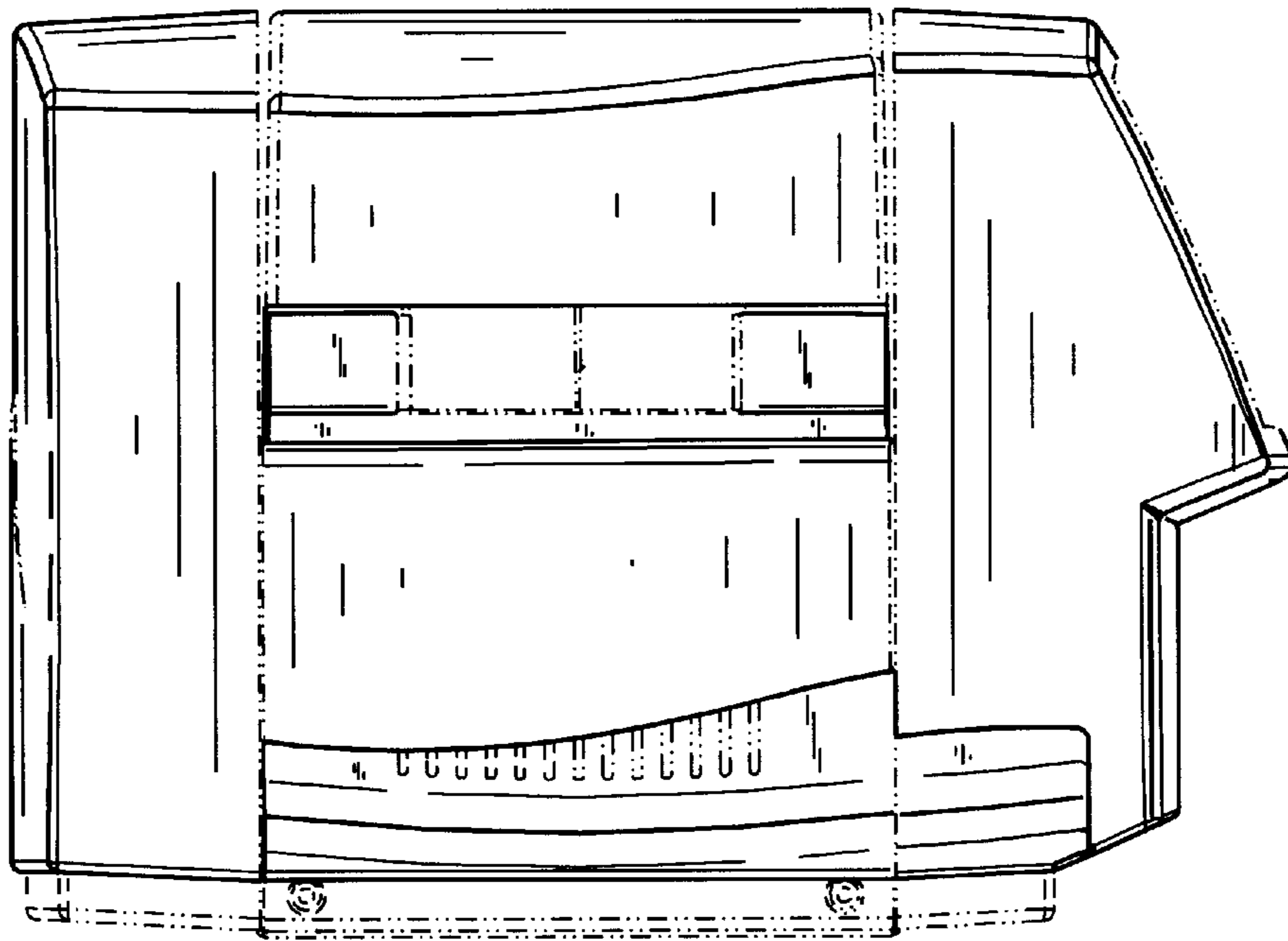


FIG. 4

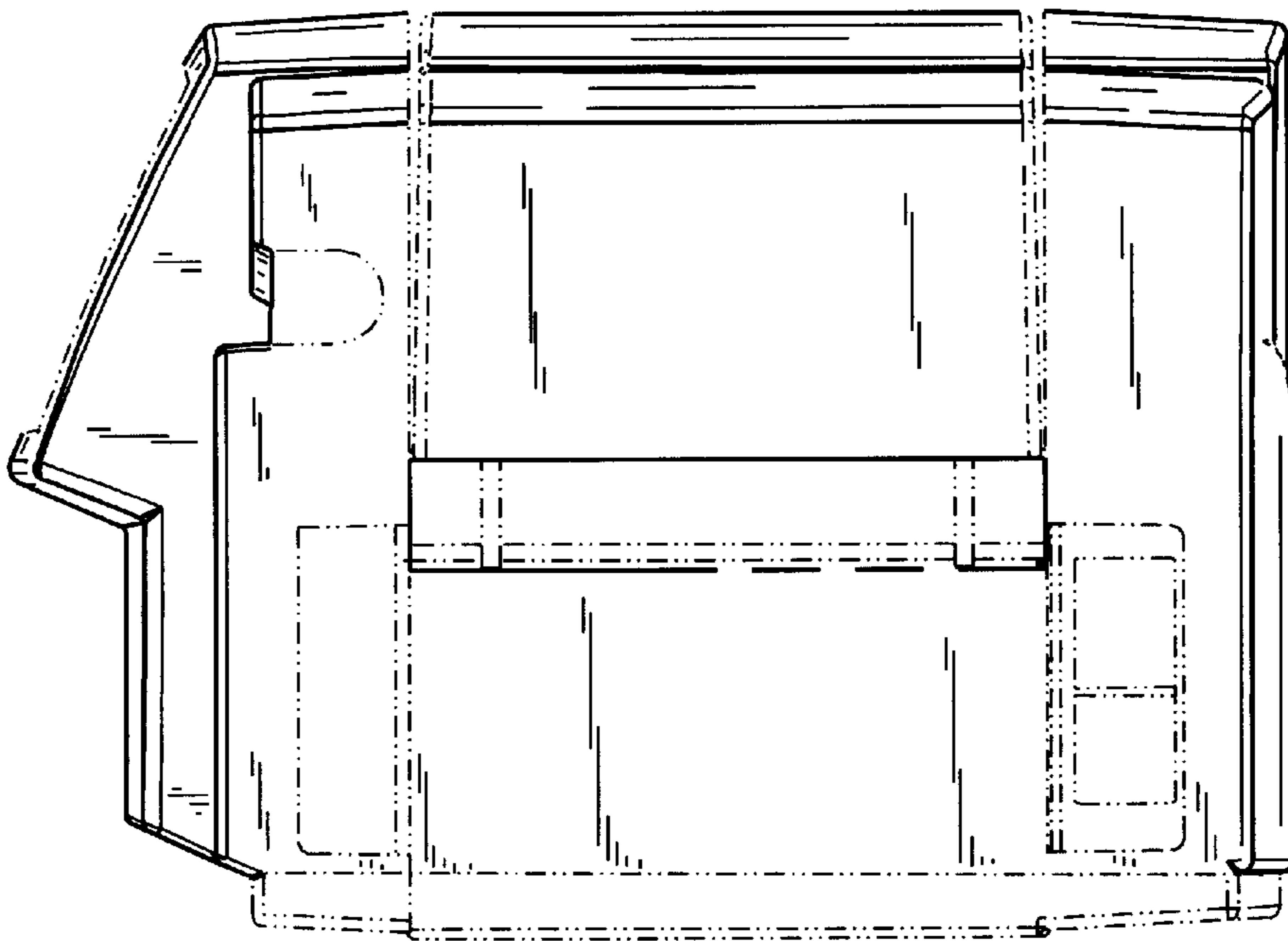


FIG. 5

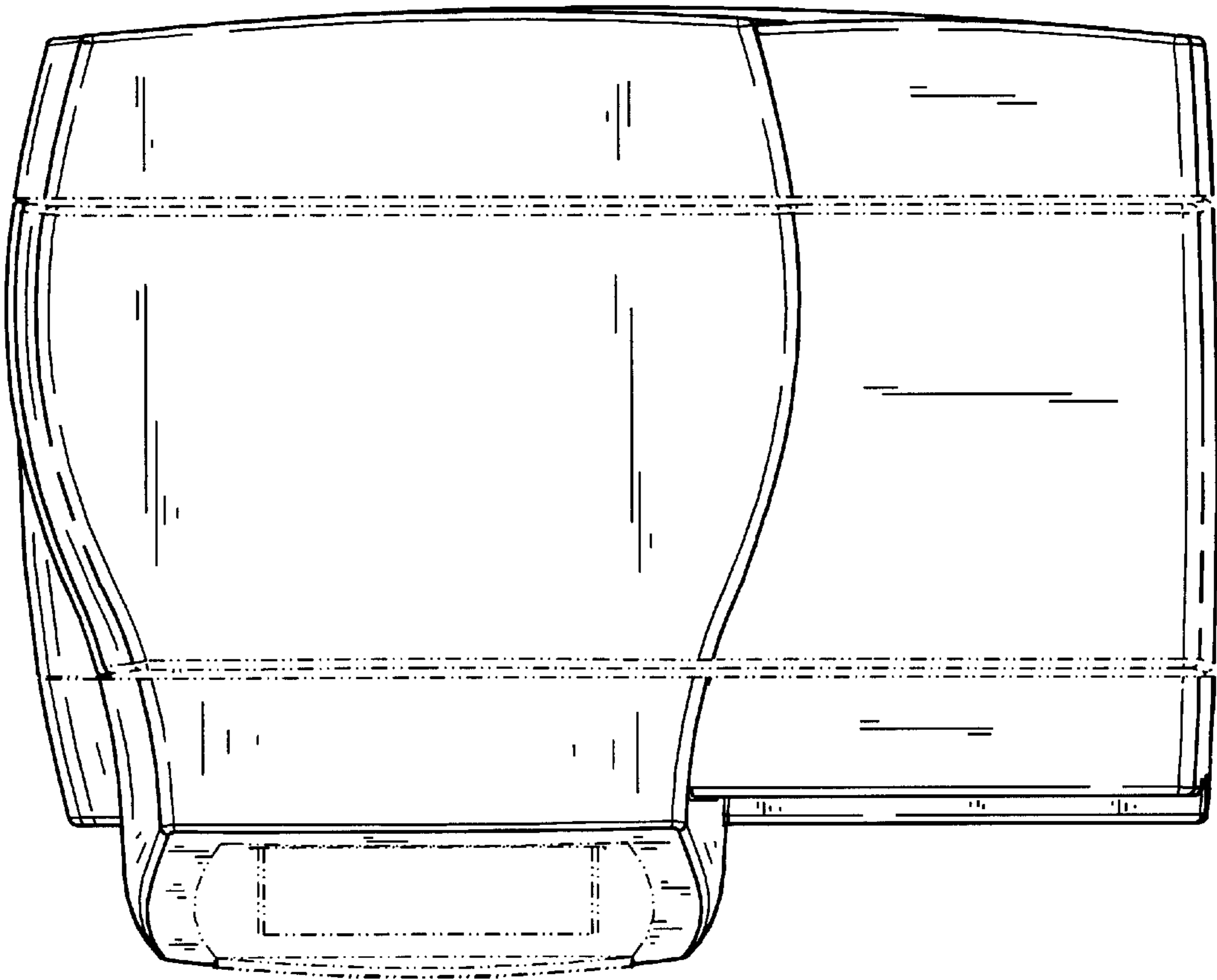


FIG. 6

