



US00D481414S

(12) **United States Design Patent**
Milton et al.

(10) **Patent No.:** **US D481,414 S**

(45) **Date of Patent:** **** Oct. 28, 2003**

(54) **LABEL PRINTER MEDIA SUPPLY
CARTRIDGE**

(75) Inventors: **Scott C. Milton**, Maplewood, MN
(US); **David J. Schouweiler, Jr.**,
Minneapolis, MN (US)

(73) Assignee: **Brady Worldwide, Inc.**, Milwaukee,
WI (US)

(**) Term: **14 Years**

(21) Appl. No.: **29/155,215**

(22) Filed: **Feb. 6, 2002**

(51) **LOC (7) Cl.** **18-02**

(52) **U.S. Cl.** **D18/18**

(58) **Field of Search** D18/18, 36-39,
D18/19, 50, 52, 53-55; 156/384; 101/93.4,
269; 400/613, 613.4, 691-694, 690.1-690.4

(56) **References Cited**

U.S. PATENT DOCUMENTS

D218,805 S	*	9/1970	Stone	220/4.21
D218,806 S	*	9/1970	Berg	D18/43
D417,886 S	*	12/1999	Sakuta et al.	D18/56
D419,183 S	*	1/2000	Stouffer	D18/56
D436,617 S		1/2001	Feitel et al.	D18/55
D466,150 S	*	11/2002	Matsumoto et al.	D18/56

OTHER PUBLICATIONS

Brochure—Brady® Make-It-Yourself Products, It's Important to use the Right Tool for the Right Job, Brady Worldwide, Inc., 1999.

Brochure—Brady® Graphic Solutions, GraphicsPro™ Label & Sign Creator Offers the Convenience of Custom Labels and Signs at the Touch of a Fingertip, W.H. Bray Co./Brady USA, Inc., 1997.

Brochure—Impressa 2 digital label & decal press, Print and Cut Your Own Full-Color Labels and Decals in any Size or Shape!, pp. 1-6, Primera Technology, Inc., 1998.

Brochure—ColorCAMM PRO Versatility, Roland DGA Corporation, 2000.

Brochure—The Future of Sign Making is here, Gerber Edge, Gerber Scientific Products, Inc., 1994.

* cited by examiner

Primary Examiner—Charles A. Rademaker

(74) *Attorney, Agent, or Firm*—Whyte Hirschboeck Dudek SC

(57) **CLAIM**

An ornamental design for a label printer media supply cartridge, as shown and described.

DESCRIPTION

FIG. 1 is a front perspective view of a label printer media supply cartridge showing our new design;

FIG. 2 is a front view thereof;

FIG. 3 is a top view thereof;

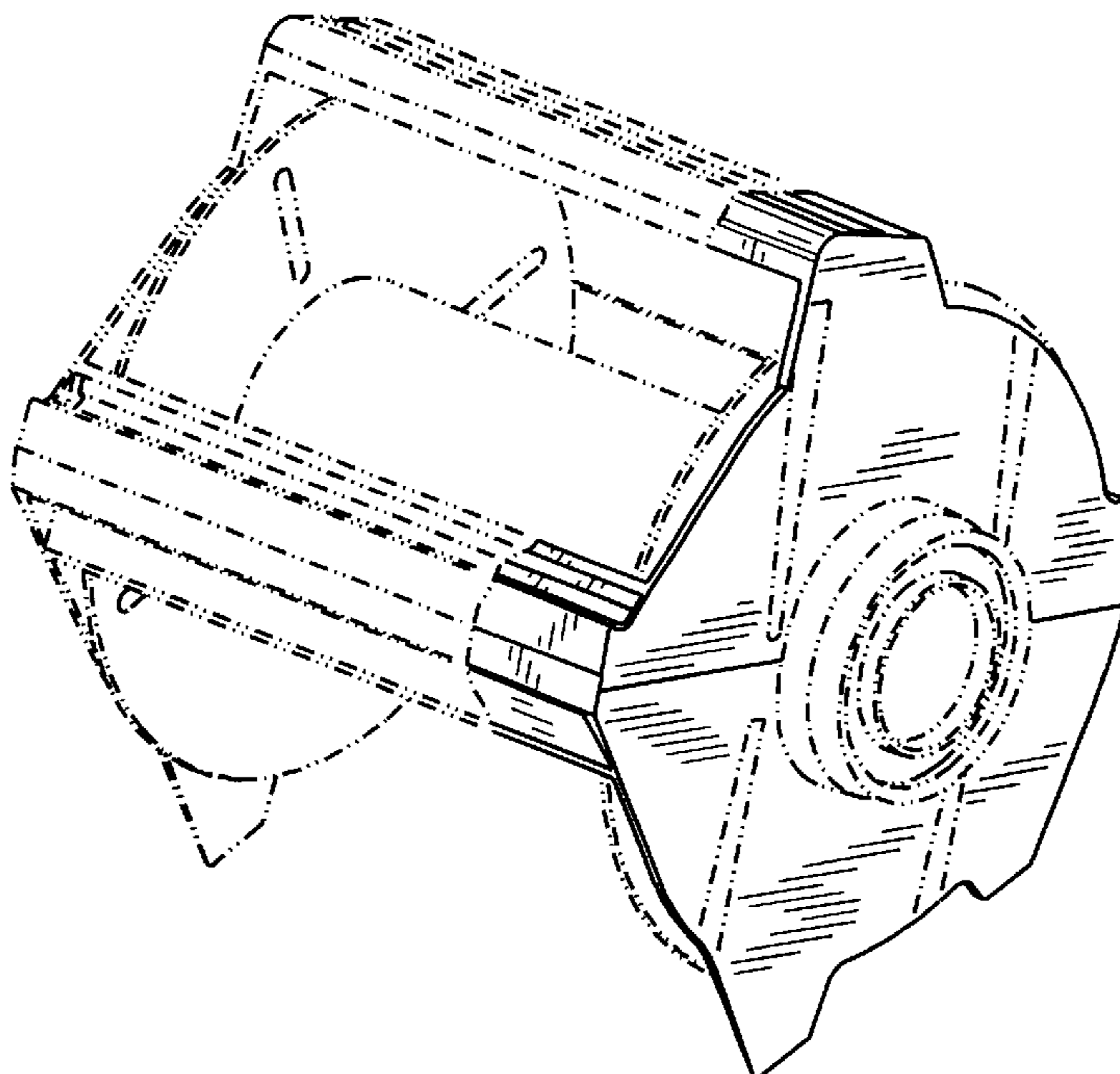
FIG. 4 is a right side view thereof;

FIG. 5 is a rear view thereof; and,

FIG. 6 is a bottom view thereof.

The broken lines shown in all figures are for illustrative environmental purposes only and form no part of the claimed design. The broken lines which define the bounds of the claimed design form no part thereof.

1 Claim, 3 Drawing Sheets



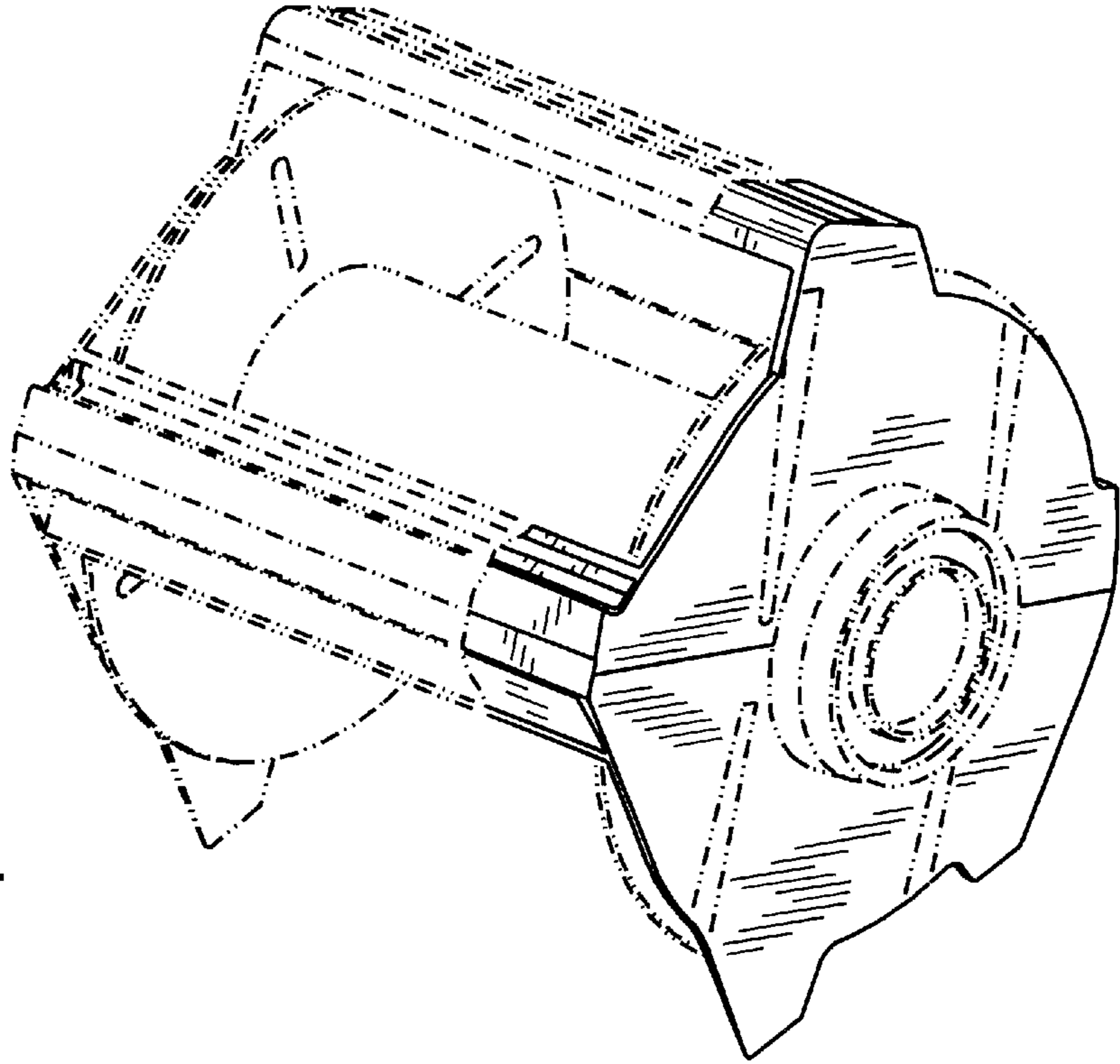


FIG. 1

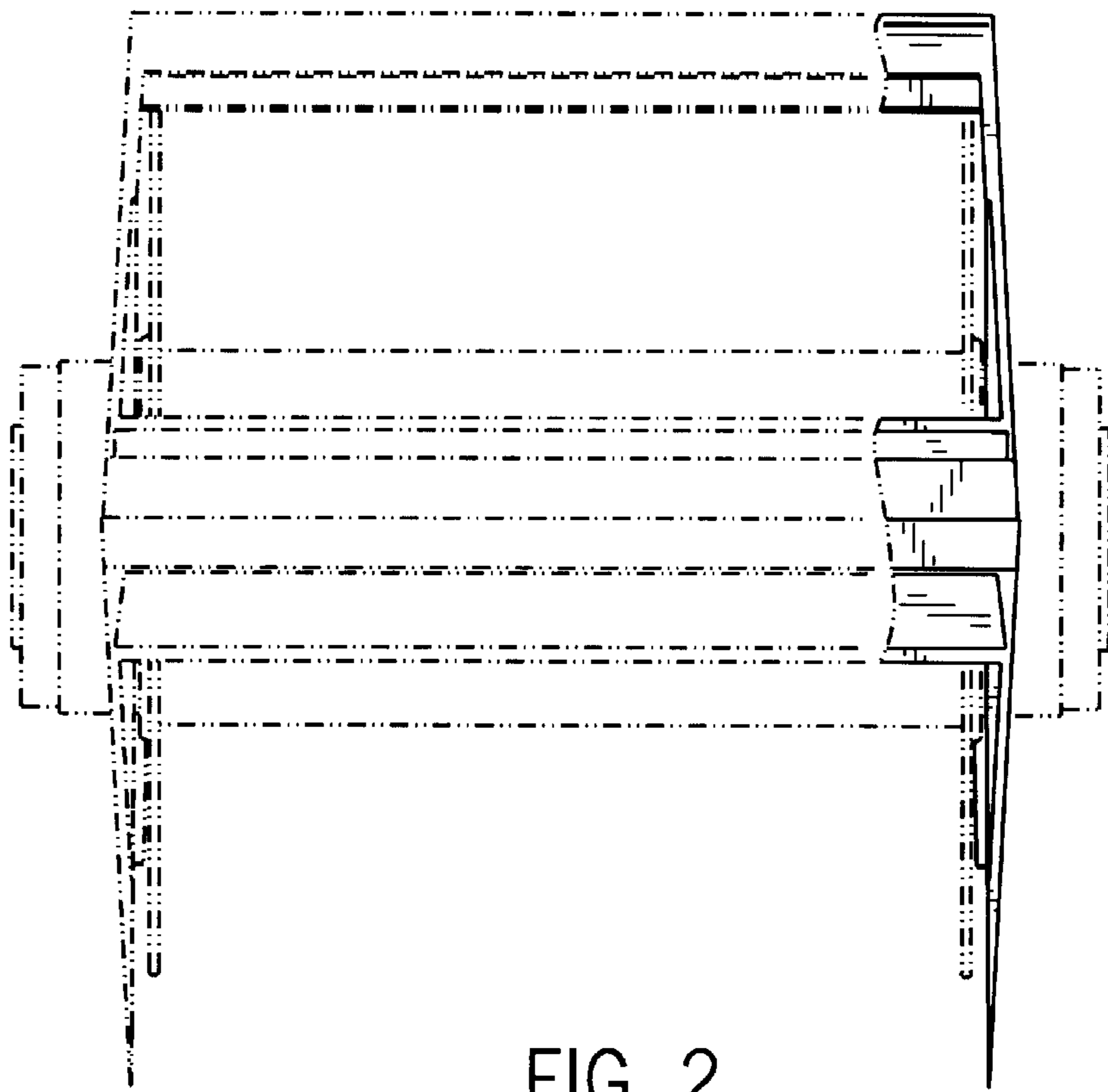


FIG. 2

FIG. 3

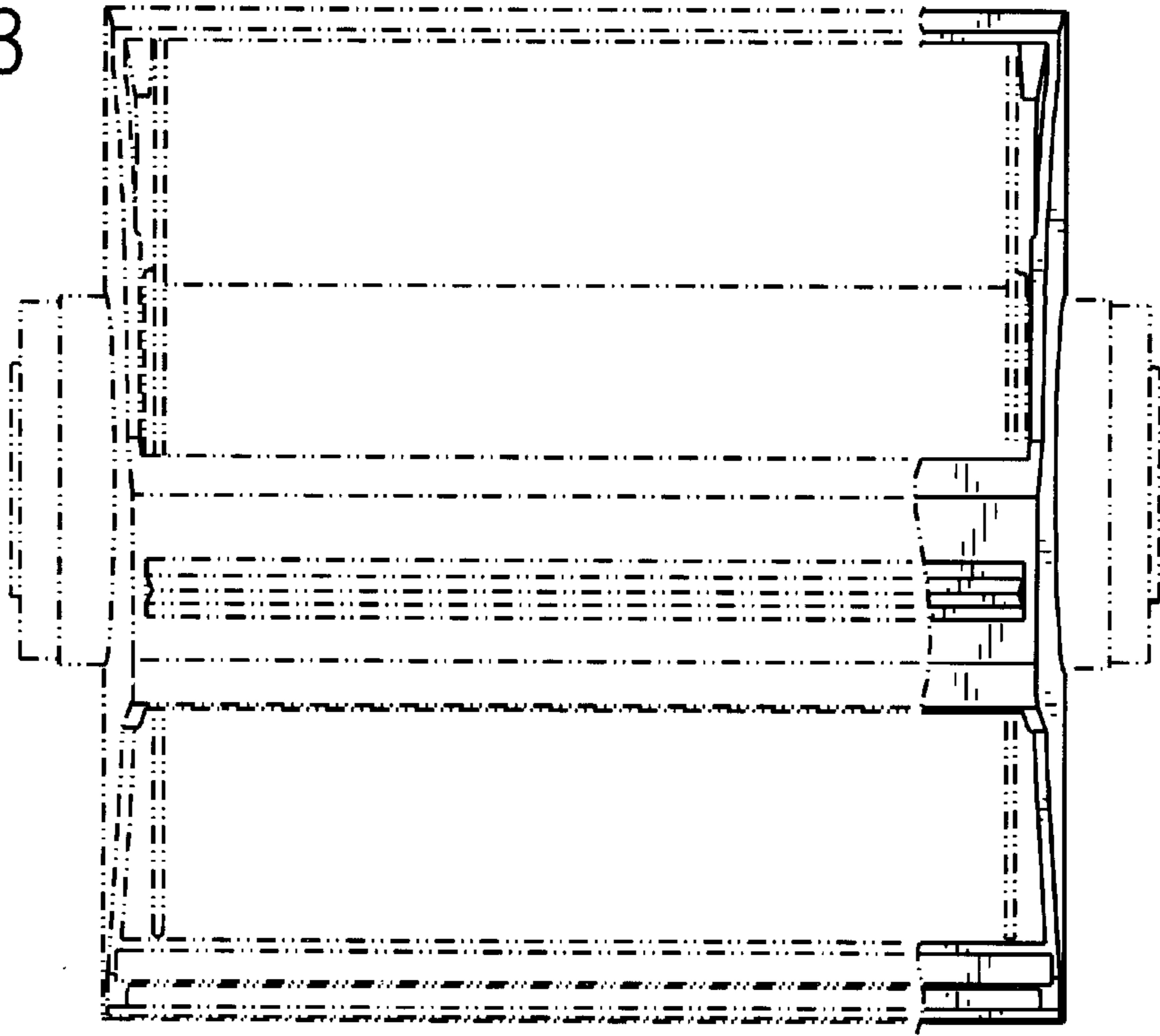


FIG. 4

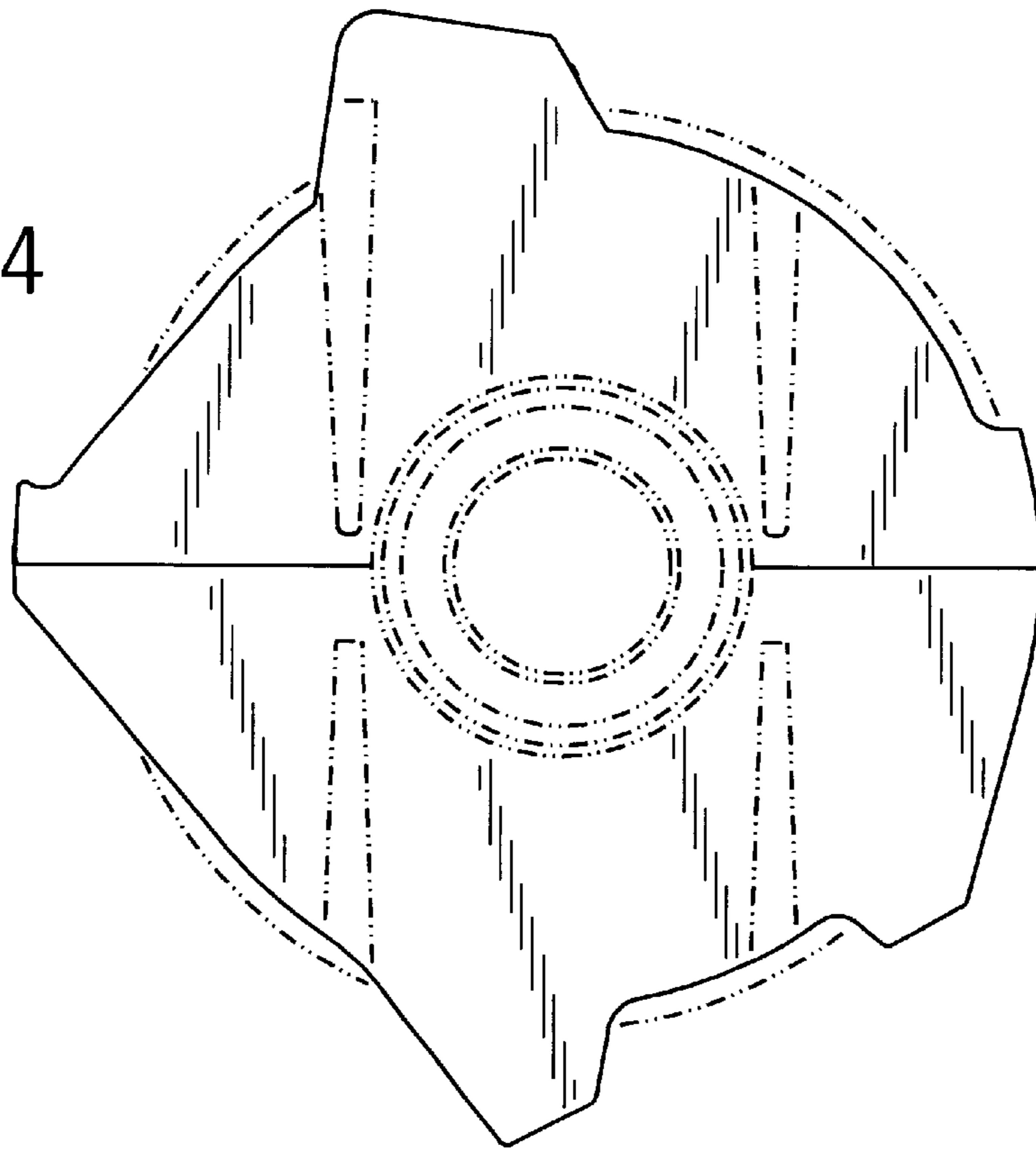


FIG. 5

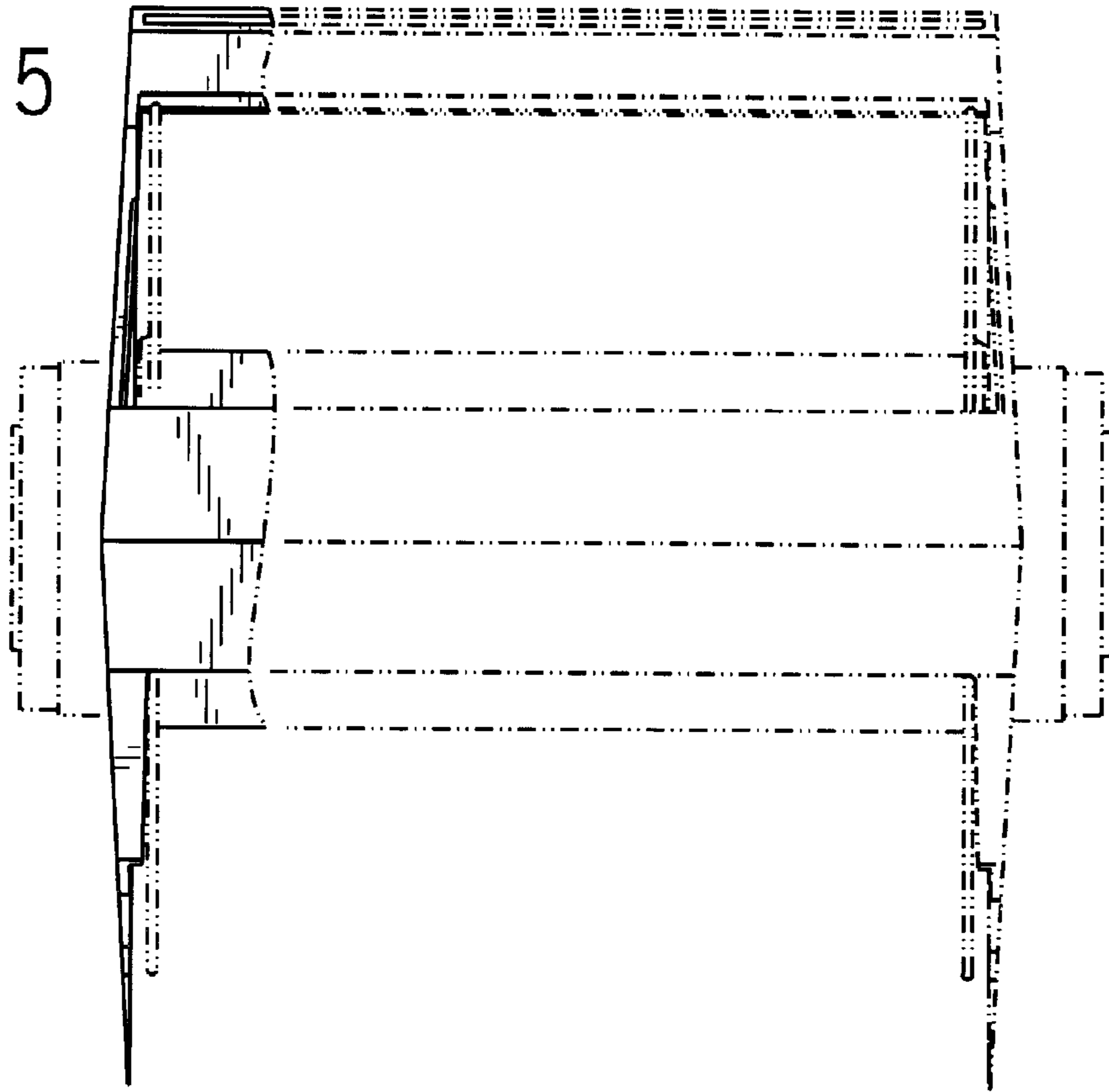


FIG. 6

