



US00D481411S

(12) **United States Design Patent**  
**Minarik**

(10) **Patent No.:** **US D481,411 S**

(45) **Date of Patent:** **\*\* Oct. 28, 2003**

(54) **FRONT OF A GUITAR BODY**

(76) **Inventor:** **Marc E. Minarik**, 413 Ross St.,  
Glendale, CA (US) 91207

(\*\*) **Term:** **14 Years**

(21) **Appl. No.:** **29/172,115**

(22) **Filed:** **Dec. 6, 2002**

(51) **LOC (7) Cl.** ..... **17-03**

(52) **U.S. Cl.** ..... **D17/20**

(58) **Field of Search** ..... D17/14-15, 17-21,  
D17/99; D1/111, 106; D32/43; 84/267

(56) **References Cited**

**U.S. PATENT DOCUMENTS**

D265,833 S	*	8/1982	Sciuto	.....	D17/14
D277,292 S	*	1/1985	Leifheit	.....	D17/19
D280,207 S	*	8/1985	Edwards	.....	D17/18
D280,208 S	*	8/1985	Edwards	.....	D17/19
D280,520 S	*	9/1985	Edwards	.....	D17/18

D292,217 S 10/1987 Giron, III

D340,737 S 10/1993 Sandberg

D375,113 S 10/1996 D'Arby

\* cited by examiner

*Primary Examiner*—Ruth McInroy

(74) *Attorney, Agent, or Firm*—Richard C. Litman

(57) **CLAIM**

The ornamental design for a front of a guitar body, as shown and described.

**DESCRIPTION**

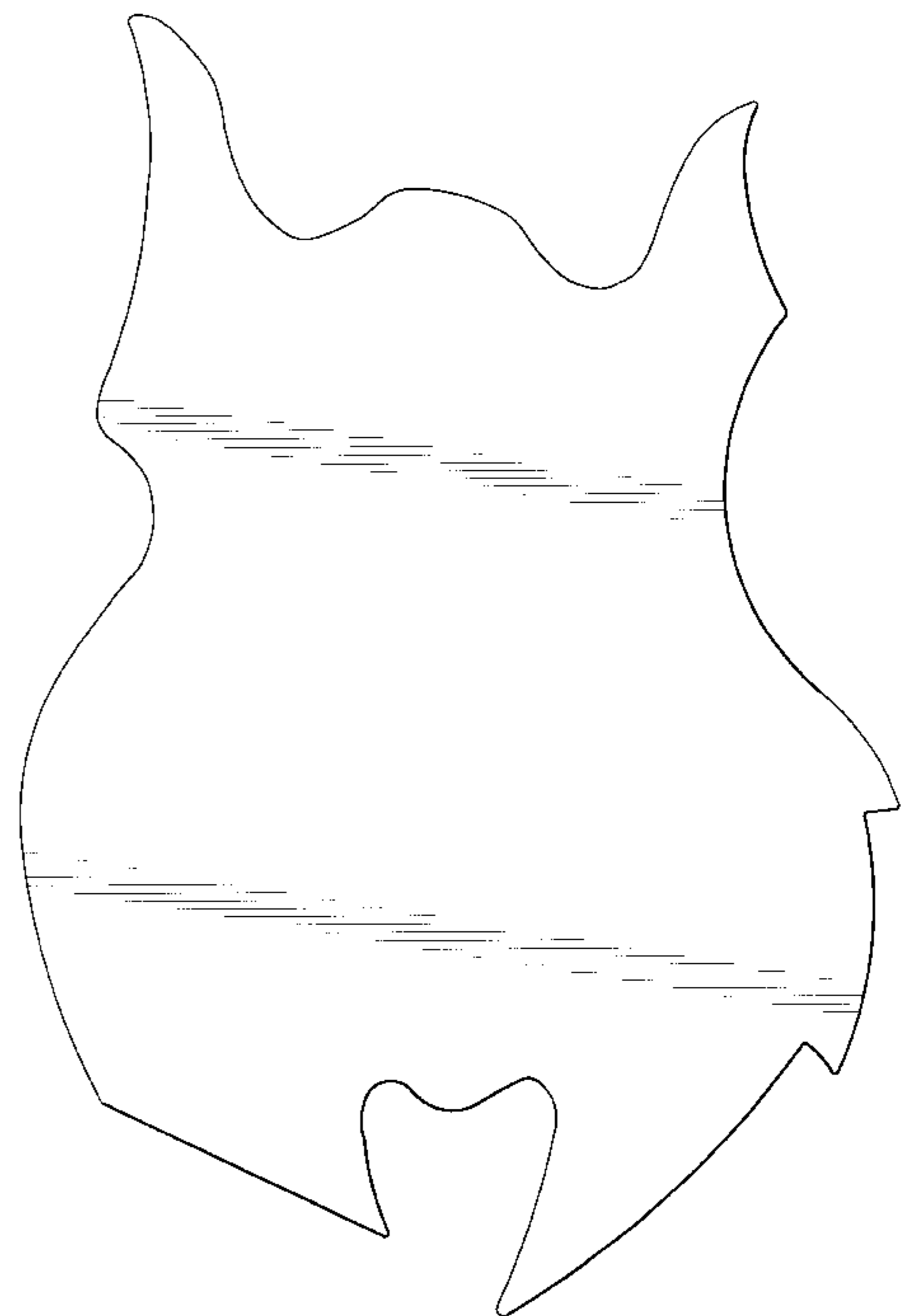
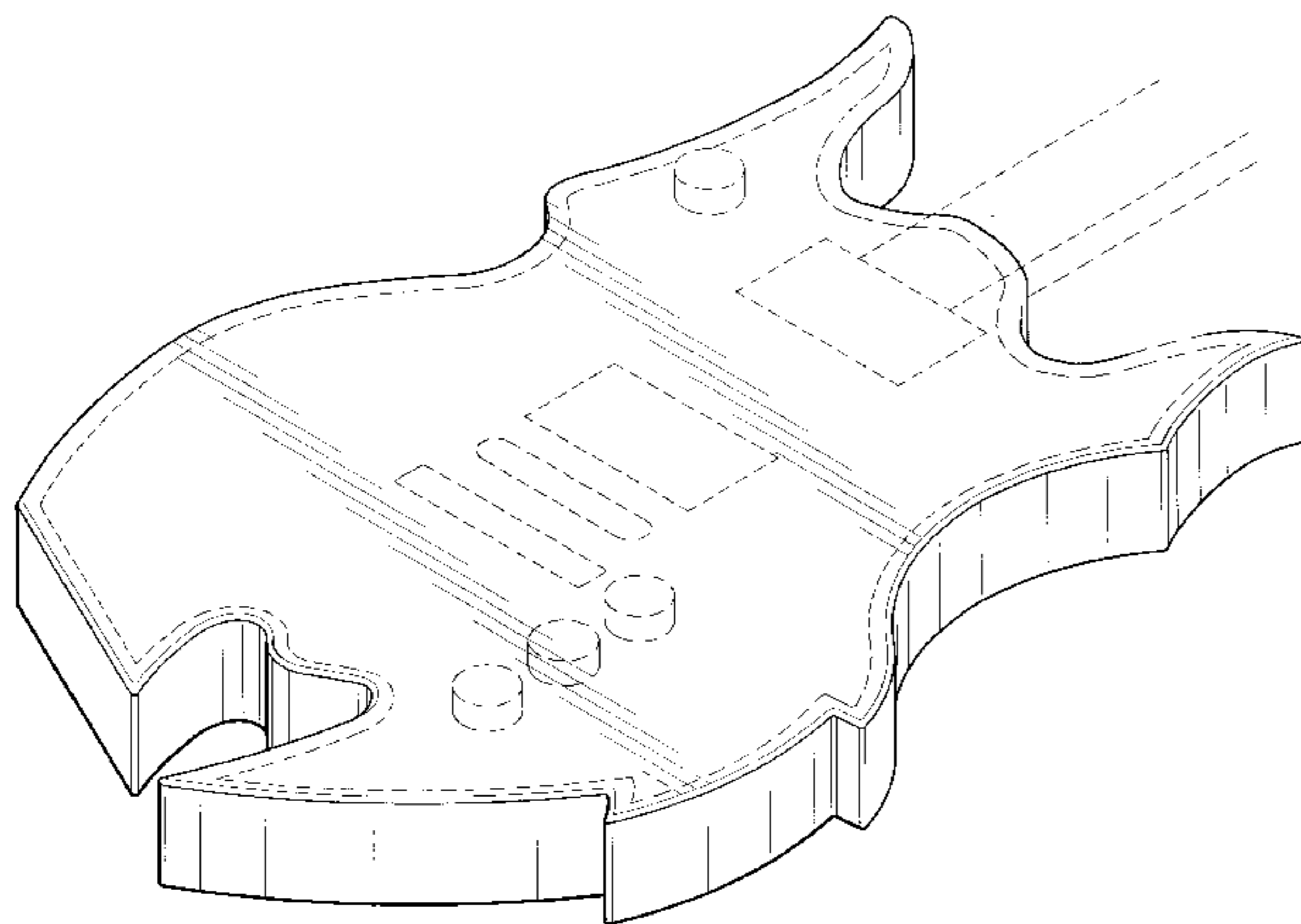
FIG. 1 is a front perspective view of a front of a guitar body showing my new design;

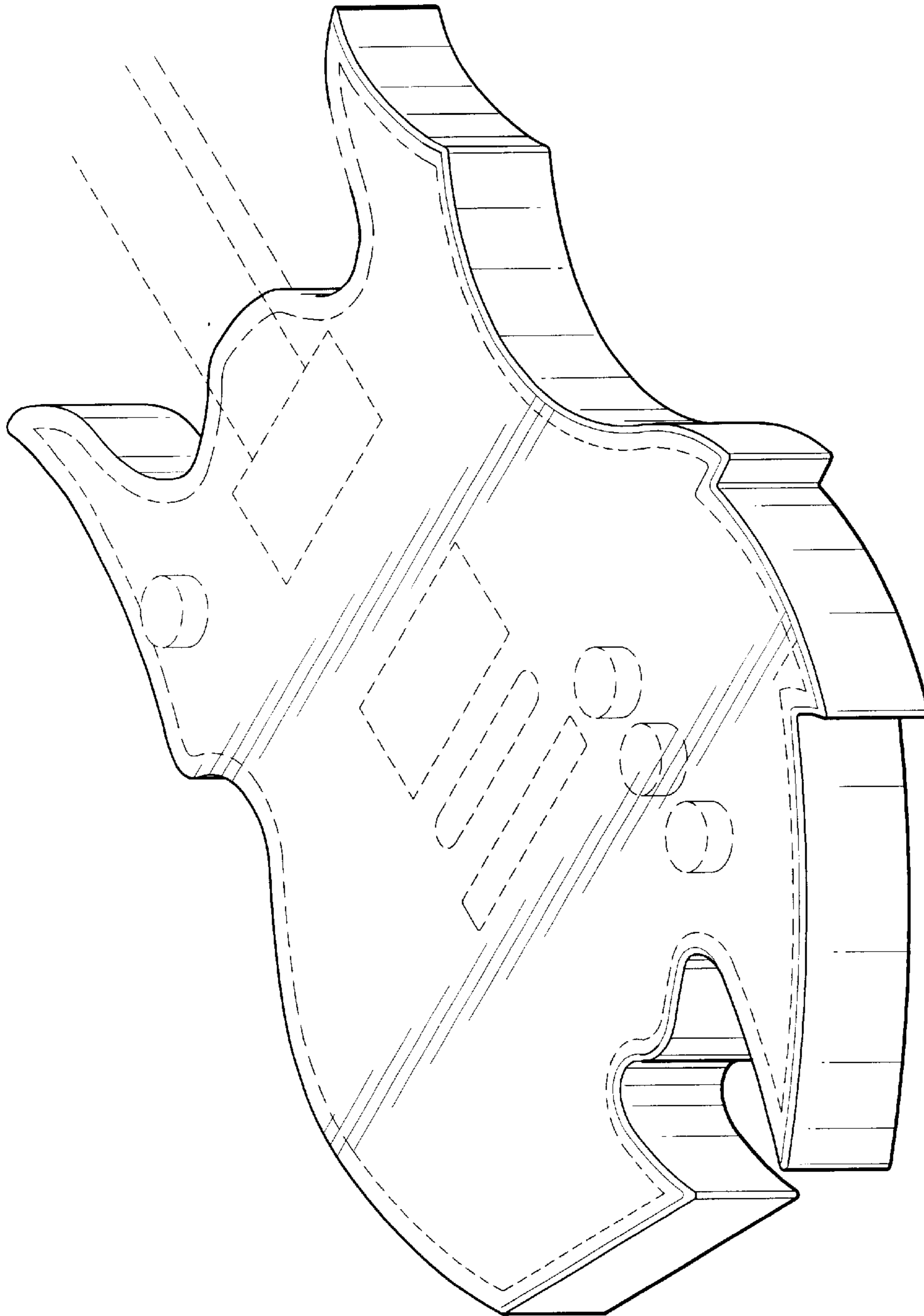
FIG. 2 is a front elevational view thereof; and,

FIG. 3 is a front perspective view thereof.

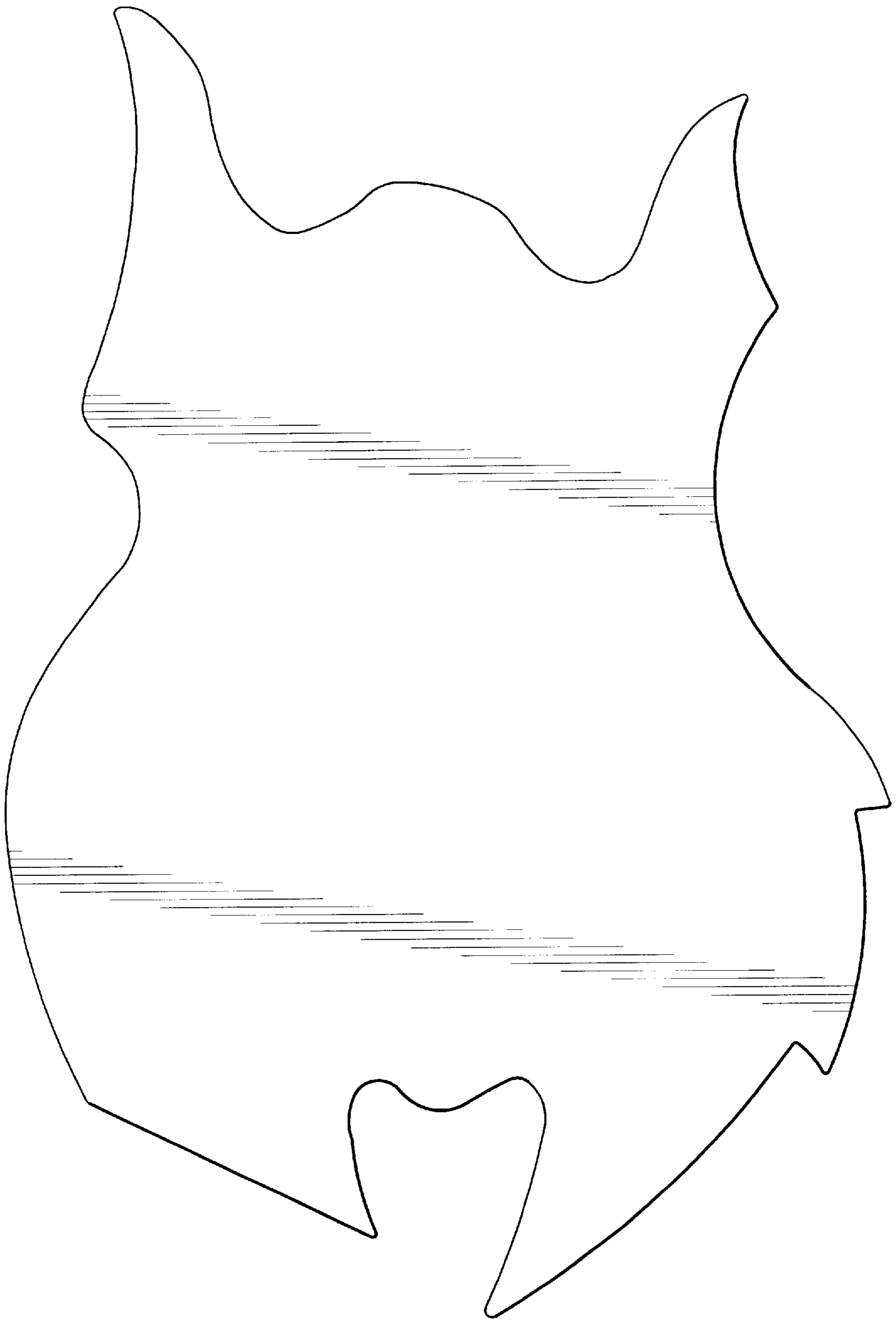
The broken line showing in FIG. 1 is for illustrative purposes only and forms no part of the claimed design.

**1 Claim, 3 Drawing Sheets**

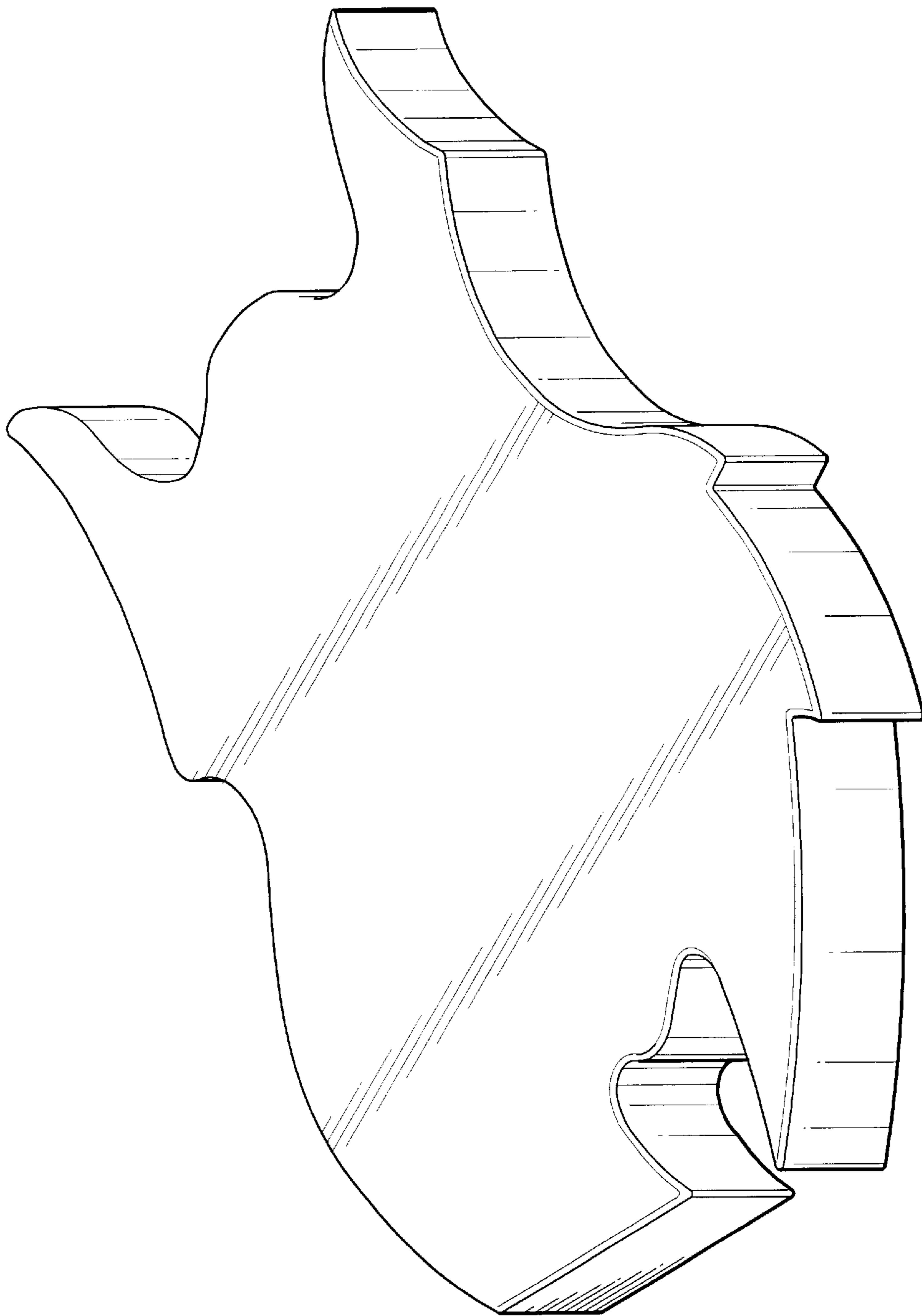




**Fig. 1**



**Fig. 2**



**Fig. 3**