



US00D481409S

(12) **United States Design Patent**  
**Matsumura et al.**

(10) **Patent No.:** **US D481,409 S**  
(45) **Date of Patent:** **\*\* Oct. 28, 2003**

(54) **SINGLE-LENS REFLEX CAMERA**  
(75) Inventors: **Yoshiyuki Matsumura**, Yokosuka (JP);  
**Hiroshi Sano**, Yokohama (JP);  
**Kenosuke Chujo**, Tokyo (JP); **Hitoshi Takaono**, Tokyo (JP)

(73) Assignee: **Canon Kabushiki Kaisha**, Tokyo (JP)  
(\*\*) Term: **14 Years**

(21) Appl. No.: **29/170,205**  
(22) Filed: **Nov. 4, 2002**

(30) **Foreign Application Priority Data**  
May 7, 2002 (JP) ..... 2002-011909  
(51) **LOC (7) Cl.** ..... **16-05**  
(52) **U.S. Cl.** ..... **D16/219; D16/217**  
(58) **Field of Search** ..... **D16/200-205,**  
**D16/208, 209, 216, 217, 218, 219; 396/354-359,**  
**175, 176, 535-541**

(56) **References Cited**  
**U.S. PATENT DOCUMENTS**  
D316,720 S 5/1991 Sano ..... D16/202  
D318,678 S \* 7/1991 Tanaka et al. .... D16/217  
5,253,003 A \* 10/1993 Fujii et al. .... 396/175  
D418,530 S \* 1/2000 Tanaka et al. .... D16/217

D439,922 S \* 4/2001 Kumakura ..... D16/217  
D446,235 S 8/2001 Morishita et al. .... D16/217  
D451,940 S \* 12/2001 Haga ..... D16/217  
D471,222 S \* 3/2003 Matsumura ..... D16/217

\* cited by examiner

*Primary Examiner*—Adir Aronovich

(74) *Attorney, Agent, or Firm*—Fitzpatrick, Cella, Harper & Scinto

(57) **CLAIM**

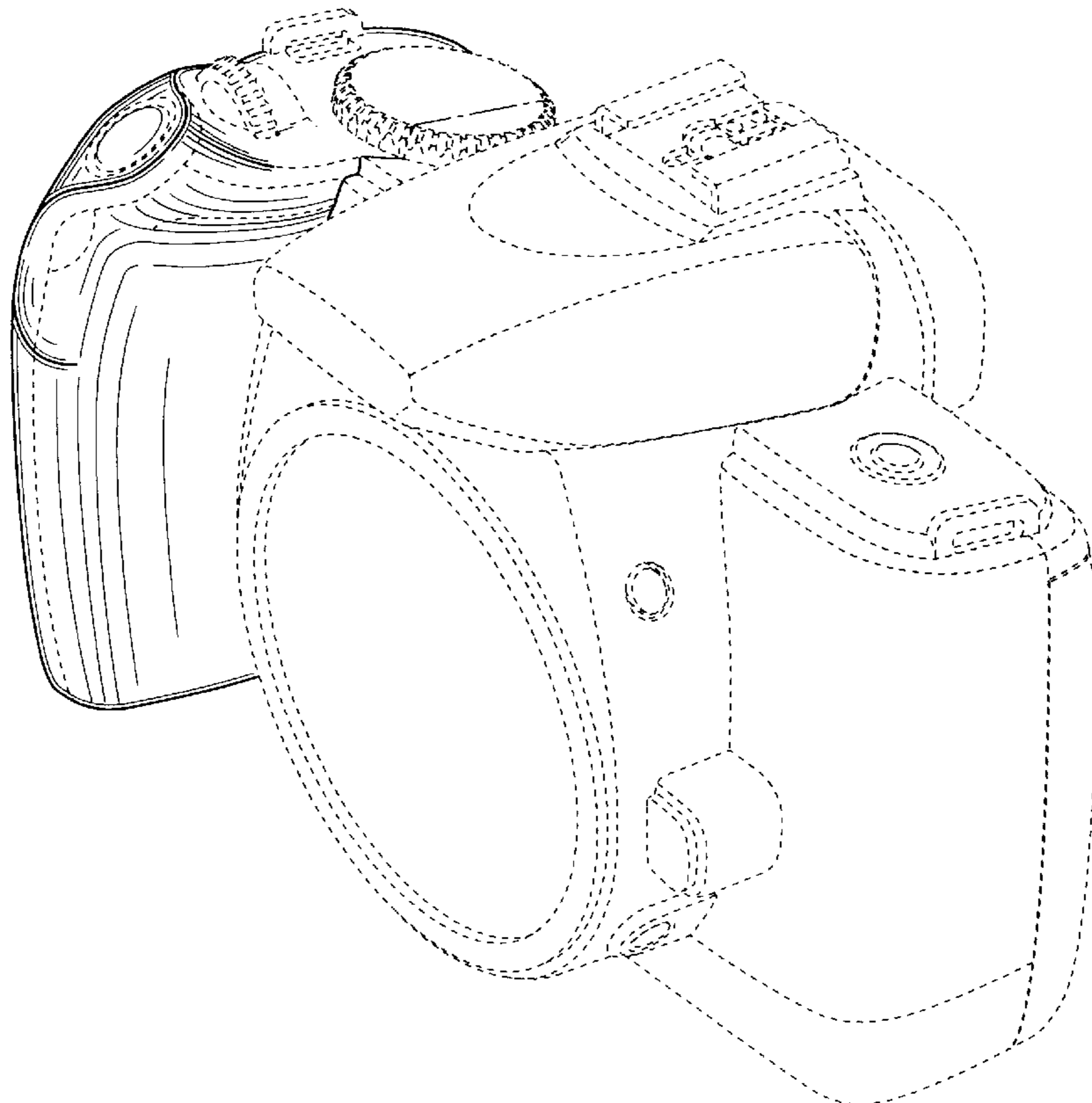
The ornamental design for a single-lens reflex camera, as shown and described.

**DESCRIPTION**

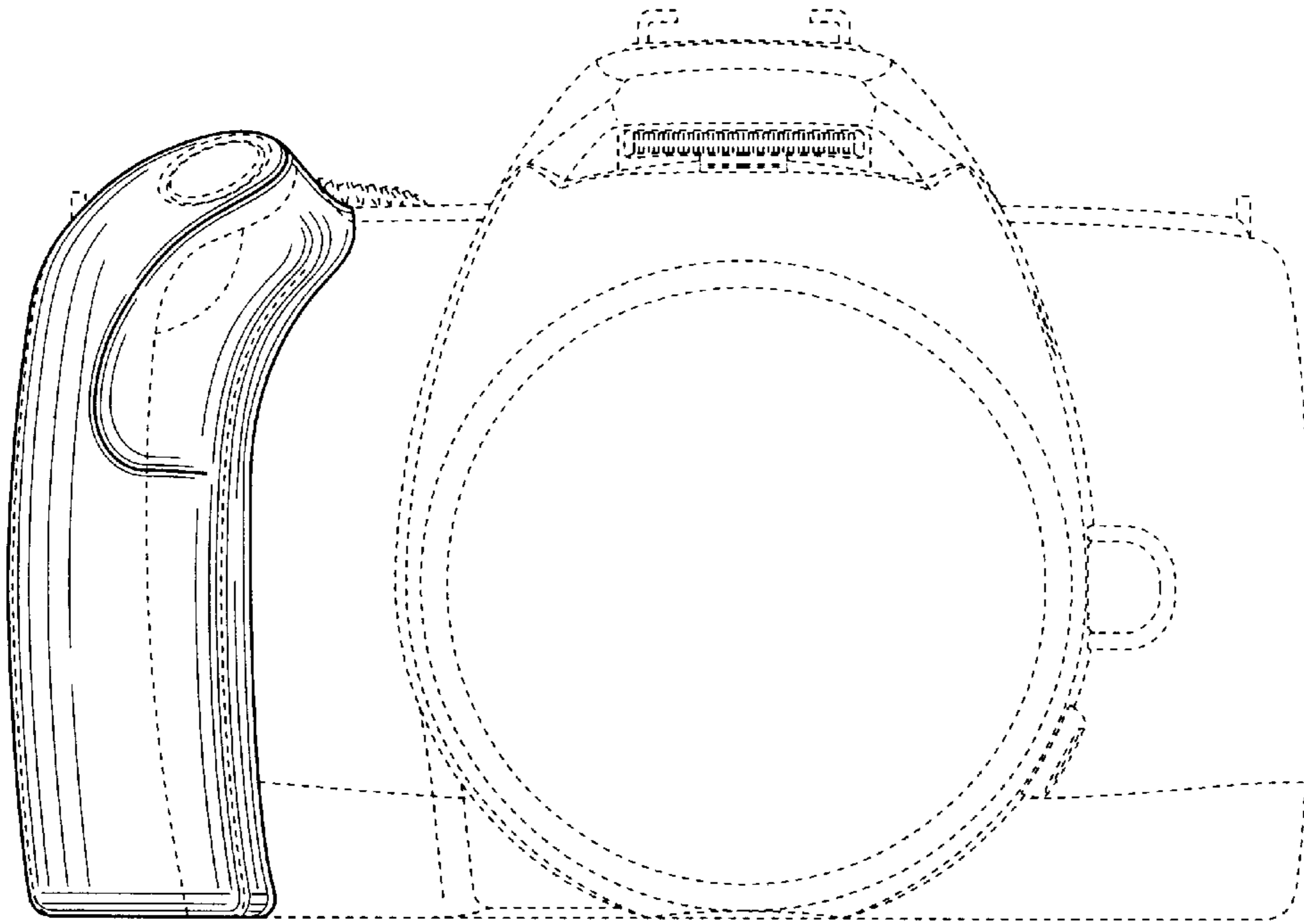
FIG. 1 is a front view of a single-lens reflex camera showing our new design;  
FIG. 2 is a rear view thereof;  
FIG. 3 is a top plan view thereof;  
FIG. 4 is a bottom plan view thereof;  
FIG. 5 is a left side view thereof;  
FIG. 6 is a right side view thereof; and,  
FIG. 7 is a perspective view thereof.

The portions of the article in broken lines are shown for illustrative purposes only and form no part of the claimed design. The chain-link broken lines define the bounds of the claimed design but form no part thereof.

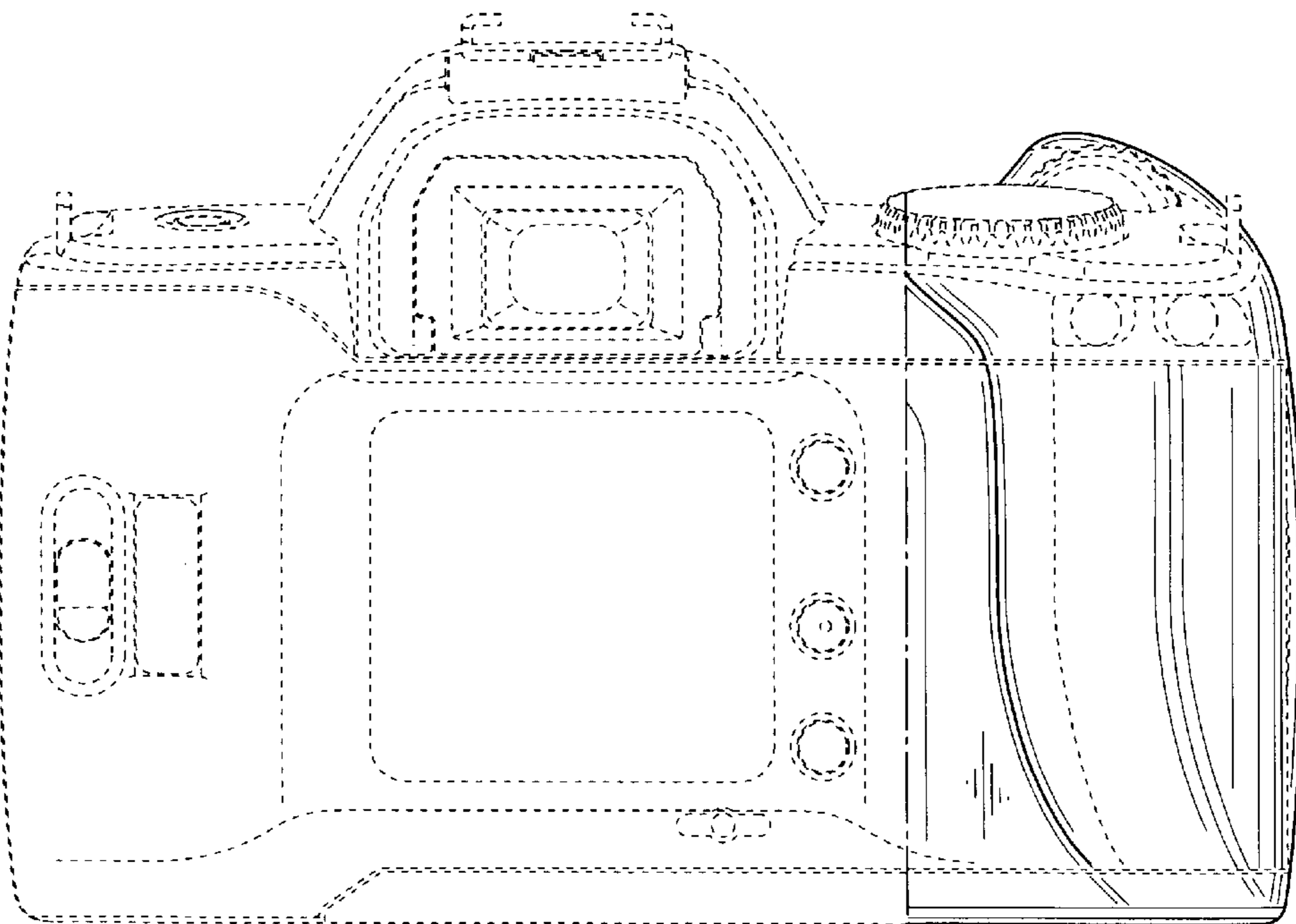
**1 Claim, 4 Drawing Sheets**



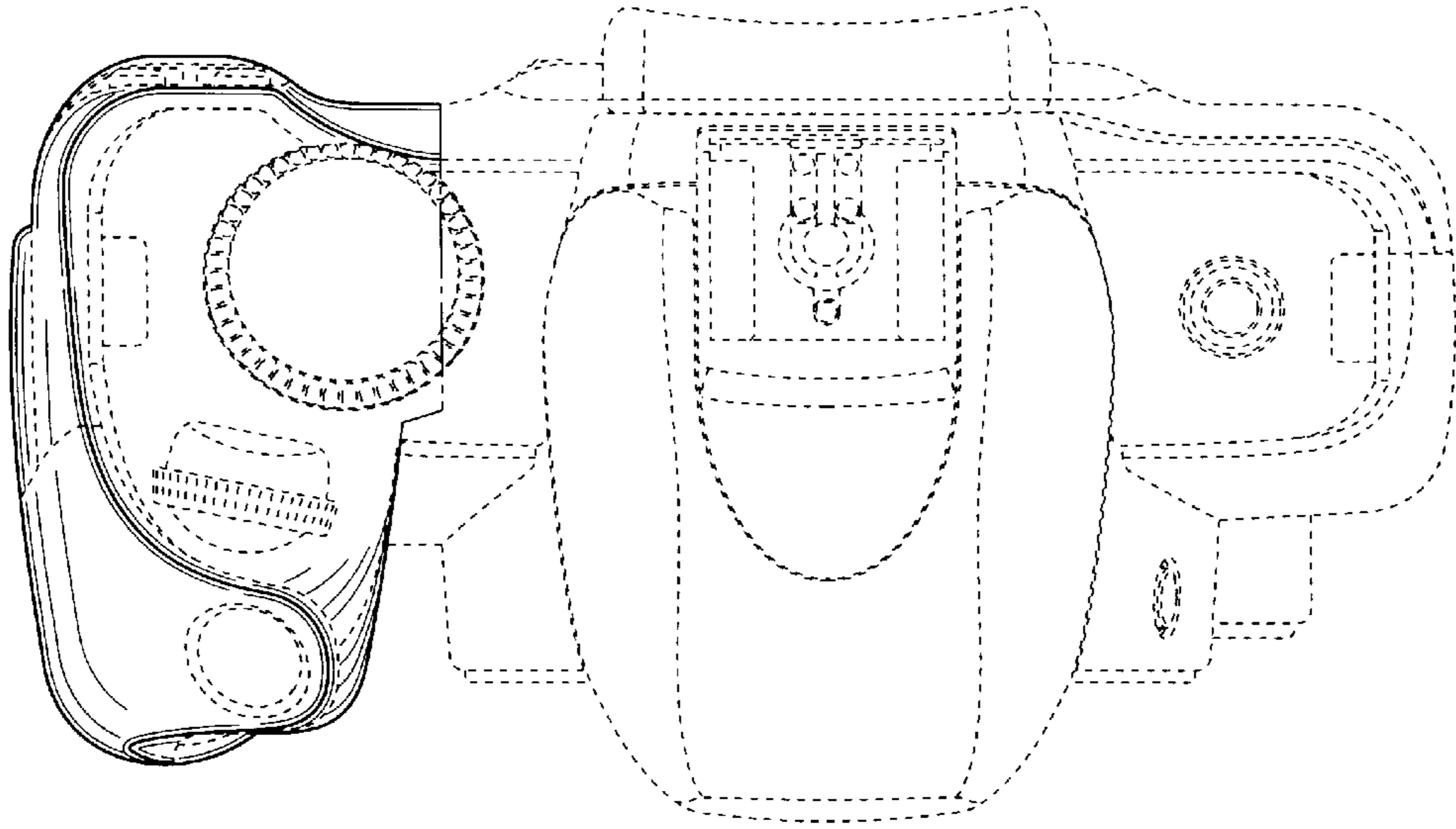
**FIG. 1**



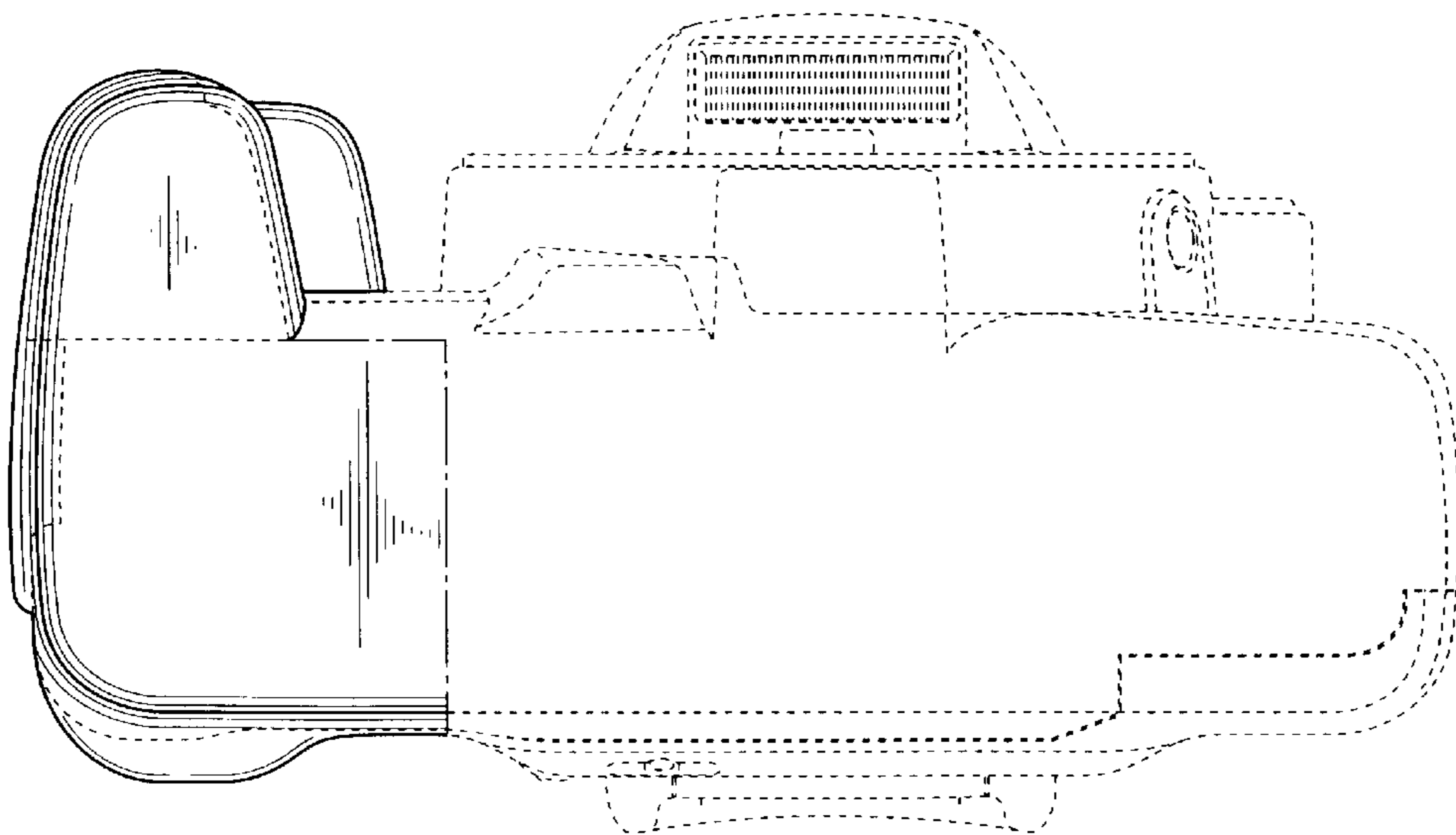
**FIG. 2**



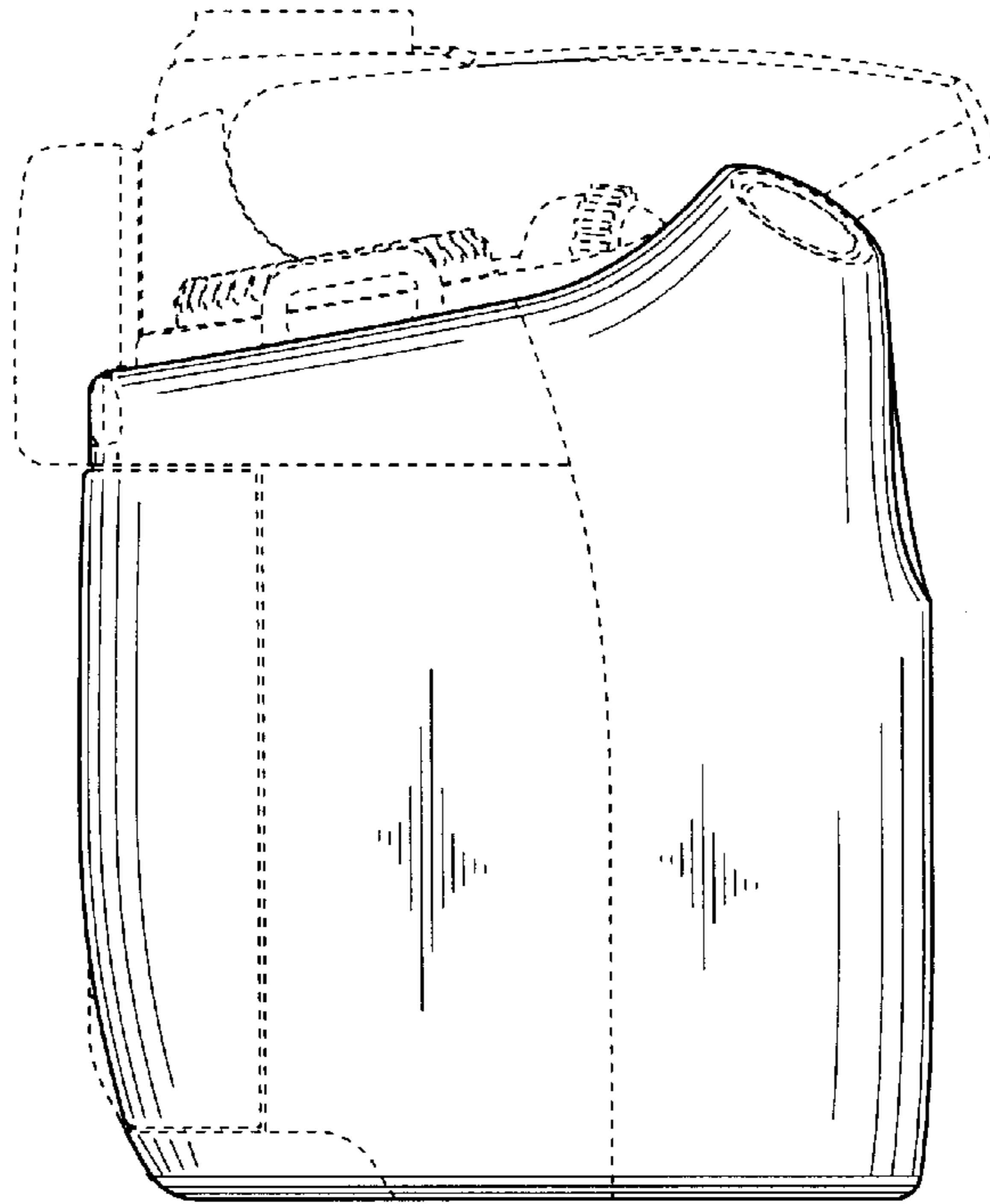
**FIG. 3**



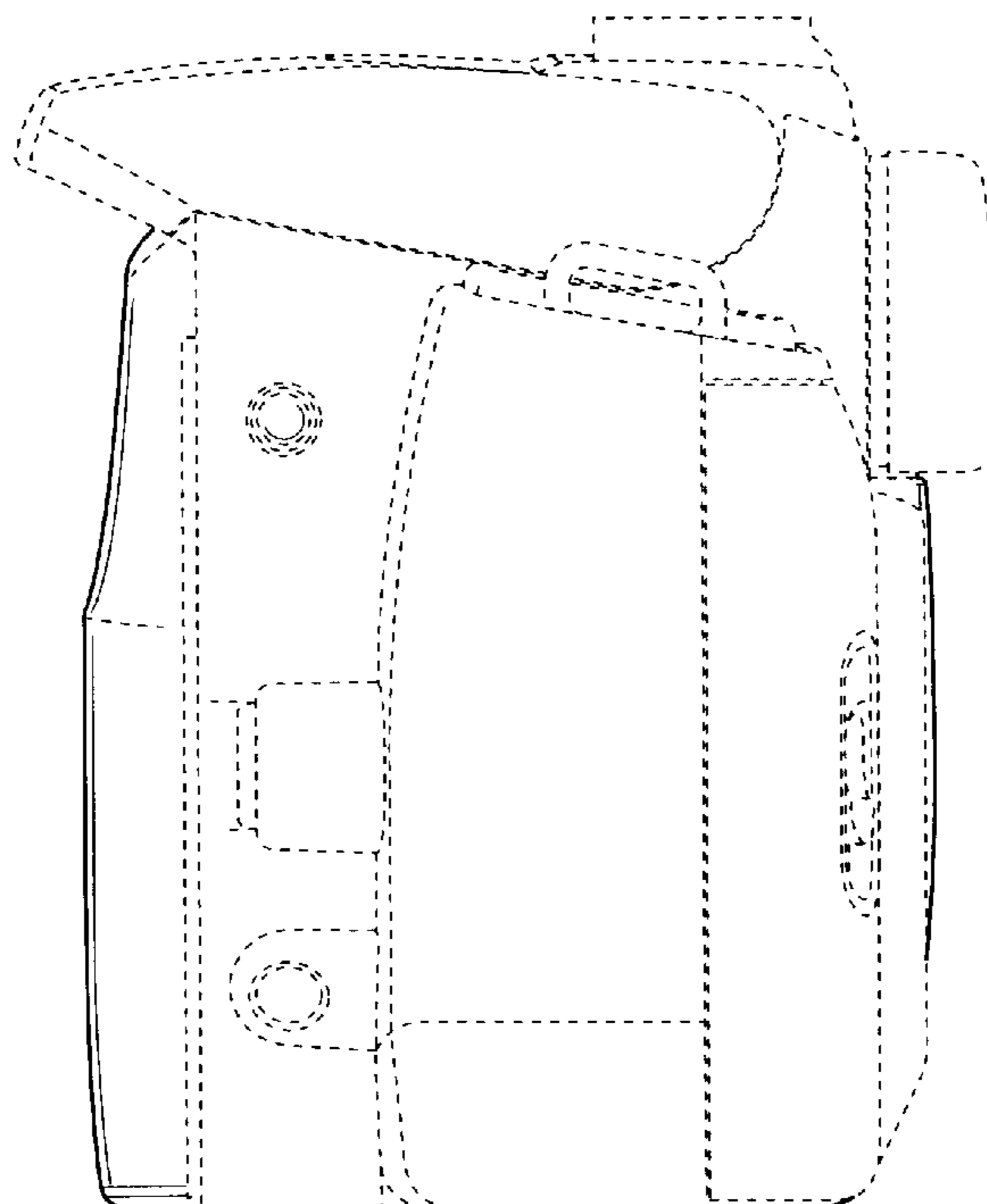
**FIG. 4**



**FIG. 5**



**FIG. 6**



*FIG. 7*

