



US00D481408S

(12) **United States Design Patent**
Lee

(10) **Patent No.:** **US D481,408 S**

(45) **Date of Patent:** **** Oct. 28, 2003**

(54) **CAMERA**

D428,037 S * 7/2000 Lee D16/218

(76) Inventor: **Tser-Ching Lee**, 58, Ma Yuan West St.,
Taichung (TW)

* cited by examiner

Primary Examiner—Adir Aronovich

(**) Term: **14 Years**

(57) **CLAIM**

(21) Appl. No.: **29/172,188**

The ornamental design for a camera, as shown and described.

(22) Filed: **Dec. 3, 2002**

(51) **LOC (7) Cl.** **16-01**

(52) **U.S. Cl.** **D16/218**

(58) **Field of Search** D16/200–205,
D16/208, 209, 218; 348/373–376; 396/535–541

DESCRIPTION

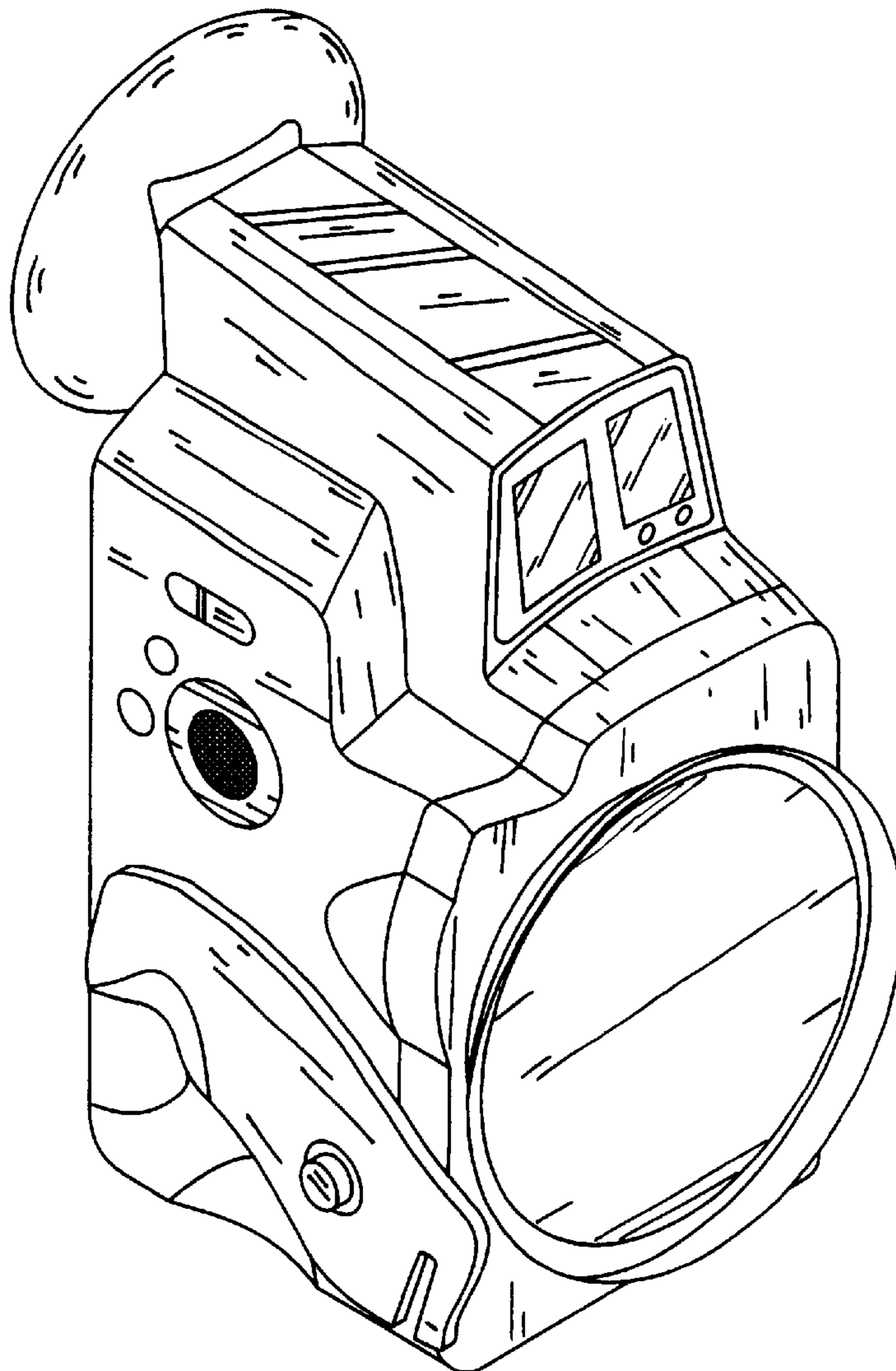
FIG. 1 is a perspective view of a camera showing my new design;
FIG. 2 is a front elevational view thereof;
FIG. 3 is a rear elevational view thereof;
FIG. 4 is a left side elevational view thereof;
FIG. 5 is a right side elevational view thereof;
FIG. 6 is a top plan view thereof; and,
FIG. 7 is a bottom plan view thereof.

(56) **References Cited**

U.S. PATENT DOCUMENTS

- D322,618 S * 12/1991 Inoue D16/218
- D327,286 S * 6/1992 Fukutomi D16/202
- D415,510 S * 10/1999 Maeyama D16/204

1 Claim, 7 Drawing Sheets



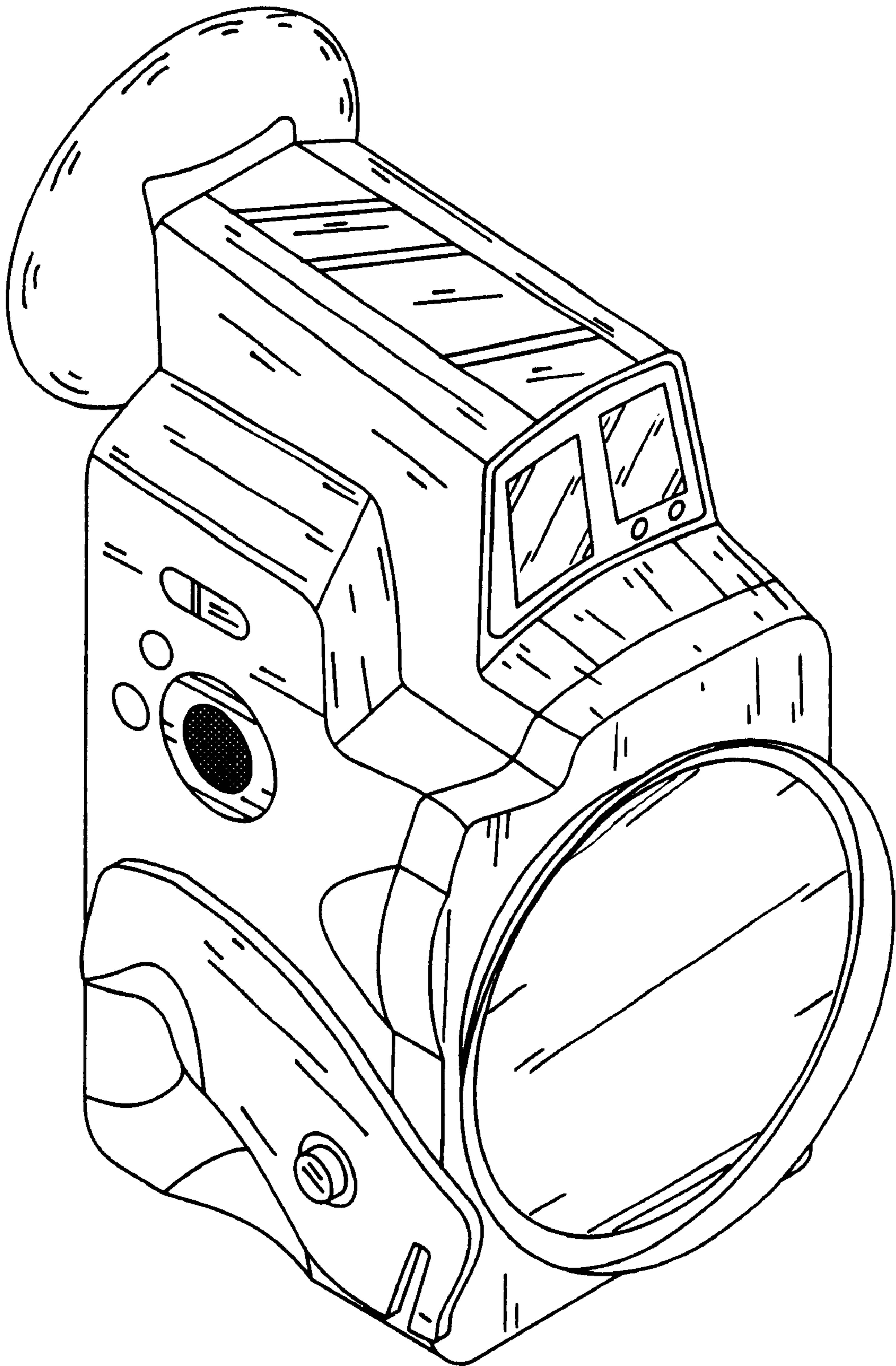


FIG. 1

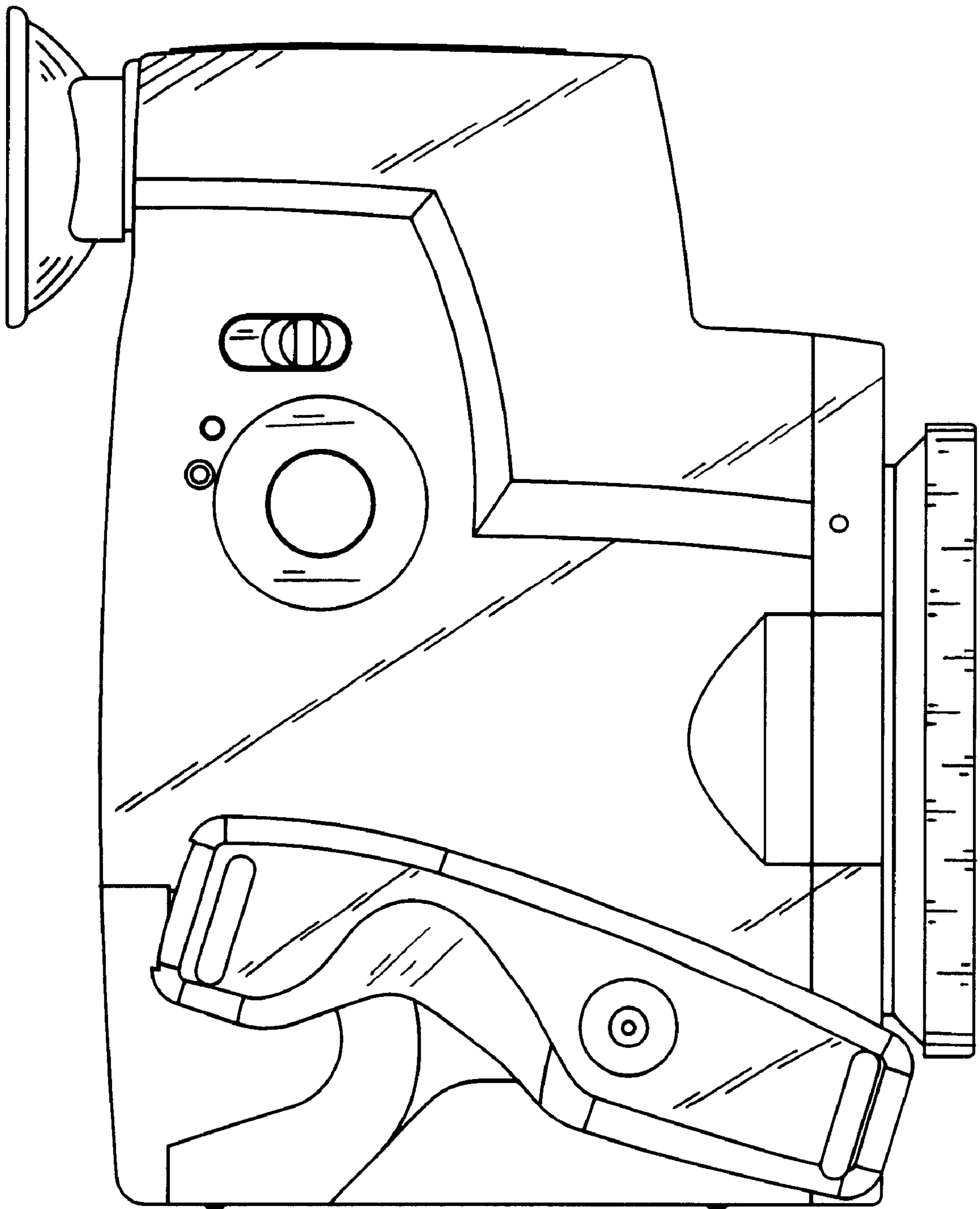


FIG.2

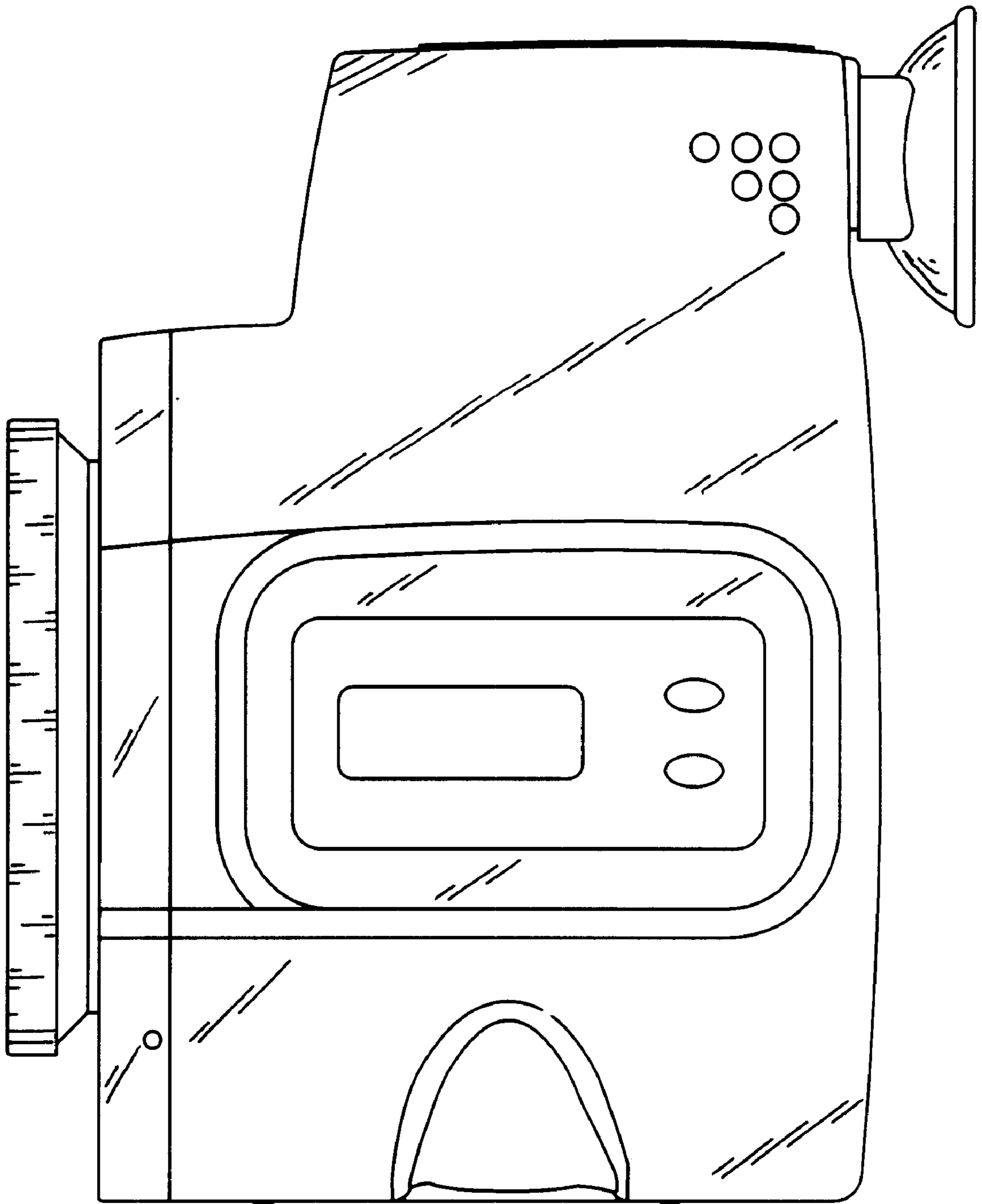


FIG.3

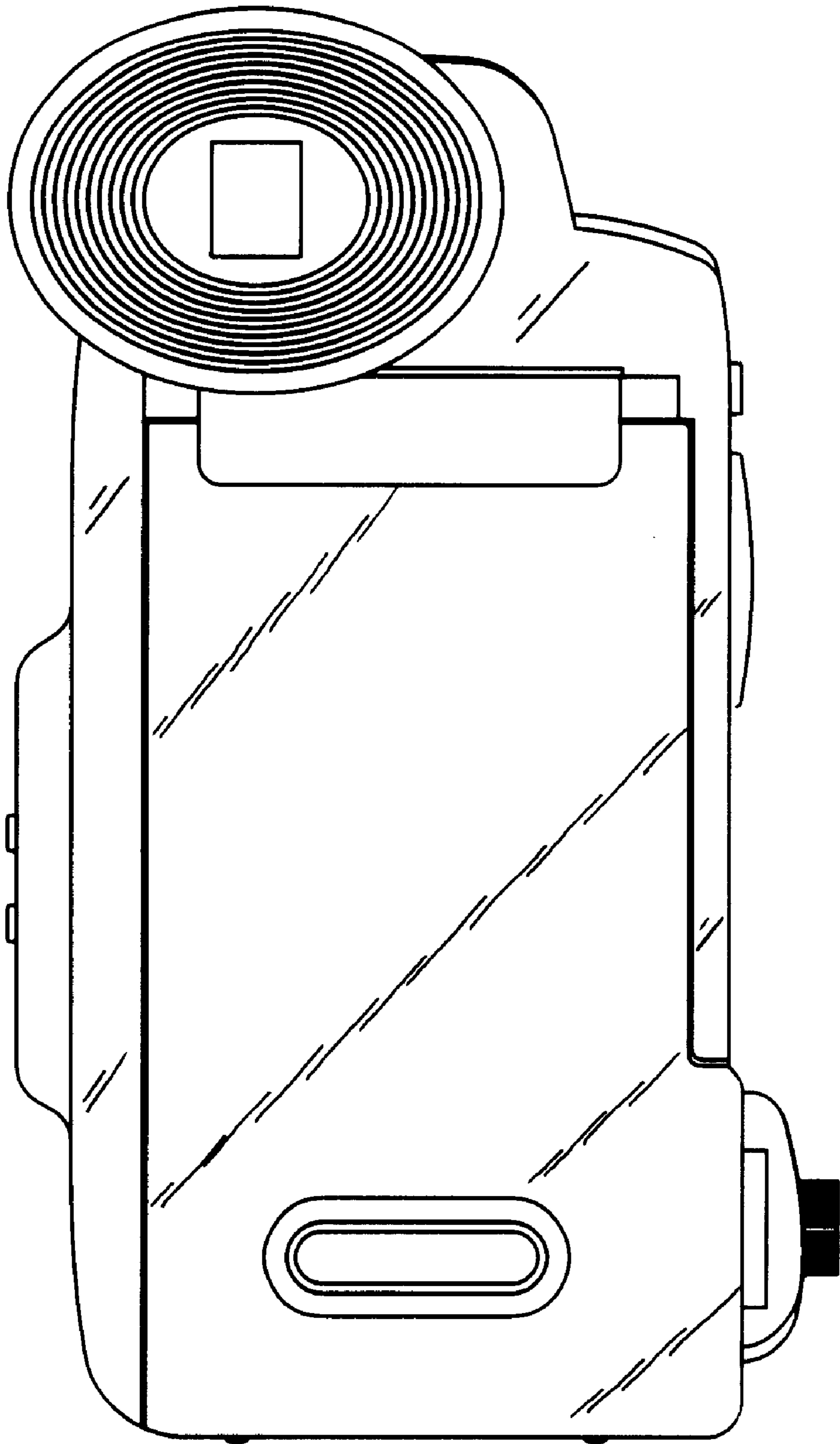


FIG.4

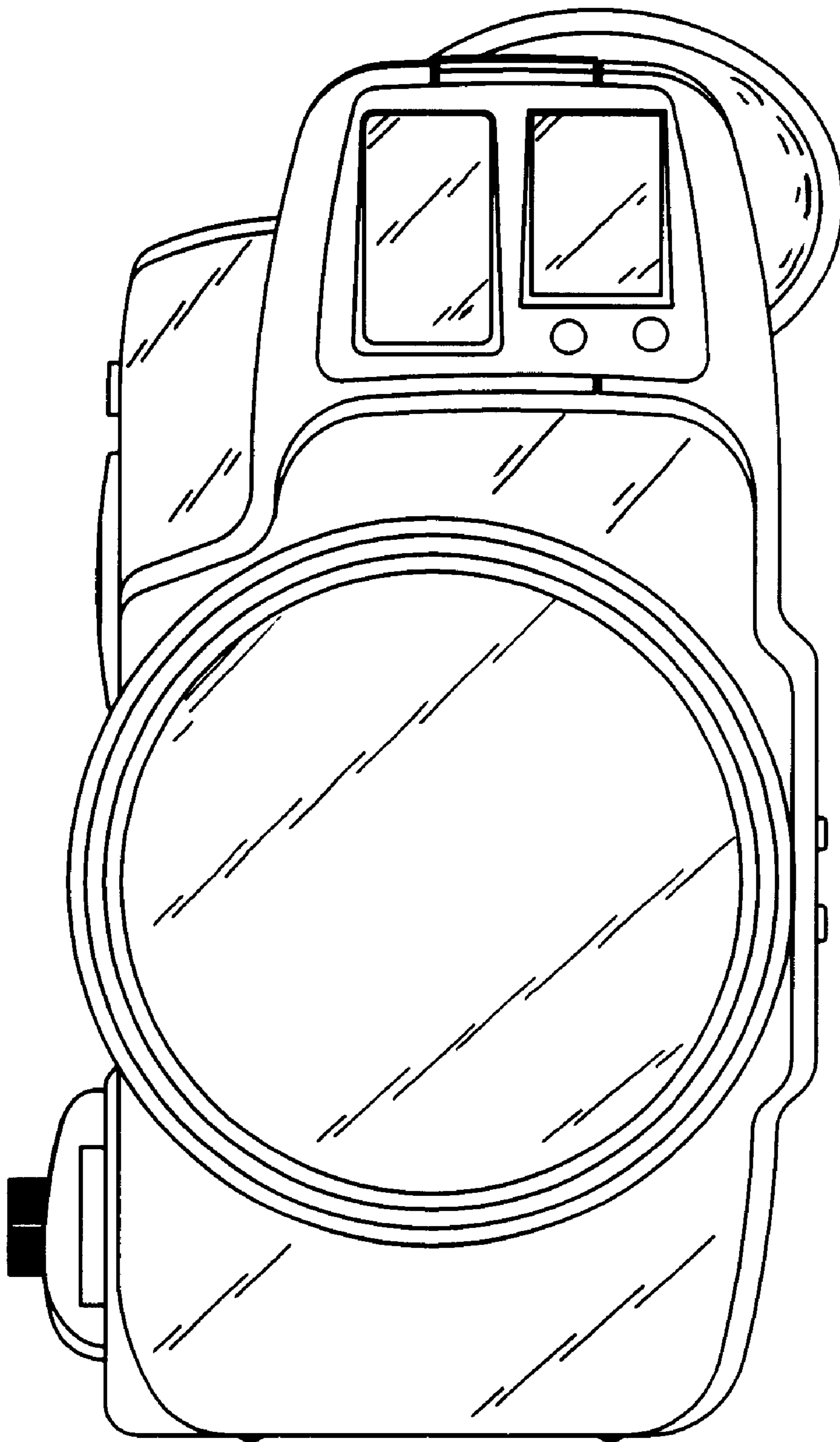


FIG.5

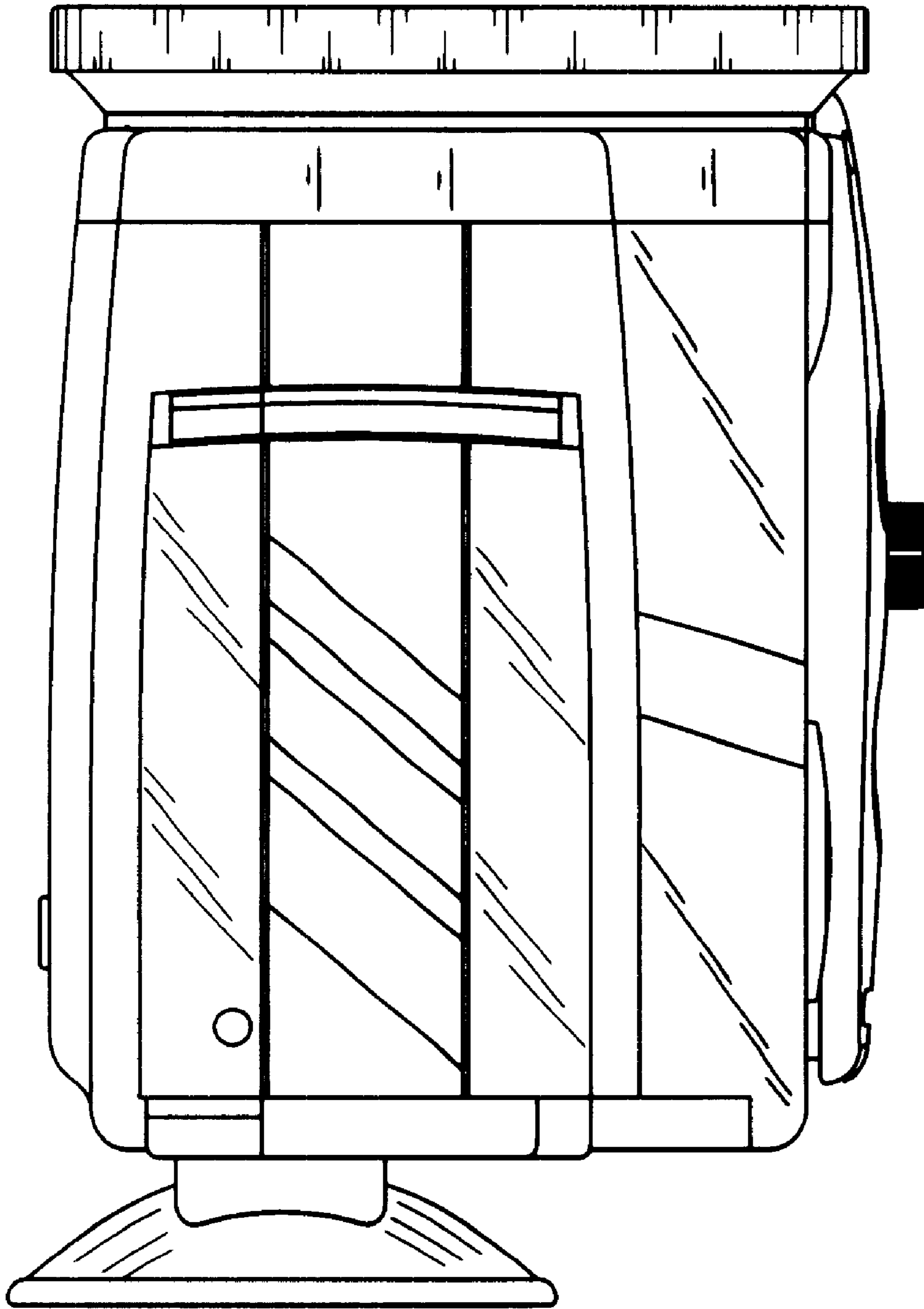


FIG.6

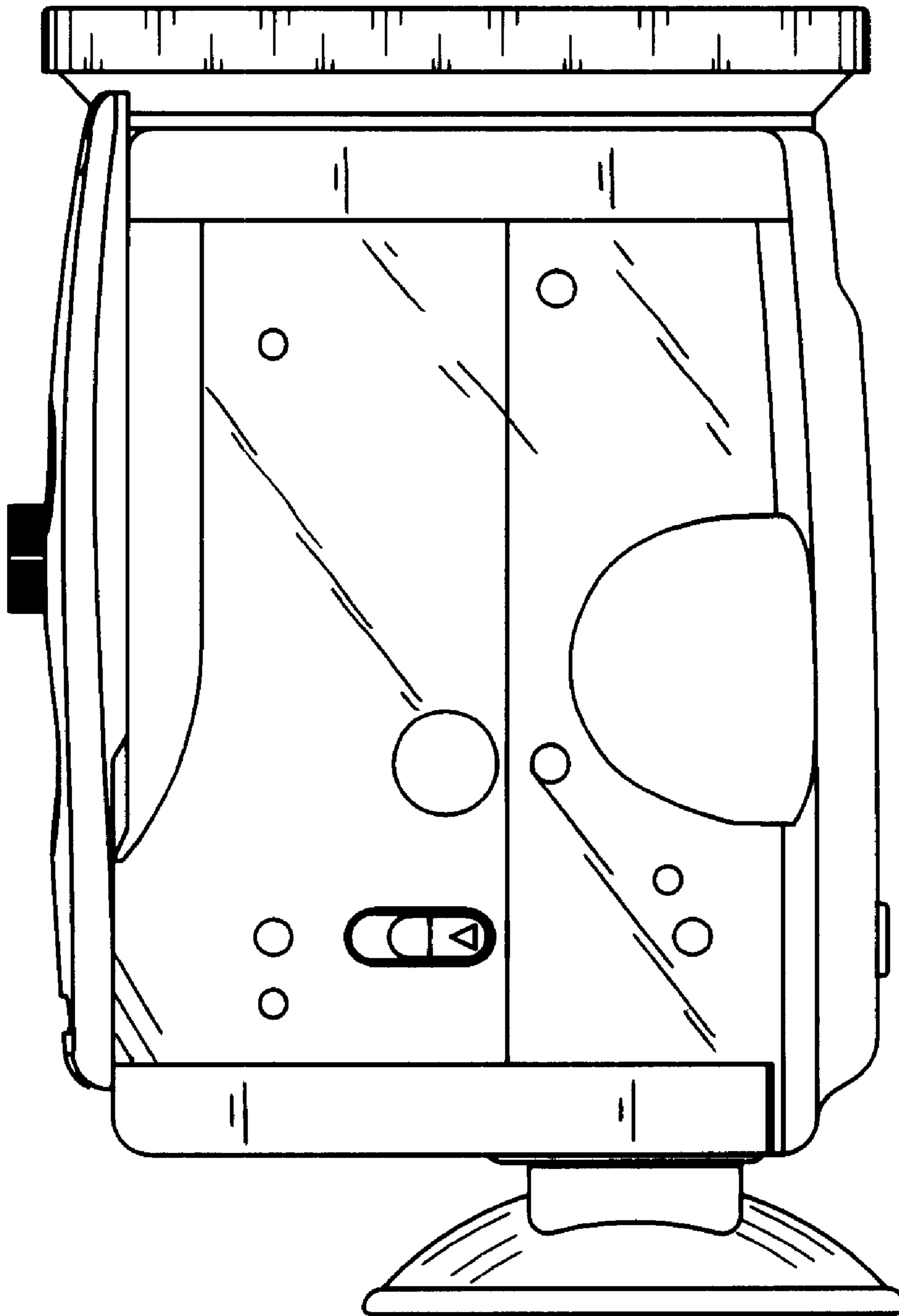


FIG.7