



US00D481406S

(12) **United States Design Patent**
Alessio

(10) **Patent No.:** **US D481,406 S**

(45) **Date of Patent:** **** Oct. 28, 2003**

(54) **CLOSED CIRCUIT TV CAMERA HOUSING**

(75) **Inventor:** **Grotto Alessio, Schio (IT)**

(73) **Assignee:** **Videotec S.r.l., Schio (IT)**

(**) **Term:** **14 Years**

(21) **Appl. No.:** **29/171,486**

(22) **Filed:** **Nov. 22, 2002**

(30) **Foreign Application Priority Data**

May 22, 2002 (IT) VI2002O0032

(51) **LOC (7) Cl. 16-01**

(52) **U.S. Cl. D16/203**

(58) **Field of Search D16/200-205,**
D16/208; 348/143, 151, 373-376; 396/25-29,
427, 433, 535-541

(56) **References Cited**

U.S. PATENT DOCUMENTS

D307,915 S * 5/1990 Kuester, III D16/203
D392,300 S * 3/1998 Chow et al. D16/203

5,966,176 A * 10/1999 Chow et al. 348/373
D418,853 S * 1/2000 Kubota D16/203
D438,227 S * 2/2001 Grotto D16/203
2001/0015765 A1 * 8/2001 Marchesini 348/373

* cited by examiner

Primary Examiner—Adir Aronovich

(74) *Attorney, Agent, or Firm*—Bucknam and Archer

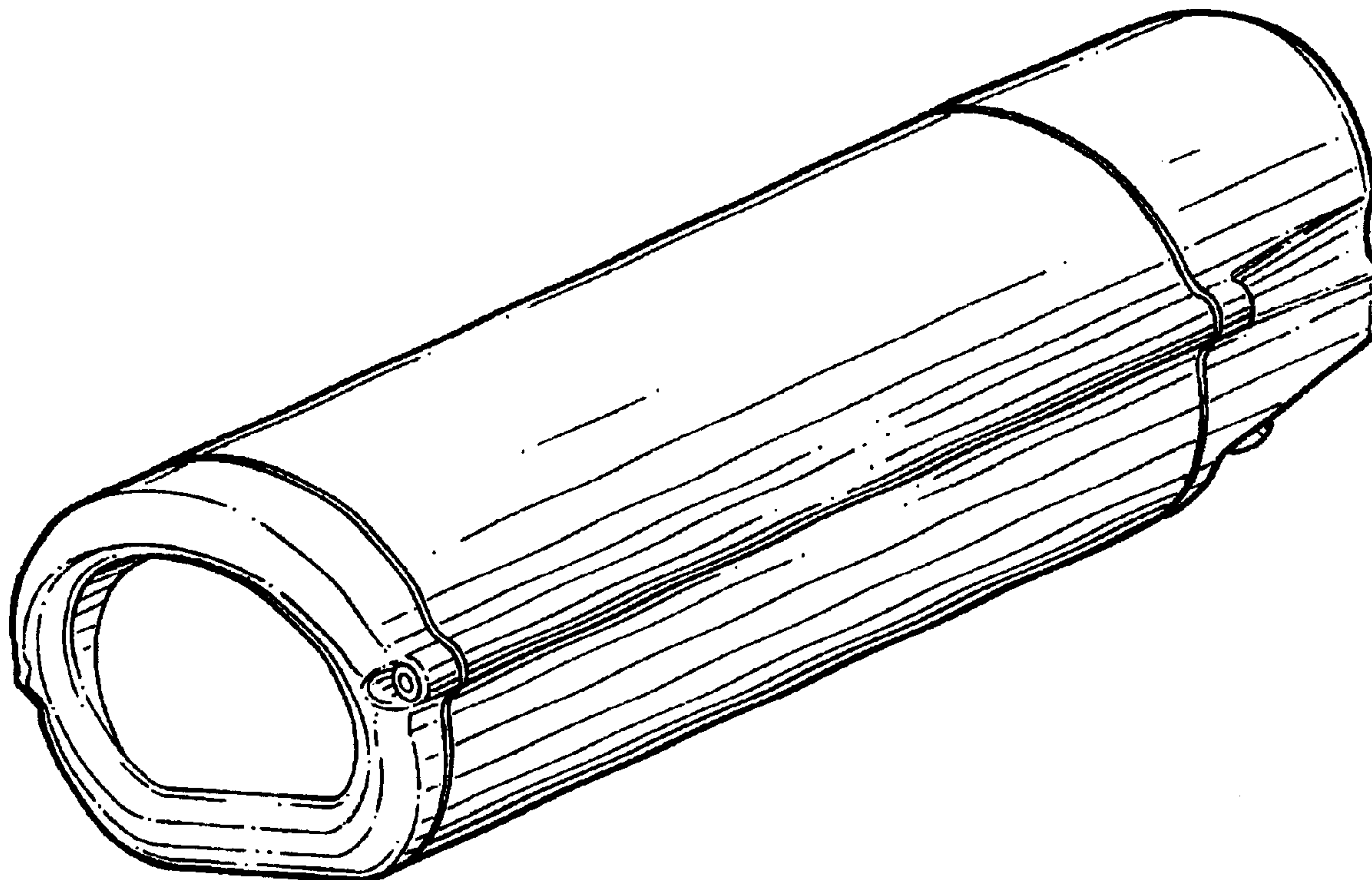
(57) **CLAIM**

The ornamental design for a closed circuit TV camera housing, as shown and described.

DESCRIPTION

FIG. 1 is a perspective view of the closed circuit TV camera housing according to the present invention.
FIG. 2 is a left side elevational view thereof, the right side being a mirror image thereof;
FIG. 3 is a top plan view thereof;
FIG. 4 is a bottom plan view thereof;
FIG. 5 is a front elevational view thereof; and,
FIG. 6 is a rear elevational view thereof.

1 Claim, 5 Drawing Sheets



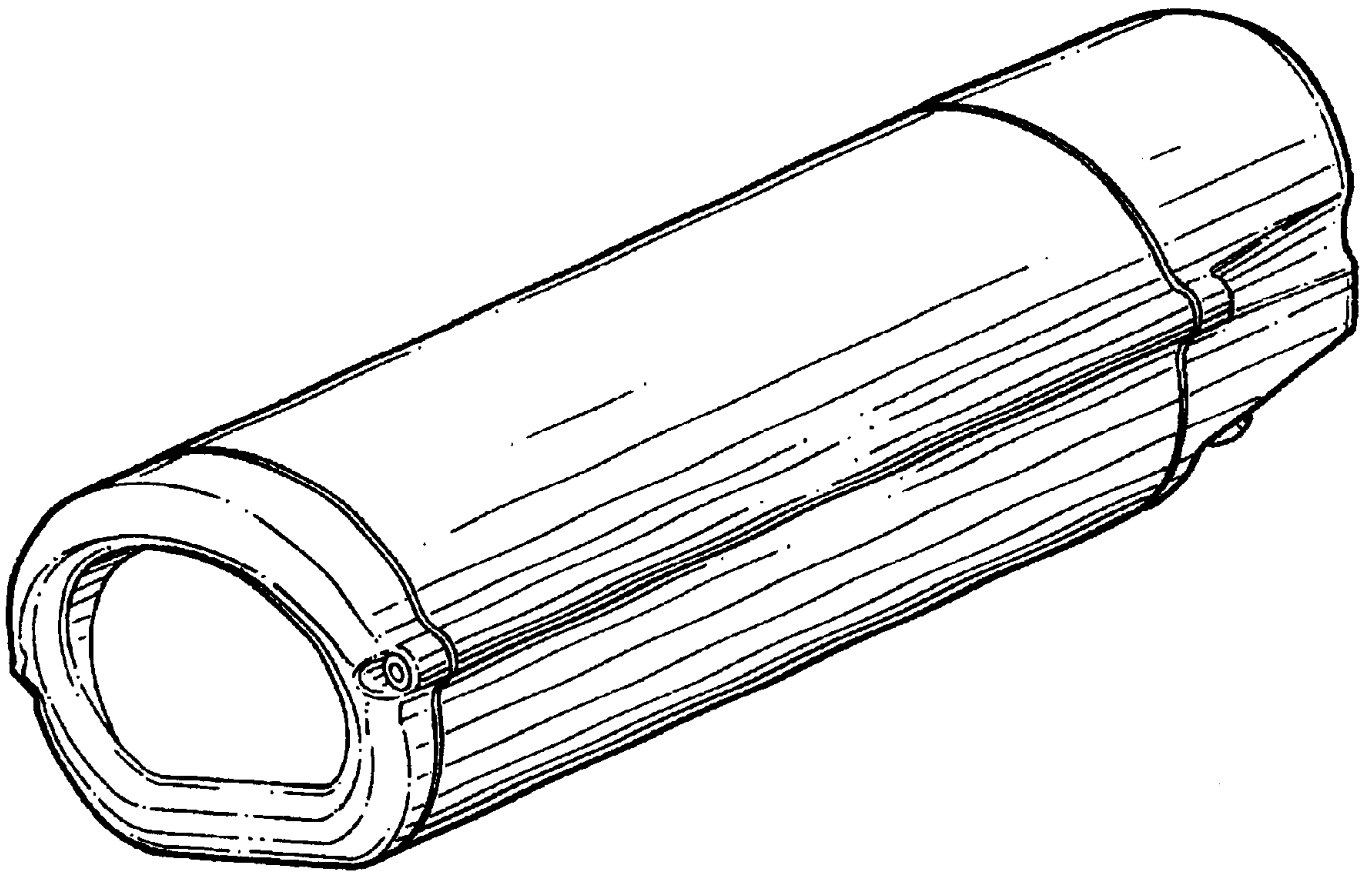


FIG. 1

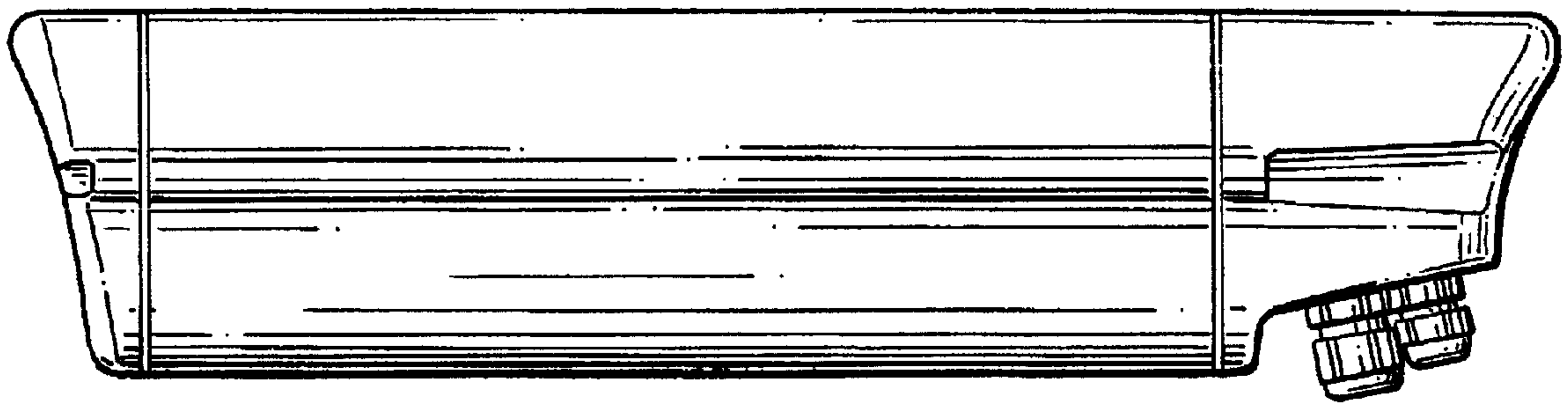


FIG. 2

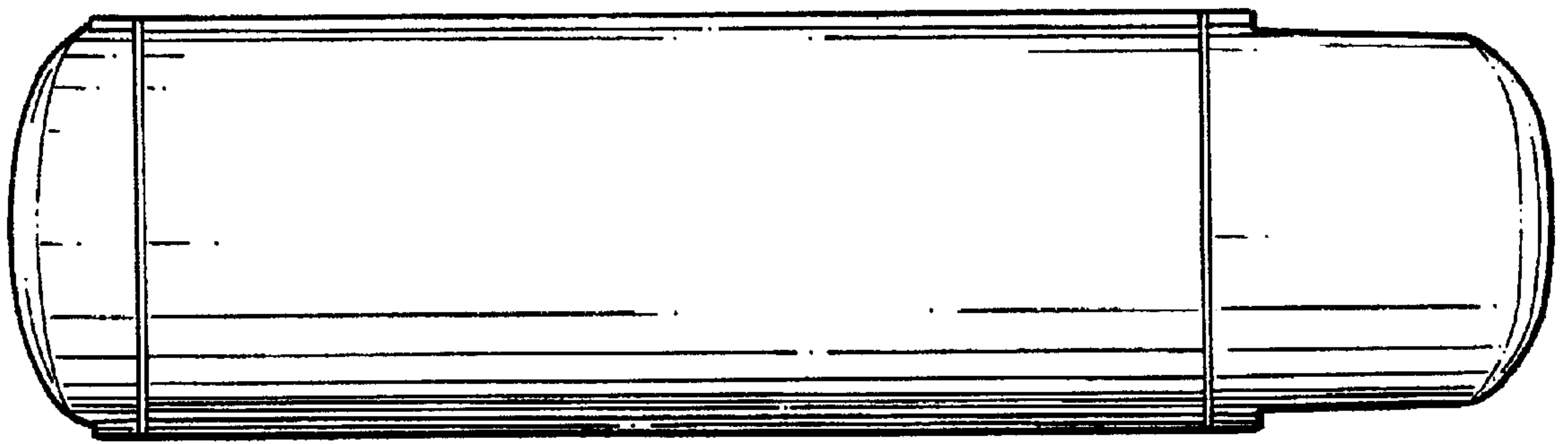


FIG. 3

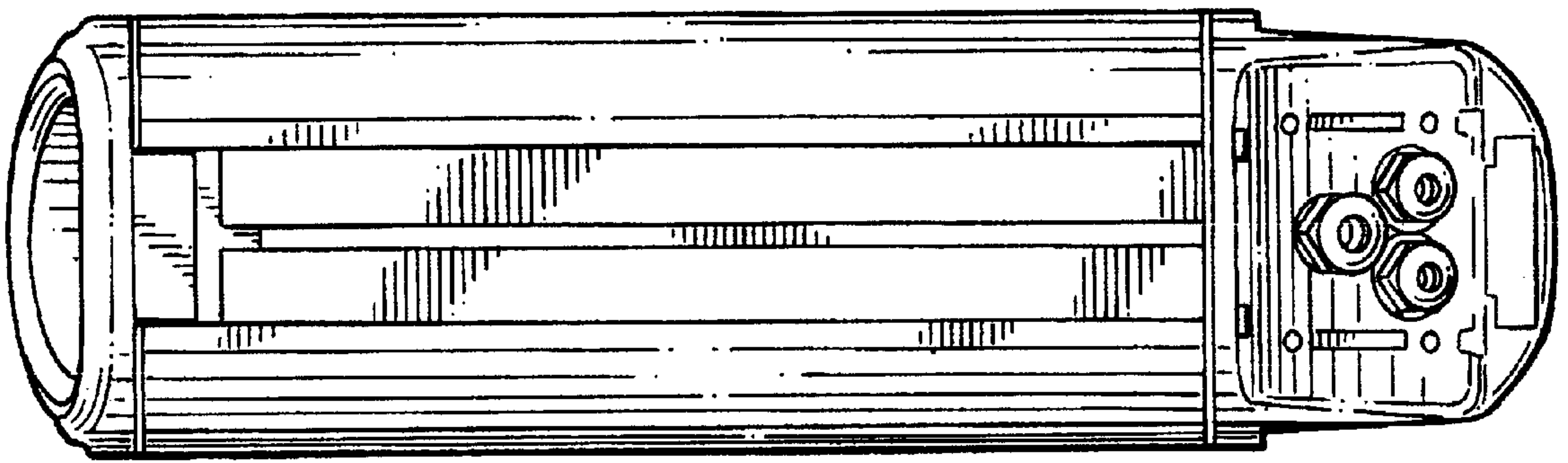


FIG. 4

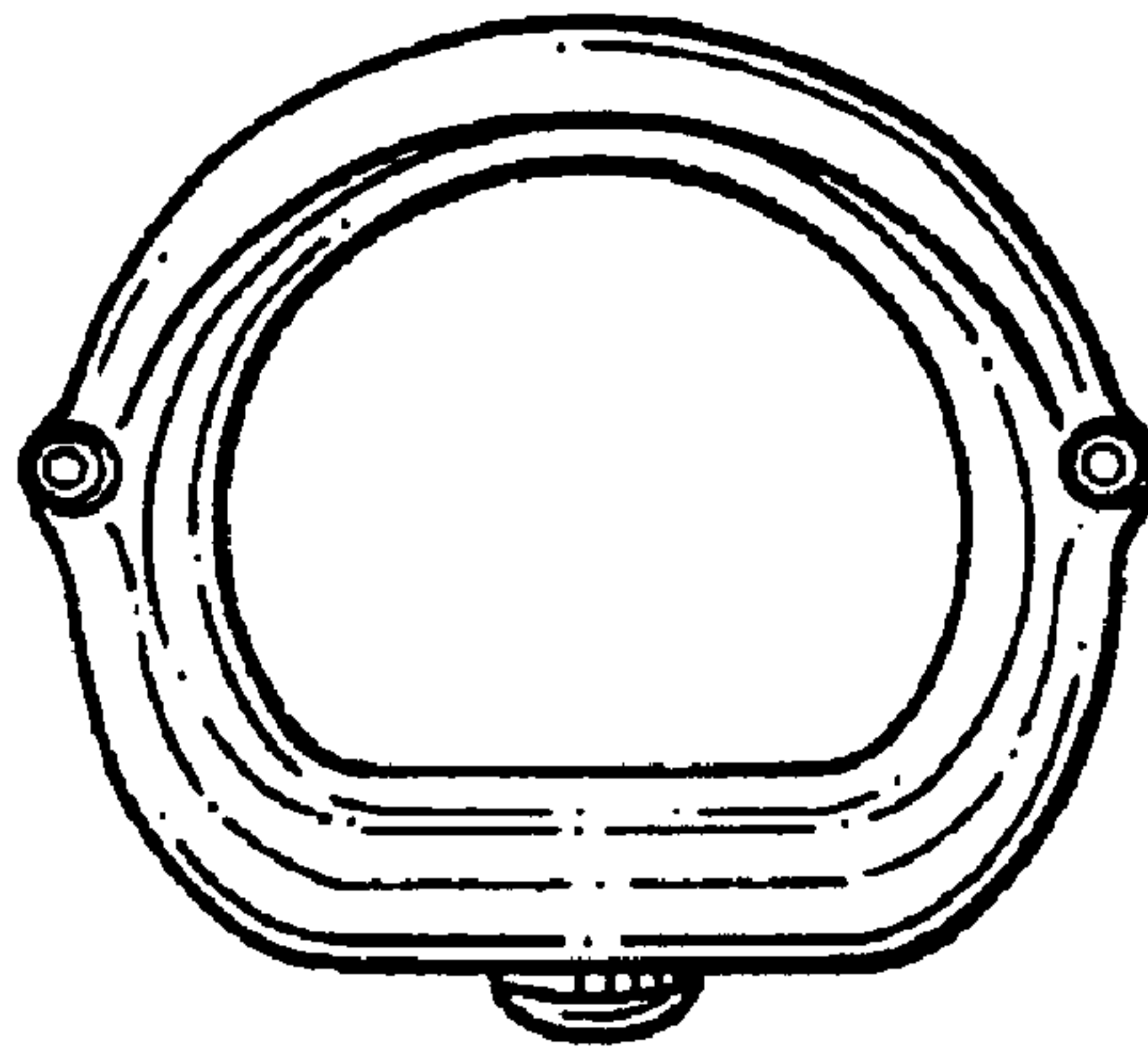


FIG. 5

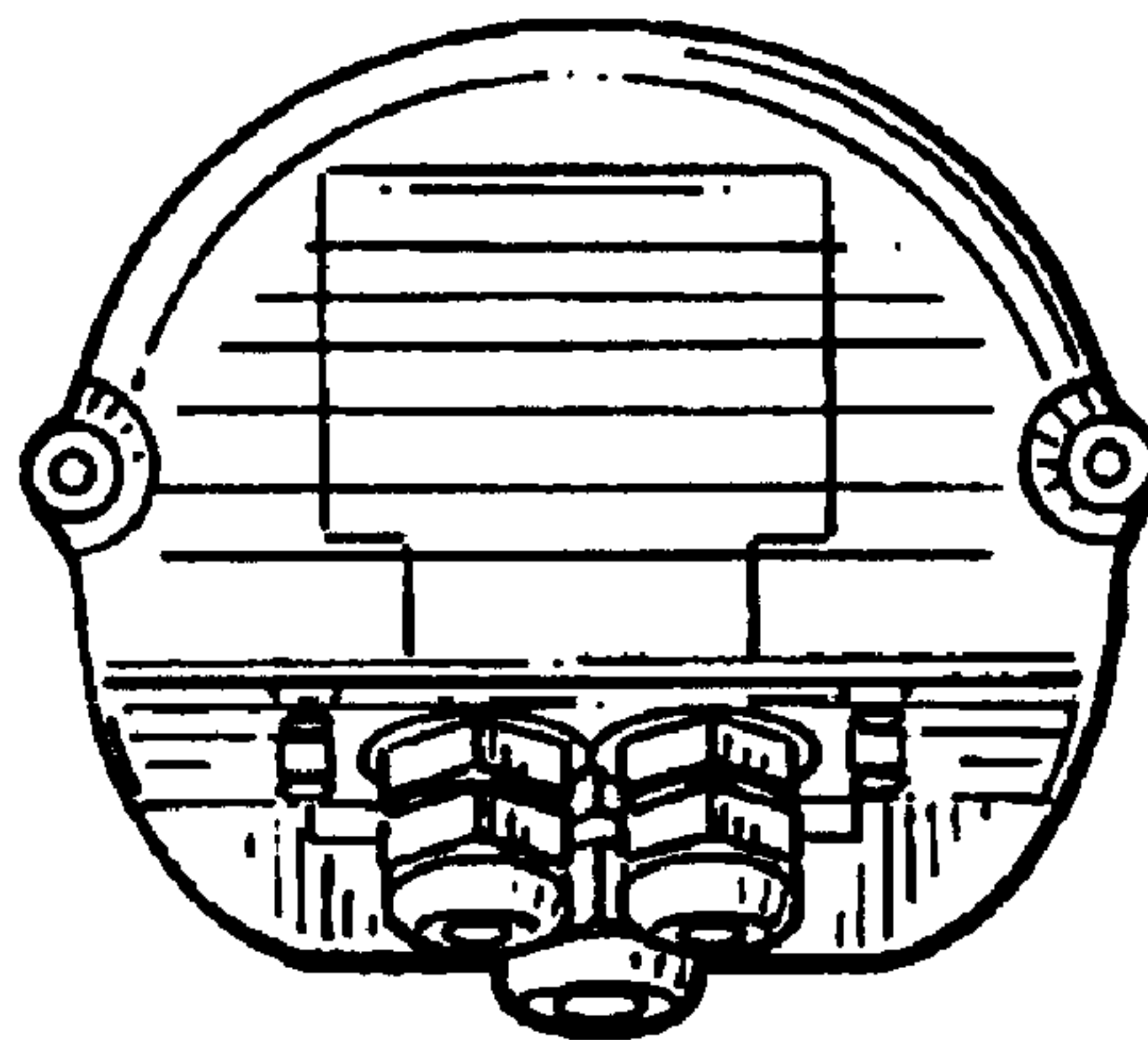


FIG. 6