



US00D481405S

(12) **United States Design Patent**  
**Sakaguchi**

(10) **Patent No.:** **US D481,405 S**

(45) **Date of Patent:** **\*\* Oct. 28, 2003**

(54) **DIGITAL CAMERA**

(75) **Inventor:** **Kazuhito Sakaguchi, Kanagawa (JP)**

(73) **Assignee:** **Casio Keisanki Kabushiki Kaisha, Tokyo (JP)**

(\*\*) **Term:** **14 Years**

(21) **Appl. No.:** **29/177,496**

(22) **Filed:** **Mar. 11, 2003**

(51) **LOC (7) Cl.** ..... **16-01**

(52) **U.S. Cl.** ..... **D16/202; D16/218**

(58) **Field of Search** ..... **D16/200-204, D16/208, 209, 218; 348/373-376; 358/909.1; 396/535-541**

(56) **References Cited**

**U.S. PATENT DOCUMENTS**

5,555,052 A \* 9/1996 Pearson ..... 396/538  
D422,611 S \* 4/2000 Katayama et al. .... D16/202  
D441,777 S \* 5/2001 Katayama ..... D16/202

D447,759 S \* 9/2001 Jin ..... D16/209  
D473,886 S \* 4/2003 Katayama ..... D16/202  
D475,073 S \* 5/2003 Omino ..... D16/202  
D475,384 S \* 6/2003 Tanaka ..... D16/202

\* cited by examiner

*Primary Examiner*—Adir Aronovich

(74) *Attorney, Agent, or Firm*—Frishauf, Holtz, Goodman & Chick, P.C.

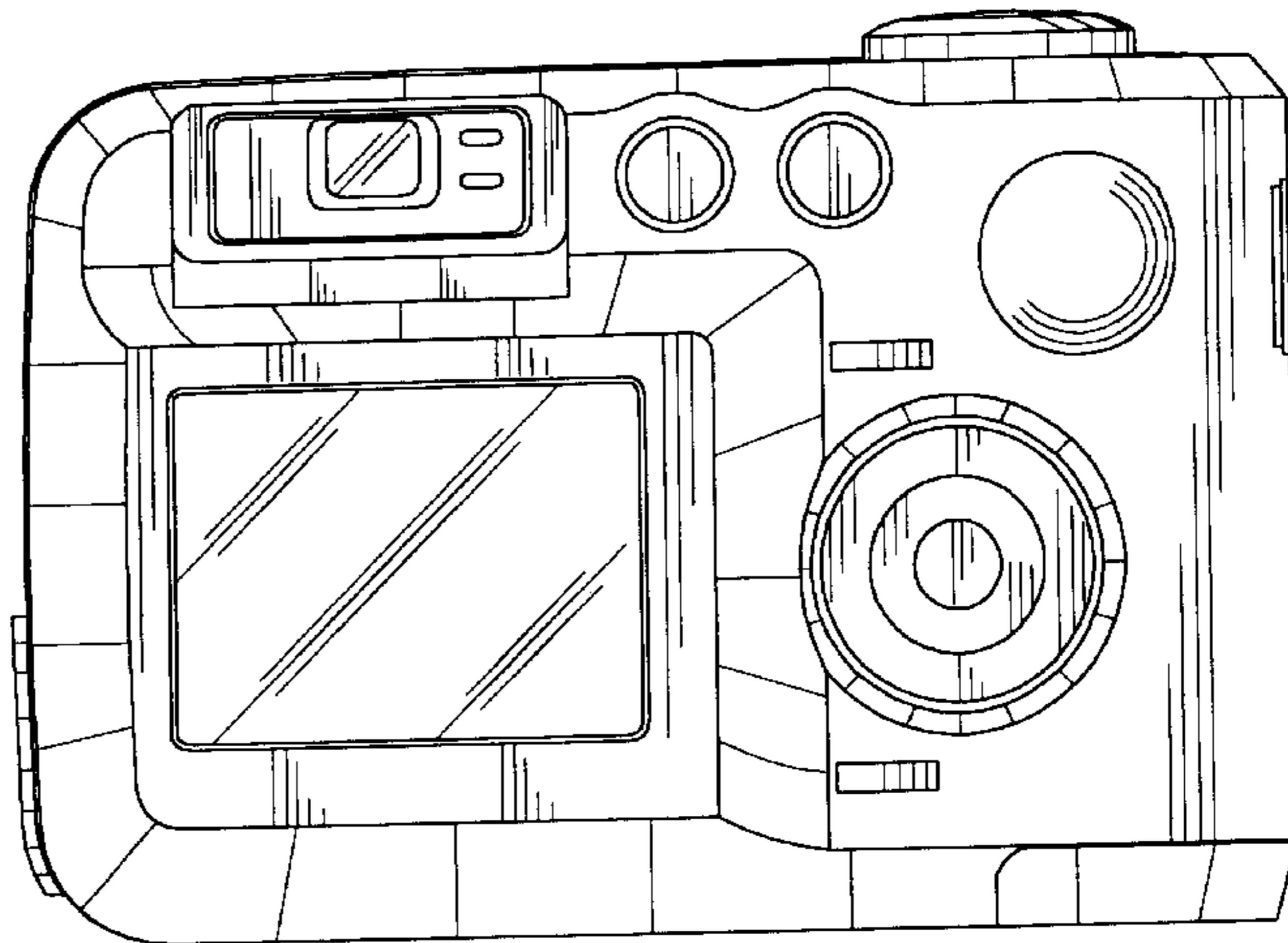
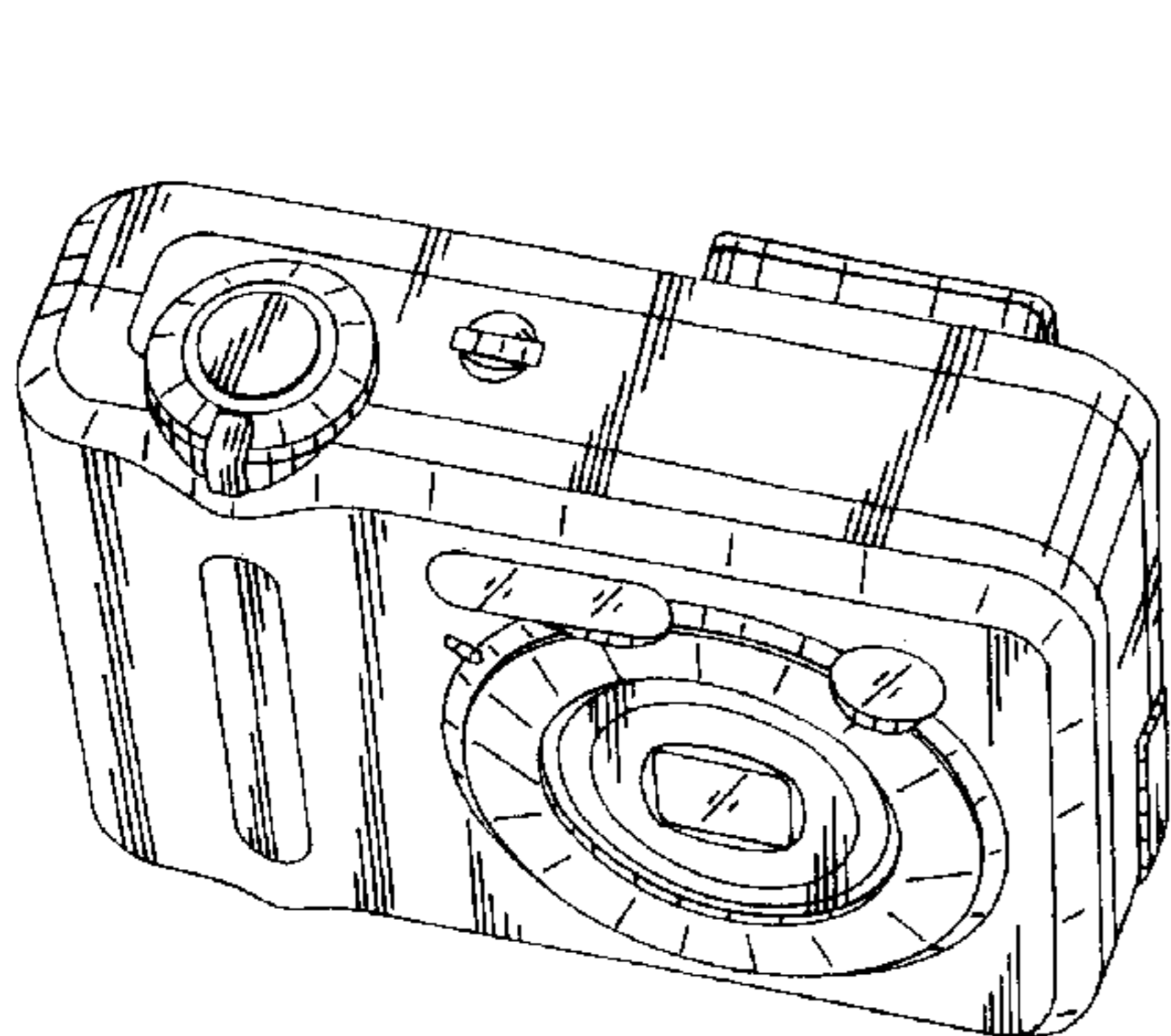
(57) **CLAIM**

The ornamental design for a digital camera, as shown.

**DESCRIPTION**

FIG. 1 is a top, front, right side perspective view of a digital camera showing my new design;  
FIG. 2 is a front elevational view thereof;  
FIG. 3 is a rear elevational view thereof;  
FIG. 4 is a left side view thereof;  
FIG. 5 is a right side view thereof;  
FIG. 6 is a top plan view thereof; and,  
FIG. 7 is a bottom plan view thereof.

**1 Claim, 7 Drawing Sheets**



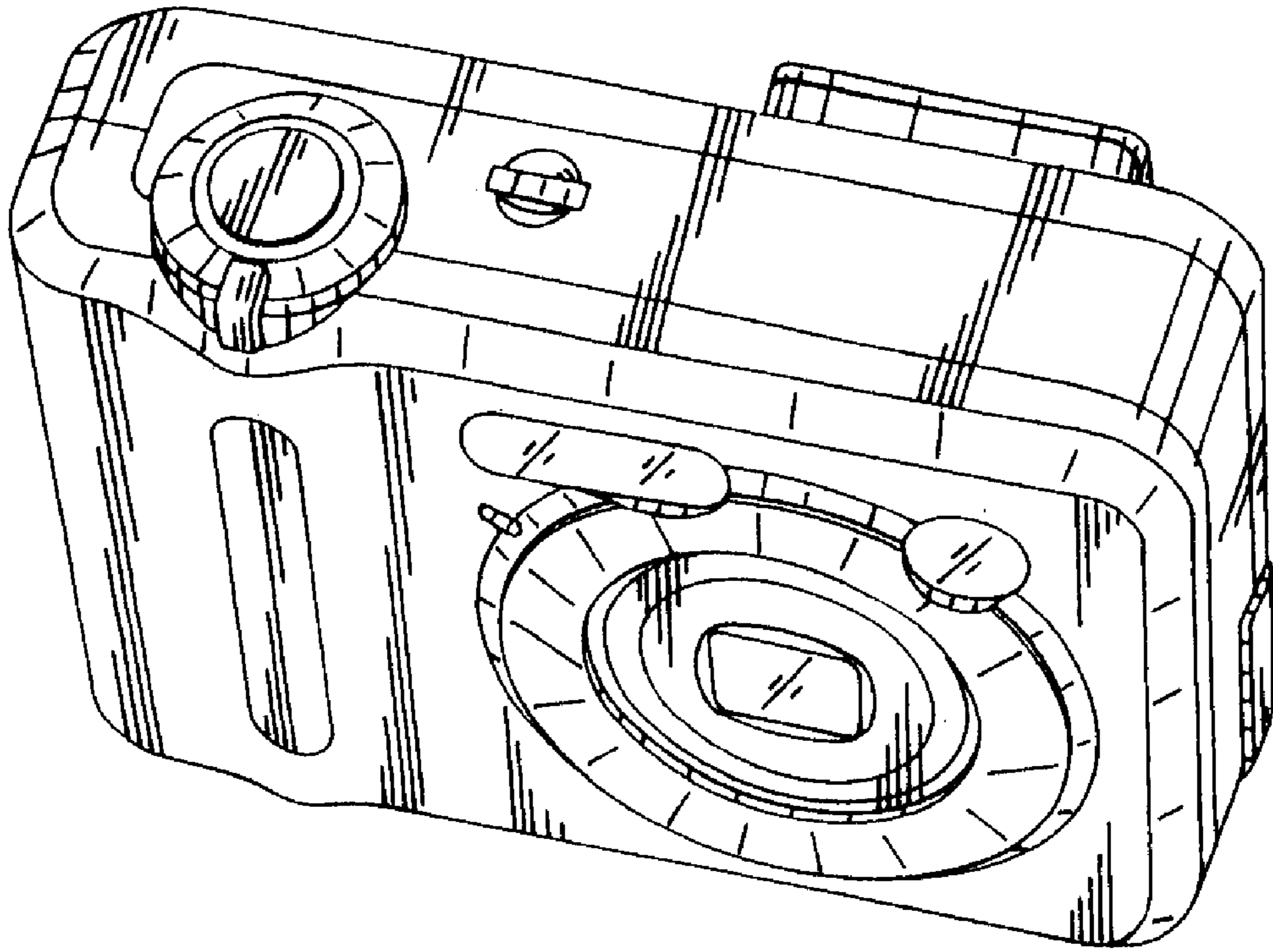


FIG. 1

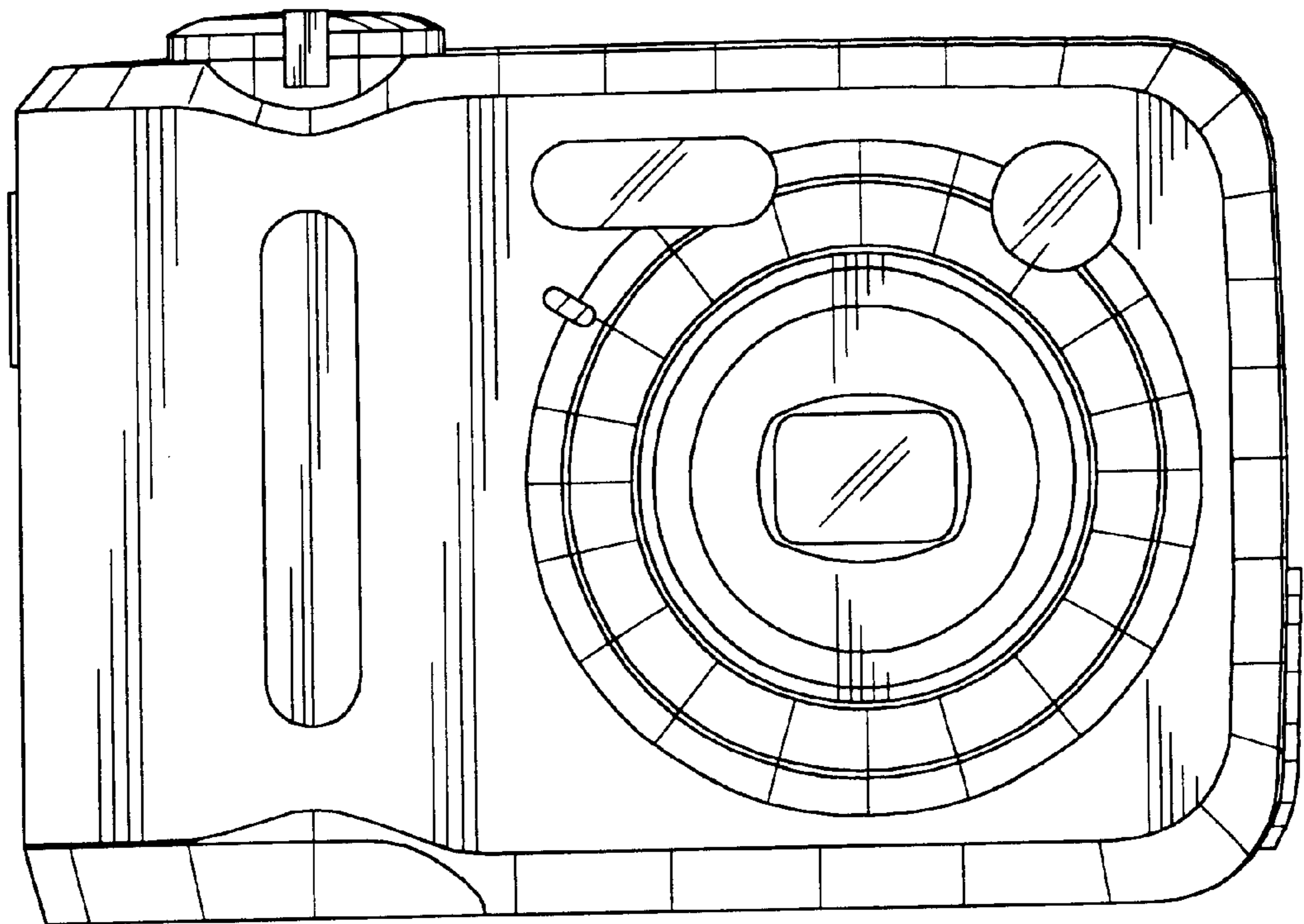


FIG. 2

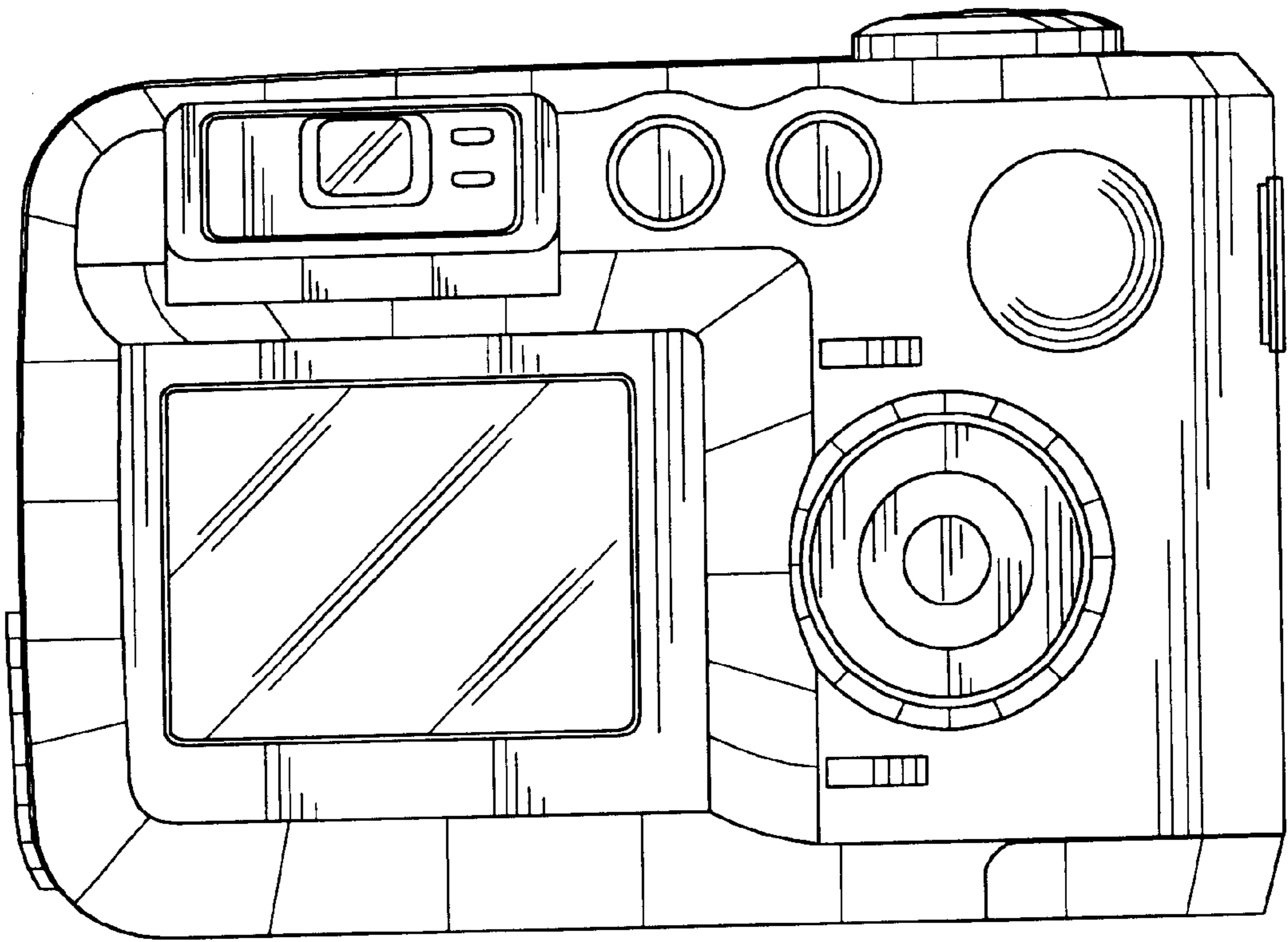
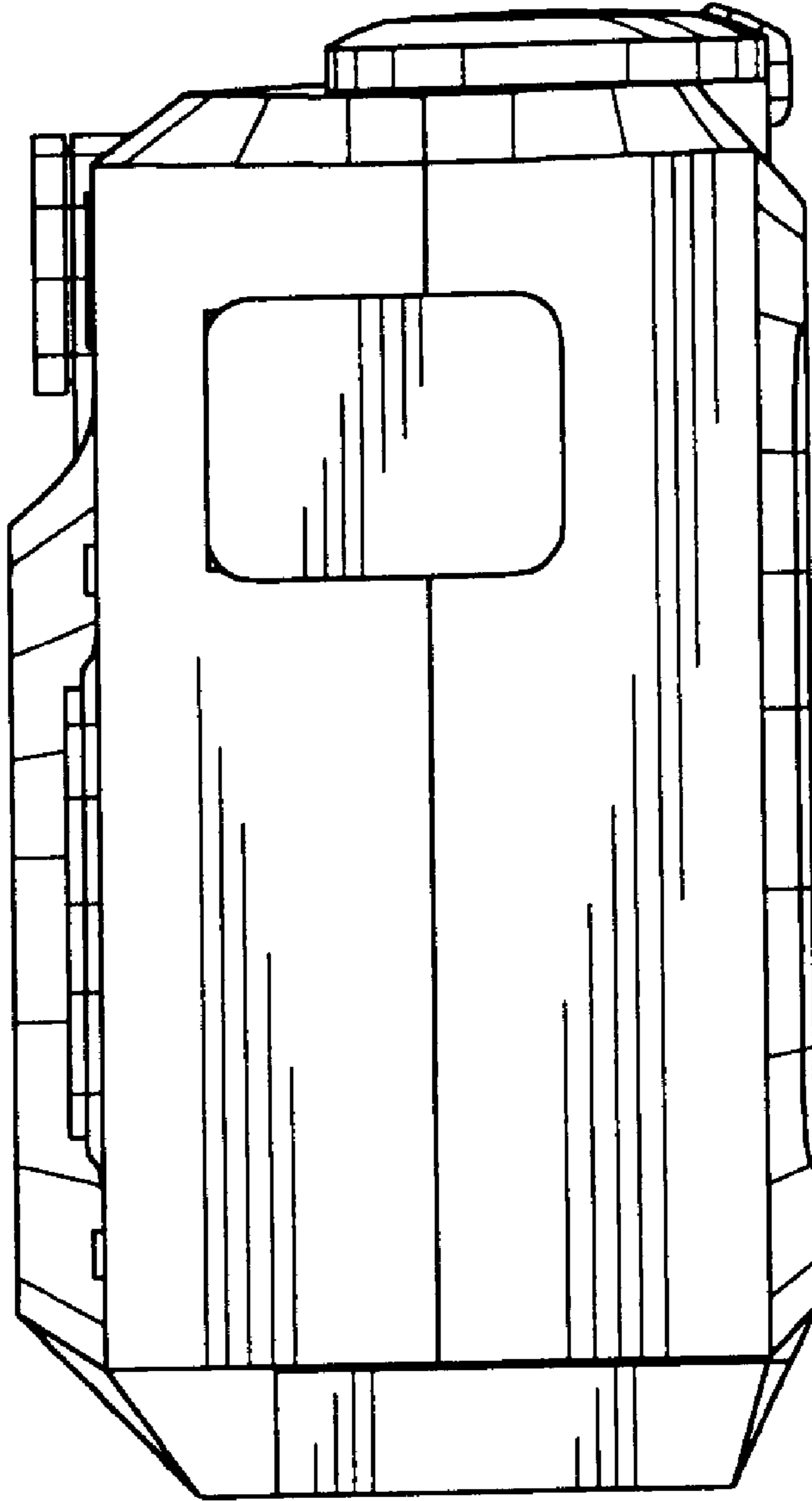
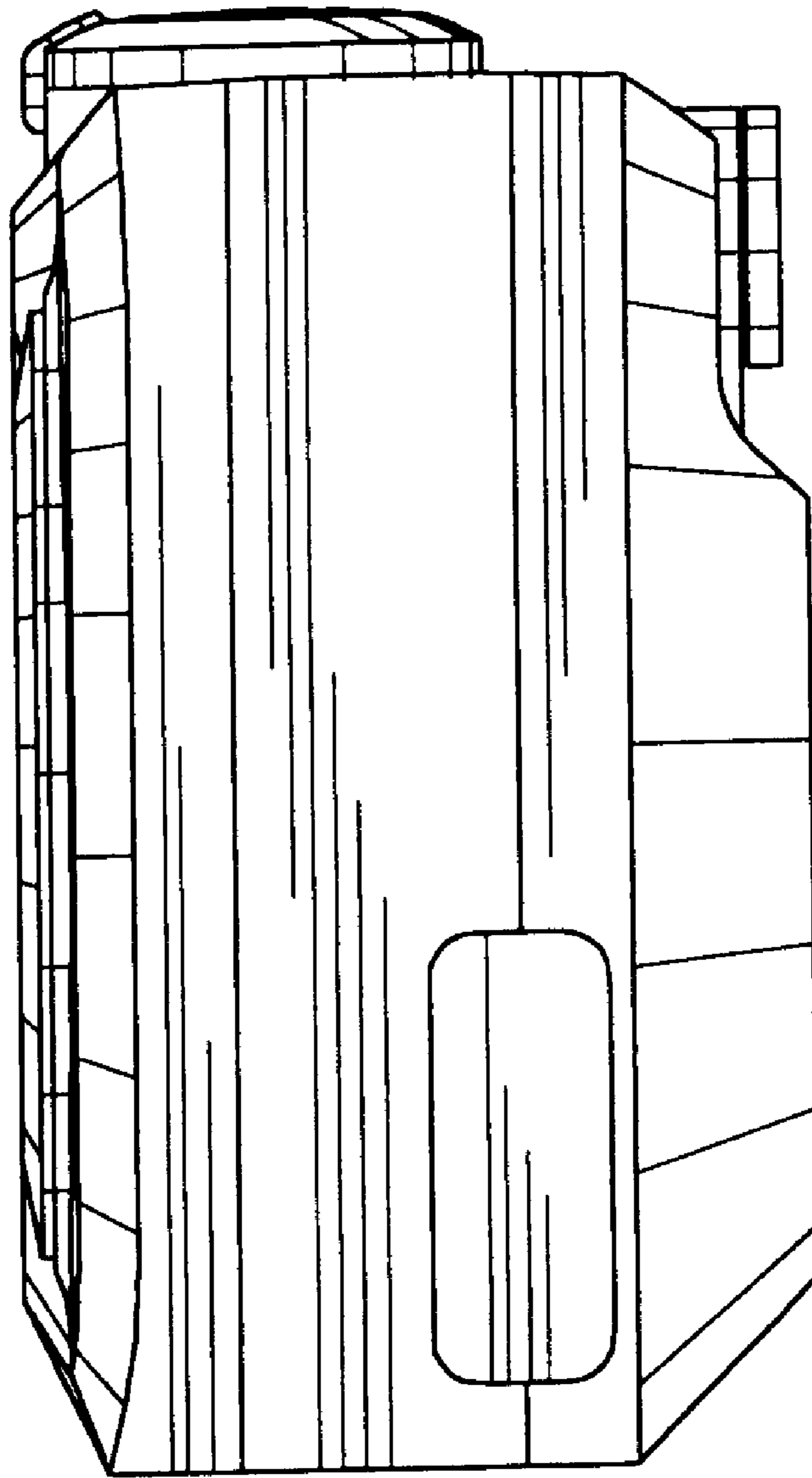


FIG. 3



**FIG. 4**



**FIG. 5**

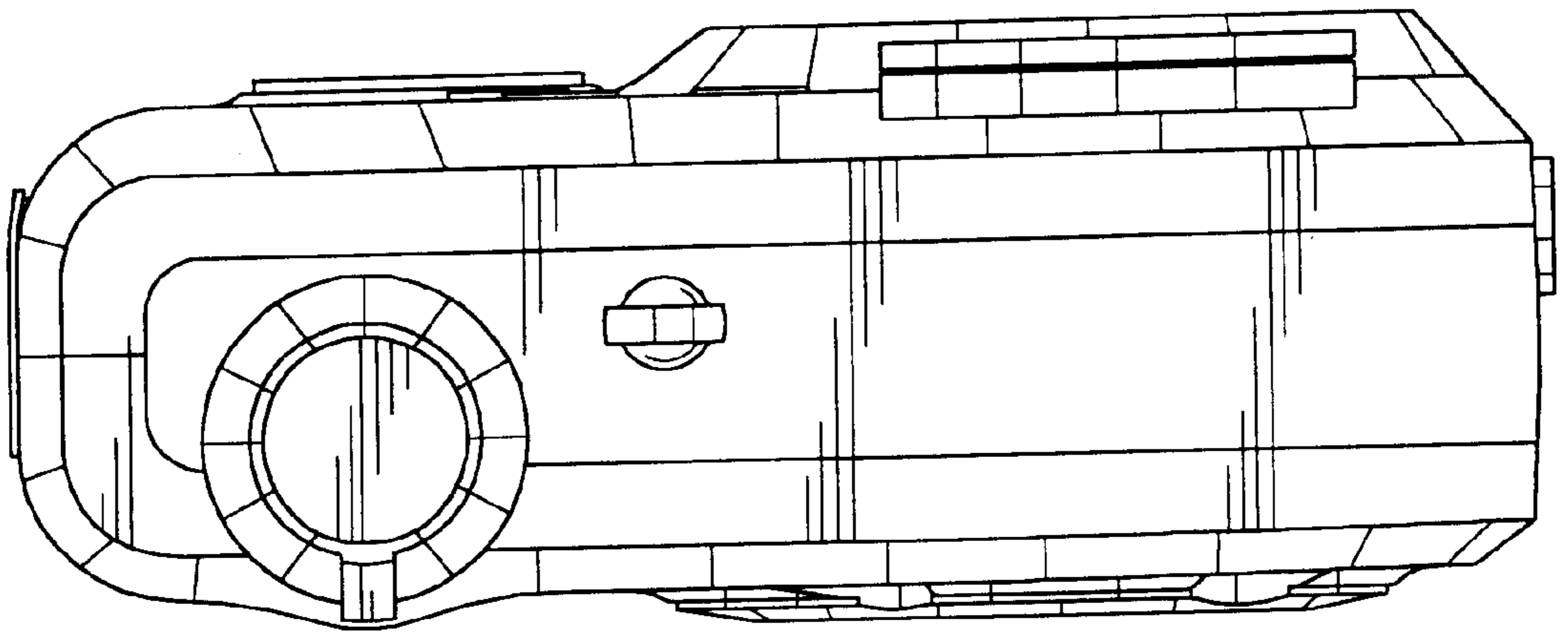


FIG. 6

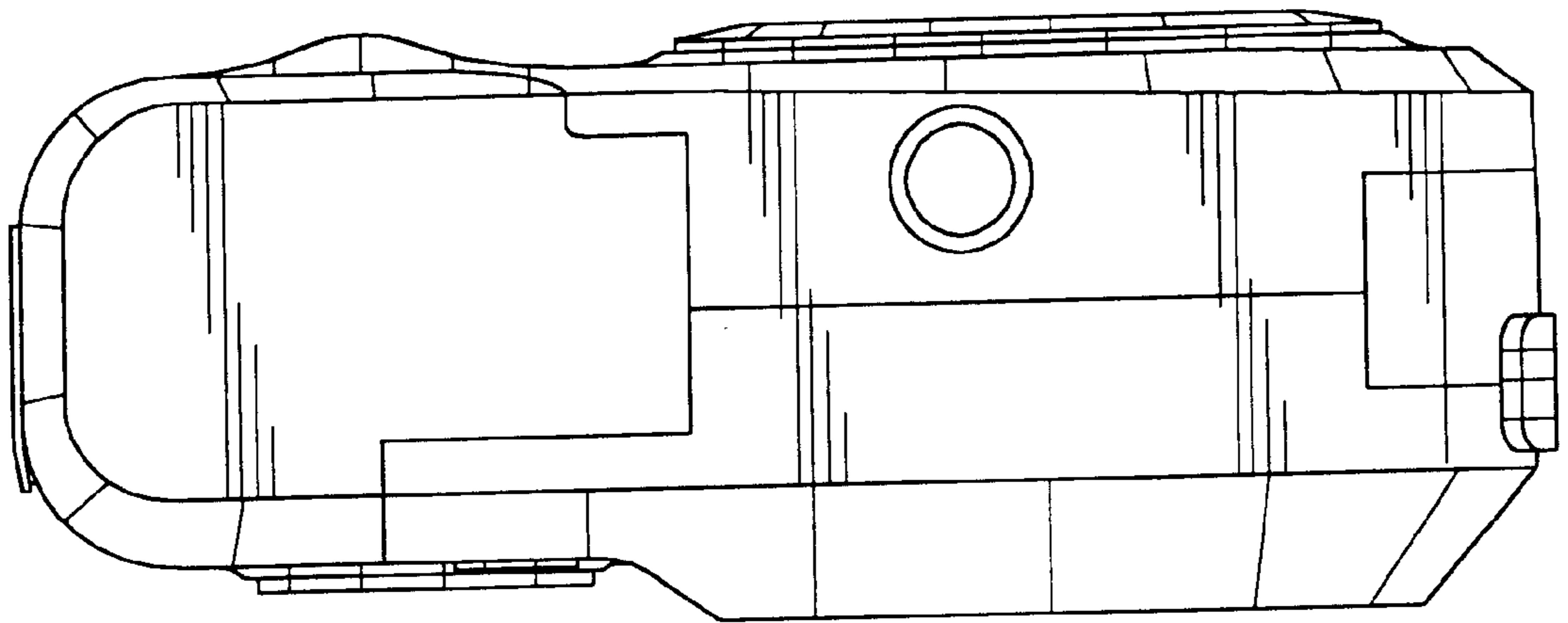


FIG. 7