



US00D481402S

(12) **United States Design Patent**
Jenkins et al.

(10) **Patent No.:** **US D481,402 S**

(45) **Date of Patent:** **** Oct. 28, 2003**

(54) **WORK HOLDING JIG**

(75) Inventors: **Joseph L. Jenkins**, Jackson, TN (US);
Rockne W. Behne, Jackson, TN (US)

(73) Assignee: **Delta International Machinery Corp.**,
Jackson, TN (US)

(**) Term: **14 Years**

(21) Appl. No.: **29/154,778**

(22) Filed: **Jan. 29, 2002**

(51) **LOC (7) Cl.** **15-09**

(52) **U.S. Cl.** **D15/140**

(58) **Field of Search** D15/140; 264/303,
264/315; 269/245-248, 277-284; 144/71,
82-87, 135.2, 136.1, 137, 144.1, 144.51,
144.2, 198, 200-201, 204.2, 363, 371, 372;
83/467.1, 468.2, 469.6

(56) **References Cited**

U.S. PATENT DOCUMENTS

4,953,840 A	*	9/1990	Nishimura	269/282
D342,747 S		12/1993	Garcia		
5,597,023 A		1/1997	Heintzeman		
6,206,060 B1		3/2001	Blake		

OTHER PUBLICATIONS

Instruction Manual, Tenoning Jig (Model 34-183), Delta International Machinery Corp., Jackson, TN, May 28, 1999.
Owner's Manual, JTG-10 Tenoning Jig, Jet Equipment & Tools, Inc., Auburn, WA.

Instruction Manual, Tenoning Jig for Table Saw 142912, Woodcraft Supply Corp., Parkerburg, WV.

Instruction Manual, CANWOOD, CNW 12-30506 Tenoning Jig, House of Tools, Calgary, Canada.

Tenoning Jig, Model 50-050, Operating Maintenance Instructions, General International MFG Co. LTD, Montreal, Canada.

Manuel D' Instructions, Dispositif a Tenon, Modele K-1500, King Canada Tools, Inc., Dorval, Canada, 2000.

* cited by examiner

Primary Examiner—Antoine Duval Davis

(74) *Attorney, Agent, or Firm*—Kirkpatrick & Lockhart LLP

(57) **CLAIM**

The ornamental design for a work holding jig, as shown and described.

DESCRIPTION

FIG. 1 is a front and right side isometric view of a work holding jig showing my new design;

FIG. 2 is a front view of the design of FIG. 1;

FIG. 3 is a rear view of the design of FIGS. 1 and 2;

FIG. 4 is a top view of the of the design of FIGS. 1-3;

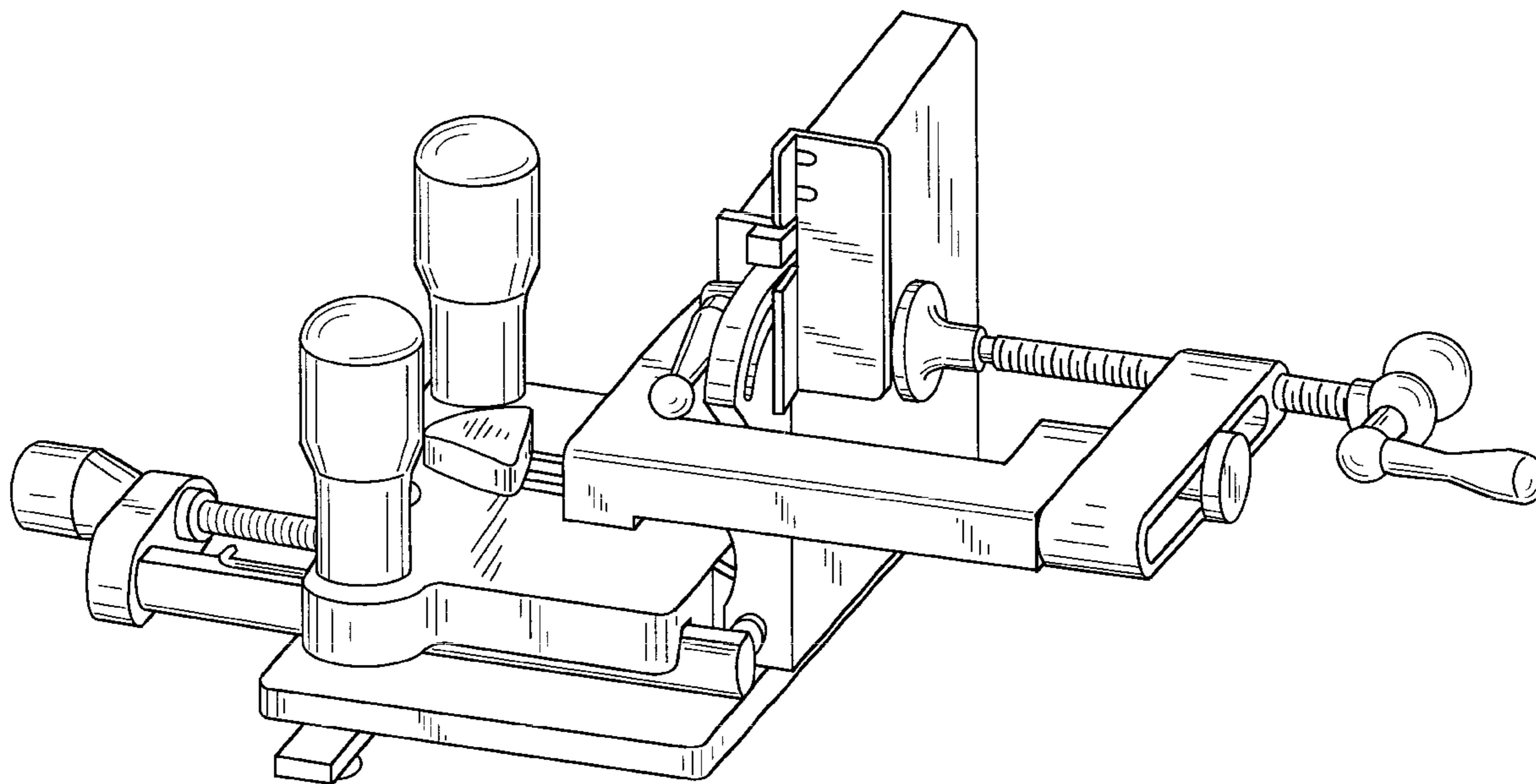
FIG. 5 is a bottom view of the of the design of FIGS. 1-4;

FIG. 6 is a right side view of the of the design of FIGS. 1-5;

FIG. 7 is a left side view of the of the design of FIGS. 1-6; and,

FIG. 8 is a rear and right side isometric view of the design of FIGS. 1-7.

1 Claim, 8 Drawing Sheets



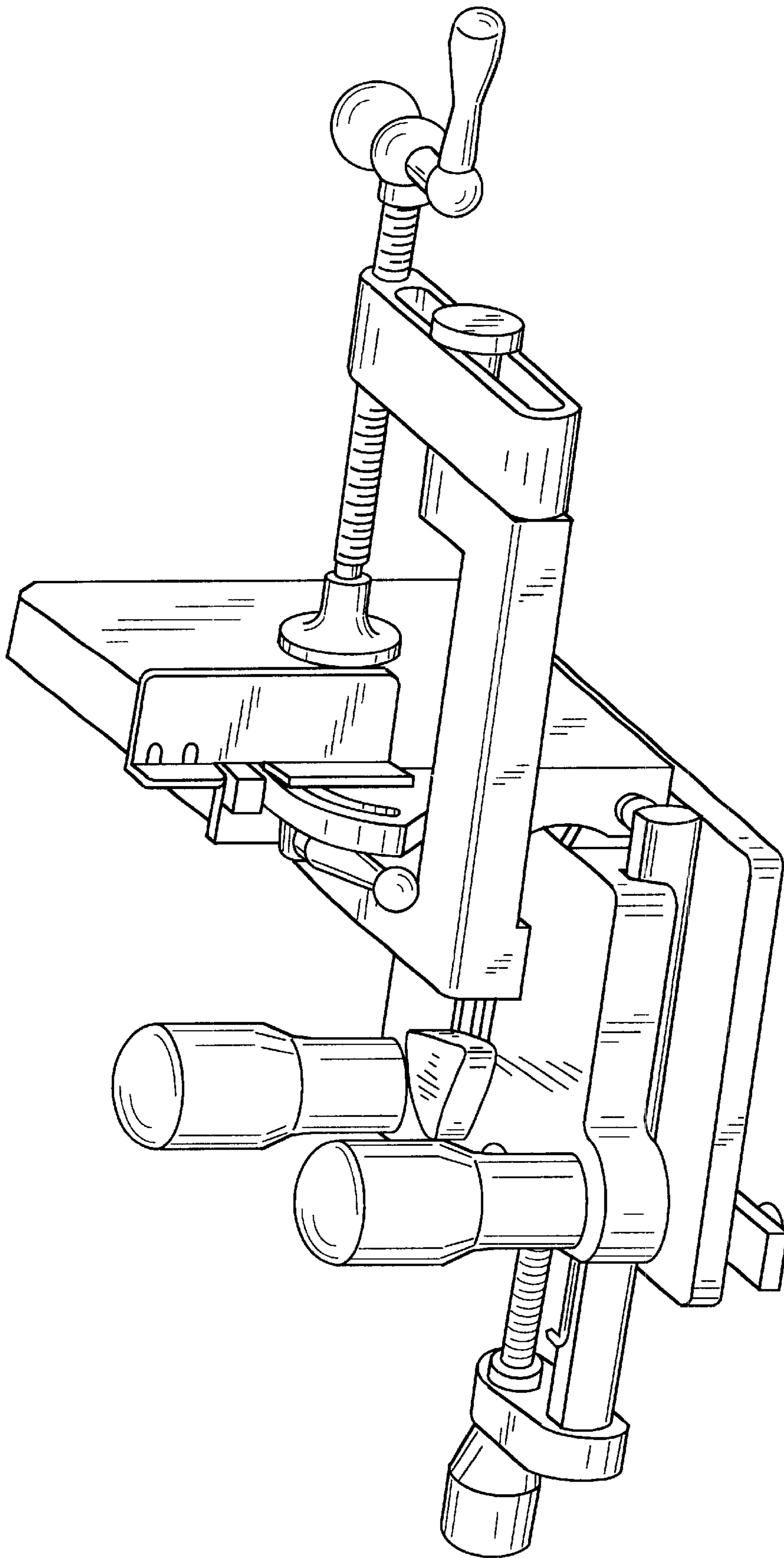


FIG. 1

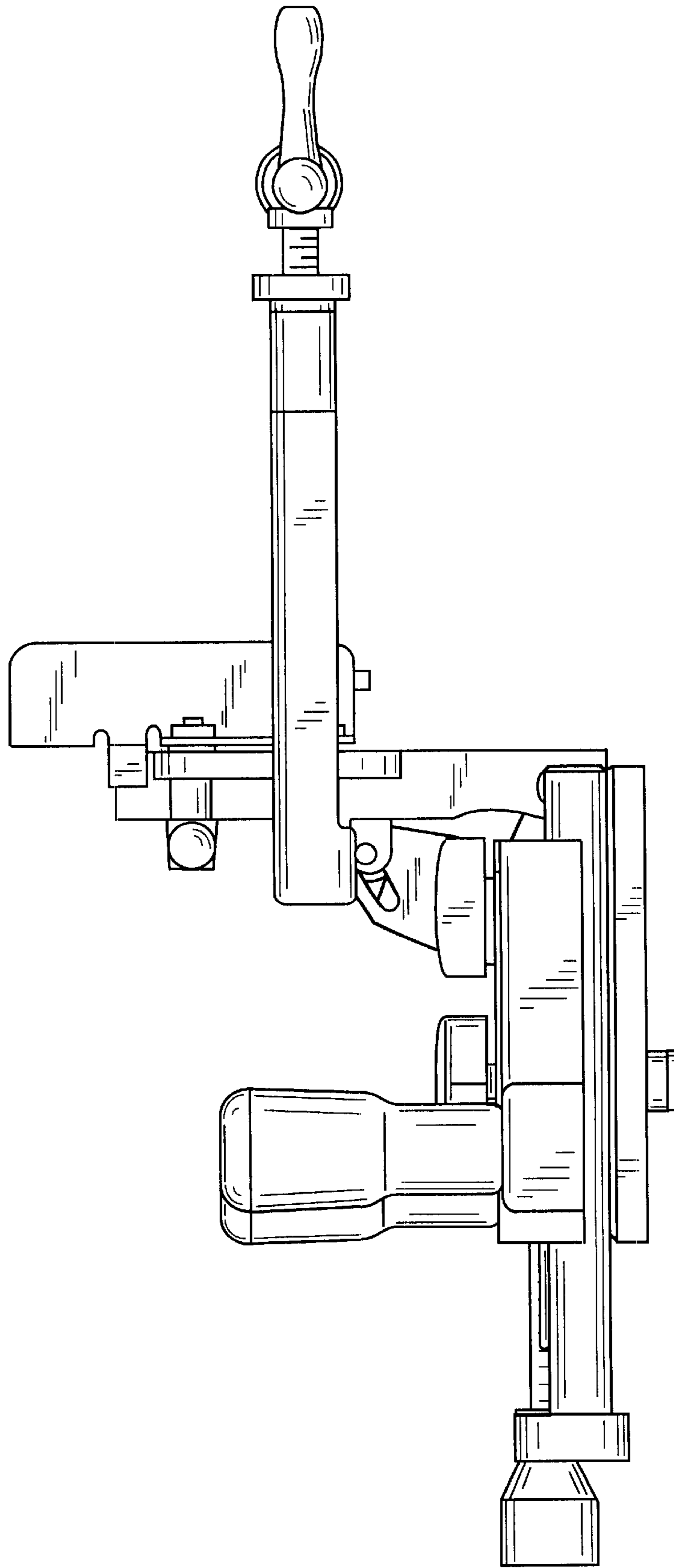


FIG. 2

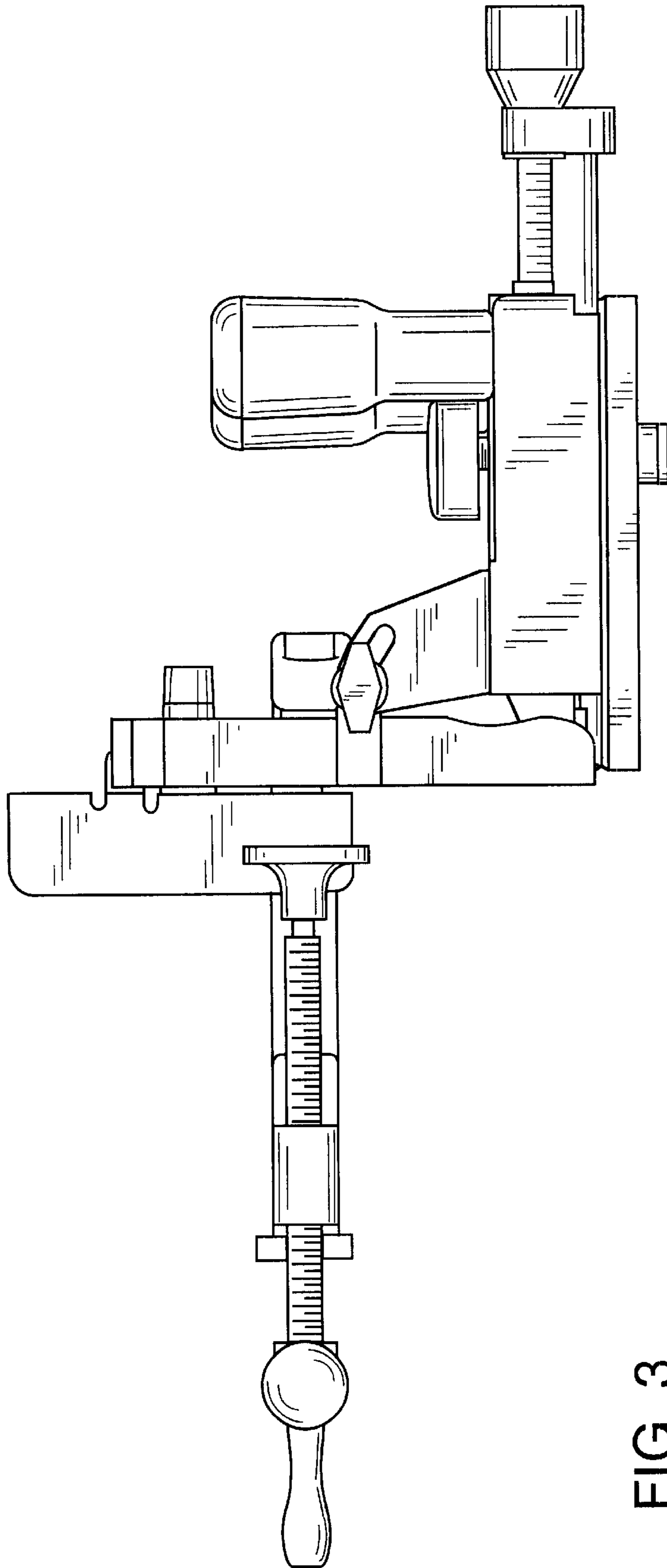


FIG. 3

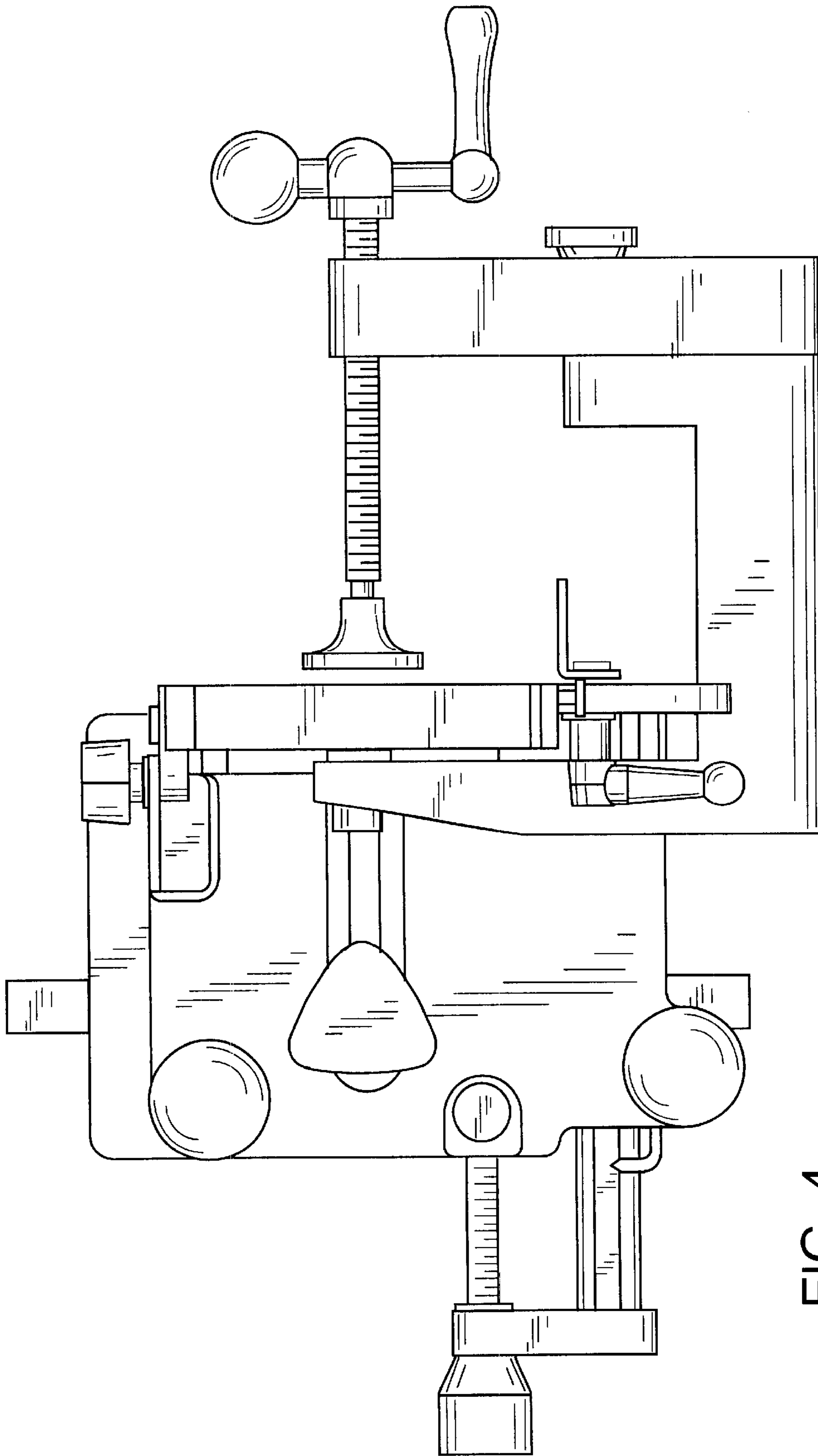


FIG. 4

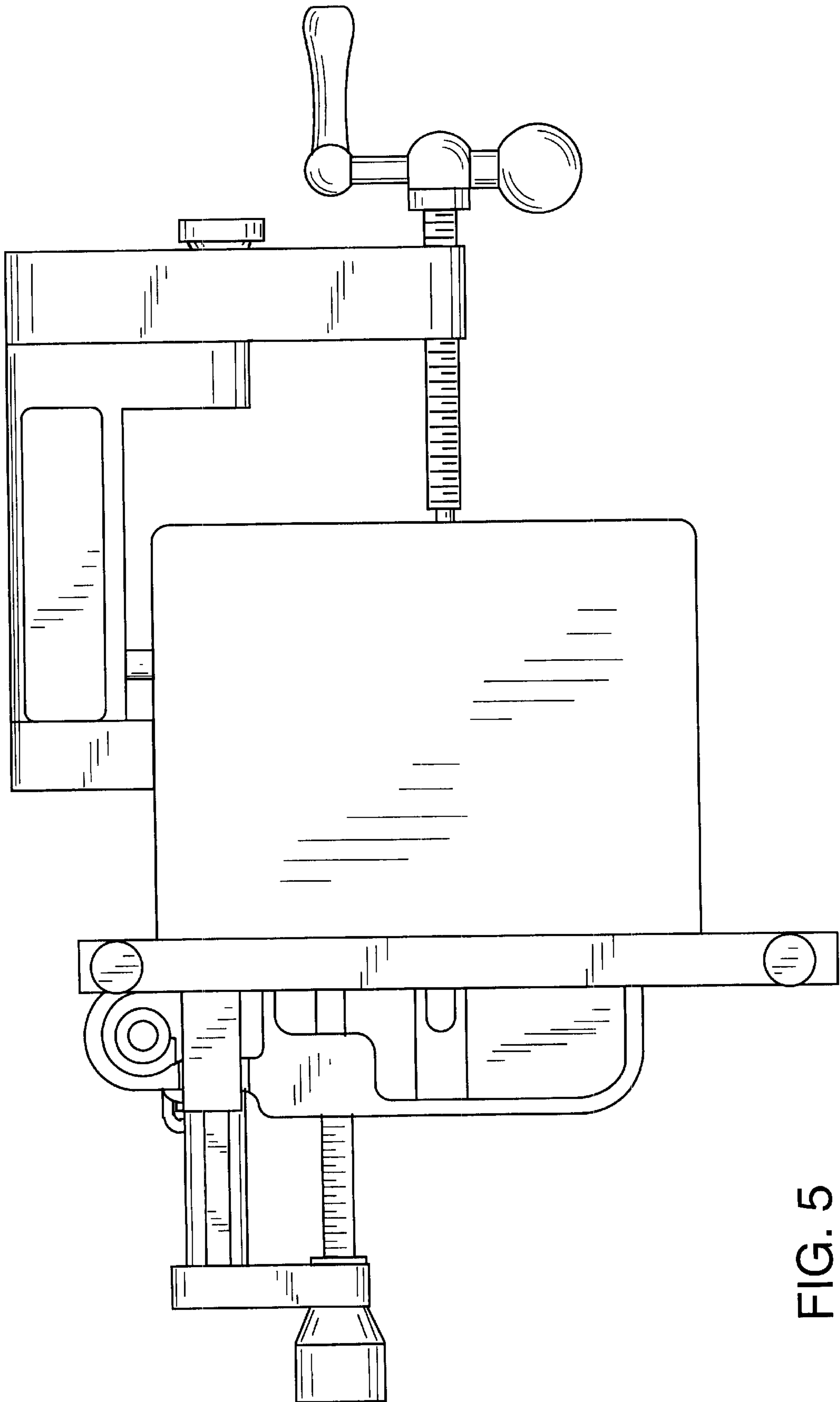


FIG. 5

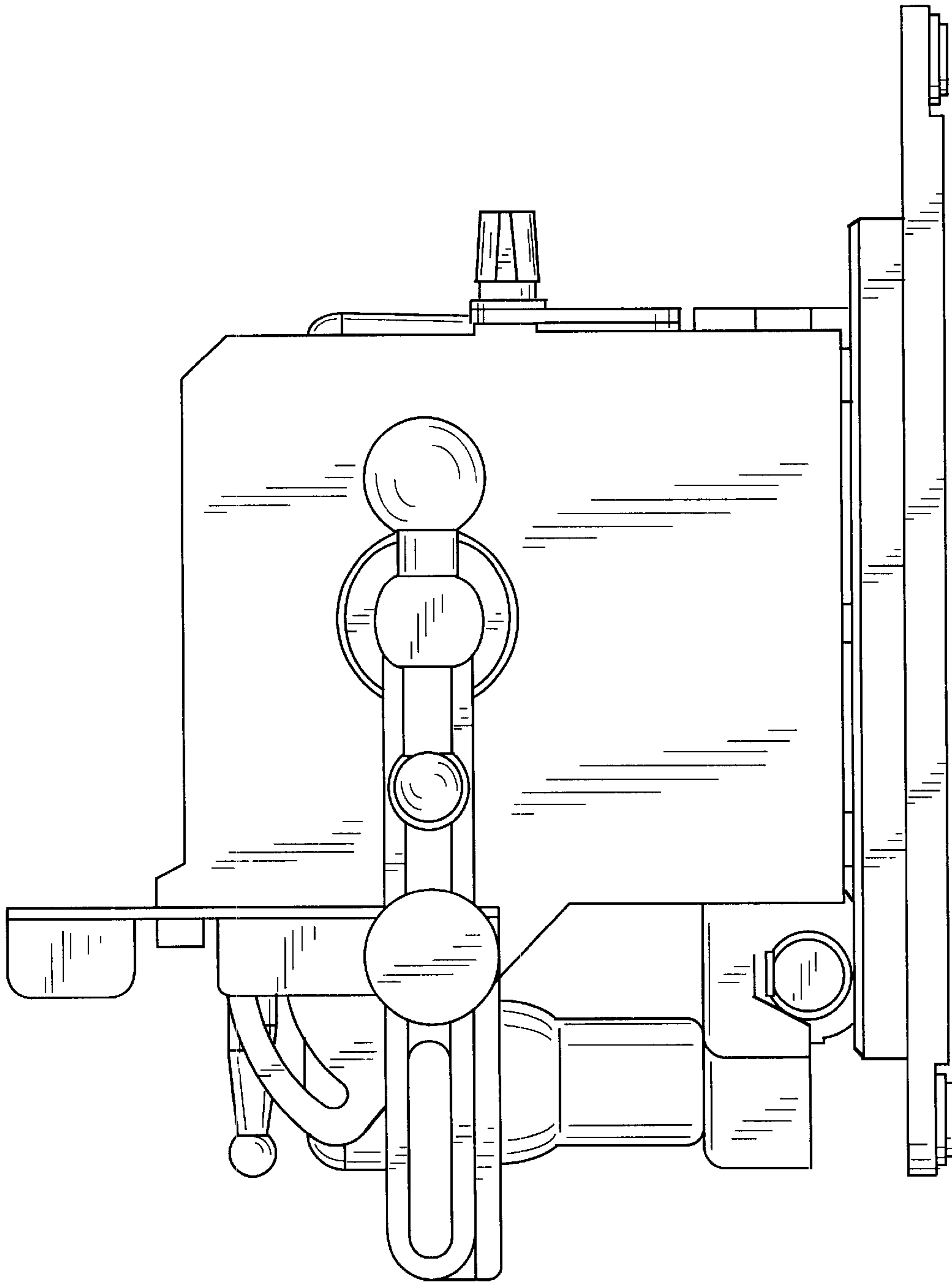


FIG. 6

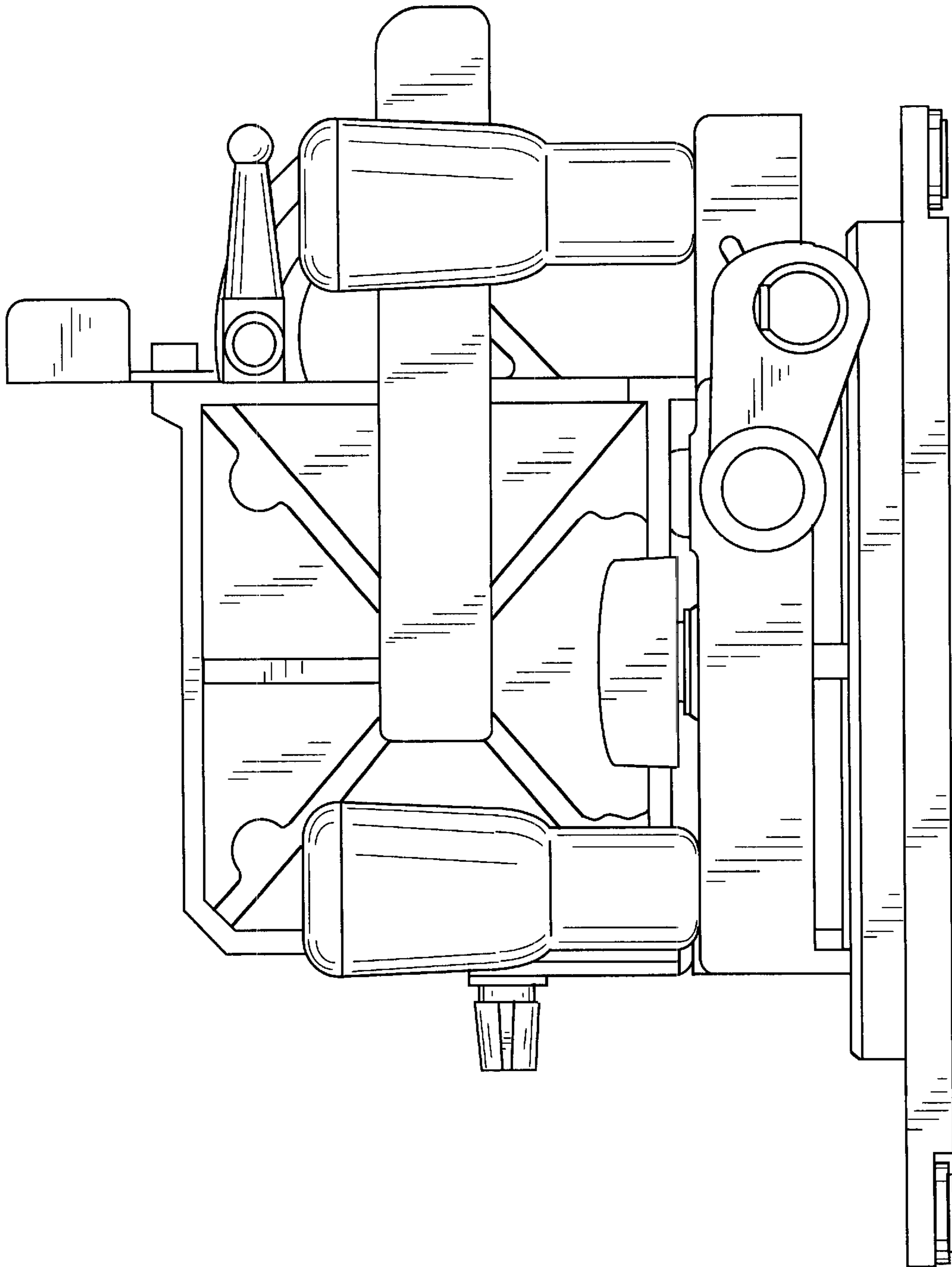


FIG. 7

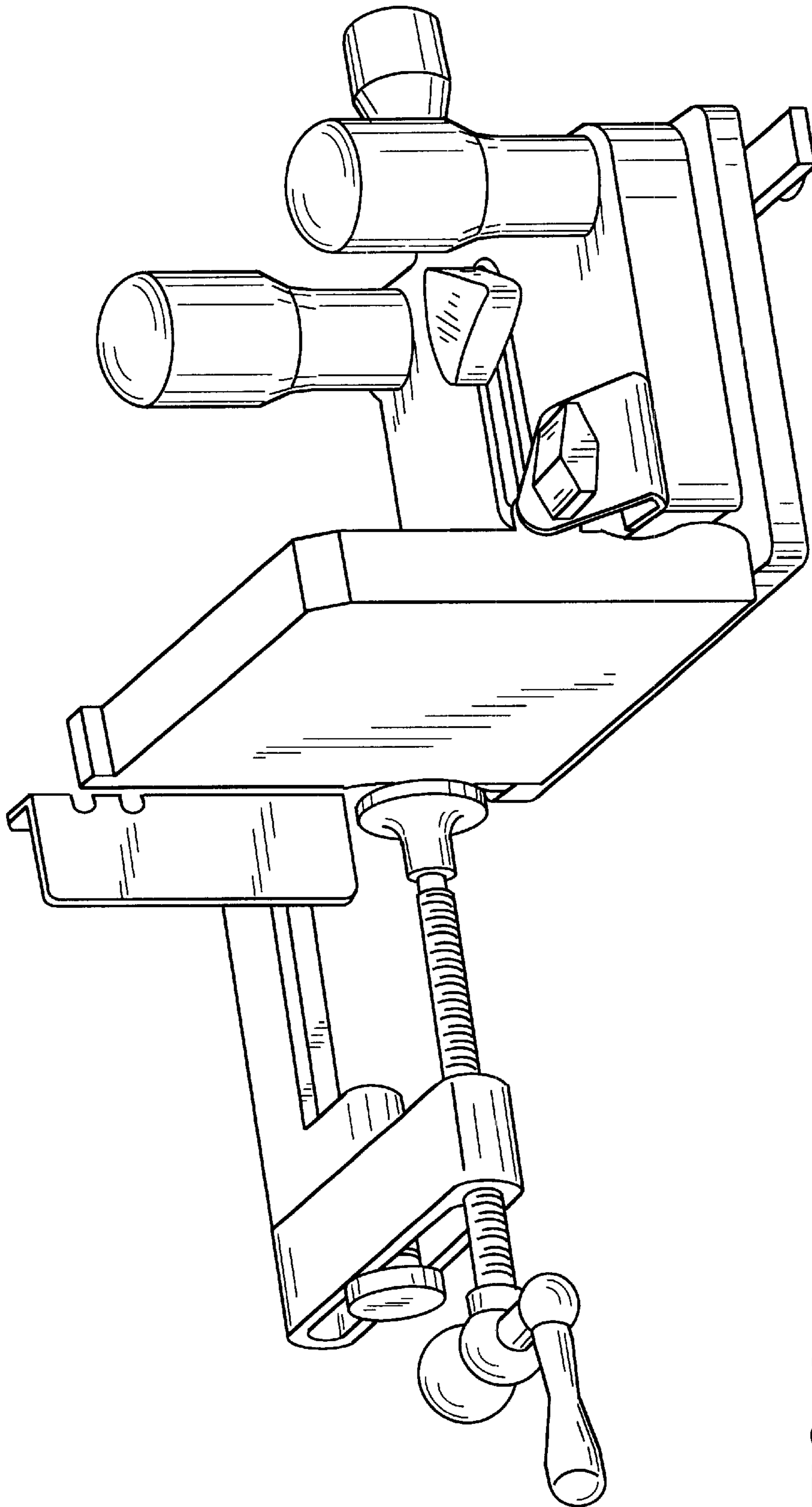


FIG. 8