



US00D481401S

(12) **United States Design Patent**
Shoene et al.

(10) **Patent No.:** **US D481,401 S**

(45) **Date of Patent:** **** Oct. 28, 2003**

(54) **COMPOUND MITER SAW**

(75) Inventors: **Keith R. Shoene**, St. Charles, MO (US); **Jason E. Hill**, University City, MO (US); **Daniel A. Terpstra**, Kirkwood, MO (US)

(73) Assignee: **Emerson Electric Co.**, St. Louis, MO (US)

(**) Term: **14 Years**

(21) Appl. No.: **29/170,373**

(22) Filed: **Nov. 5, 2002**

(51) **LOC (7) Cl.** **15-09**

(52) **U.S. Cl.** **D15/133**

(58) **Field of Search** D15/133; 83/471.1-471.3, 83/477, 581

D338,605 S	*	8/1993	Dehari	D15/133
D351,393 S	*	10/1994	Sasaki et al.	D15/133
D374,803 S		10/1996	Terpstra et al.	D8/66
5,623,860 A		4/1997	Schoene et al.	83/471.3
5,730,434 A		3/1998	Schoene et al.	269/88
D400,452 S		11/1998	Schoene et al.	D10/65
D412,510 S	*	8/1999	Chen	D15/133
6,470,778 B1	*	10/2002	Kaye, Jr. et al.	83/471.3 X
6,520,059 B1	*	2/2003	Stumpf et al.	83/471.3
6,532,853 B1	*	3/2003	Kakimoto et al.	83/471.3 X

* cited by examiner

Primary Examiner—Antoine Duval Davis

(74) *Attorney, Agent, or Firm*—Howrey Simon Arnold & White LLP

(57) **CLAIM**

The ornamental design for a compound miter saw, as shown and described.

DESCRIPTION

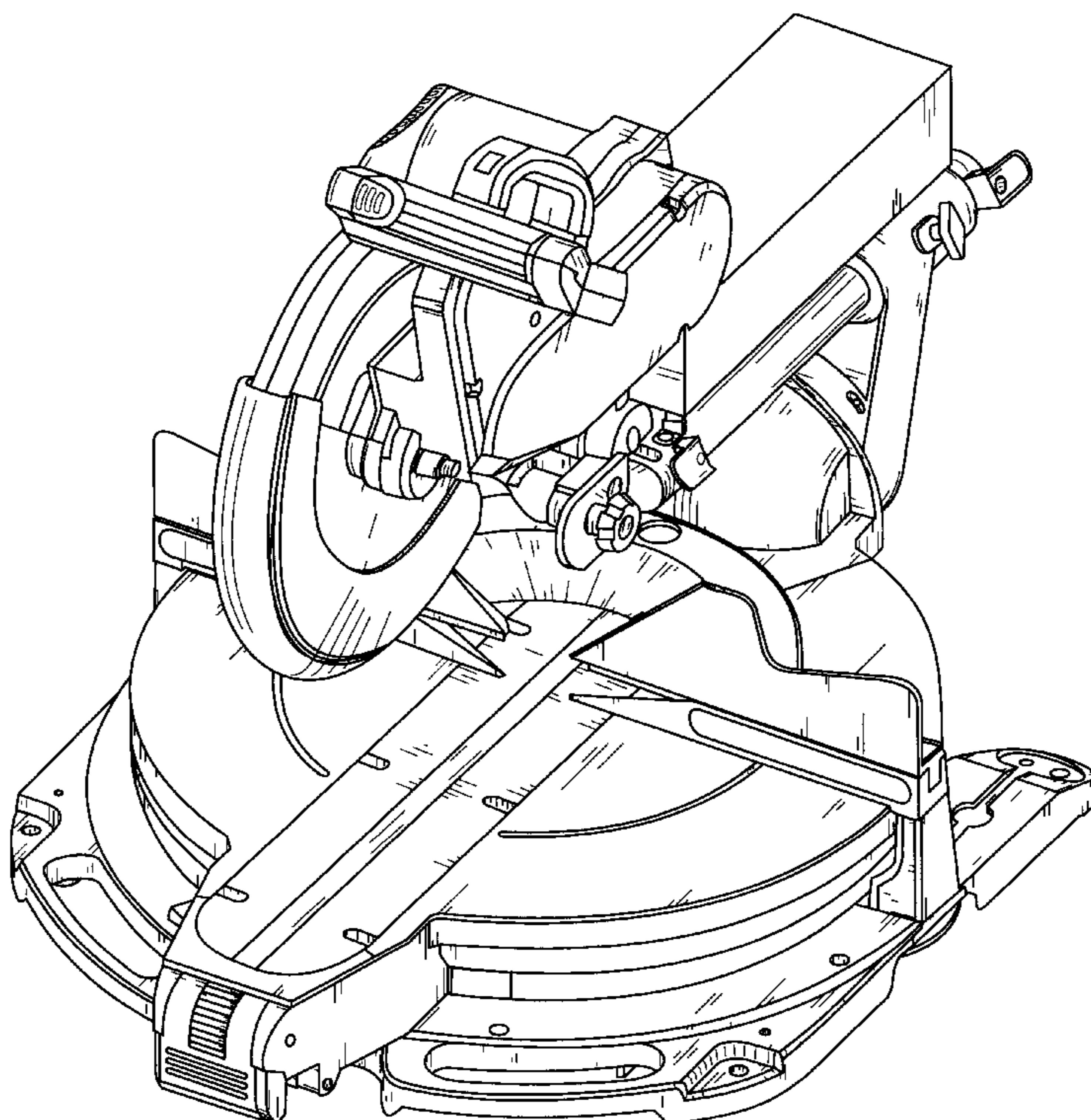
FIG. 1 is a front and right perspective view of a compound miter saw showing our new design; FIG. 2 is a front and left perspective view thereof; FIG. 3 is a rear and right view thereof; FIG. 4 is a rear and left view thereof; FIG. 5 is a front view thereof; FIG. 6 is a rear view thereof; FIG. 7 is a left side view thereof; FIG. 8 is a right side view thereof; FIG. 9 is a top view thereof; and, FIG. 10 is a bottom view thereof.

1 Claim, 10 Drawing Sheets

(56) **References Cited**

U.S. PATENT DOCUMENTS

4,011,782 A	3/1977	Clark et al.	83/471.3
4,452,117 A	6/1984	Brickner et al.	83/467
4,581,966 A	4/1986	Kaiser et al.	83/397
4,638,700 A	1/1987	Fushiya et al.	83/467
4,934,233 A	6/1990	Brundage et al.	83/397
D317,110 S	5/1991	Arehart	D8/66
5,042,348 A	8/1991	Brundage et al.	83/471.3
5,063,805 A	11/1991	Brundage	83/468.3
D326,668 S	6/1992	Arehart et al.	D15/133
5,181,448 A	1/1993	Terpstra	83/468.3
D336,652 S	6/1993	Arehart	D15/133



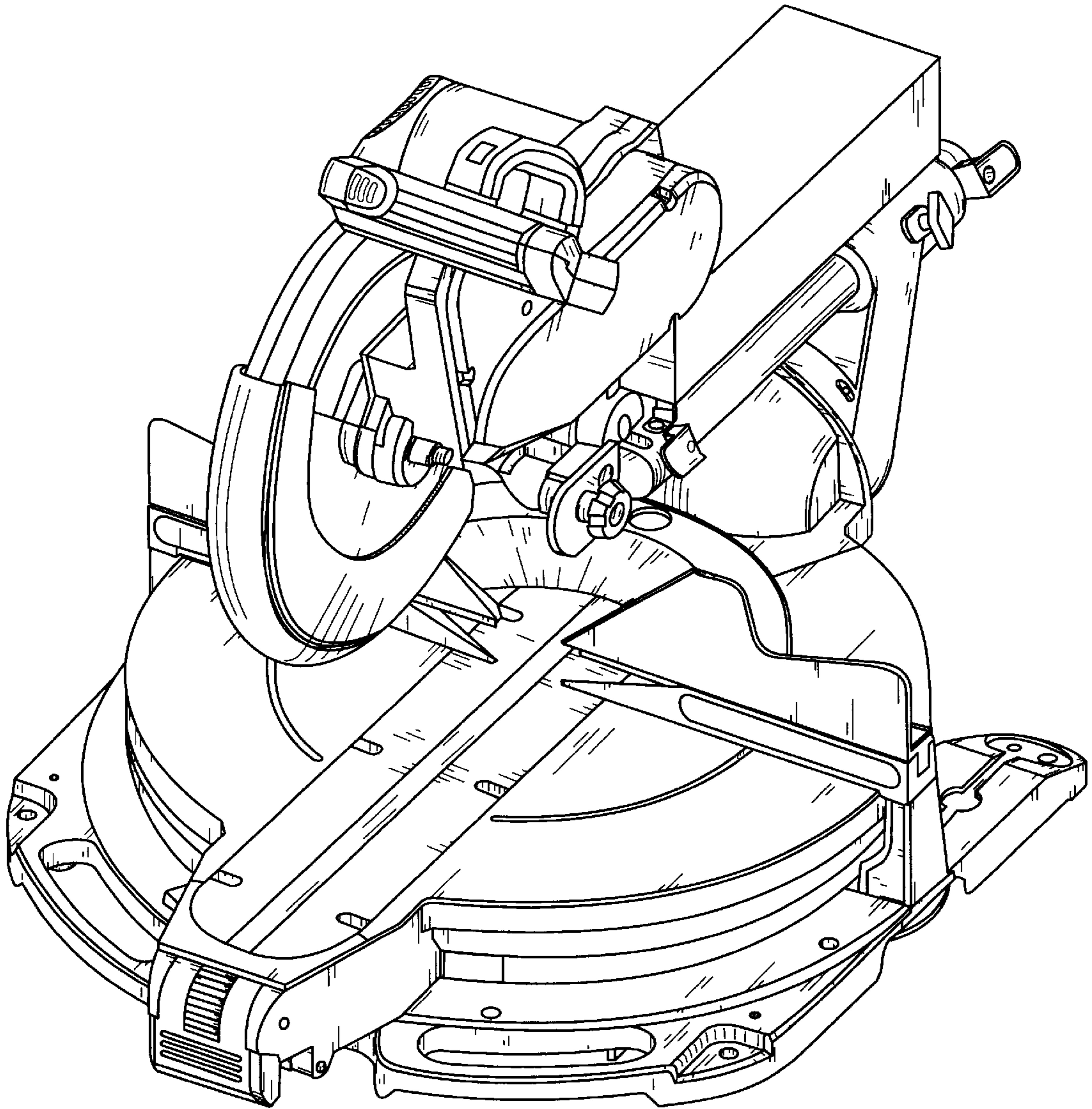


FIG. 1

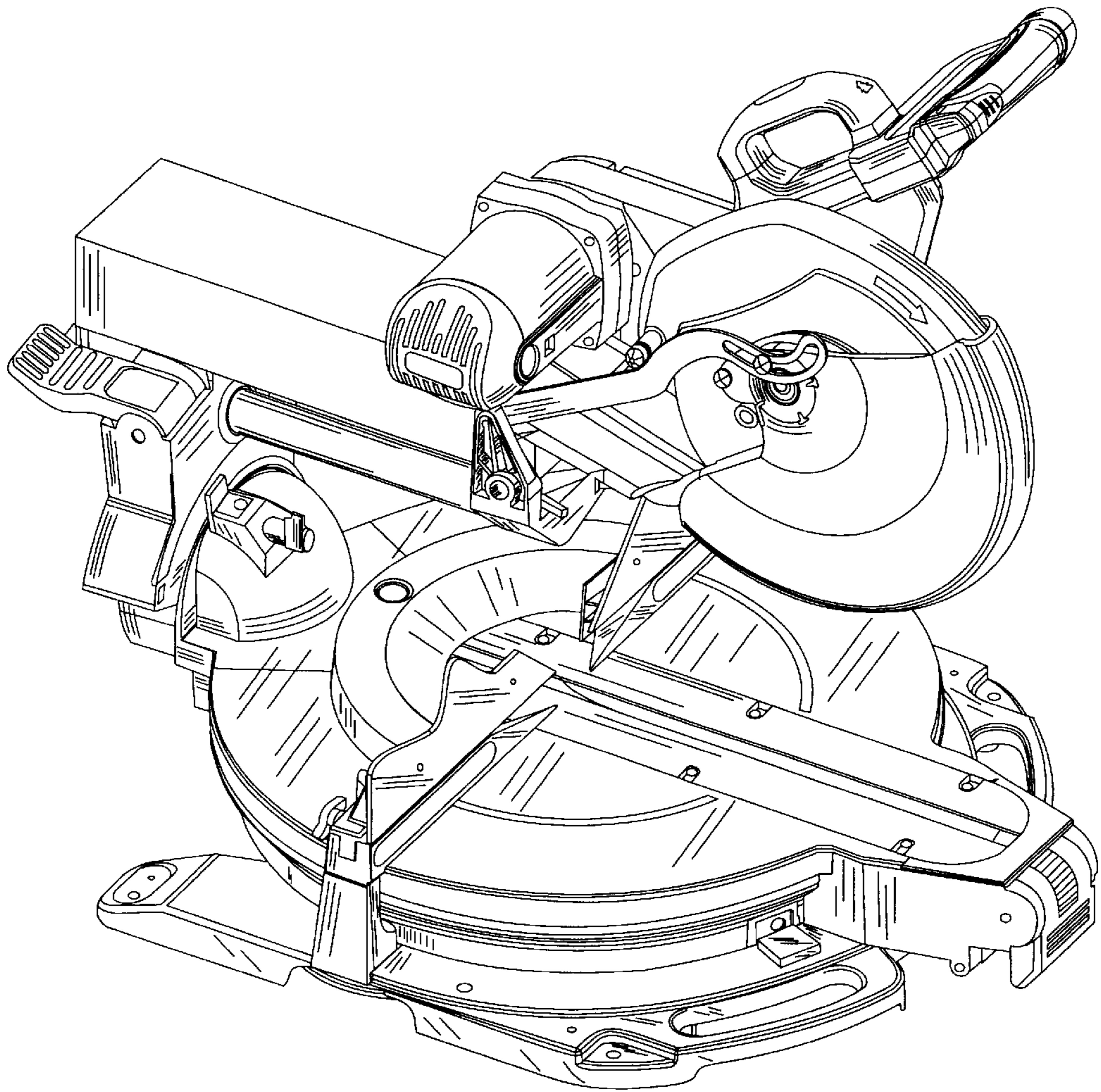


FIG. 2

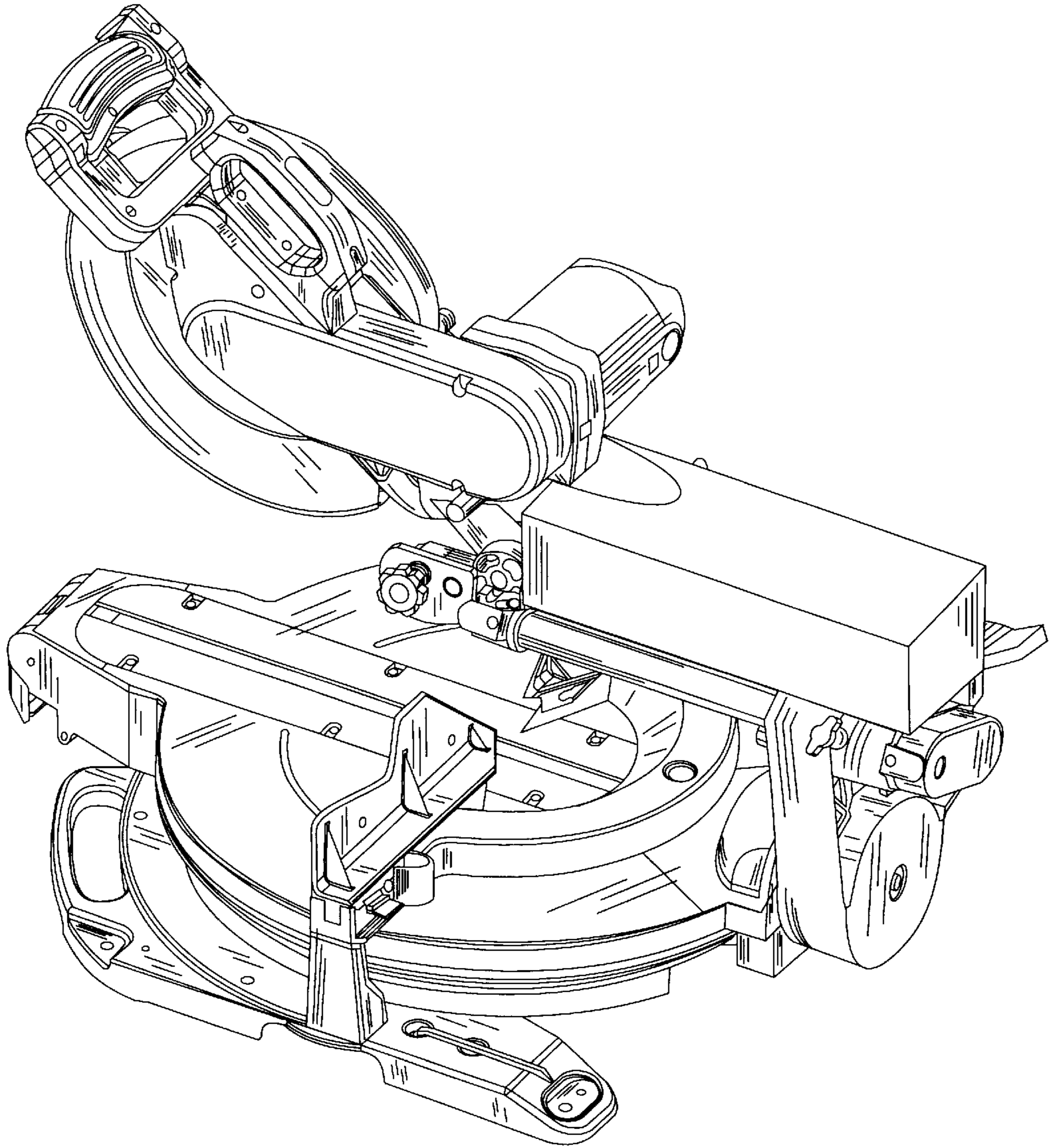


FIG. 3

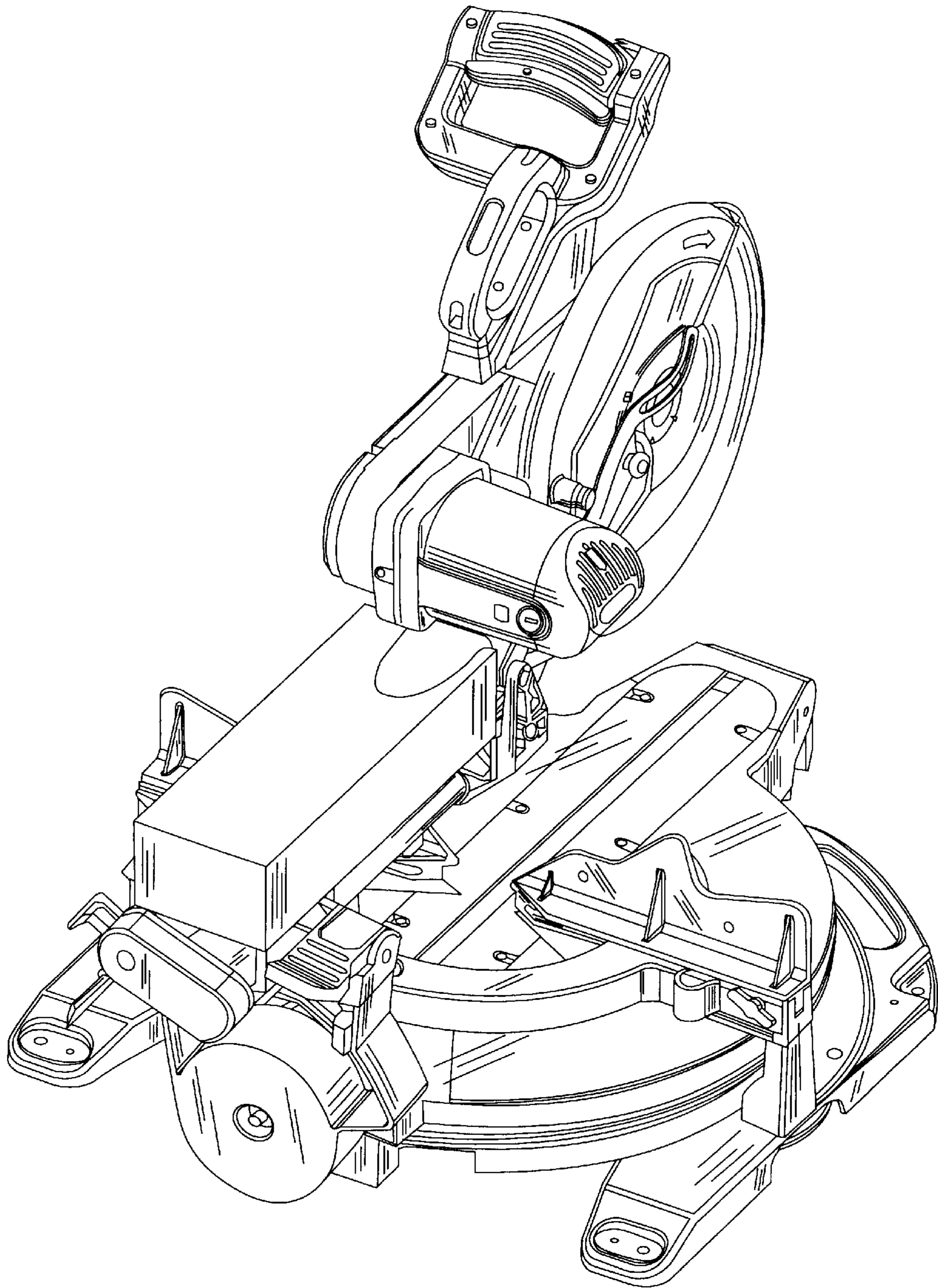


FIG. 4

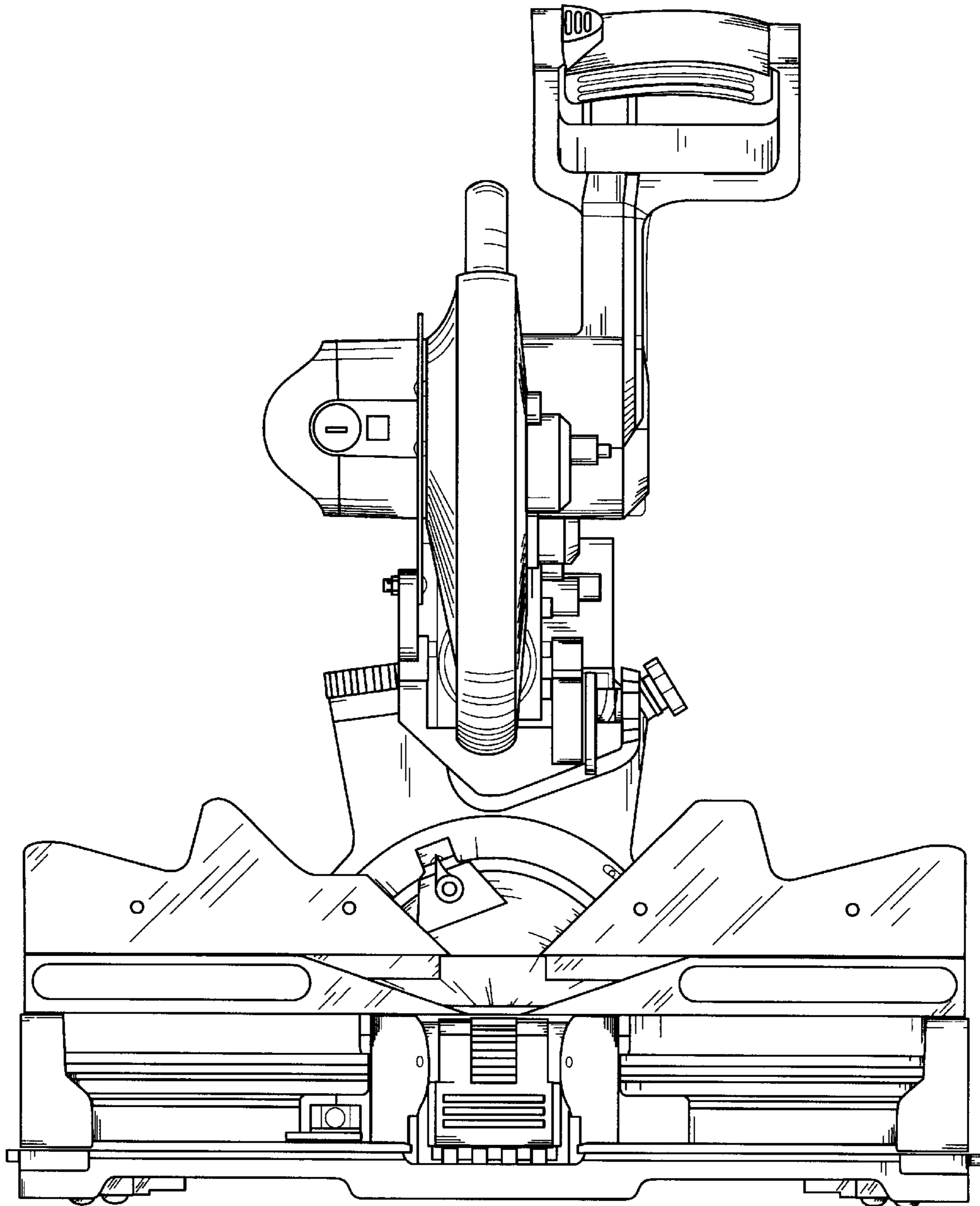


FIG. 5

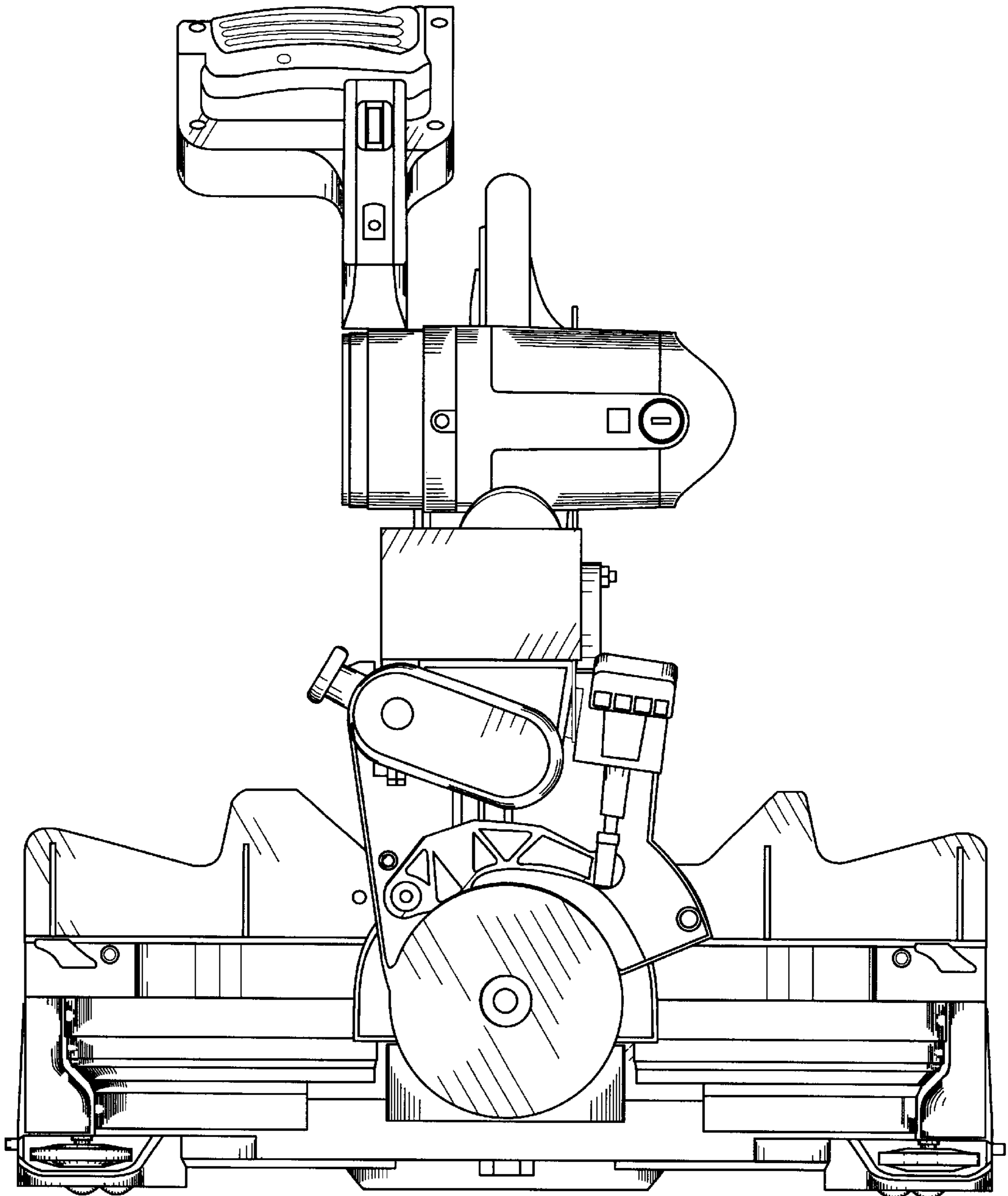


FIG. 6

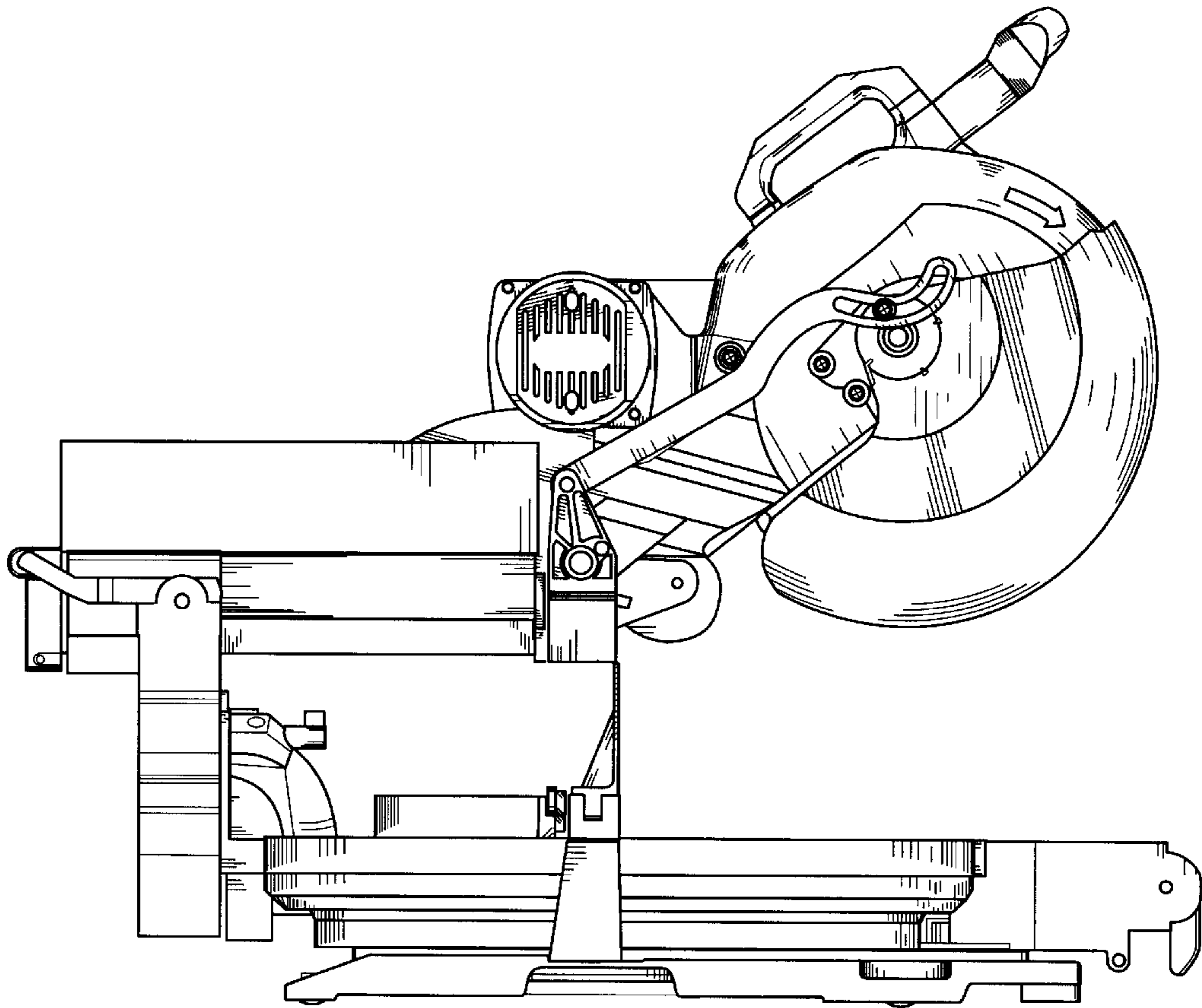


FIG. 7

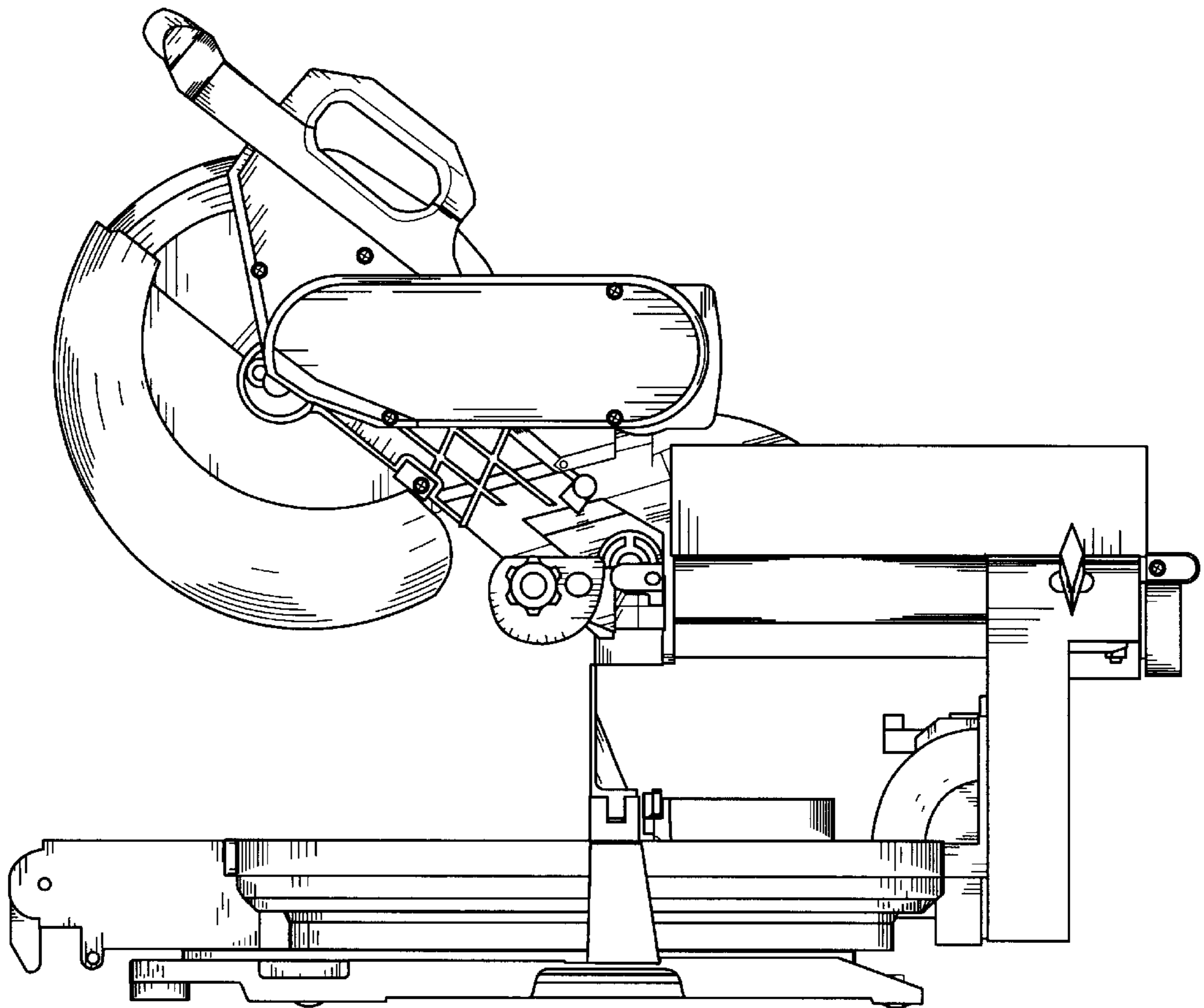


FIG. 8

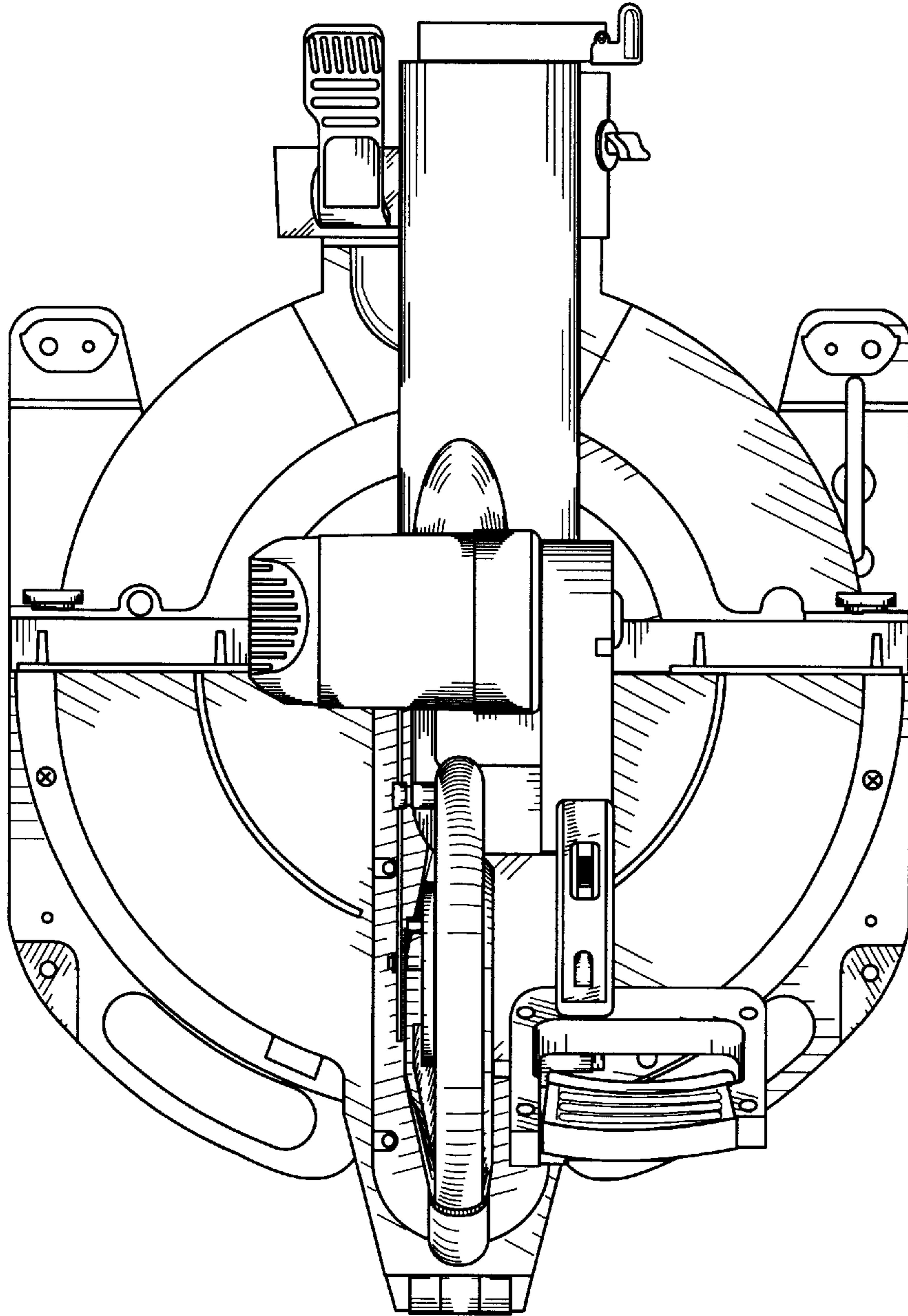


FIG. 9

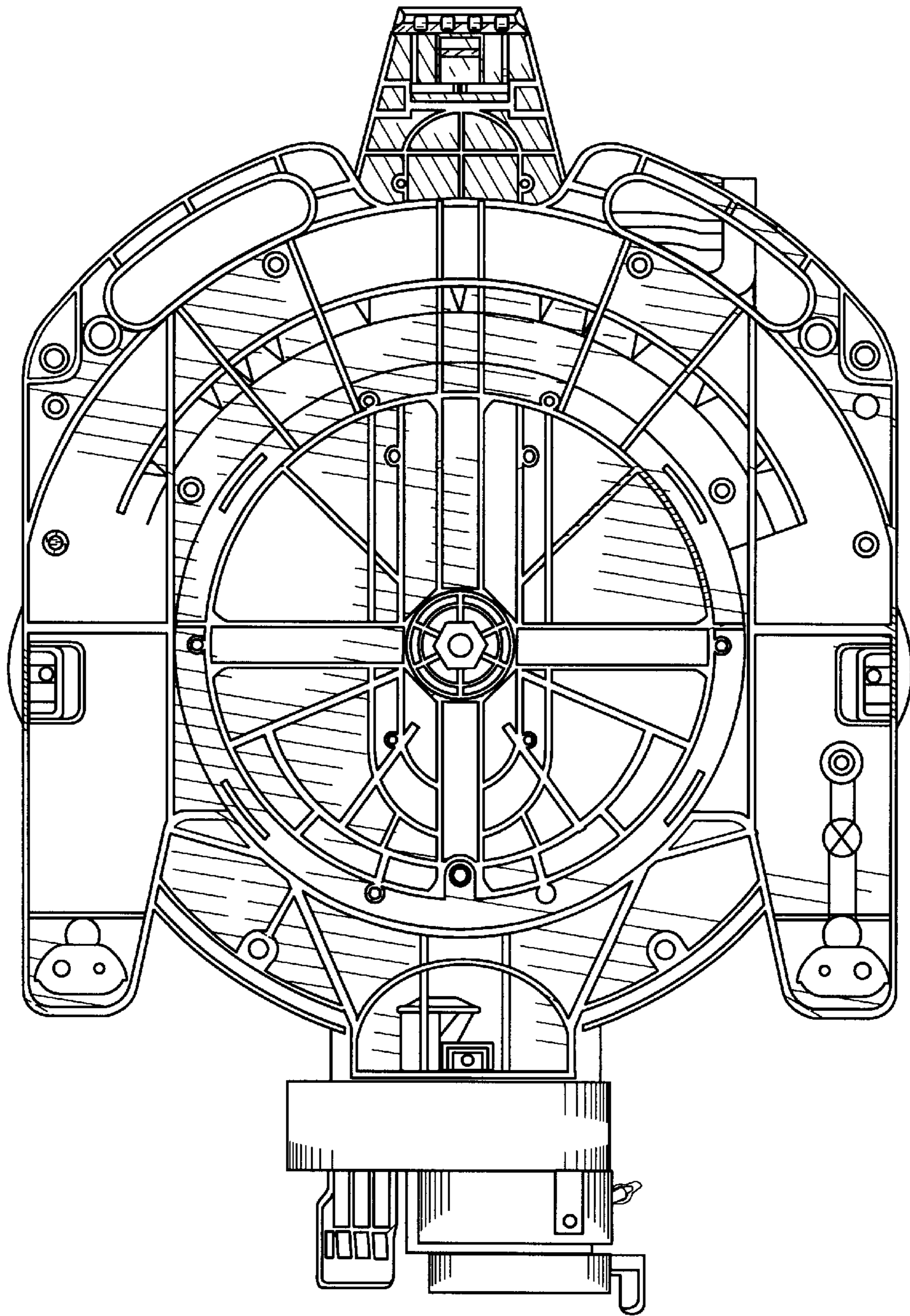


FIG. 10