



US00D481400S

(12) **United States Design Patent**
Sintjan et al.

(10) **Patent No.:** **US D481,400 S**

(45) **Date of Patent:** **** Oct. 28, 2003**

(54) **REFRIGERATOR**

(75) Inventors: **Wim Van Sintjan**, Kontich (BE);
Fabrice Vyvey, Kontich (BE)

(73) Assignees: **Print & Display Naamloze**
Vennotschap, Kontich (BE); **A.F.M.**
Europ, Besloten Vennotschap Met
Beperkte Aansprakelijkheid, Kontich
(BE)

(**) Term: **14 Years**

(21) Appl. No.: **29/168,017**

(22) Filed: **Sep. 26, 2002**

(30) **Foreign Application Priority Data**

Mar. 28, 2002 (WO) DM/060 490

(51) **LOC (7) Cl.** **15-07**

(52) **U.S. Cl.** **D15/81**

(58) **Field of Search** D15/79-89; 62/246-254,
62/293, 441, 444, 445, 457.1-457.9; 312/114,
116, 117, 119, 138.1, 139.2, 234.1, 236

(56) **References Cited**

U.S. PATENT DOCUMENTS

D376,157 S * 12/1996 Branz et al. D15/81

D420,367 S * 2/2000 Trulaske, Sr. D15/81

D450,068 S * 11/2001 Gadrix et al. D15/81

* cited by examiner

Primary Examiner—Mitchell Siegel

(74) *Attorney, Agent, or Firm*—Bacon & Thomas, PLLC

(57) **CLAIM**

The ornamental design for a refrigerator, as shown.

DESCRIPTION

FIG. 1 is a front perspective view of a refrigerator, showing our new design;

FIG. 2 is a rear perspective view thereof;

FIG. 3 is a front elevational view thereof;

FIG. 4 is a rear elevational view thereof;

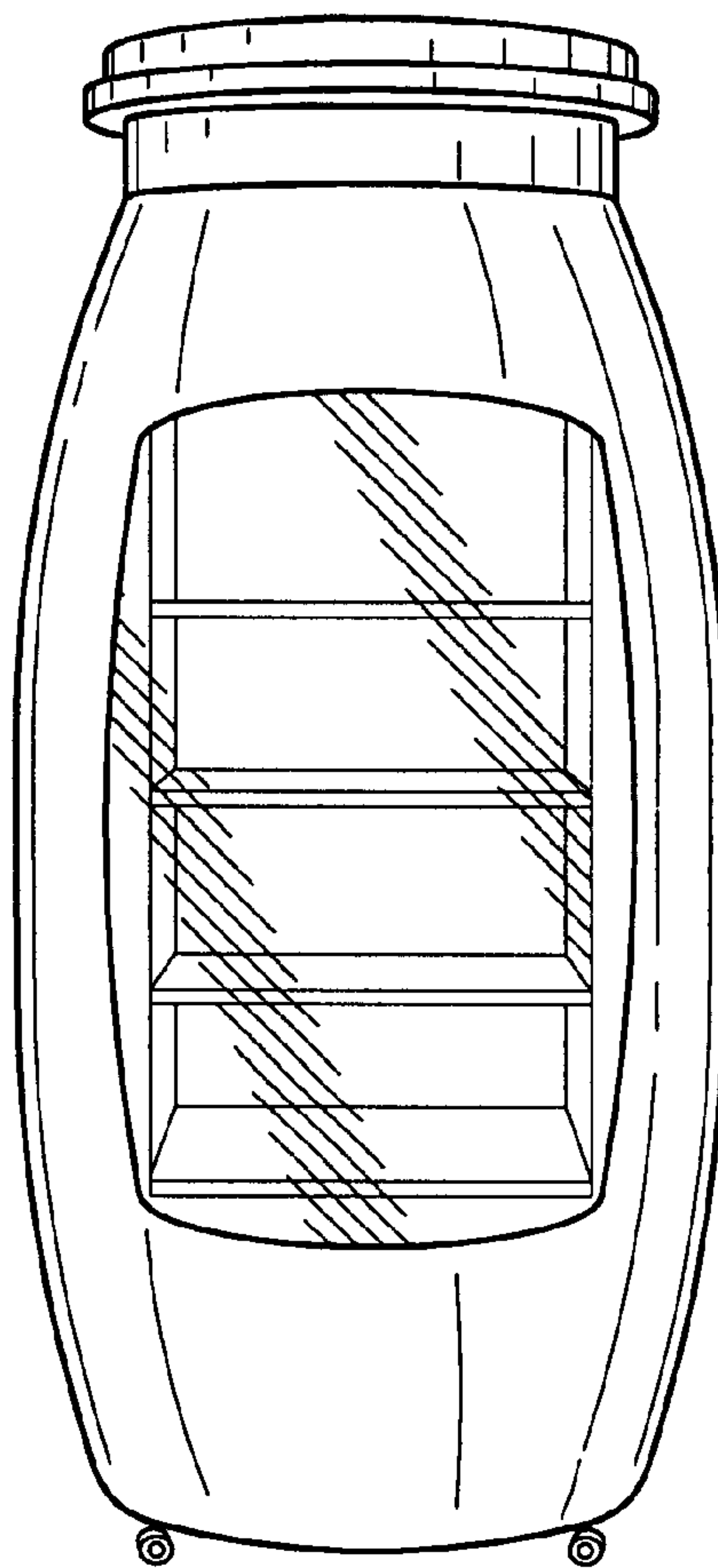
FIG. 5 is a left side view thereof;

FIG. 6 is a right side view thereof;

FIG. 7 is a top view thereof; and,

FIG. 8 is a bottom view thereof.

1 Claim, 2 Drawing Sheets



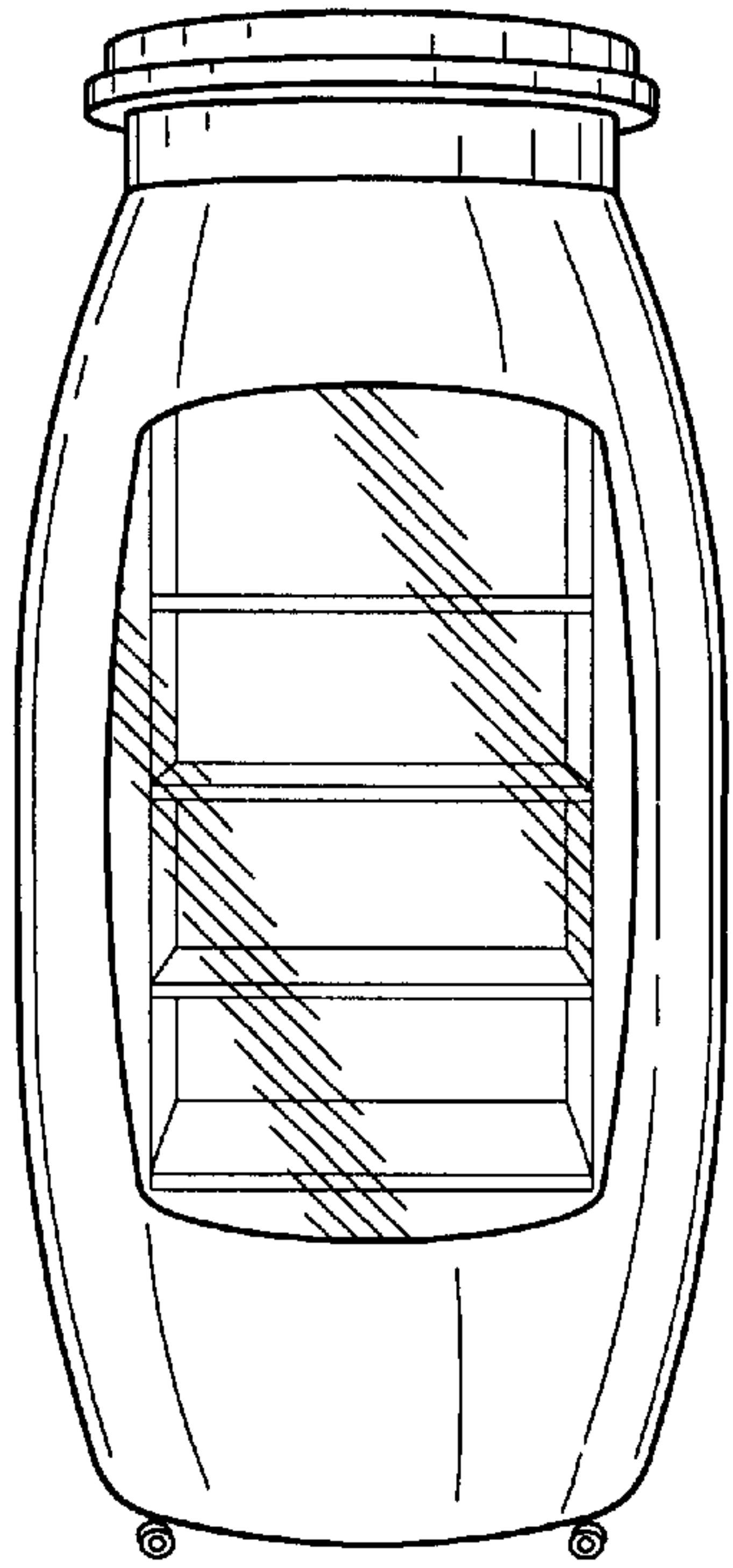


FIG. 1

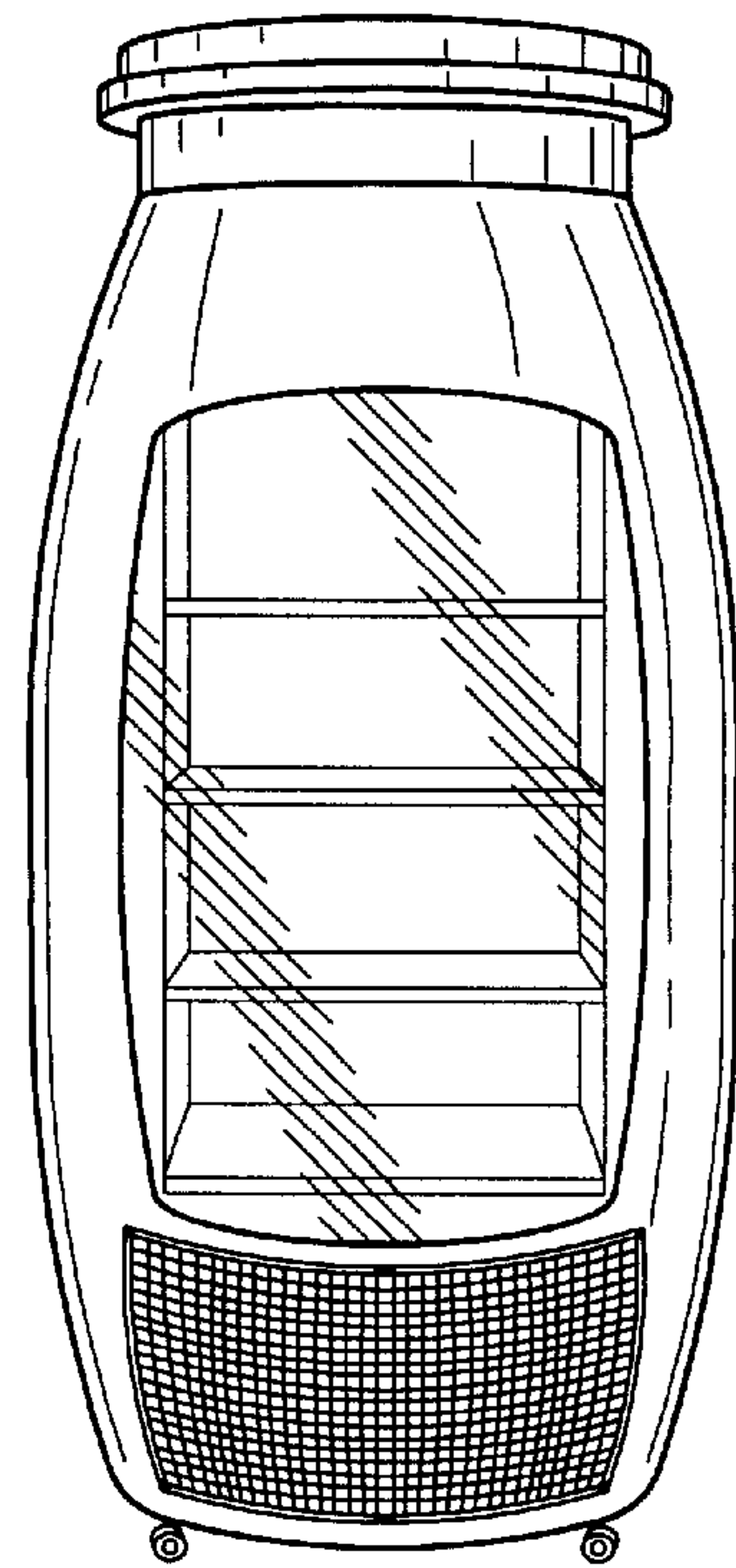


FIG. 2

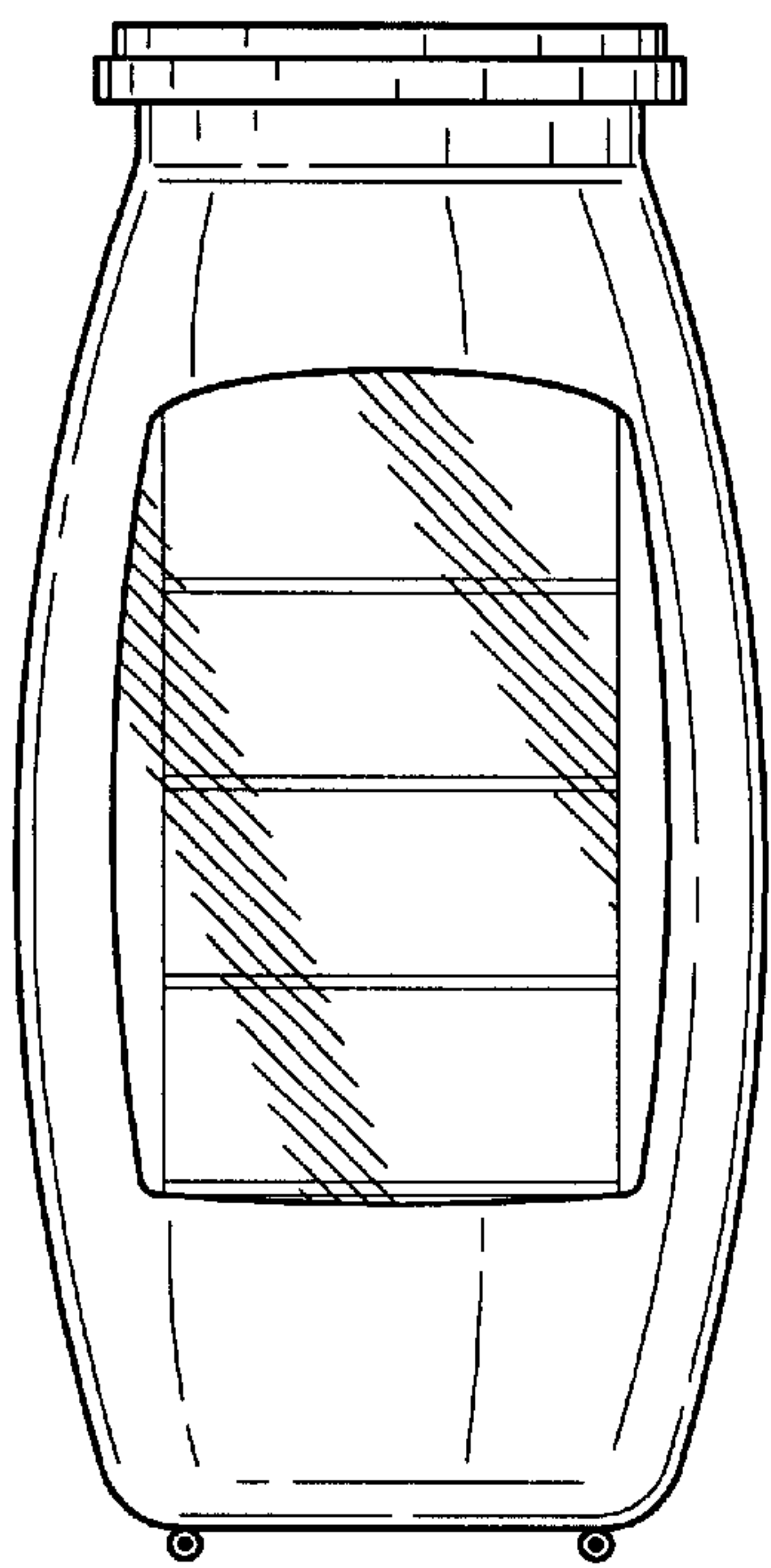


FIG. 3

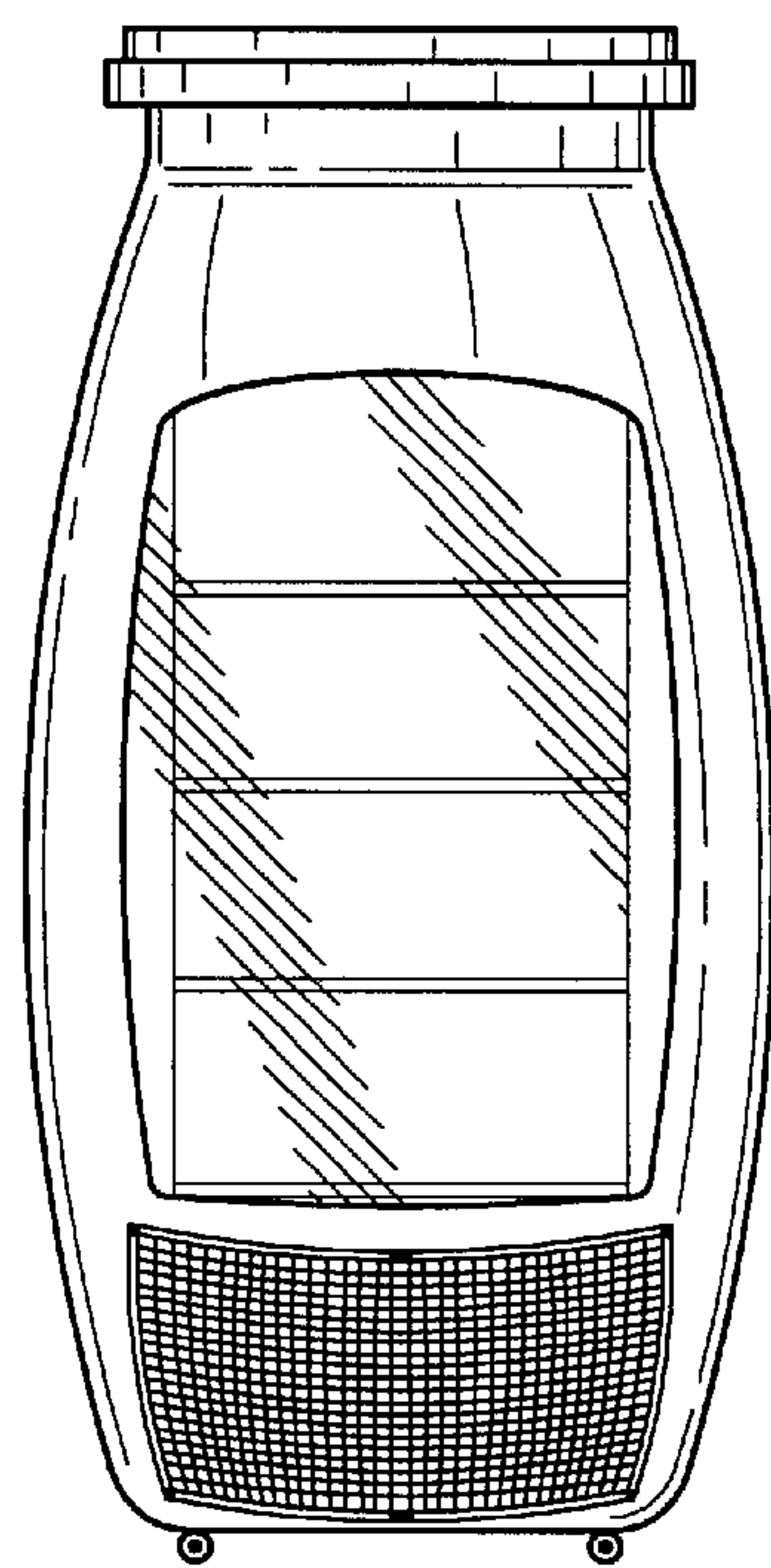


FIG. 4

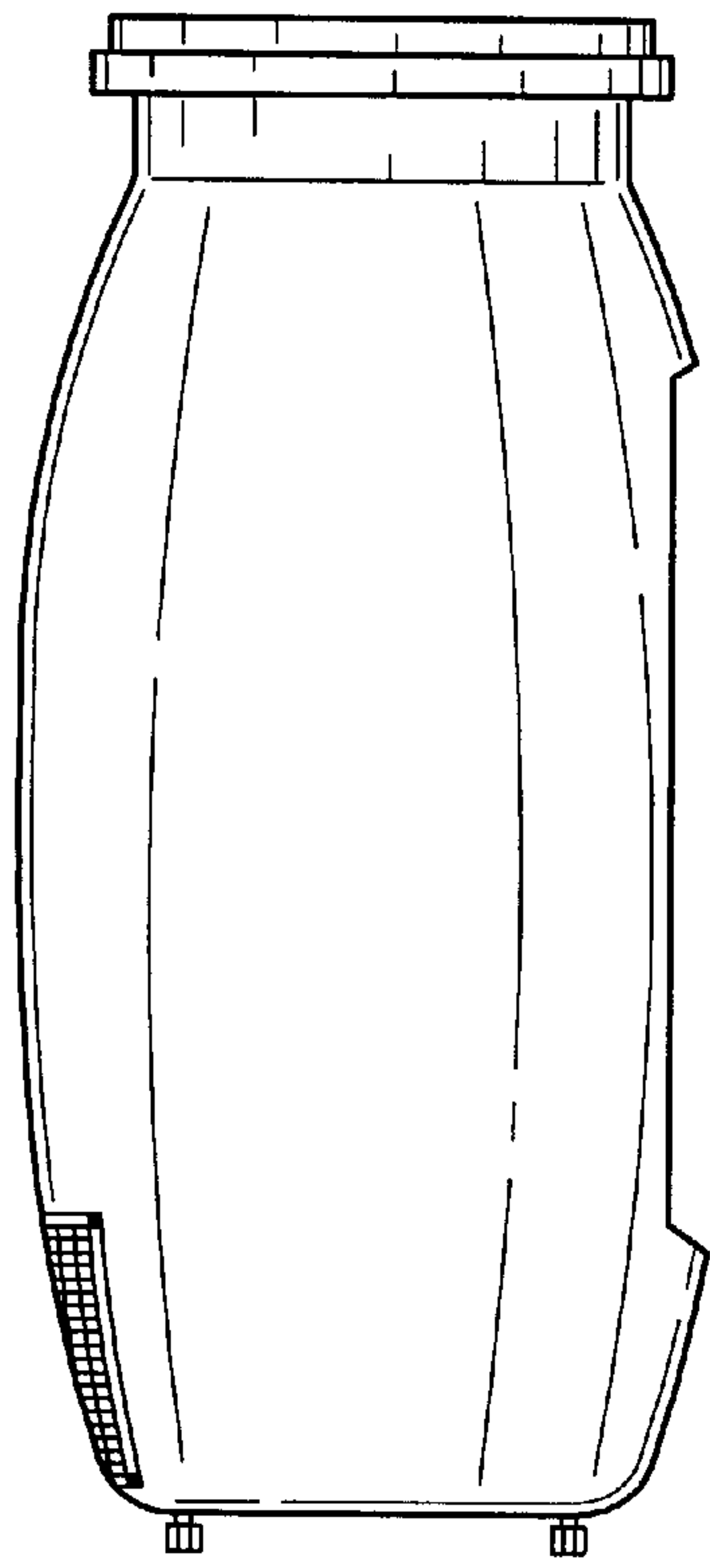


FIG. 5

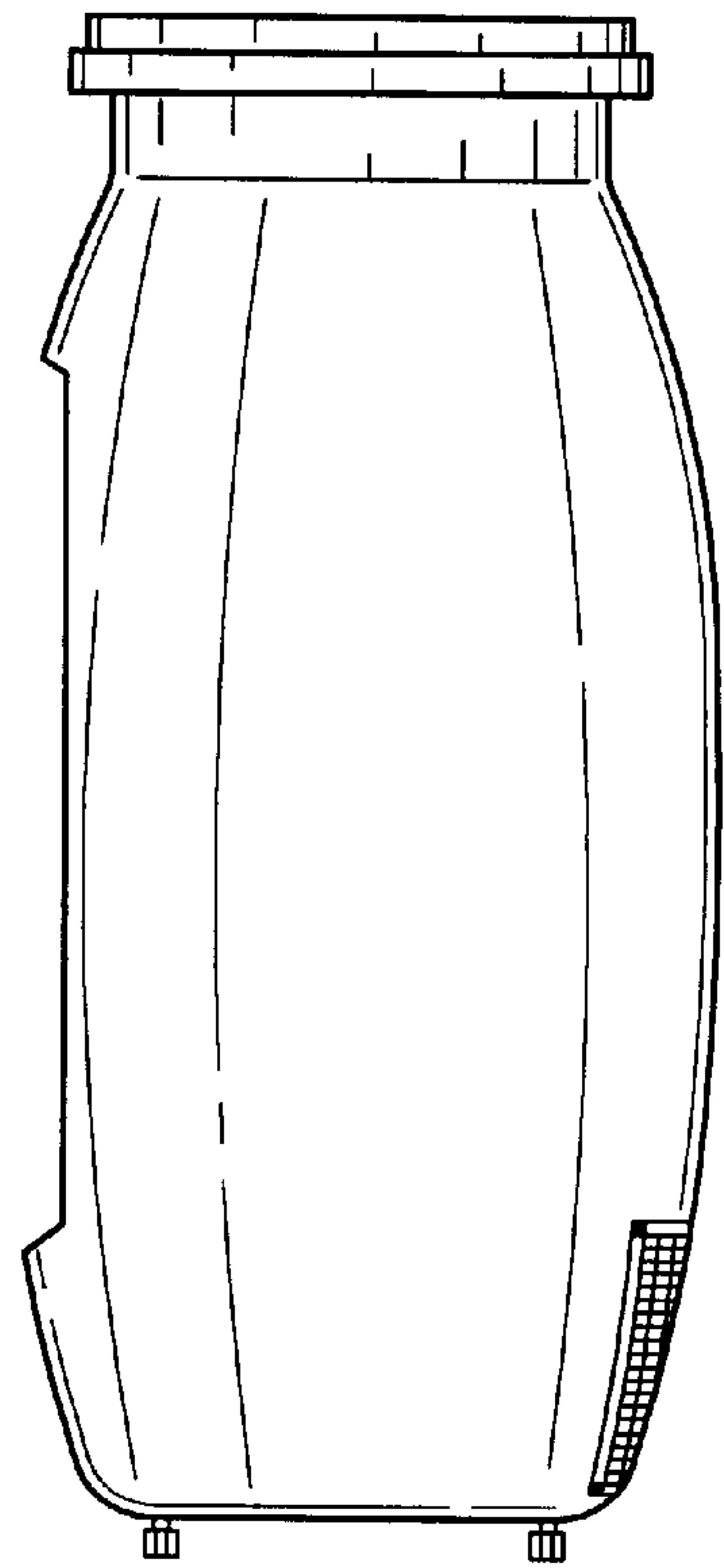


FIG. 6

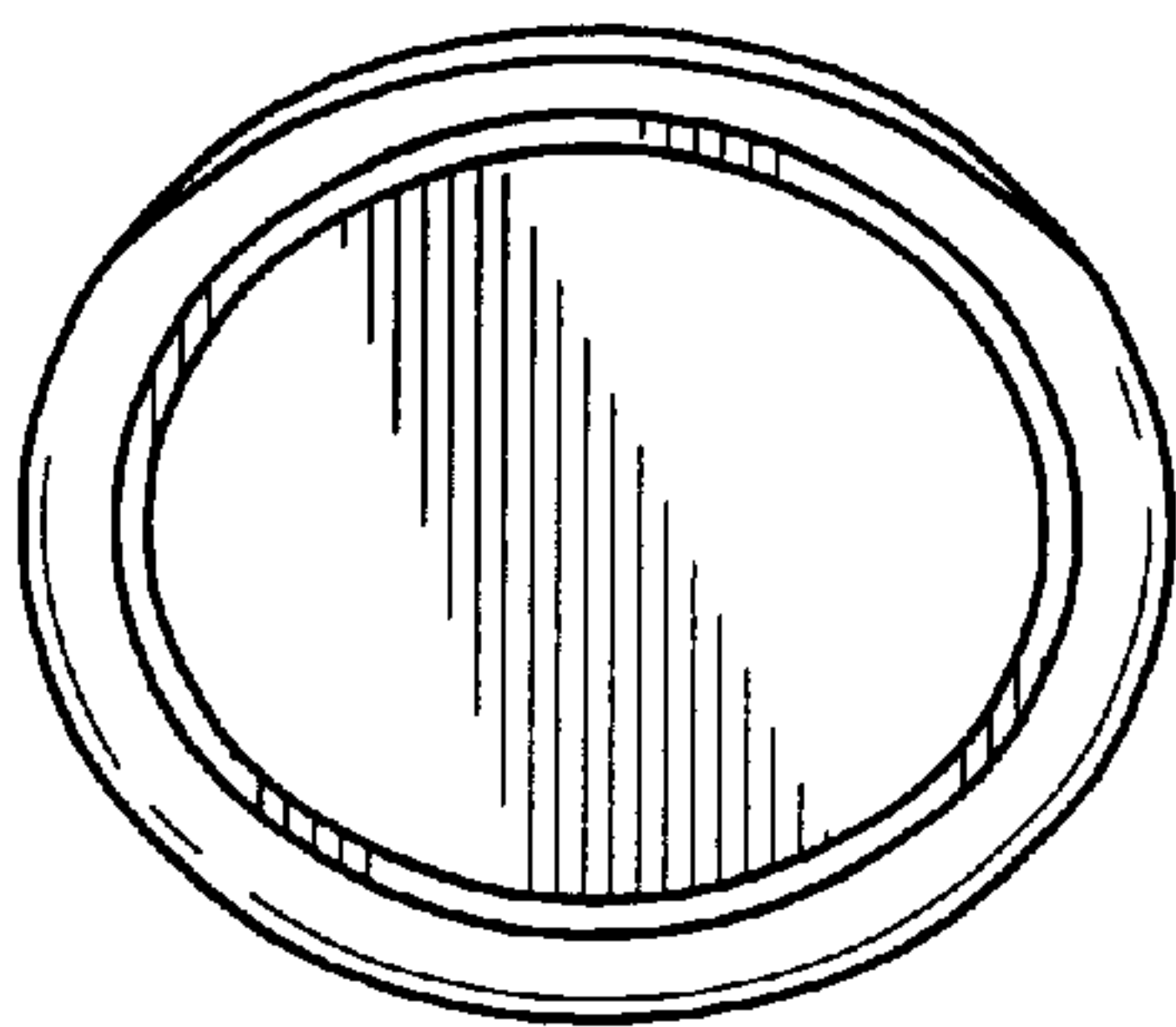


FIG. 7

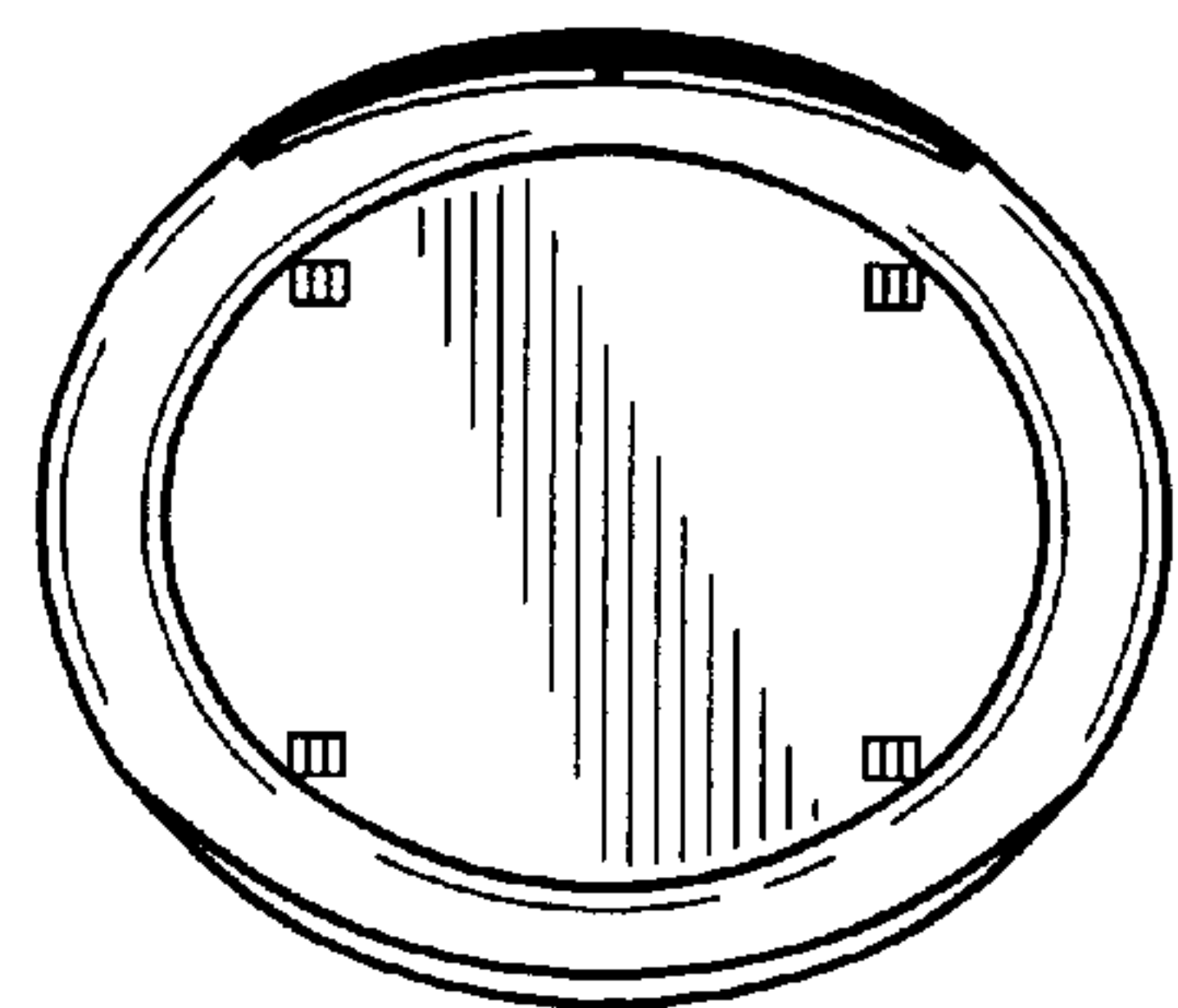


FIG. 8