



US00D481399S

(12) **United States Design Patent**  
**Katoh**

(10) **Patent No.:** **US D481,399 S**

(45) **Date of Patent:** **\*\* \*Oct. 28, 2003**

(54) **FRONT GRILL PORTION FOR A TRACTOR**

D441,469 S \* 5/2001 Goebert et al. .... D26/28  
D447,753 S \* 9/2001 Goebert et al. .... D15/31

(75) Inventor: **Hisato Katoh**, Sakai (JP)

\* cited by examiner

(73) Assignee: **Kubota Corporation** (JP)

*Primary Examiner*—Mitchell Siegel

(\* ) Notice: This patent is subject to a terminal disclaimer.

(74) *Attorney, Agent, or Firm*—Webb Ziesenheim Logsdon Orkin & Hanson, P.C.

(\*\*) Term: **14 Years**

(57) **CLAIM**

(21) Appl. No.: **29/146,923**

The ornamental design for a front grill portion for a tractor, as shown and described.

(22) Filed: **Aug. 17, 2001**

**DESCRIPTION**

(30) **Foreign Application Priority Data**

Jun. 12, 2001 (JP) ..... 2001-017130

(51) **LOC (7) Cl.** ..... **15-03**

(52) **U.S. Cl.** ..... **D15/31**

(58) **Field of Search** ..... D15/22-26, 28,  
D15/31; 180/89.1, 89.12, 90, 68.1, 69.2,  
69.24; D26/28-36; 362/83, 326, 329-340,  
275

FIG. 1 is a front elevational view of the front grill portion of a tractor;

FIG. 2 is a left side view thereof;

FIG. 3 is a right side view thereof;

FIG. 4 is a top plan view thereof;

FIG. 5 is an enlarged front elevational view taken on line 5-5;

FIG. 6 is an enlarged right side view taken on line 6-6;

FIG. 7 is an enlarged top plan view taken on line 7-7;

FIG. 8 is a front view of FIG. 5 with an attached transparent cover taken on line 8-8;

FIG. 9 is a right side view of FIG. 8 taken on line 9-9;

FIG. 10 is an enlarged front elevation of FIG. 8; and,

FIG. 11 is a right side view of FIG. 10.

The bottom view of the front grill portion is omitted because it is plain and unornamented.

Broken line illustrations in the drawings are not part of the design sought to be patented.

(56) **References Cited**

**U.S. PATENT DOCUMENTS**

D259,515 S	*	6/1981	Catte	.....	D26/28
D270,351 S	*	8/1983	Montgomery et al.	.....	D15/31
5,490,574 A	*	2/1996	Ishizumi et al.	.....	180/68.1
5,782,312 A	*	7/1998	Murakawa	.....	180/69.2
D411,330 S	*	6/1999	Goebert et al.	.....	D26/28
D438,546 S	*	3/2001	Katoh et al.	.....	D15/23
D440,234 S	*	4/2001	Katoh et al.	.....	D15/23

**1 Claim, 11 Drawing Sheets**

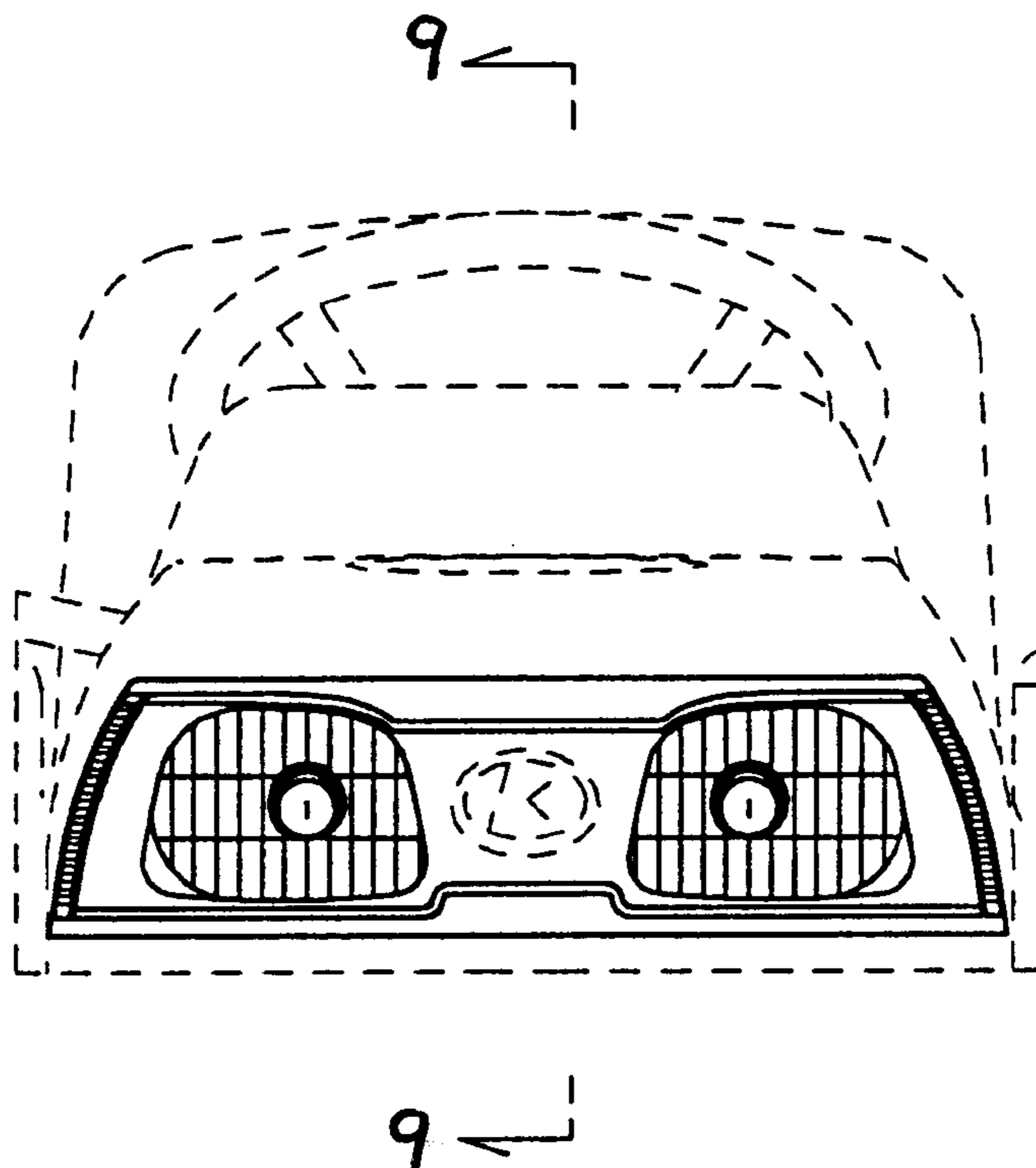


Fig. 1

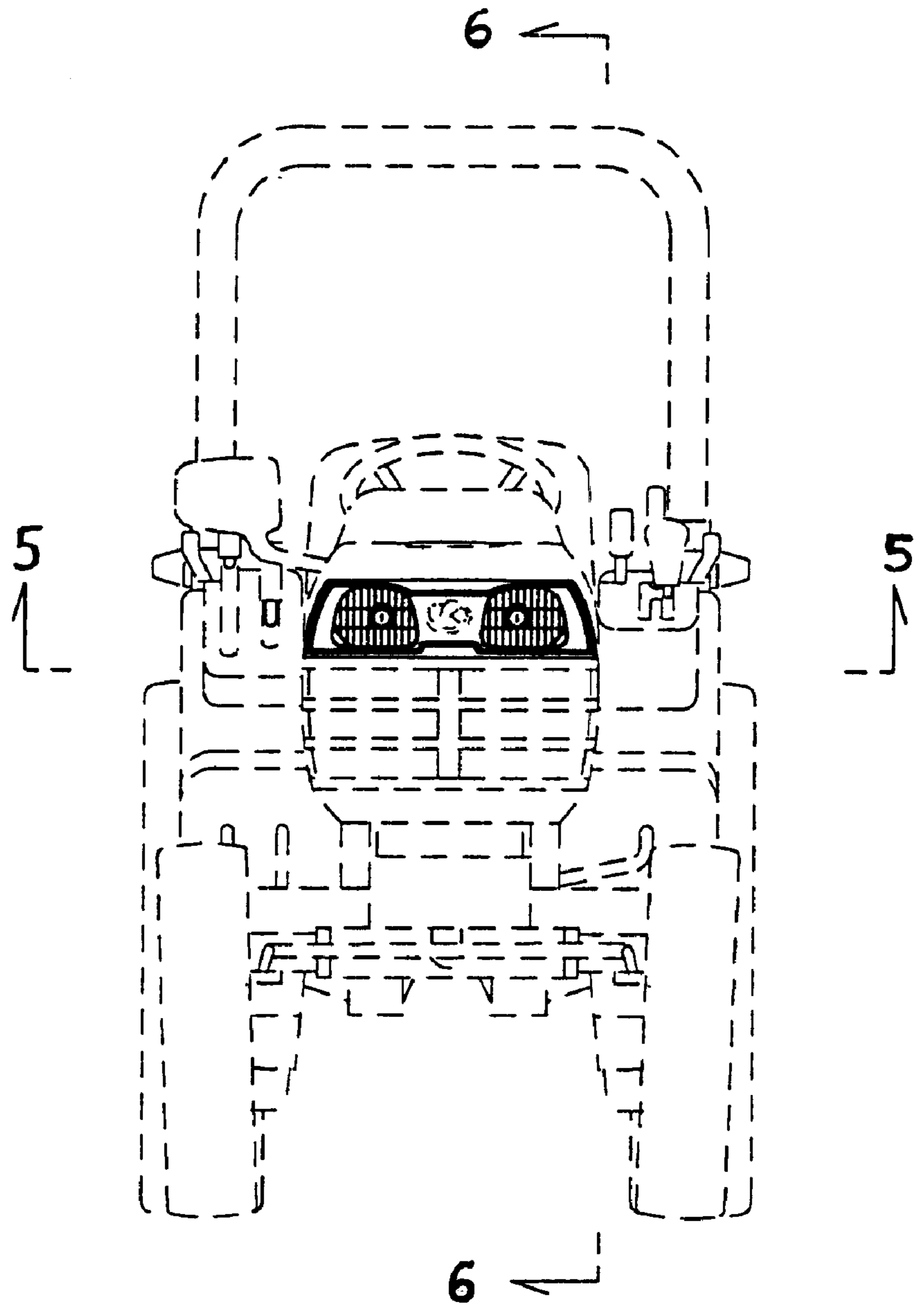


Fig. 2

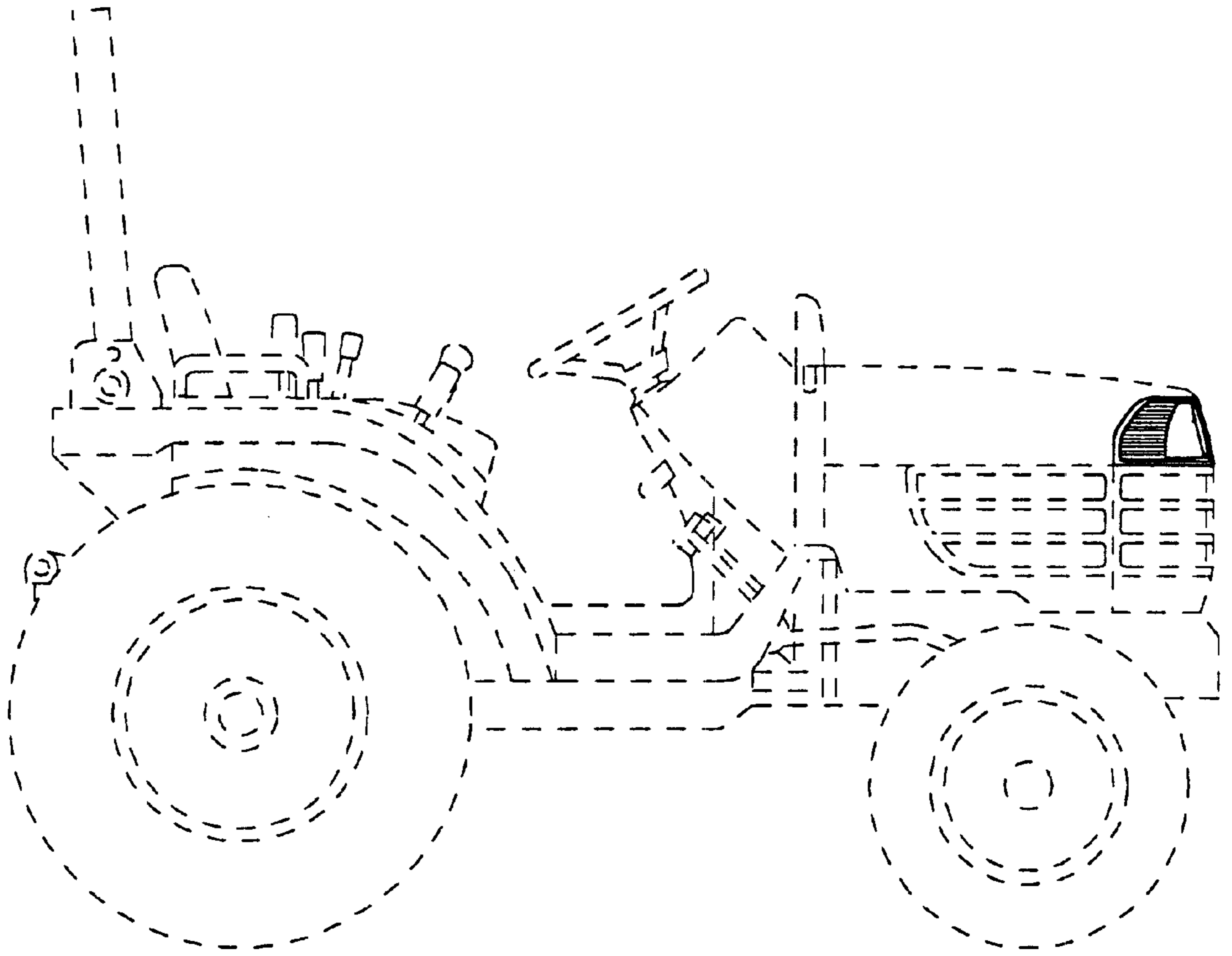


Fig. 3

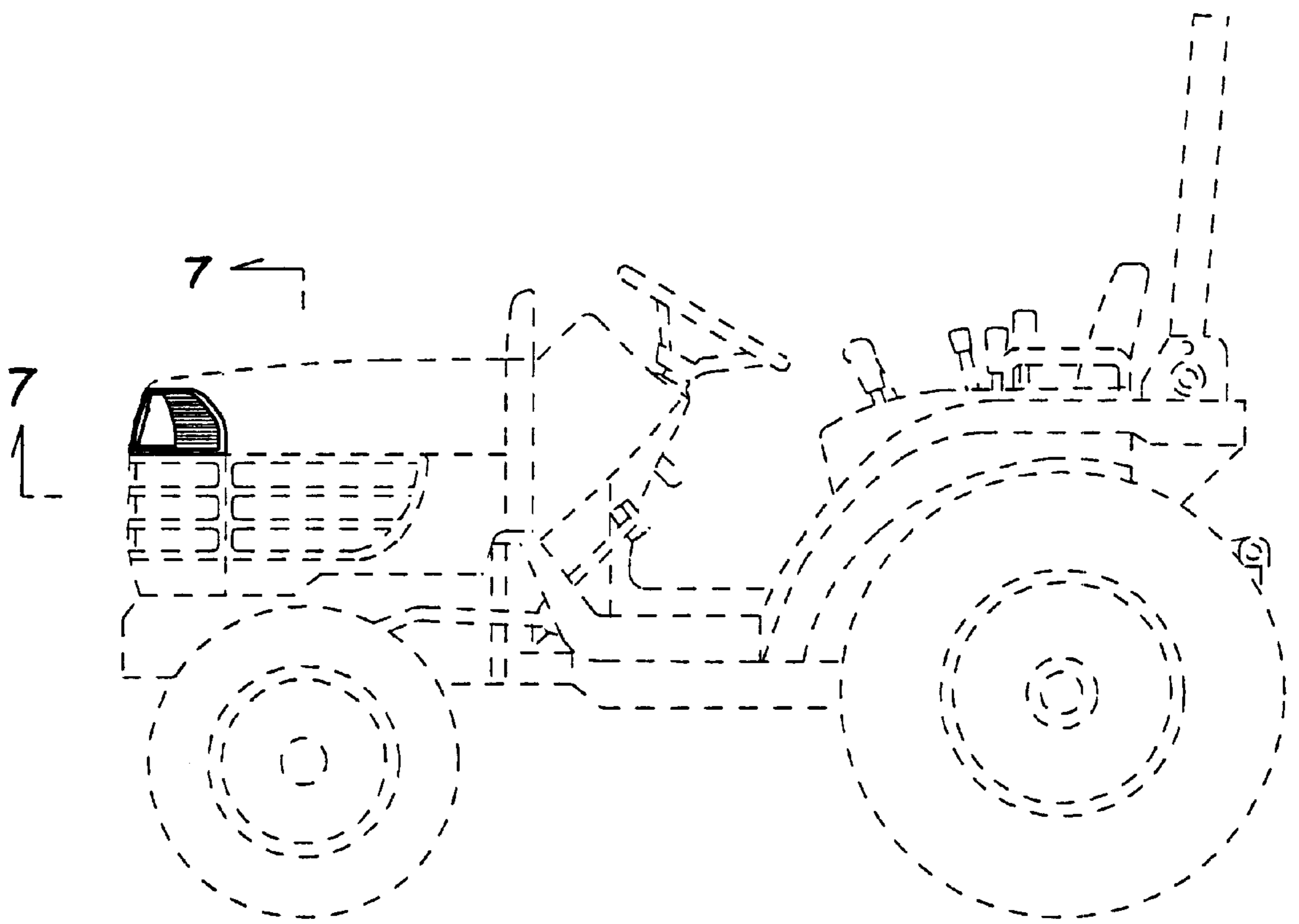
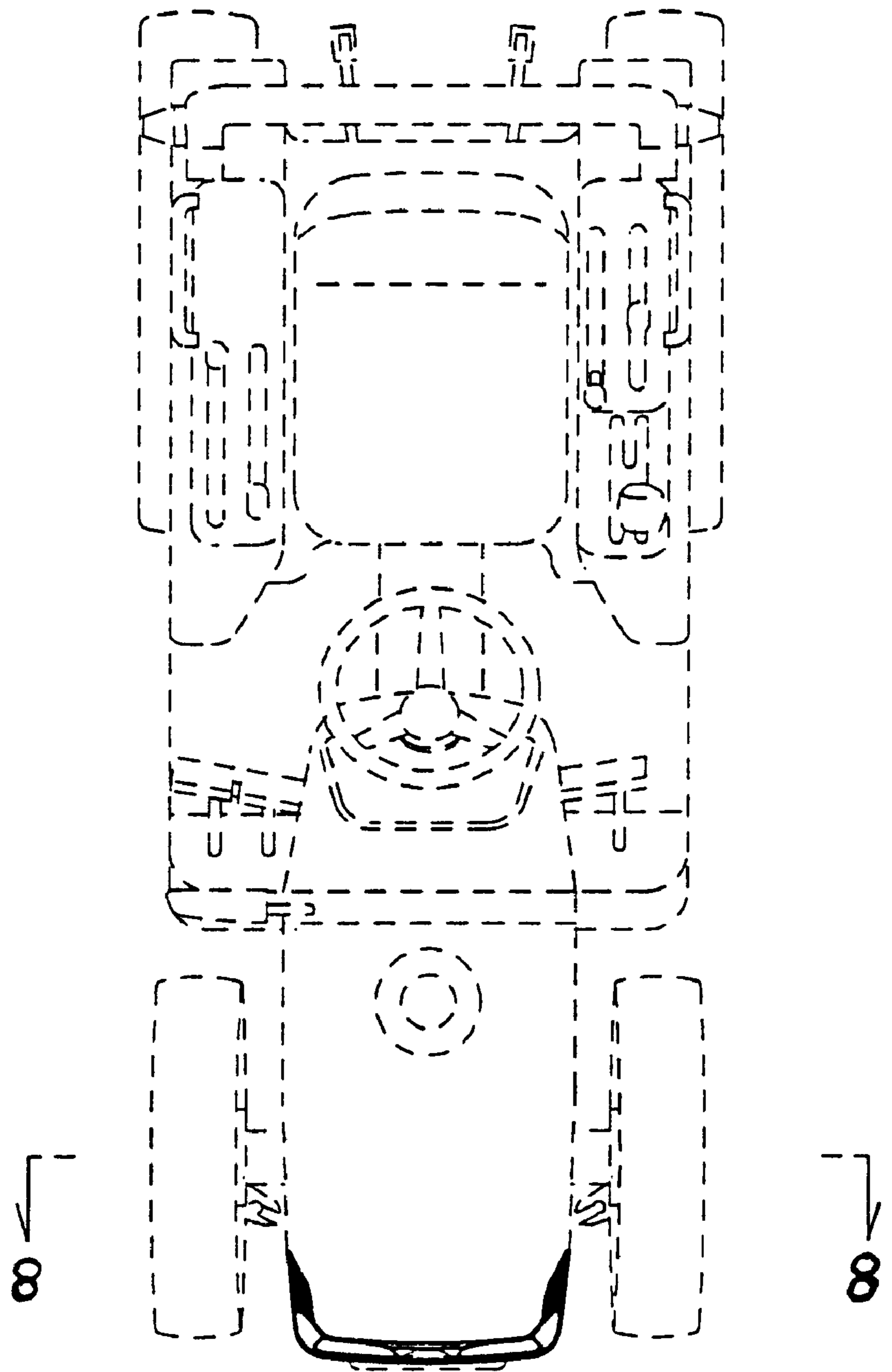
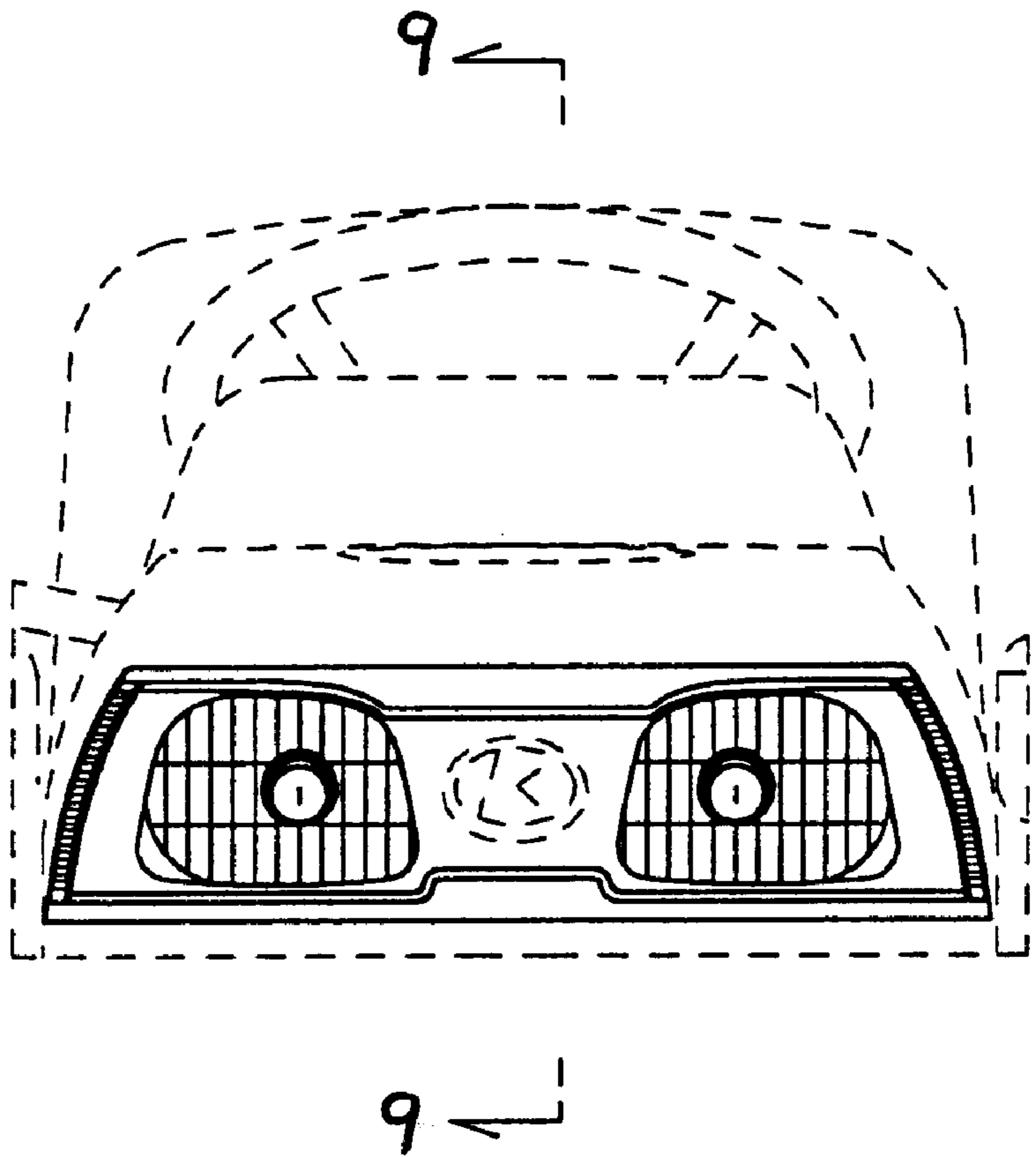


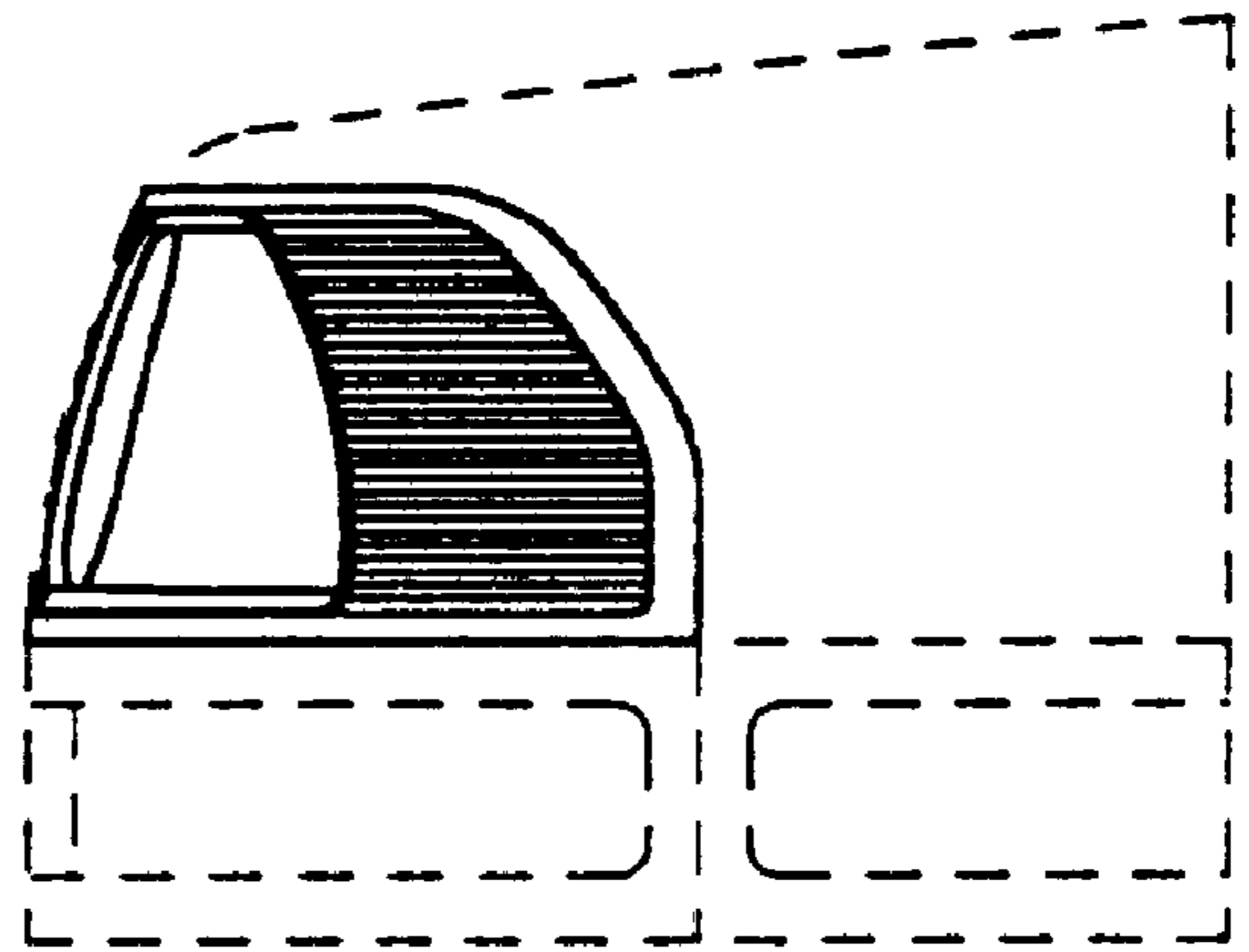
Fig. 4



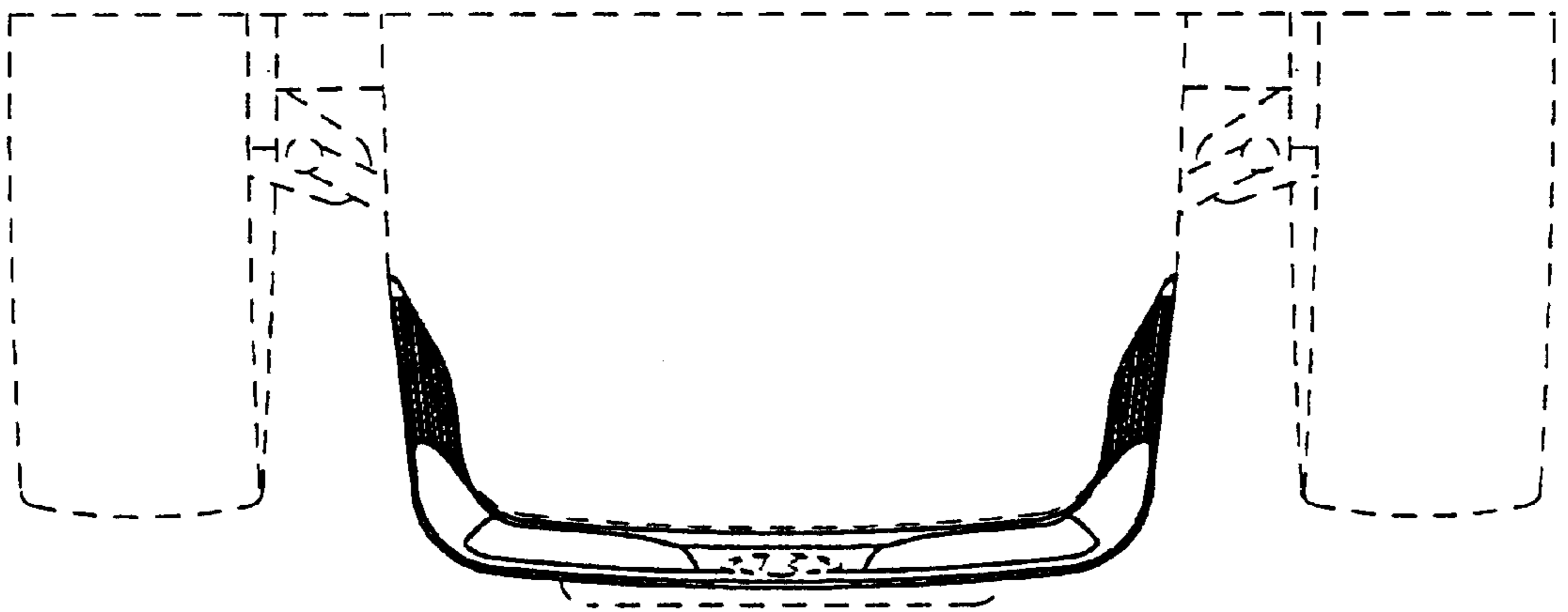
F i g . 5



F i g . 6

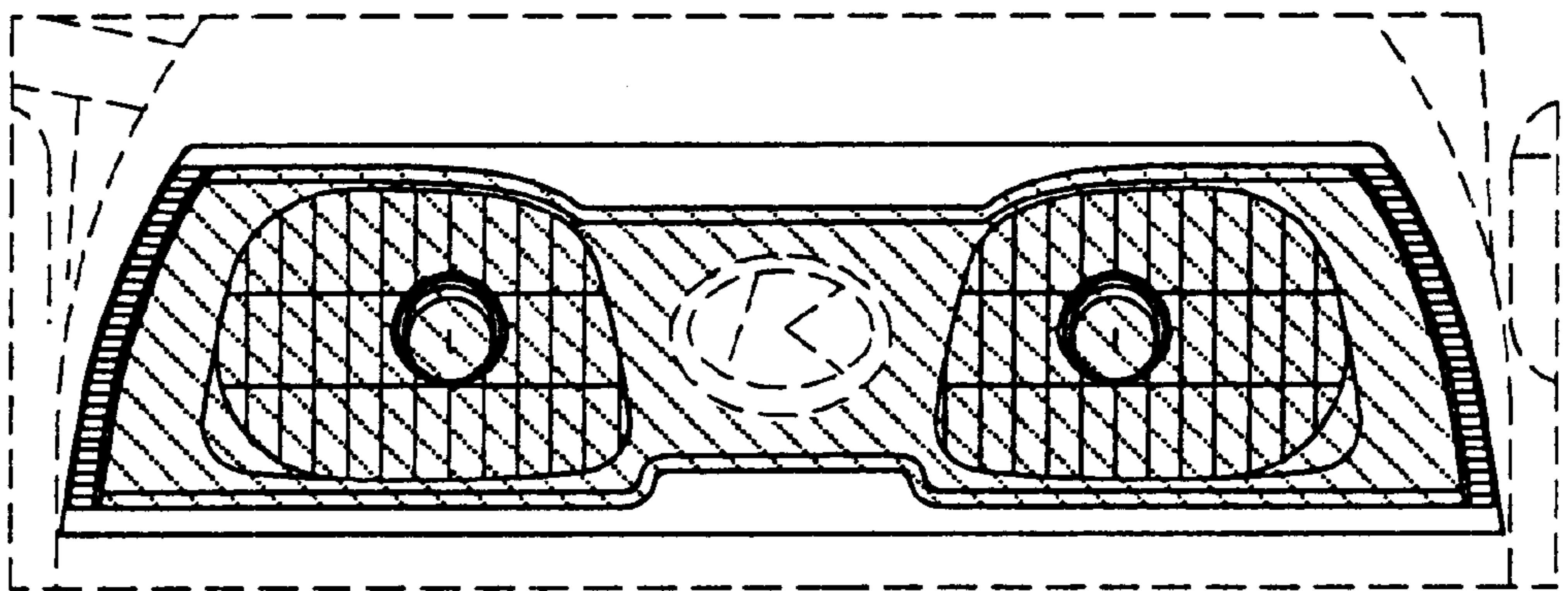


F i g . 7

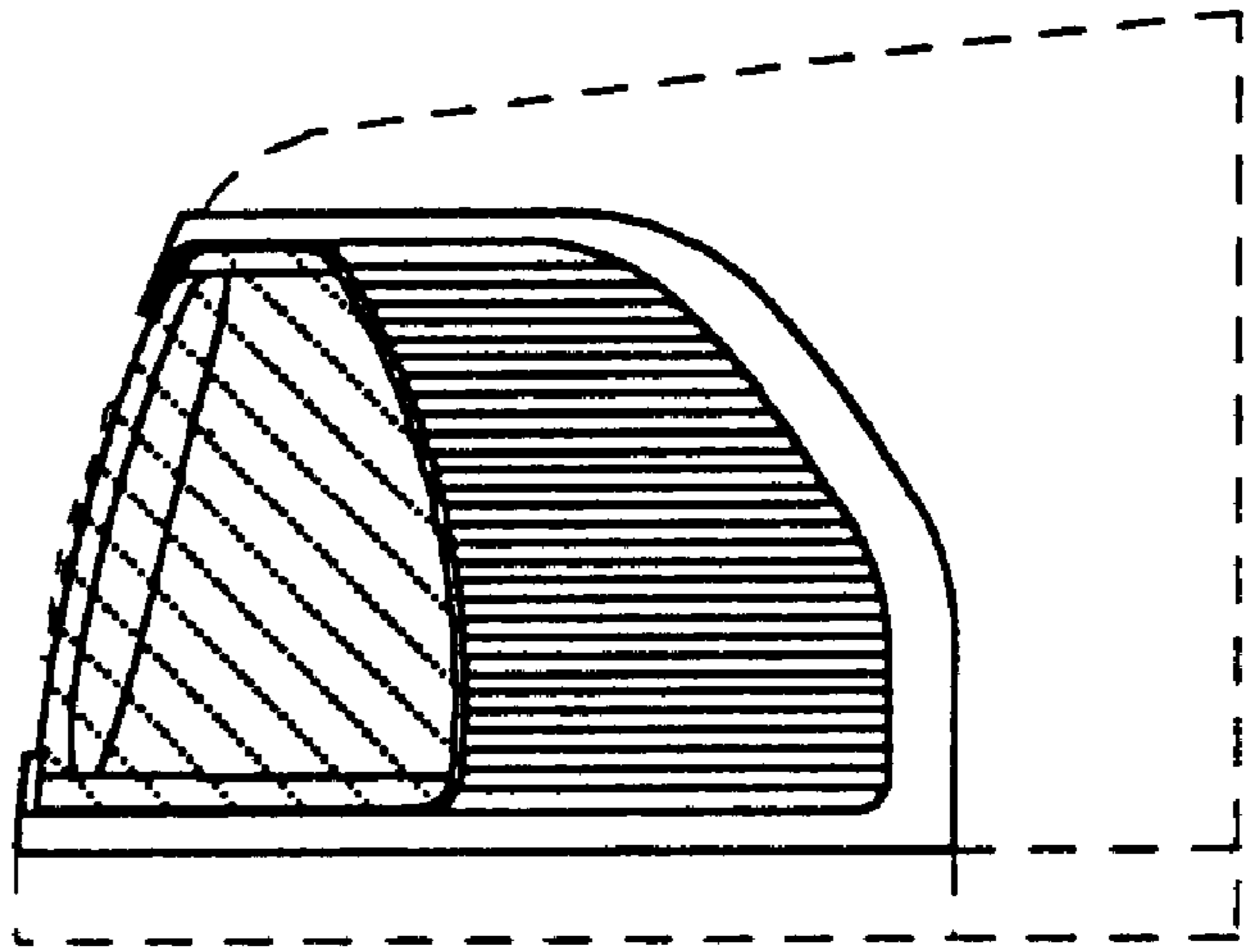




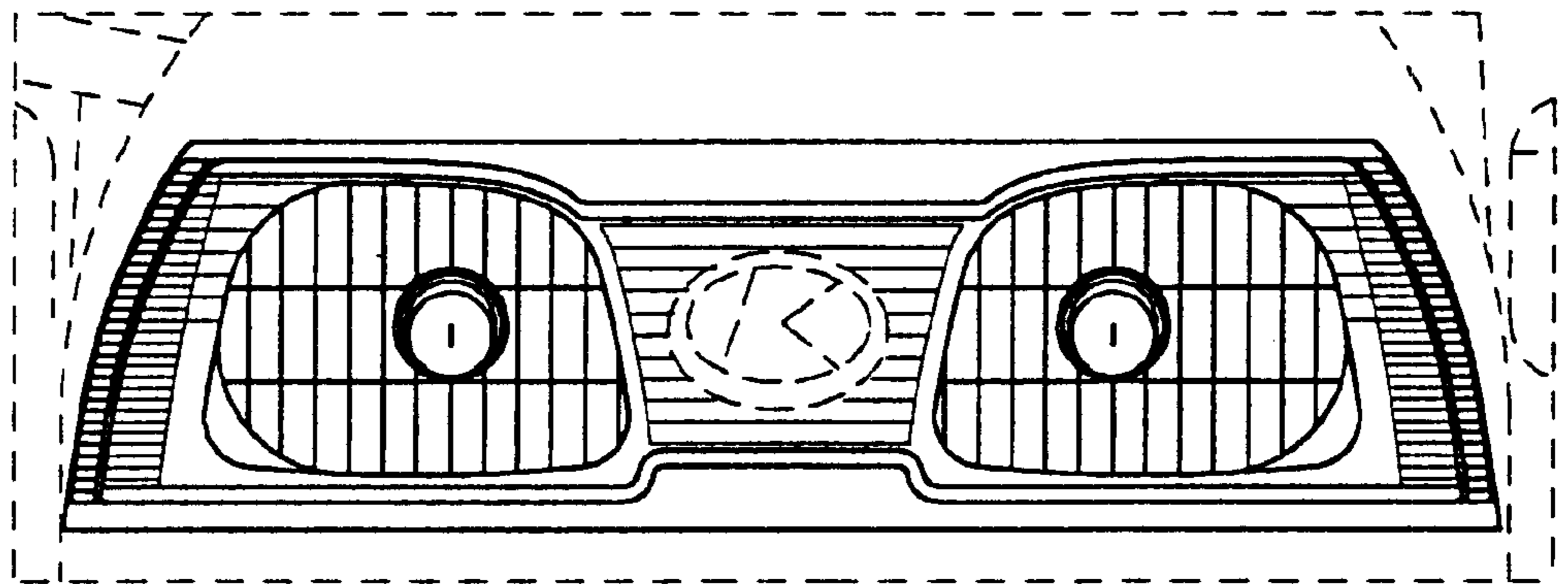
F i g . 8



F i g . 9



F i g . 1 0



F i g . 1 1

