



US00D481398S

(12) **United States Design Patent**  
**Tokach et al.**

(10) **Patent No.:** **US D481,398 S**

(45) **Date of Patent:** **\*\* Oct. 28, 2003**

(54) **MINI-EXCAVATOR CANOPY**

(75) Inventors: **Thomas J. Tokach**, Mandan, ND (US);  
**Michael D. Wetzel**, Bismarck, ND  
(US); **David W. Graf**, Bismarck, ND  
(US); **Henry J. Weber**, Bismarck, ND  
(US)

(73) Assignee: **Clark Equipment Company**, Woodcliff  
Lake, NJ (US)

(\*\*) Term: **14 Years**

(21) Appl. No.: **29/168,103**

(22) Filed: **Sep. 26, 2002**

(51) **LOC (7) Cl.** ..... **15-03**

(52) **U.S. Cl.** ..... **D15/30**

(58) **Field of Search** ..... D15/10, 14, 15,  
D15/22-26, 28, 30; 180/89.1, 89.12, 900

(56) **References Cited**

**U.S. PATENT DOCUMENTS**

D208,402 S	*	8/1967	Hofmann	.....	D15/30
3,739,928 A	*	6/1973	Randall	.....	254/327
4,705,449 A	*	11/1987	Christianson et al.	.....	414/685
D306,170 S	*	2/1990	Takagi et al.	.....	D15/23
5,184,933 A	*	2/1993	Pei-qian et al.	.....	414/725

D415,772 S	*	10/1999	Hinspeger	.....	D15/11
6,018,895 A		2/2000	Duppong et al.	.....	37/348
D424,778 S	*	5/2000	Dahl et al.	.....	D34/34
6,170,180 B1		1/2001	Schaeff	.....	37/443
6,357,231 B1		3/2002	Duppong	.....	60/421

\* cited by examiner

*Primary Examiner*—Mitchell Siegel

(74) *Attorney, Agent, or Firm*—Westman, Champlin &  
Kelly, P.A.

(57) **CLAIM**

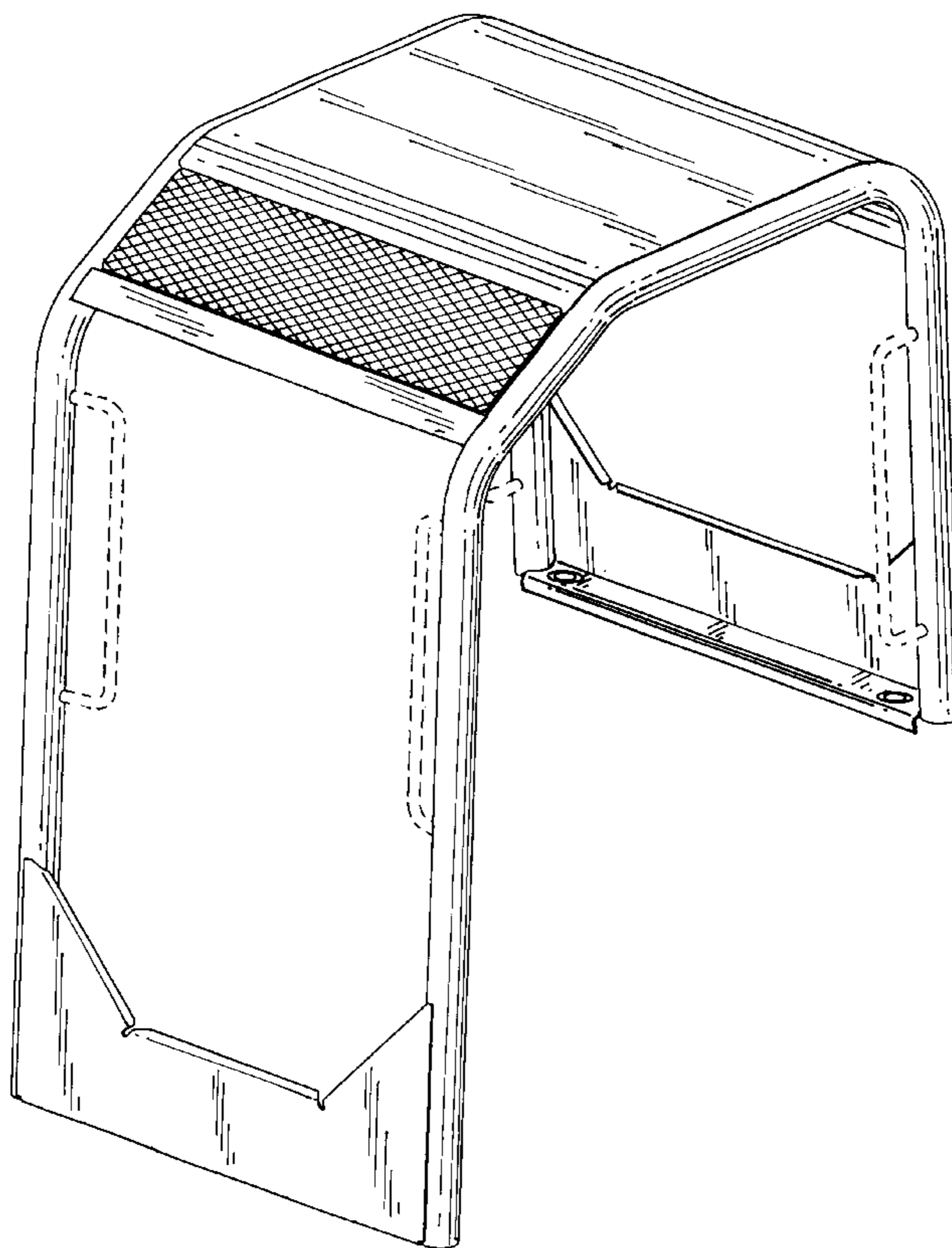
The ornamental design for a mini-excavator canopy, as  
shown and described.

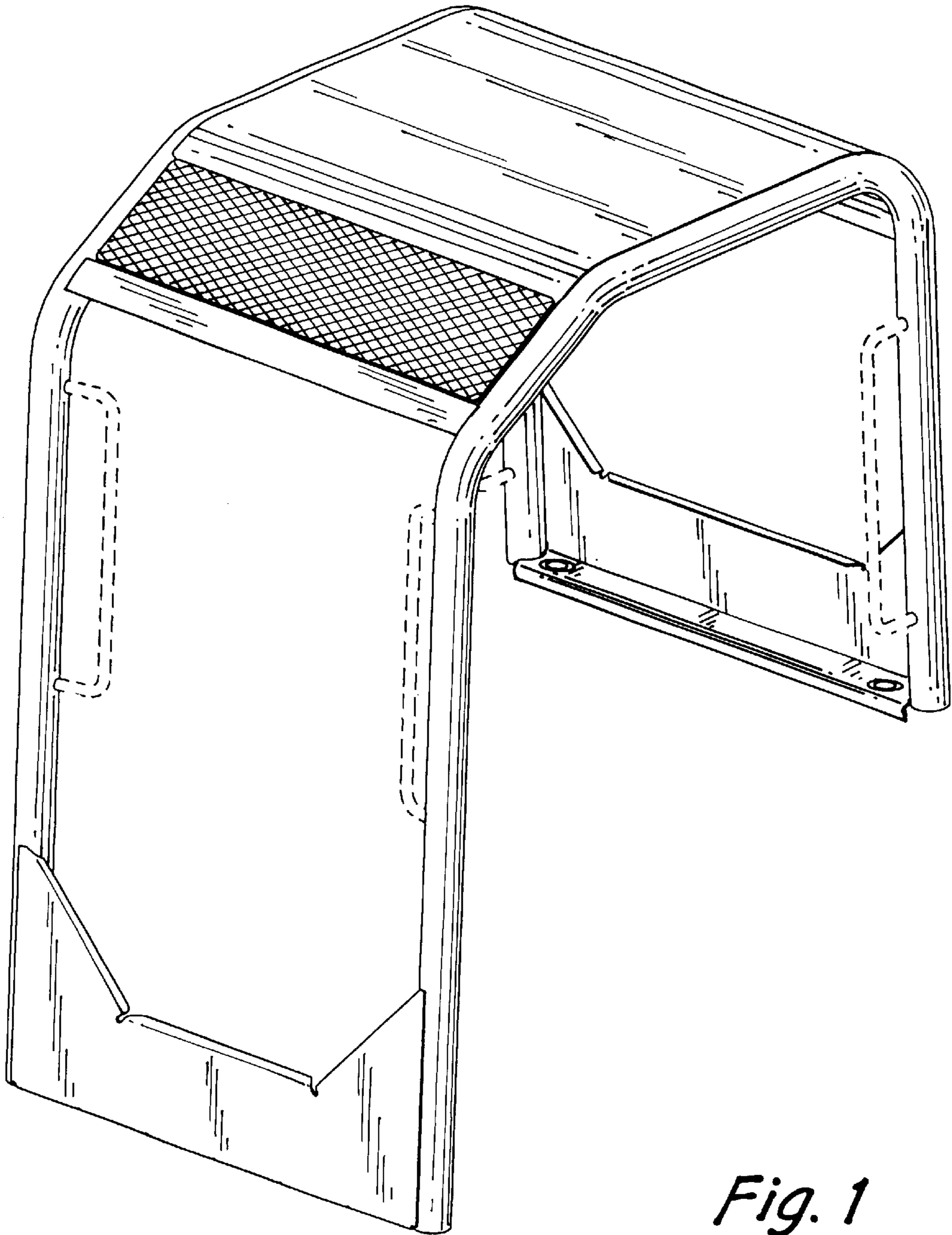
**DESCRIPTION**

FIG. 1 is a view in perspective as seen from the front, side  
and top of the mini-excavator canopy;  
FIG. 2 is a view in side elevation;  
FIG. 3 is a view in side elevation of the side opposite that  
shown in FIG. 2;  
FIG. 4 is a view in front elevation;  
FIG. 5 is a view in rear elevation;  
FIG. 6 is a top plan view; and,  
FIG. 7 is a bottom plan view.

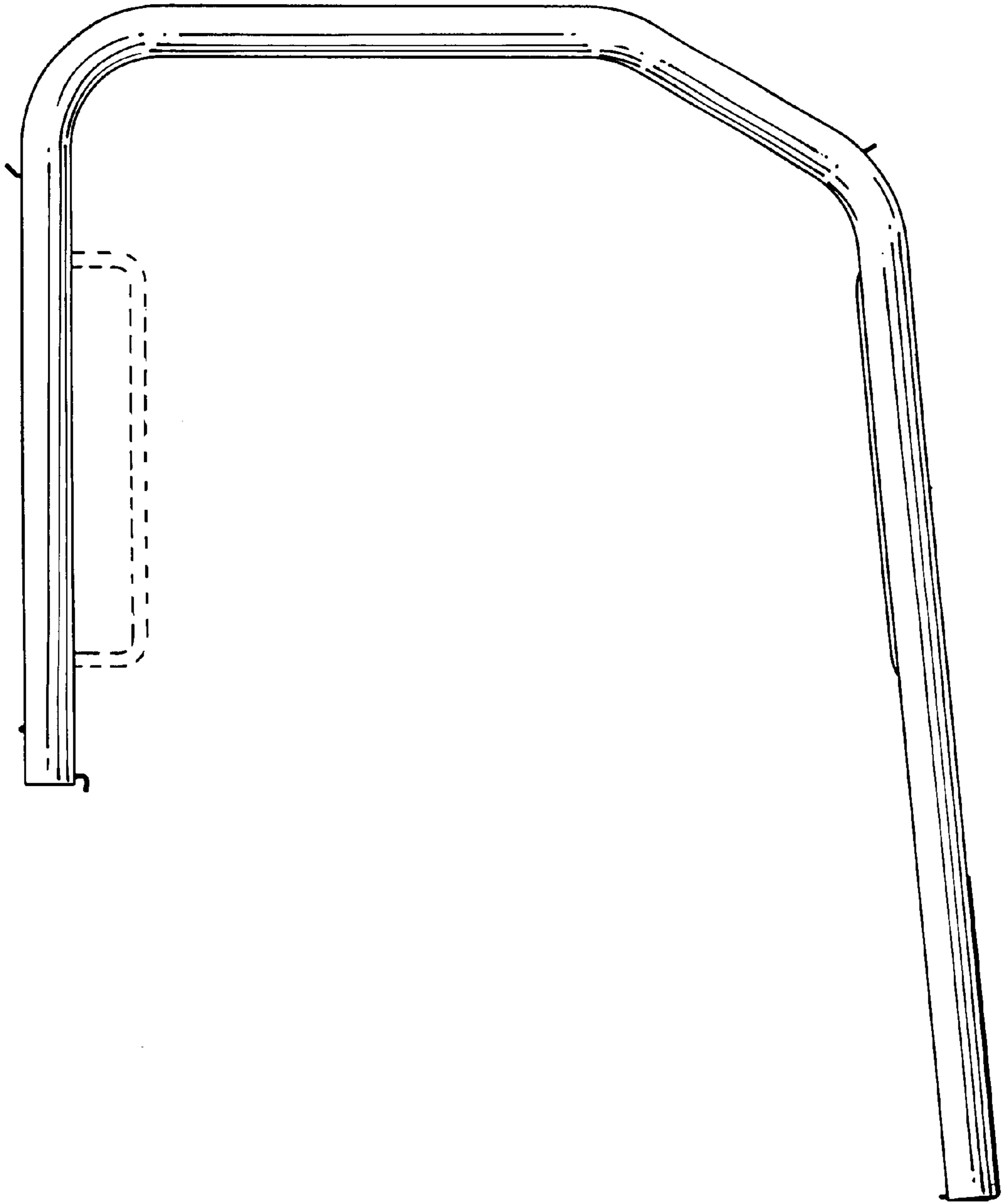
The broken line showing is for illustrative purposes only and  
forms no part of the claimed design.

**1 Claim, 7 Drawing Sheets**

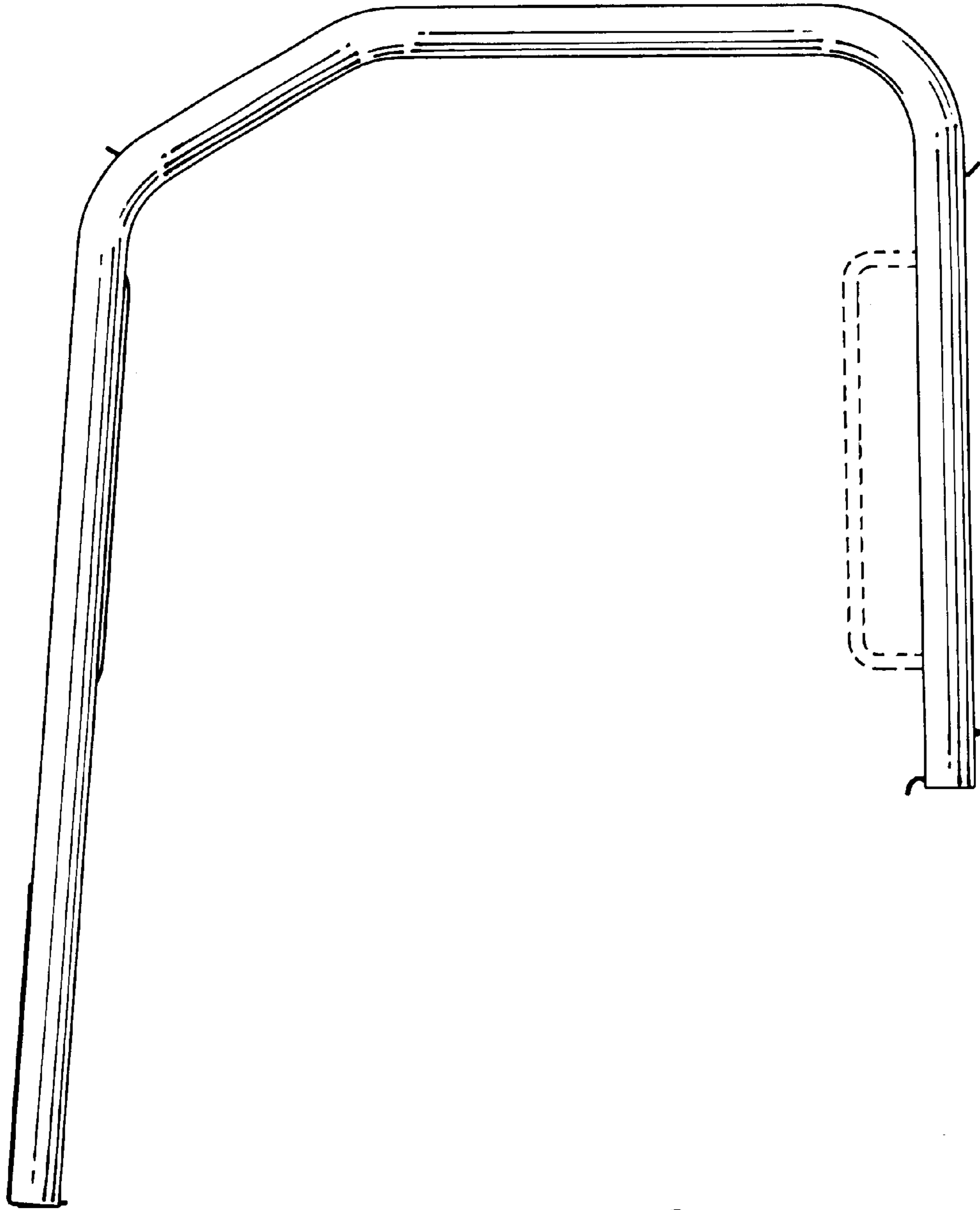




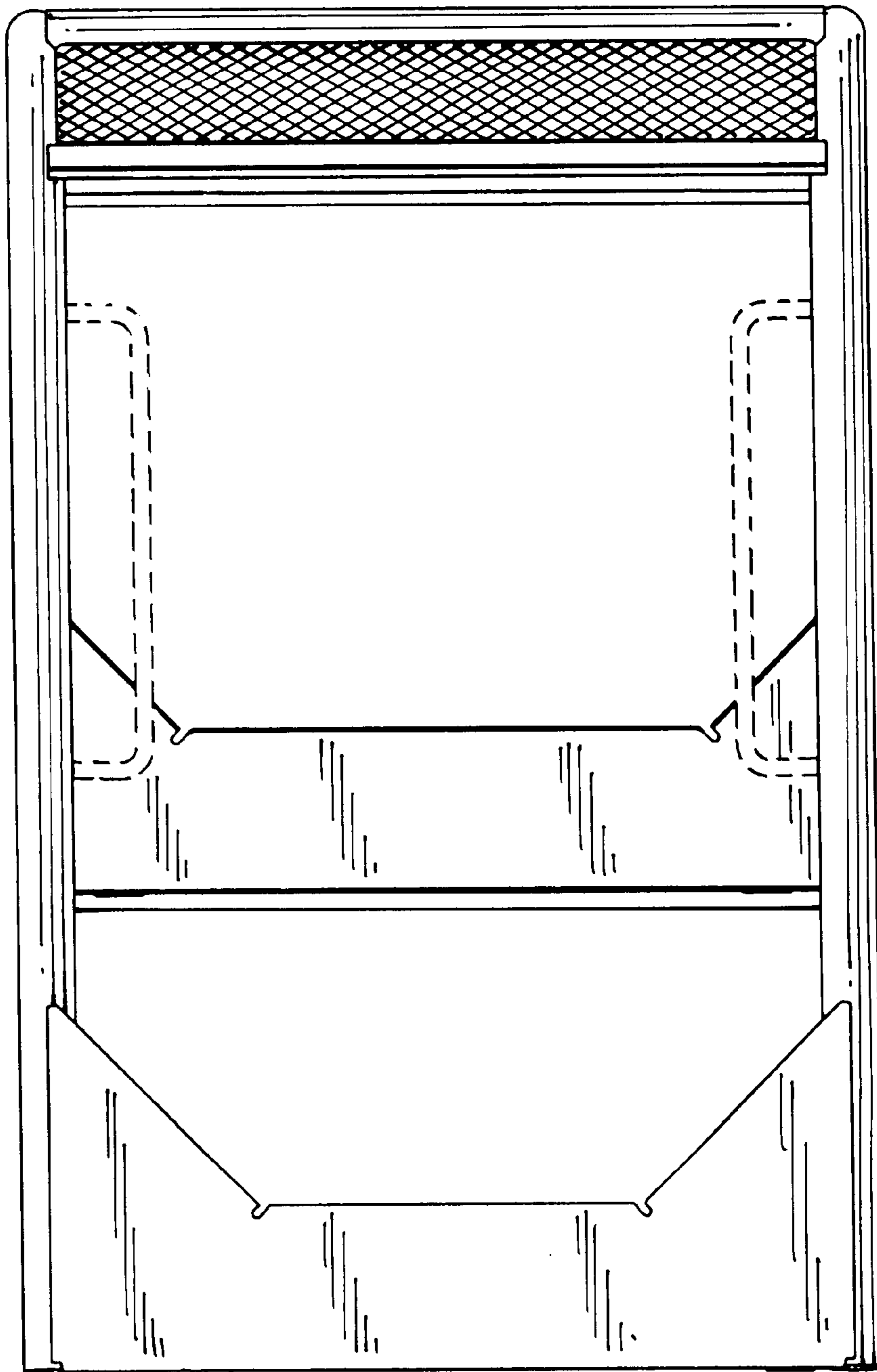
*Fig. 1*



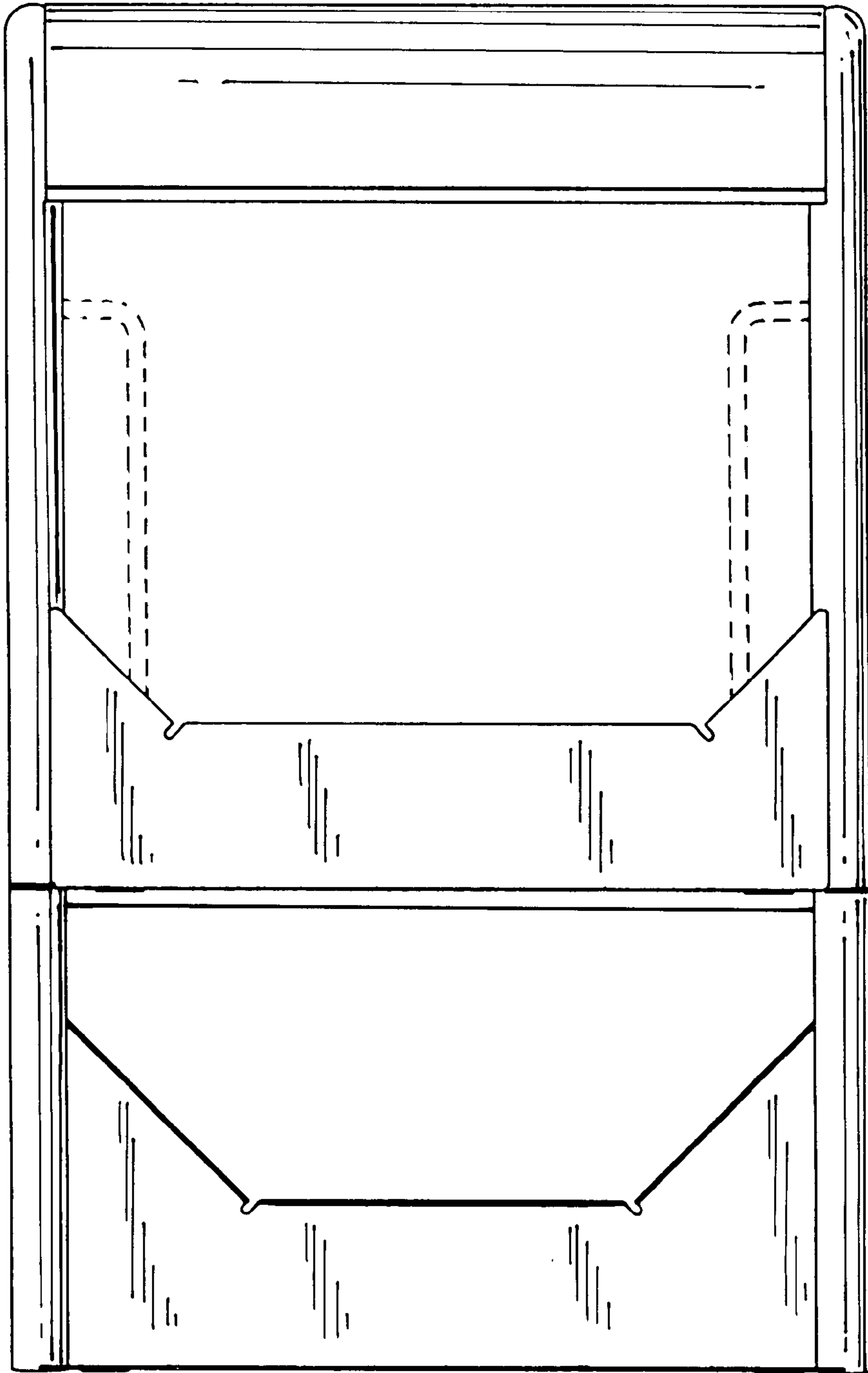
*Fig. 2*



*Fig. 3*

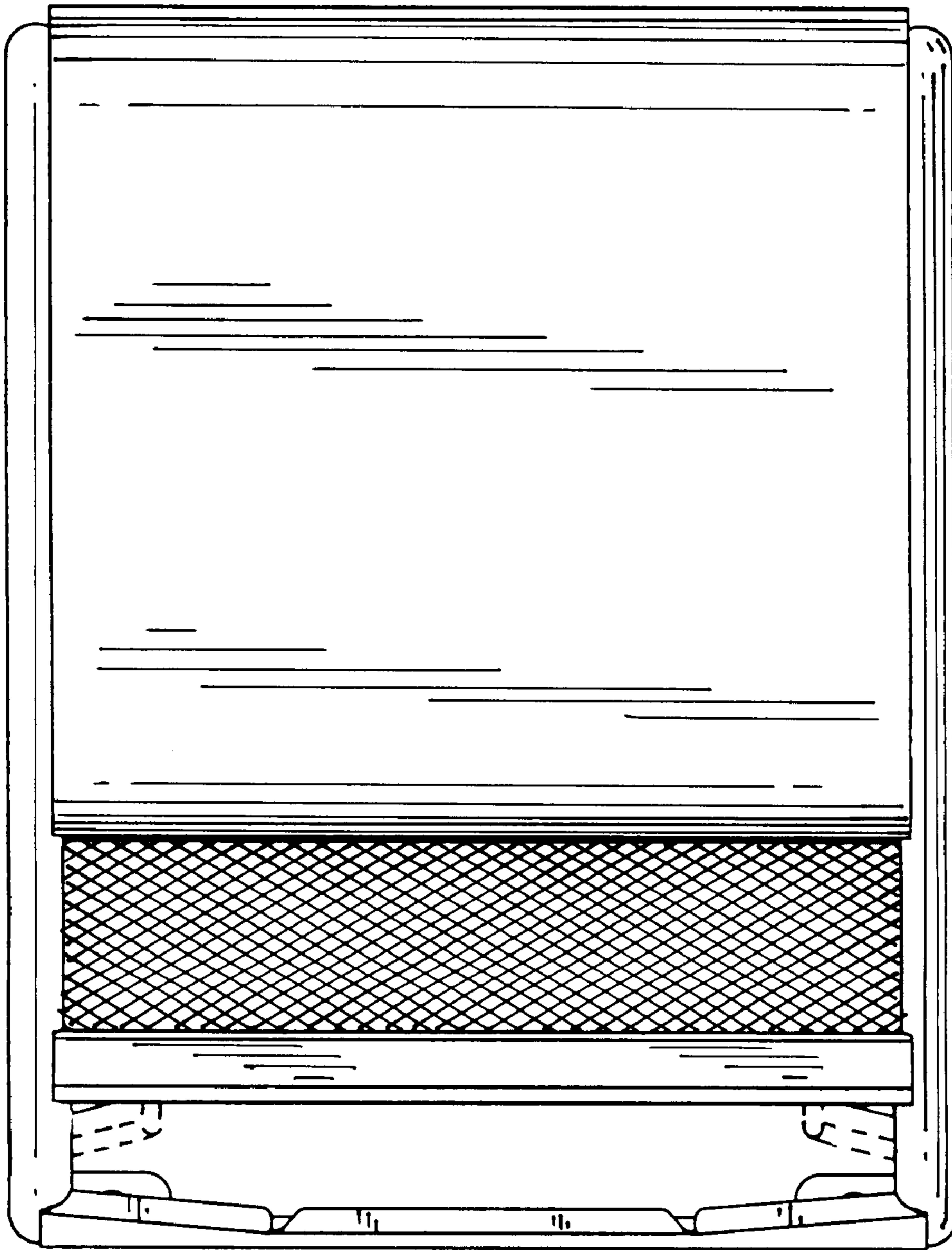


*Fig. 4*

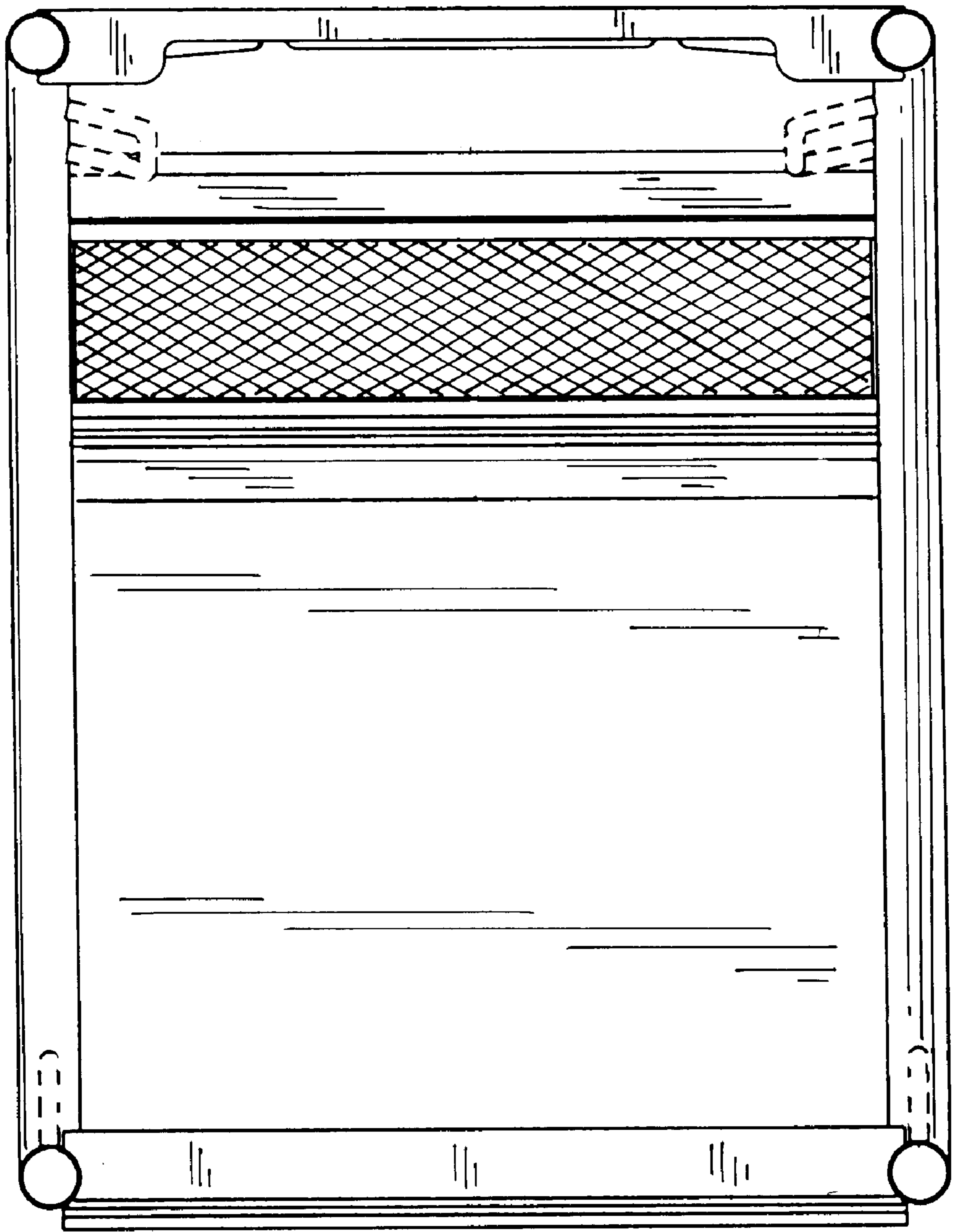


*Fig. 5*





*Fig. 6*



*Fig. 7*