



US00D481396S

(12) **United States Design Patent**
Ishigami

(10) **Patent No.:** **US D481,396 S**

(45) **Date of Patent:** **** Oct. 28, 2003**

(54) **FACSIMILE MACHINE WITH A COPYING FUNCTION**

(75) Inventor: **Michifumi Ishigami**, Nagoya (JP)

(73) Assignee: **Brother Industries, Limited**, Nagoya (JP)

(**) Term: **14 Years**

(21) Appl. No.: **29/163,444**

(22) Filed: **Jul. 8, 2002**

(30) **Foreign Application Priority Data**

Jan. 7, 2002 (JP) 2002-000077

(51) **LOC (7) Cl.** **16-03**

(52) **U.S. Cl.** **D14/471**

(58) **Field of Search** D14/462-471,
D14/496; 358/400, 401, 305, 500, 501,
468; D18/50, 36, 37, 40; 399/16, 36, 411

(56) **References Cited**

U.S. PATENT DOCUMENTS

5,051,838 A * 9/1991 Cho et al. 358/401
D377,370 S * 1/1997 Escobedo et al. D14/469

D390,551 S * 2/1998 Omino D14/462
D420,998 S * 2/2000 Leong et al. D14/469
D435,062 S * 12/2000 Alvarez et al. D18/40
6,462,839 B1 * 10/2002 Short 358/401

* cited by examiner

Primary Examiner—Prabhakar Deshmukh

(74) *Attorney, Agent, or Firm*—Oliff & Berridge, PLC

(57) **CLAIM**

The ornamental design for a facsimile machine with a copying function, as shown and described.

DESCRIPTION

FIG. 1 is a perspective view of a facsimile machine with a copying function;

FIG. 2 is a front view thereof;

FIG. 3 is a left side view thereof;

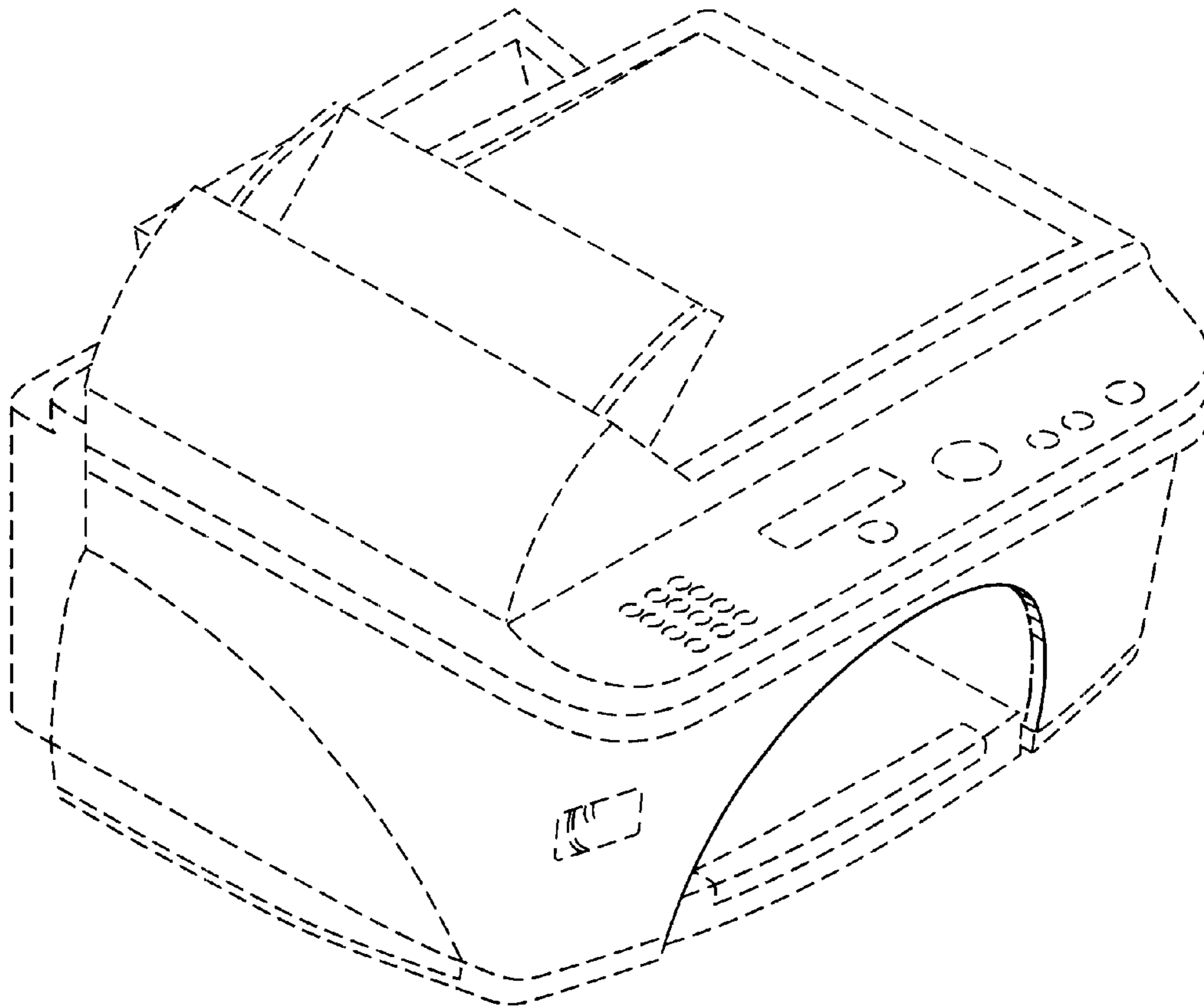
FIG. 4 is a right side view thereof; and,

FIG. 5 is a bottom view thereof.

The rear and top views contain no ornamentality and are omitted.

The broken lines illustrate the bounds of the claimed design but do not form part of the claimed design.

1 Claim, 3 Drawing Sheets



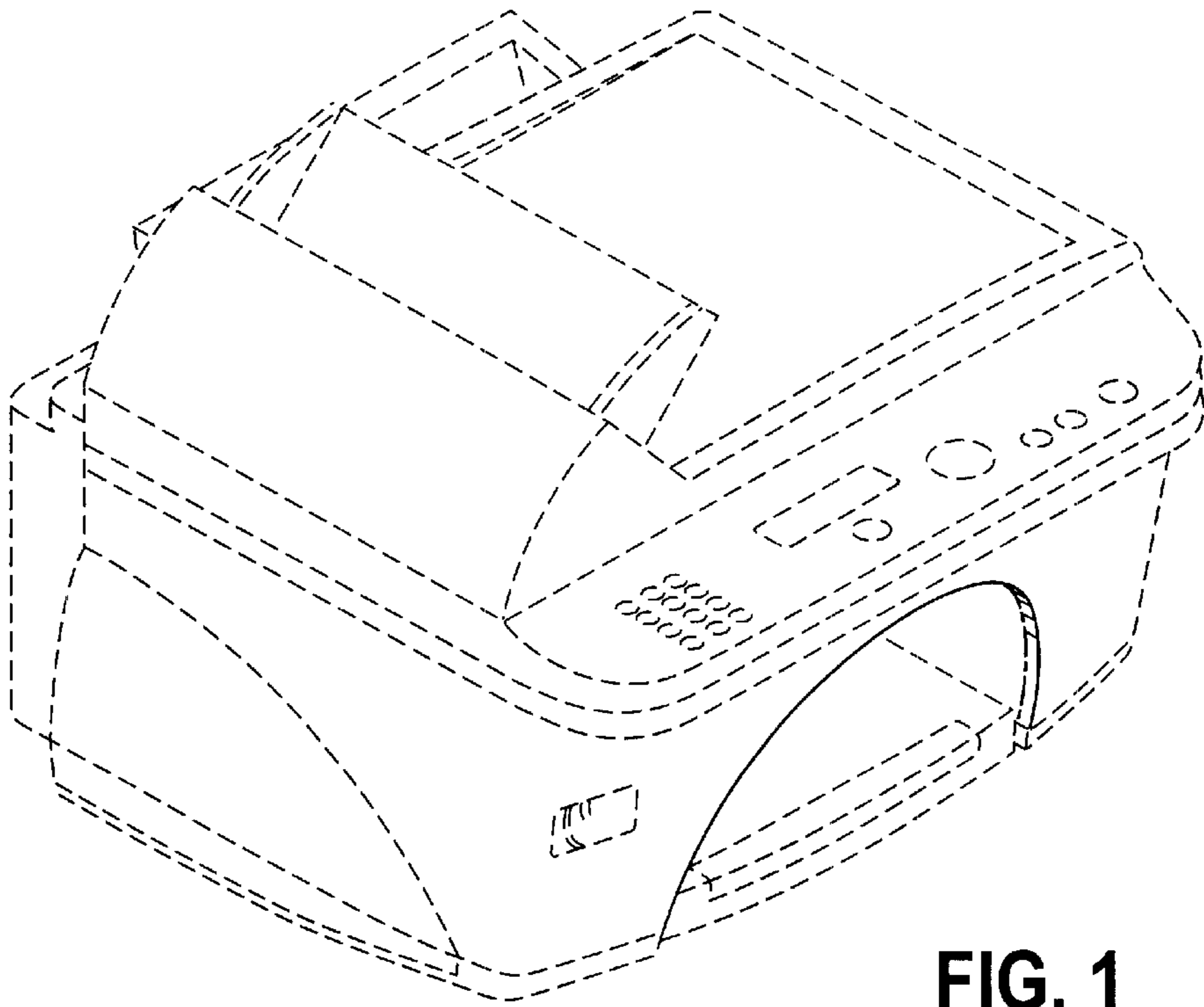


FIG. 1

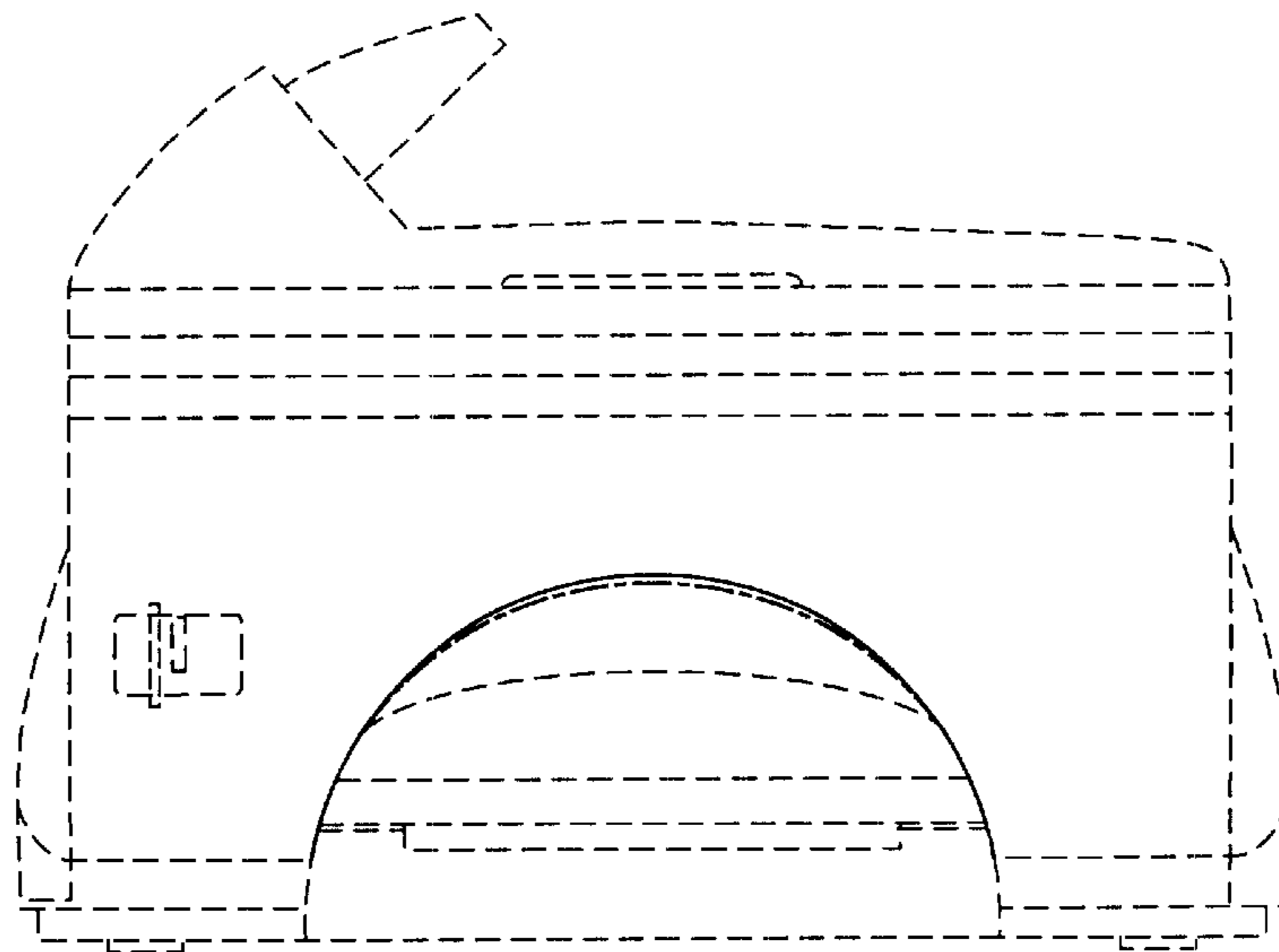


FIG. 2

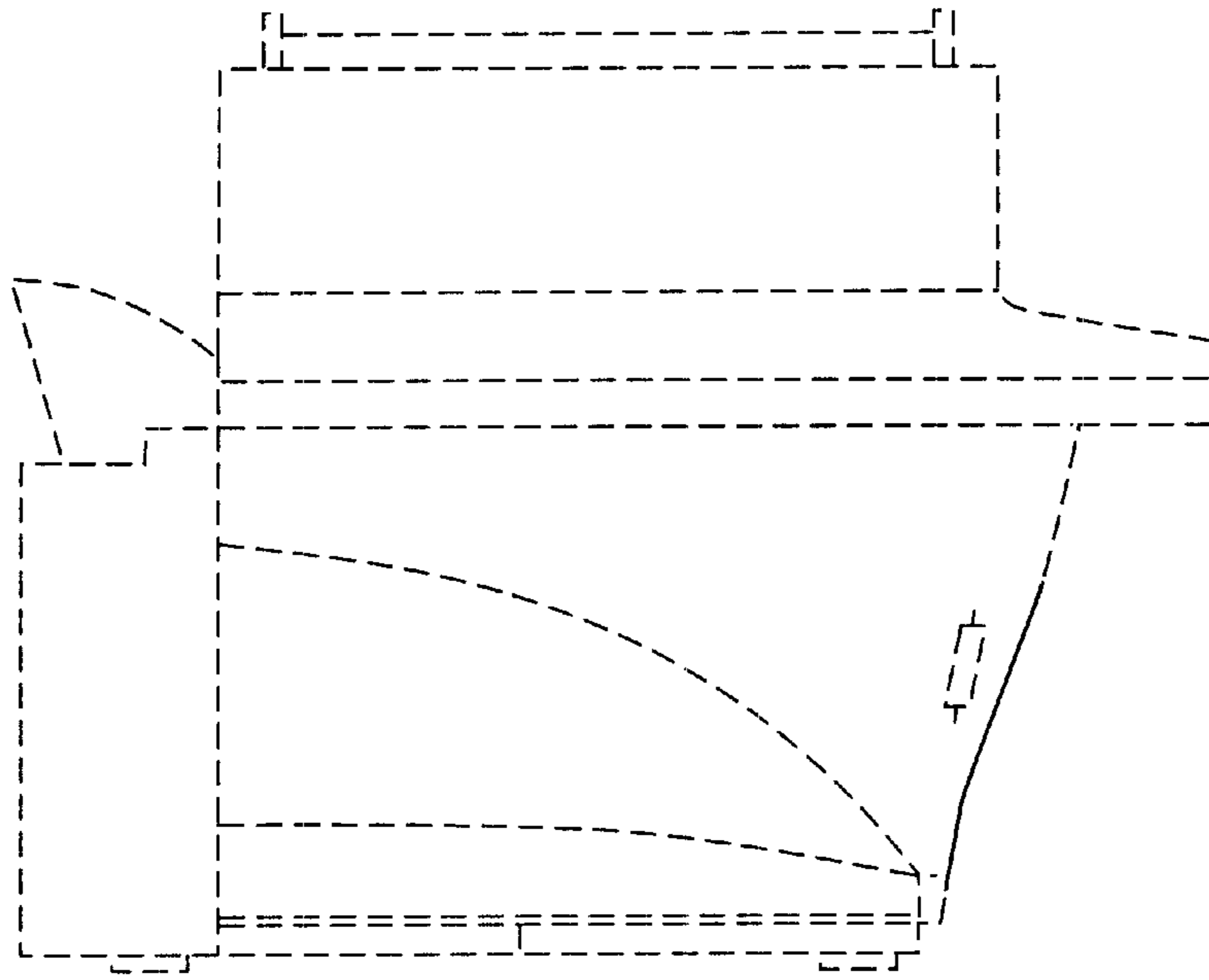


FIG. 3

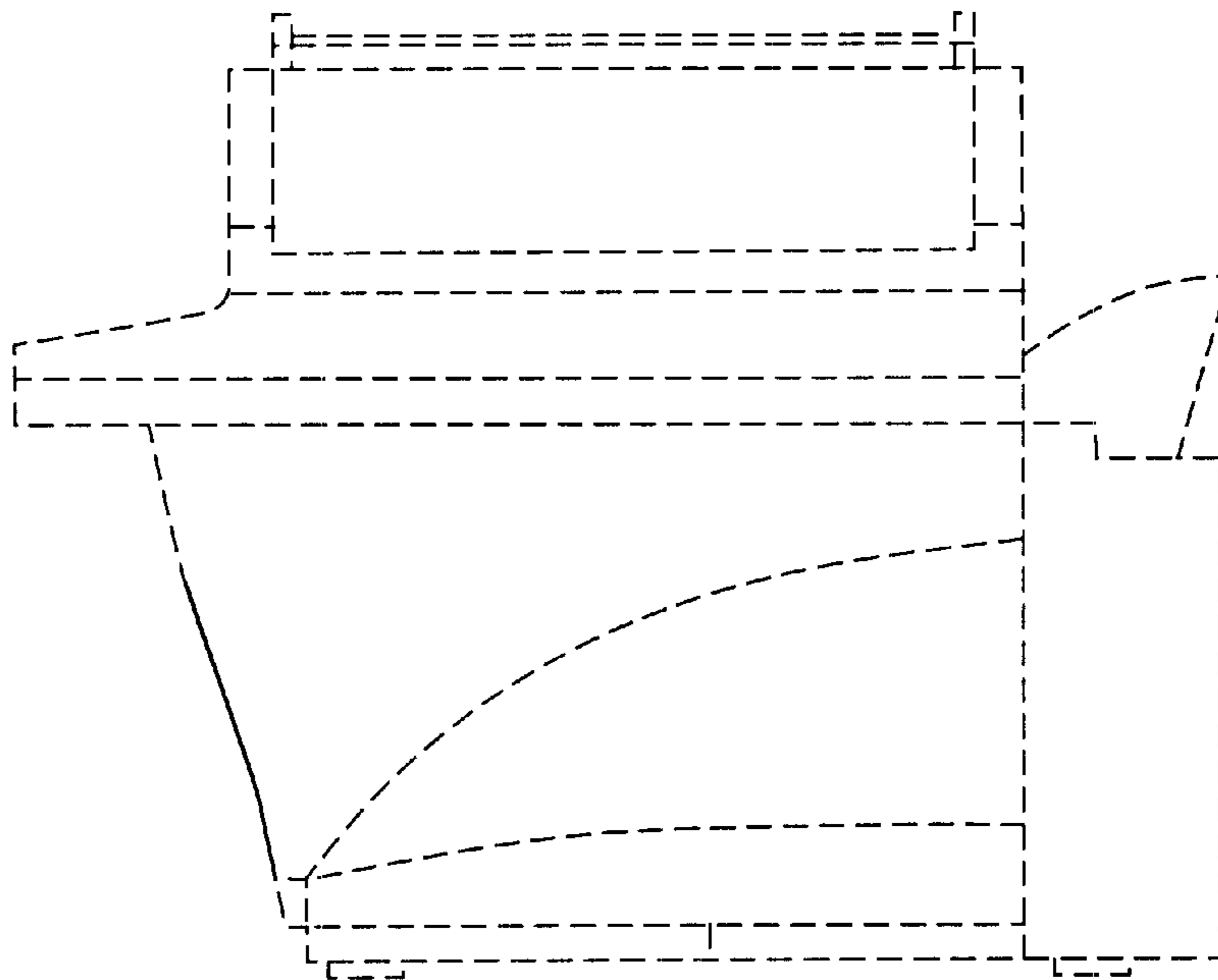


FIG. 4

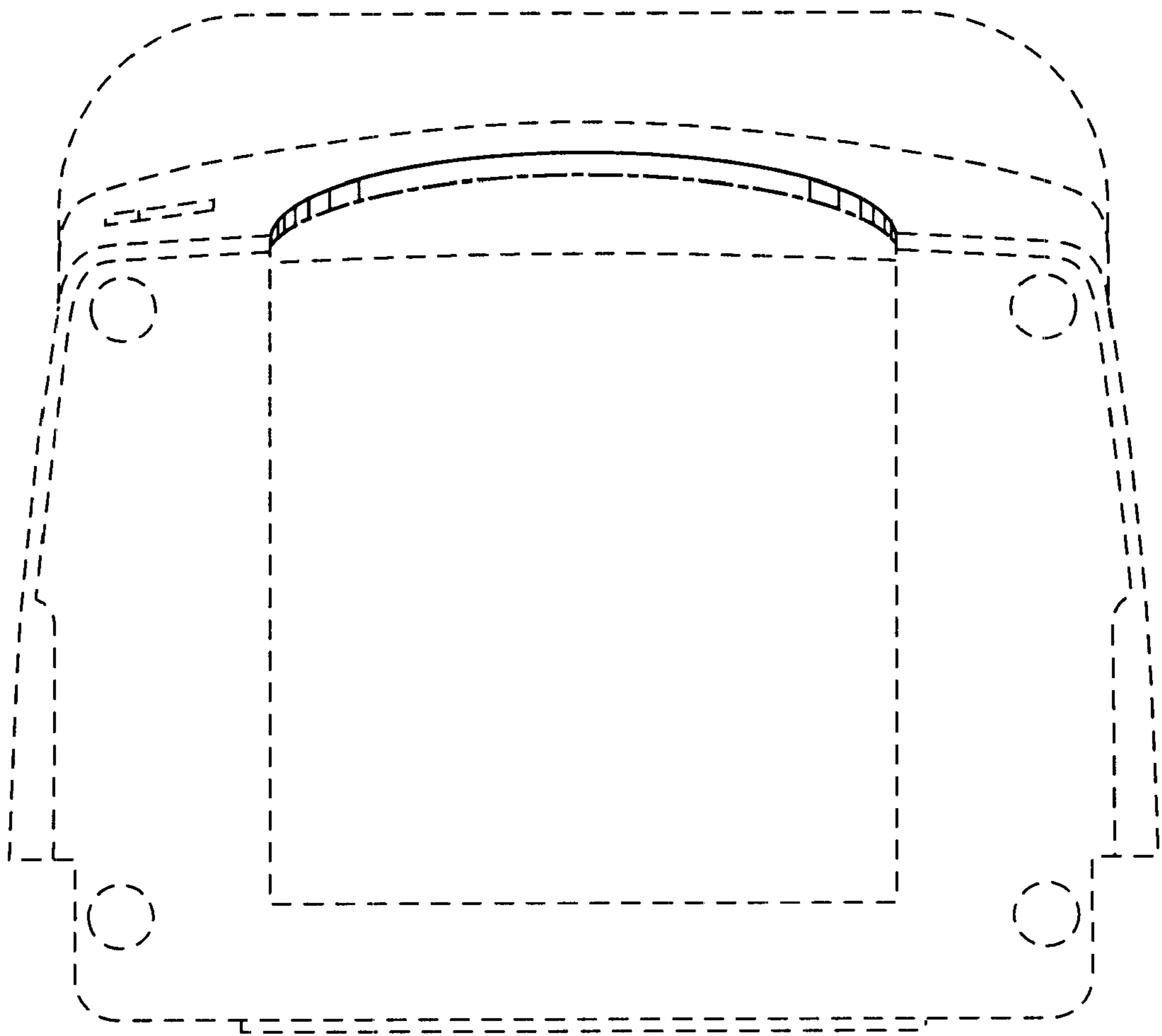


FIG. 5