



US00D481393S

(12) **United States Design Patent**
Alo et al.

(10) **Patent No.:** **US D481,393 S**

(45) **Date of Patent:** **** Oct. 28, 2003**

(54) **SERVER MODULE FOR A COMPUTER SYSTEM**

(75) **Inventors:** **Roland Kamakau Alo**, Cary, NC (US);
Martin Joseph Crippen, Apex, NC (US); **Brian Alan Trumbo**, Apex, NC (US)

(73) **Assignee:** **International Business Machines Corporation**, Armonk, NY (US)

(**) **Term:** **14 Years**

(21) **Appl. No.:** **29/170,954**

(22) **Filed:** **Nov. 14, 2002**

(51) **LOC (7) Cl.** **14-02**

(52) **U.S. Cl.** **D14/439**

(58) **Field of Search** D14/300-313,
D14/348-356, 441, 444, 445, 446, 432,
439; 312/223.2; 361/683, 684, 687, 690,
695, 724-730, 796; 710/100

(56) **References Cited**

U.S. PATENT DOCUMENTS

5,359,492	A	*	10/1994	Porter	361/683
5,995,377	A	*	11/1999	Tusler et al.	361/796
6,018,125	A	*	1/2000	Collins et al.	174/35 R
D423,479	S	*	4/2000	Alo et al.	D14/432
6,052,278	A	*	4/2000	Tanzer et al.	361/685
6,064,568	A	*	5/2000	Schmitt	361/685
6,067,225	A	*	5/2000	Reznikov et al.	361/685
6,154,361	A	*	11/2000	Anderson et al.	361/685
D442,181	S	*	5/2001	Alo et al.	D14/432
6,424,523	B1	*	7/2002	Curtis et al.	361/685
6,424,526	B1	*	7/2002	Heard	361/687
6,473,300	B1	*	10/2002	Youngquist et al.	361/685
6,498,723	B1	*	12/2002	Konshak et al.	361/685

D469,084	S	*	1/2003	Frank	D14/313
D475,027	S	*	5/2003	Frank et al.	D13/182
6,560,098	B1	*	5/2003	Beinor, Jr. et al.	361/685
D476,990	S	*	7/2003	Lee et al.	D14/363
2002/0141153	A1	*	10/2002	Su	361/687
2002/0199048	A1	*	12/2002	Rabinovitz	710/100
2003/0011979	A1	*	1/2003	Tanzer	361/685
2003/0011981	A1	*	1/2003	Curtis	361/685
2003/0030977	A1	*	2/2003	Garnett et al.	361/687

OTHER PUBLICATIONS

U.S. Patent Application entitled, "A Server Module Enclosure," filed Nov. 14, 2002 by Roland K. Alo.

* cited by examiner

Primary Examiner—Joel Sincavage

(74) *Attorney, Agent, or Firm*—James R. Nock

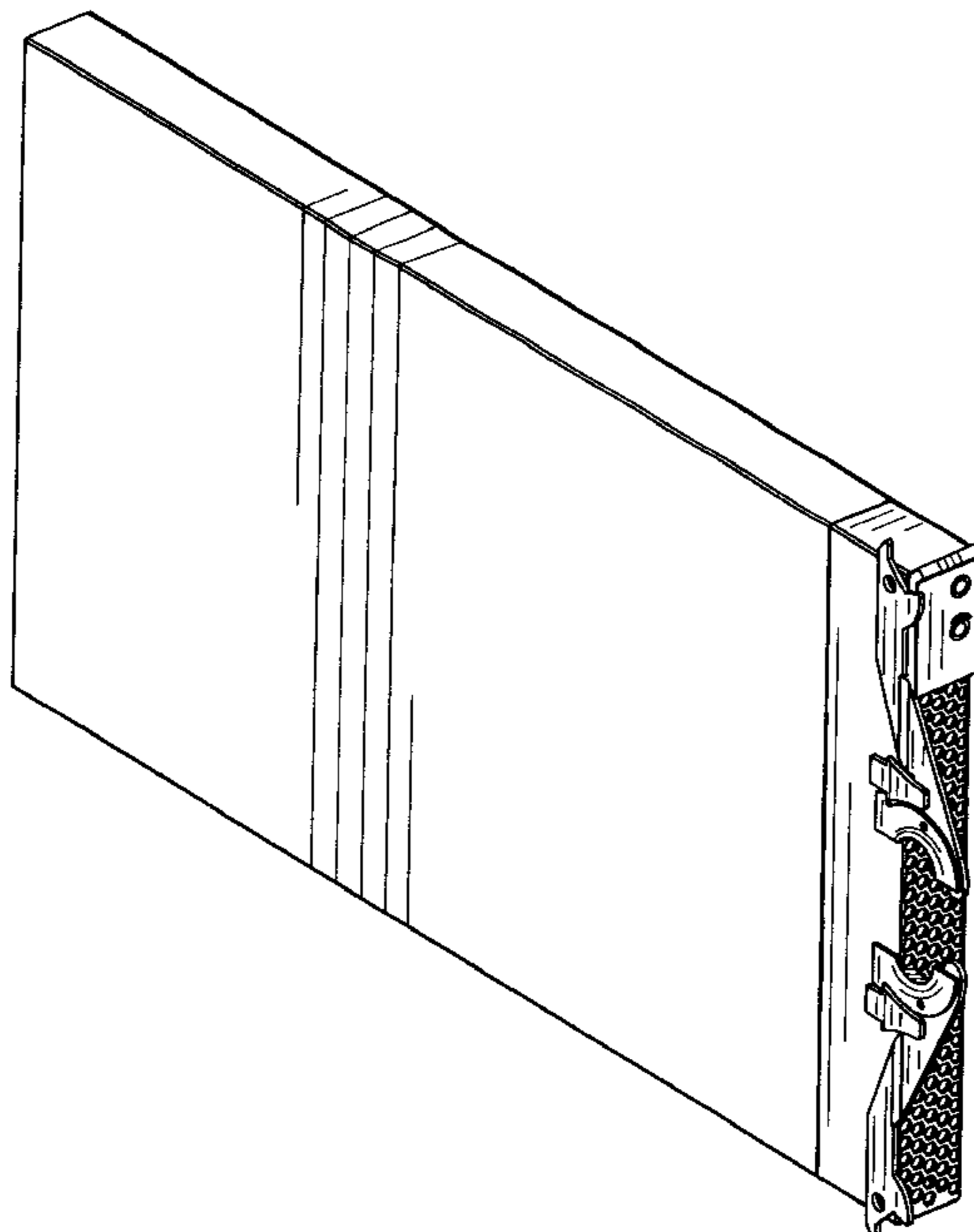
(57) **CLAIM**

The ornamental design of a server module for a computer system, as shown and described.

DESCRIPTION

FIG. 1 is a left, front isometric view of a server module for a computer system, showing our new design;
FIG. 2 is a right, front isometric view thereof;
FIG. 3 is an enlarged handle view thereof;
FIG. 4 is a front view thereof;
FIG. 5 is a left view thereof;
FIG. 6 is a right view thereof; and,
FIG. 7 is a top view thereof.
In FIG. 3, the inside surface of the handle is hatched to show the color blue. The appearance of the server module as seen from the rear and the bottom forms no part of the claimed design.

1 Claim, 7 Drawing Sheets



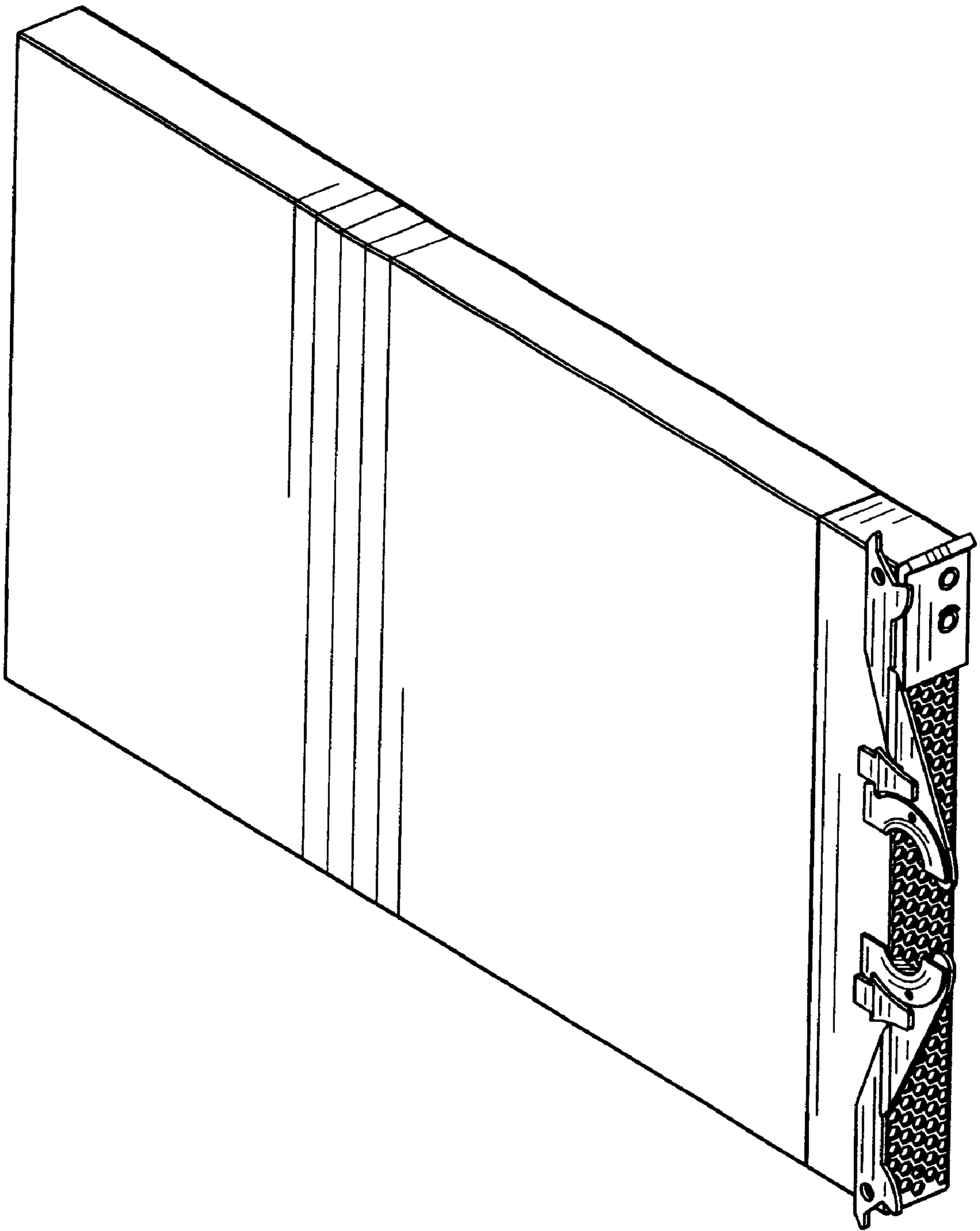


FIG. 1

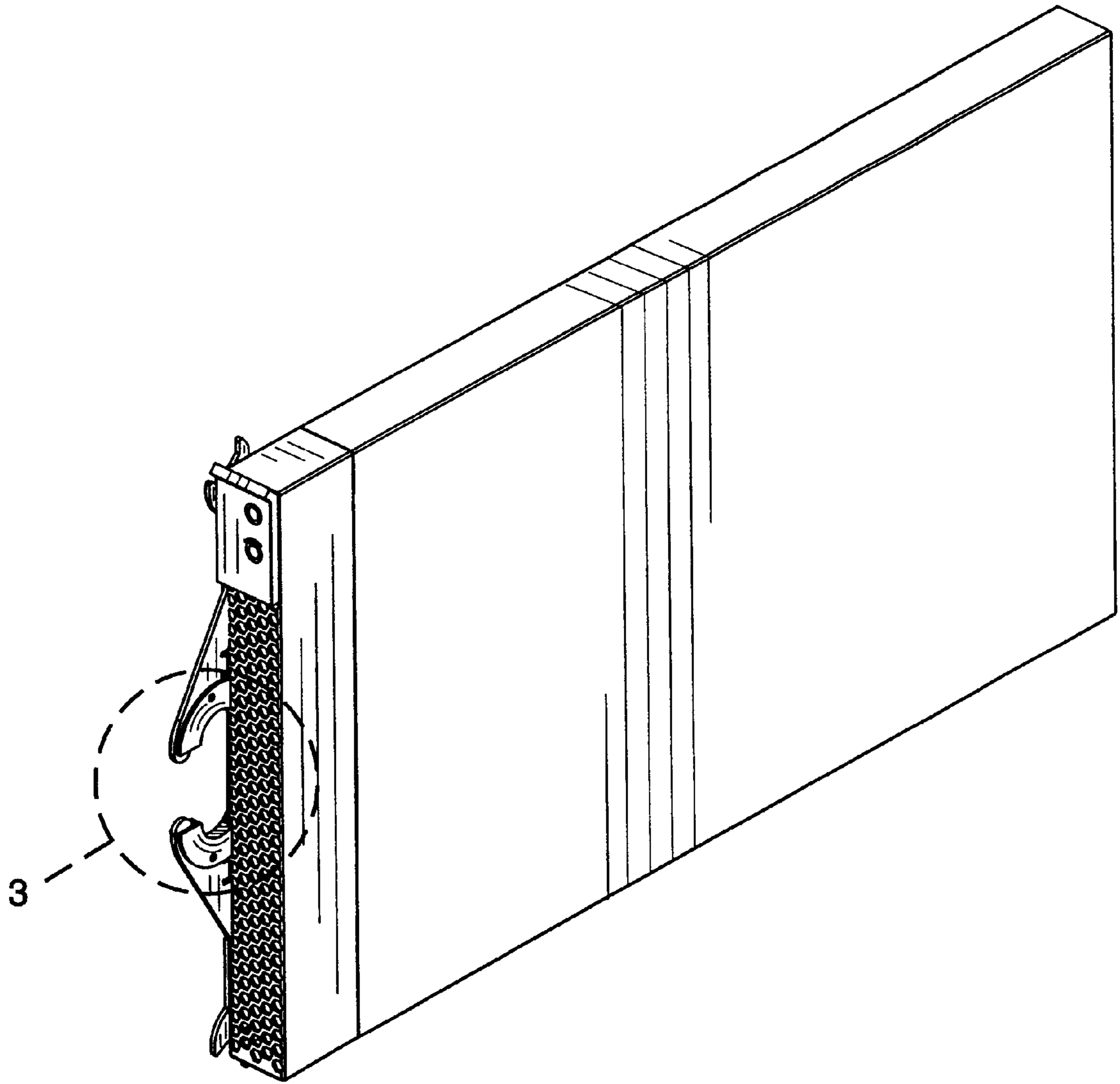


FIG. 2

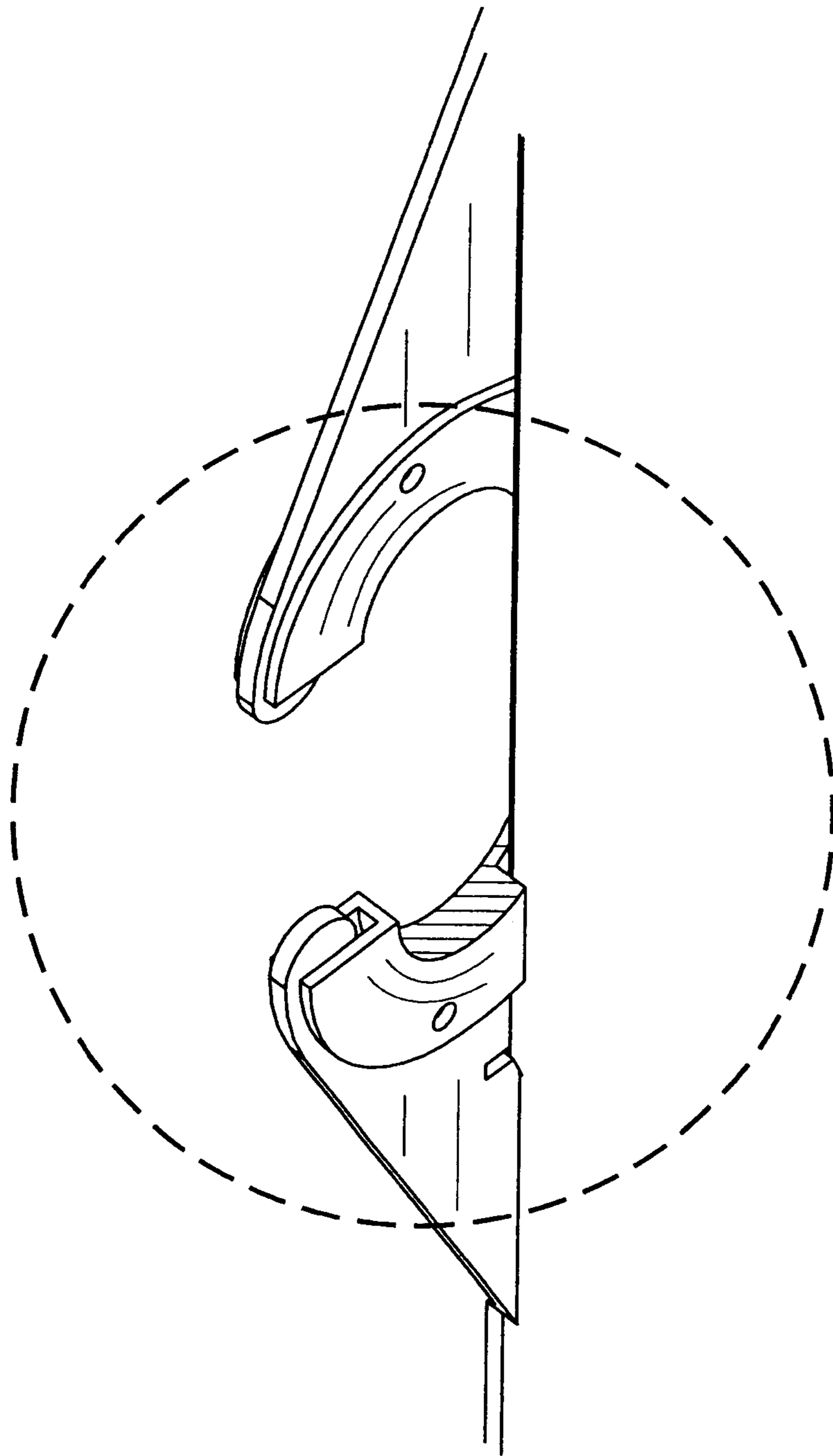


FIG. 3

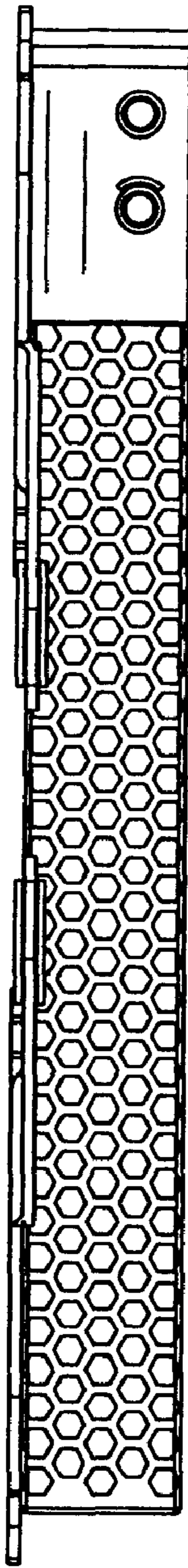


FIG. 4

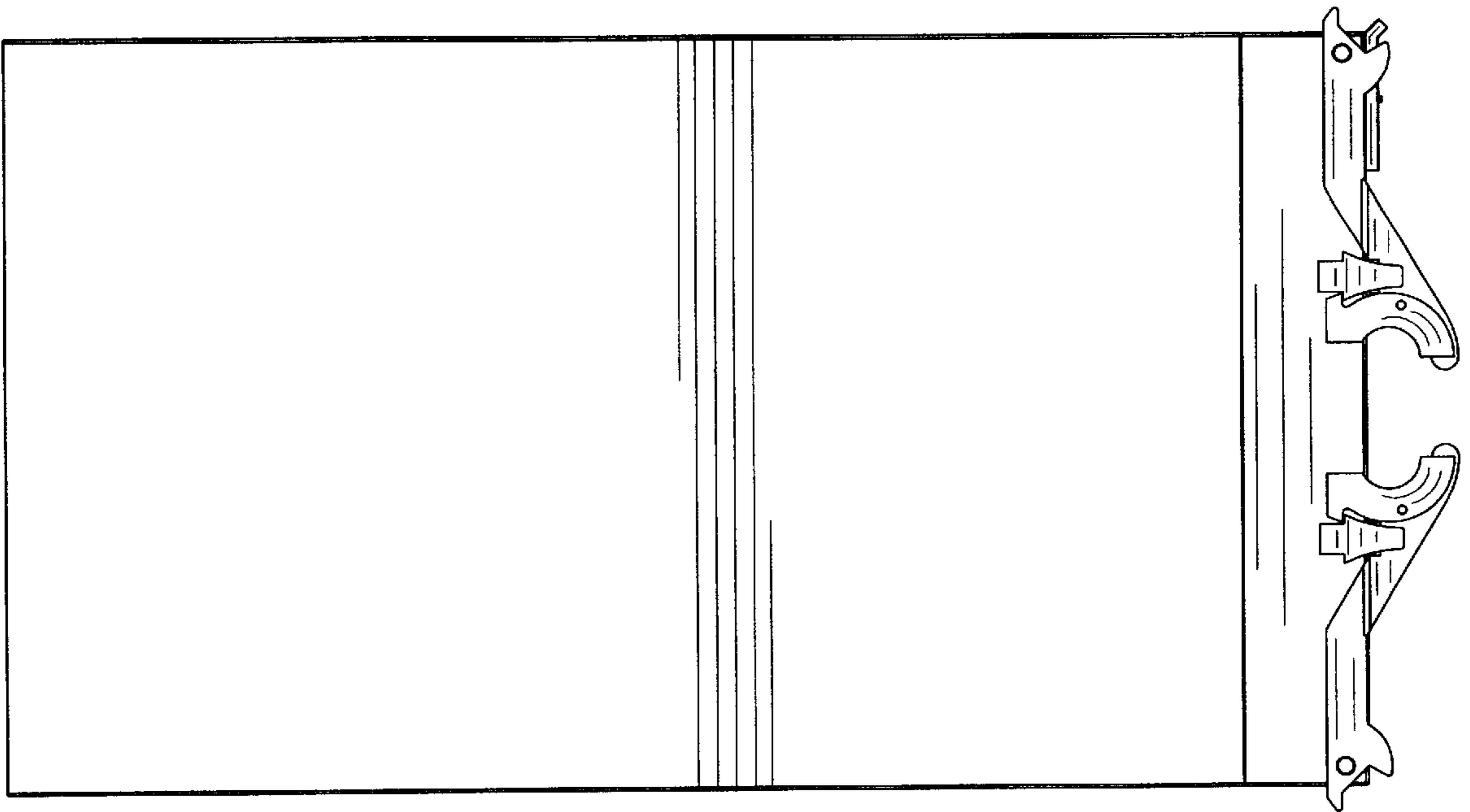


FIG. 5

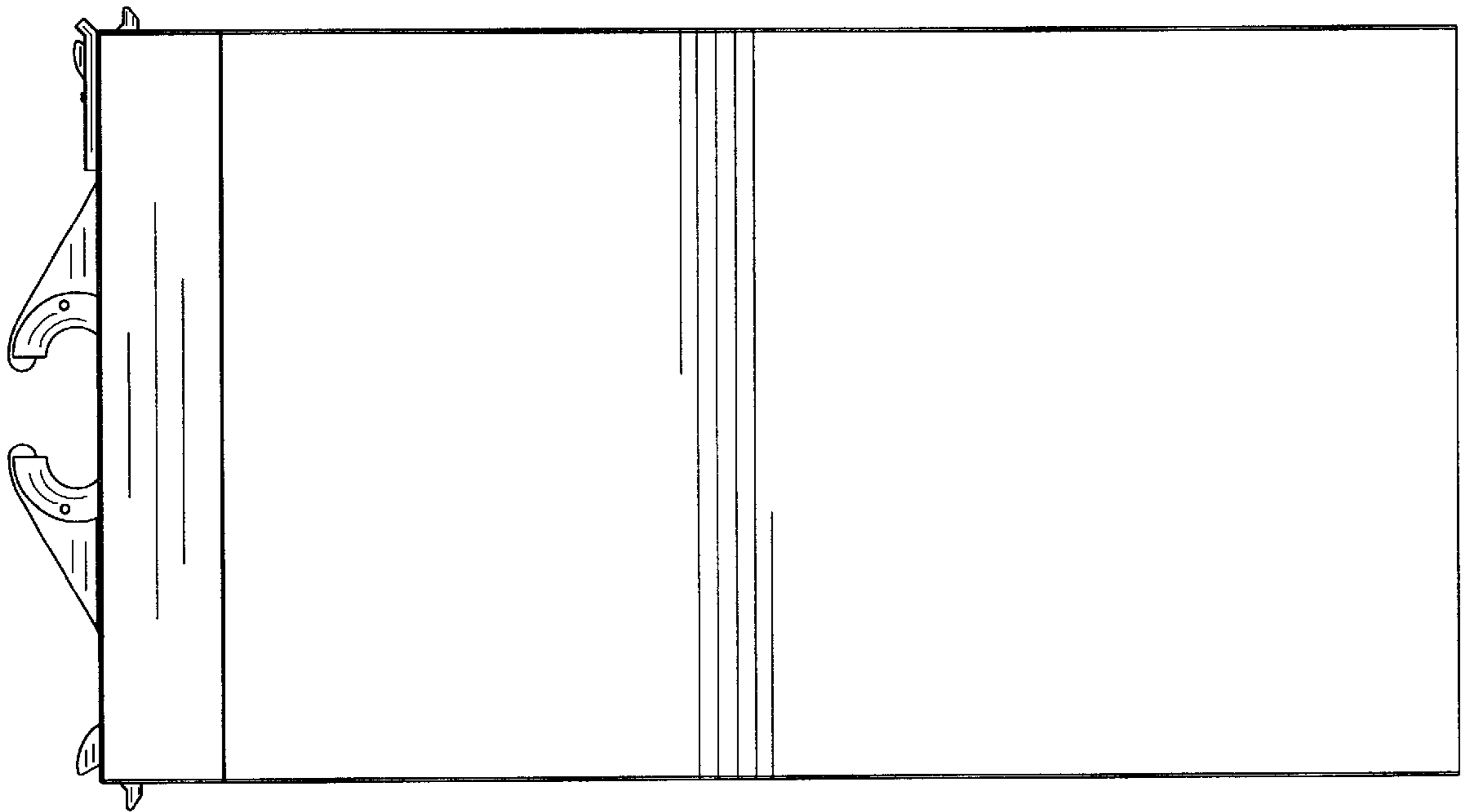


FIG. 6

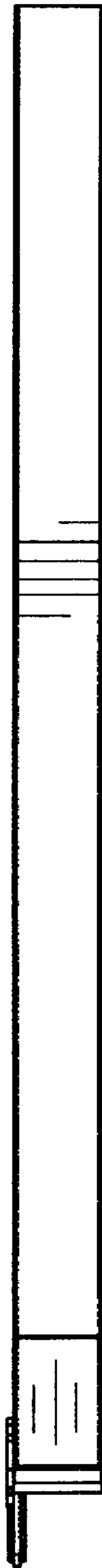


FIG. 7