



US00D481392S

(12) **United States Design Patent**  
**Dyer et al.**

(10) **Patent No.:** **US D481,392 S**

(45) **Date of Patent:** **\*\* Oct. 28, 2003**

(54) **DONGLE**

D391,943 S \* 3/1998 Han ..... D14/356  
D408,384 S \* 4/1999 Hata et al. .... D14/433

(75) Inventors: **Medford Alan Dyer**, San Diego, CA (US); **James MacDonal Turnbull**, San Diego, CA (US); **Stuart Karten**, Venice, CA (US); **Eric Olson**, Venice, CA (US); **Dennis Schroeder**, Hermosa Beach, CA (US)

\* cited by examiner

*Primary Examiner*—Freda Nunn  
(74) *Attorney, Agent, or Firm*—Bingham McCutchen, LLP; David G. Beck

(73) Assignee: **Jabra Corporation**, San Diego, CA (US)

(57) **CLAIM**

The ornamental design for a dongle, as shown and described.

(\*\*) Term: **14 Years**

**DESCRIPTION**

(21) Appl. No.: **29/157,063**

FIG. 1 is a perspective view of a dongle showing our new design;

(22) Filed: **Mar. 11, 2002**

FIG. 2 is a top plan view thereof;

(51) **LOC (7) Cl.** ..... **14-02**

FIG. 3 is a bottom plan view thereof;

(52) **U.S. Cl.** ..... **D14/433**

FIG. 4 is a front elevational view thereof;

(58) **Field of Search** ..... D14/432, 433,  
D14/439, 356, 434; 713/200, 201, 189,  
192

FIG. 5 is a rear elevational view thereof;

FIG. 6 is a left side elevational view thereof; and,

FIG. 7 is a right side elevational view thereof.

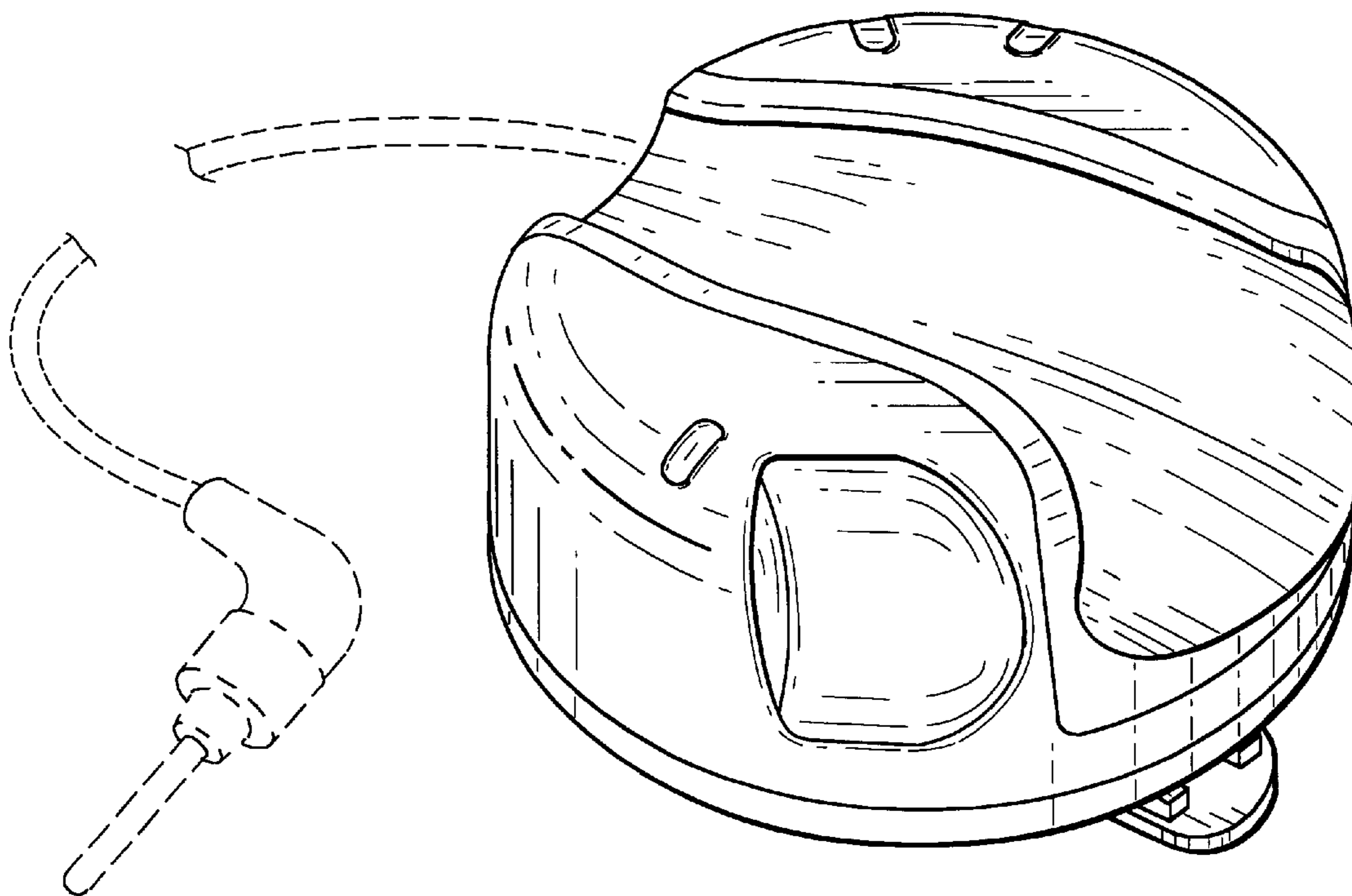
The broken lines are shown in the views for illustrative purposes only and form no part of the claimed design.

(56) **References Cited**

**U.S. PATENT DOCUMENTS**

D361,324 S \* 8/1995 Rogers ..... D14/434

**1 Claim, 4 Drawing Sheets**



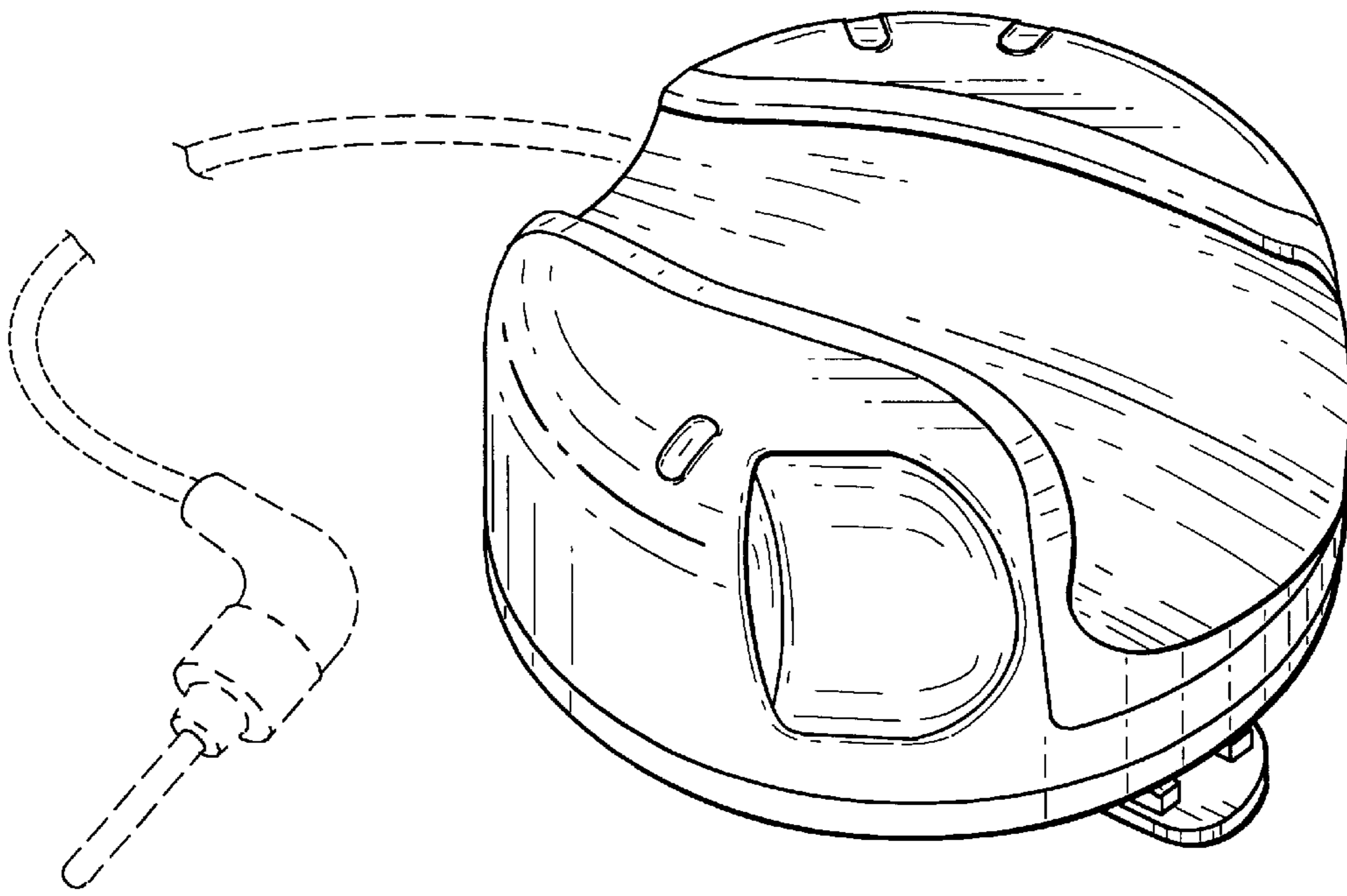


FIG. 1

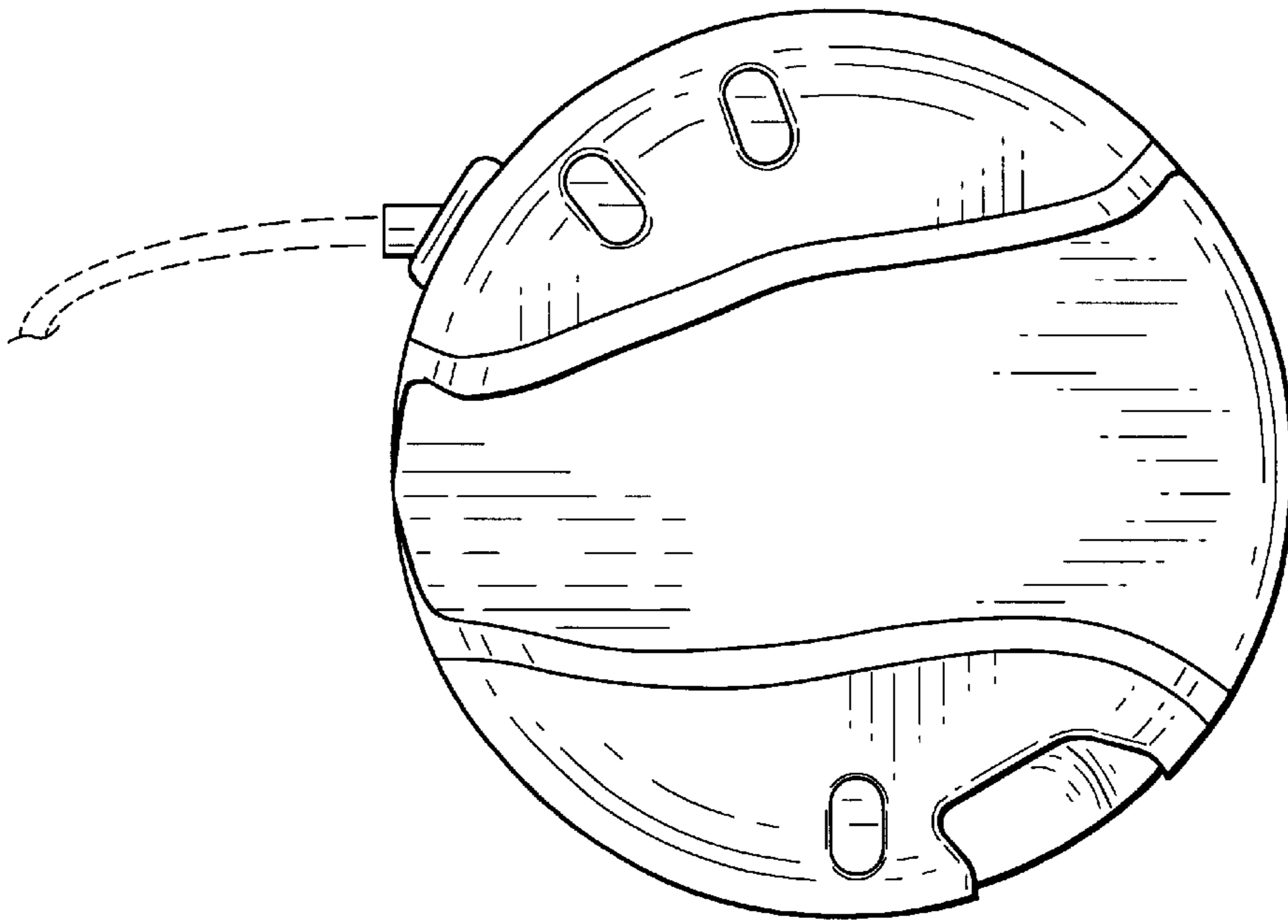


FIG. 2

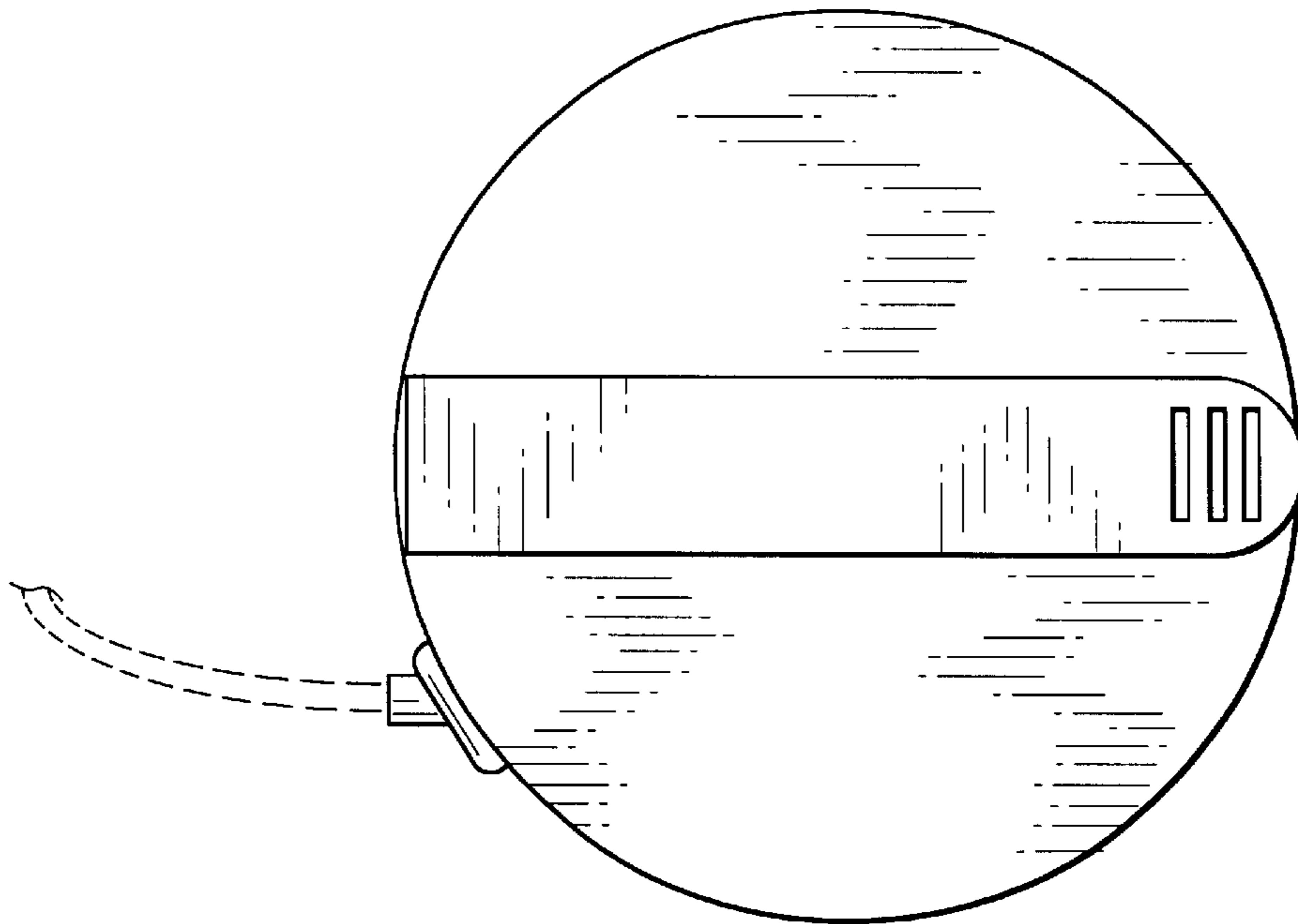
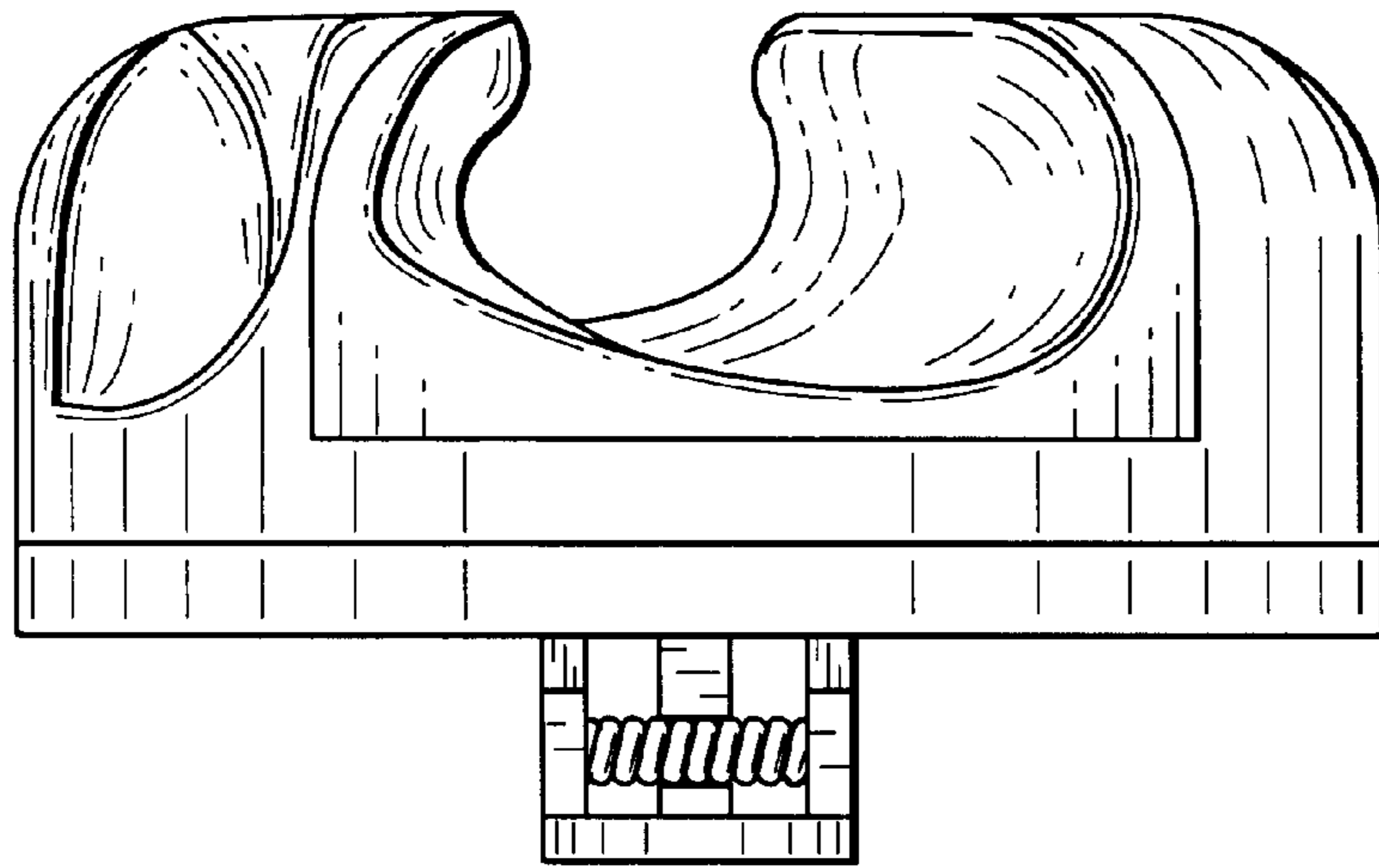
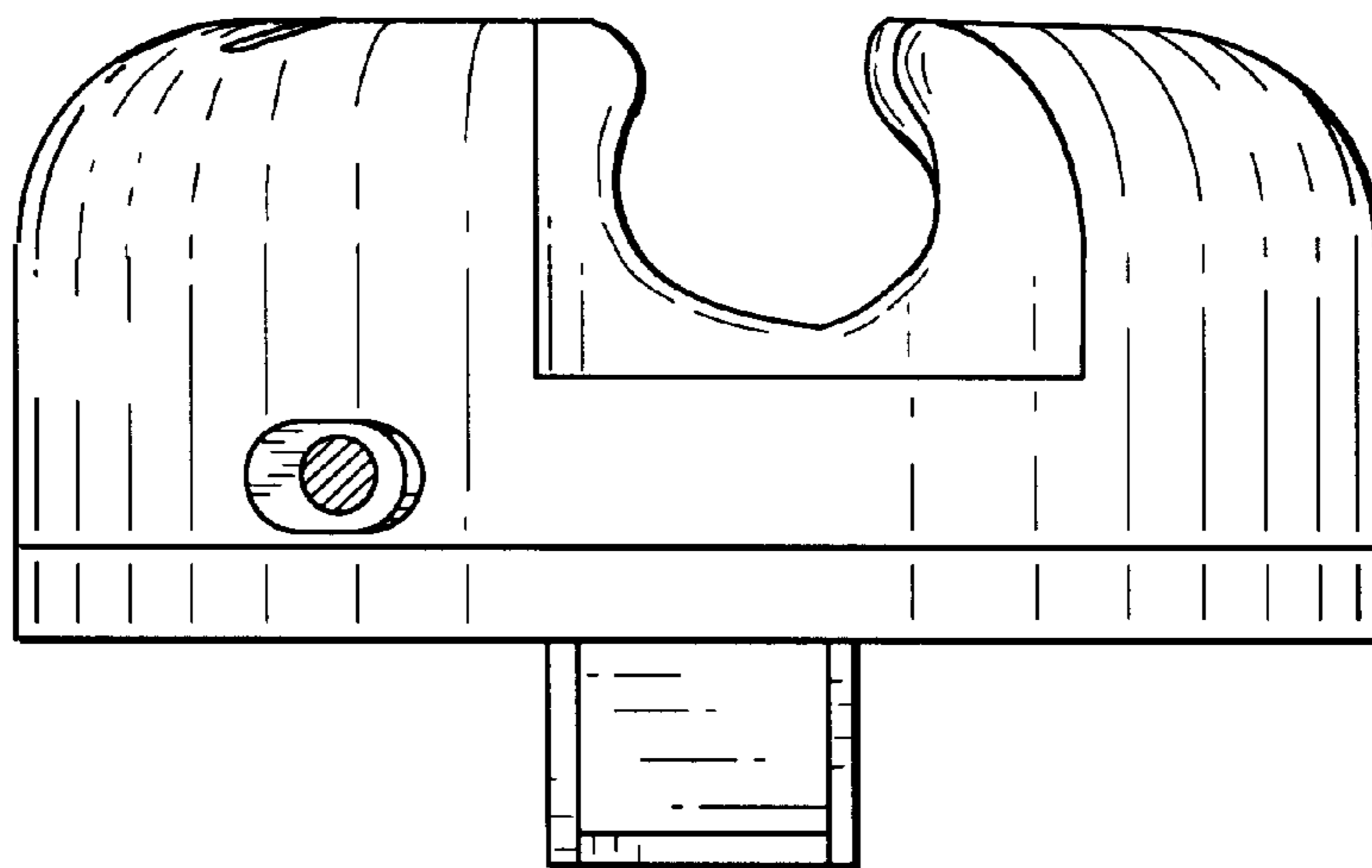


FIG. 3



**FIG. 4**



**FIG. 5**

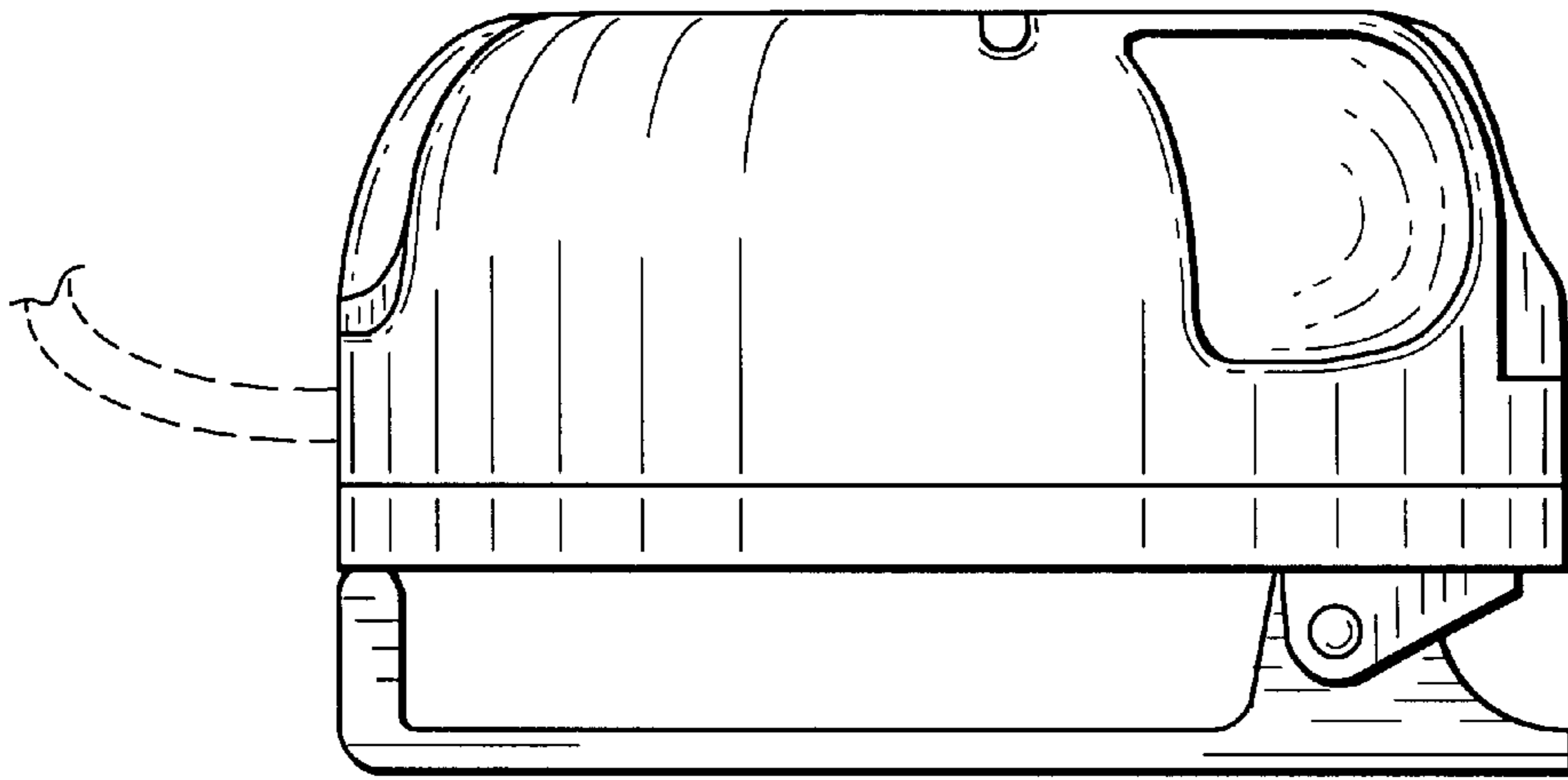


FIG. 6

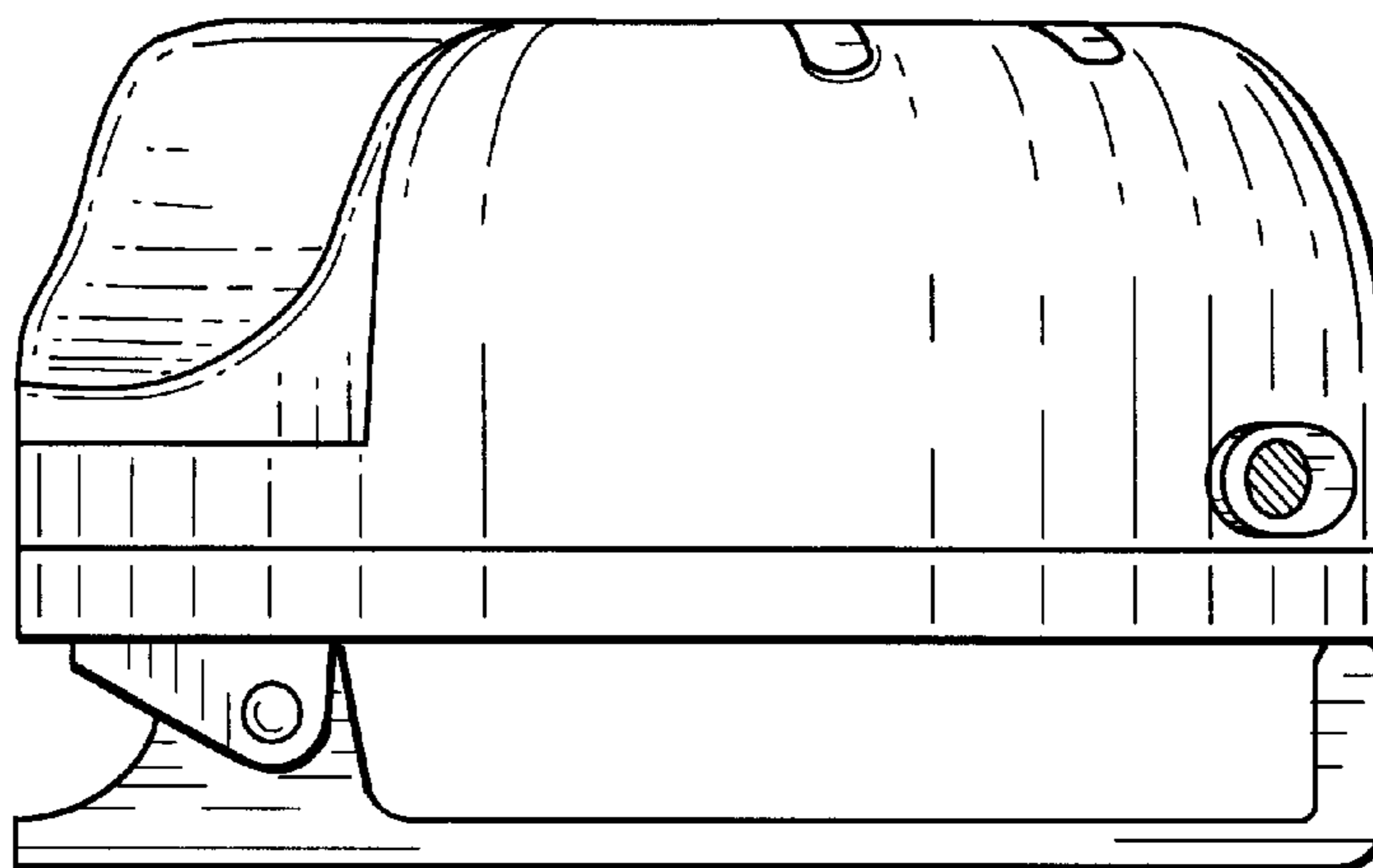


FIG. 7

UNITED STATES PATENT AND TRADEMARK OFFICE  
**CERTIFICATE OF CORRECTION**

PATENT NO. : Des. 481,392 S  
DATED : October 28, 2003  
INVENTOR(S) : Dyer et al.

Page 1 of 1

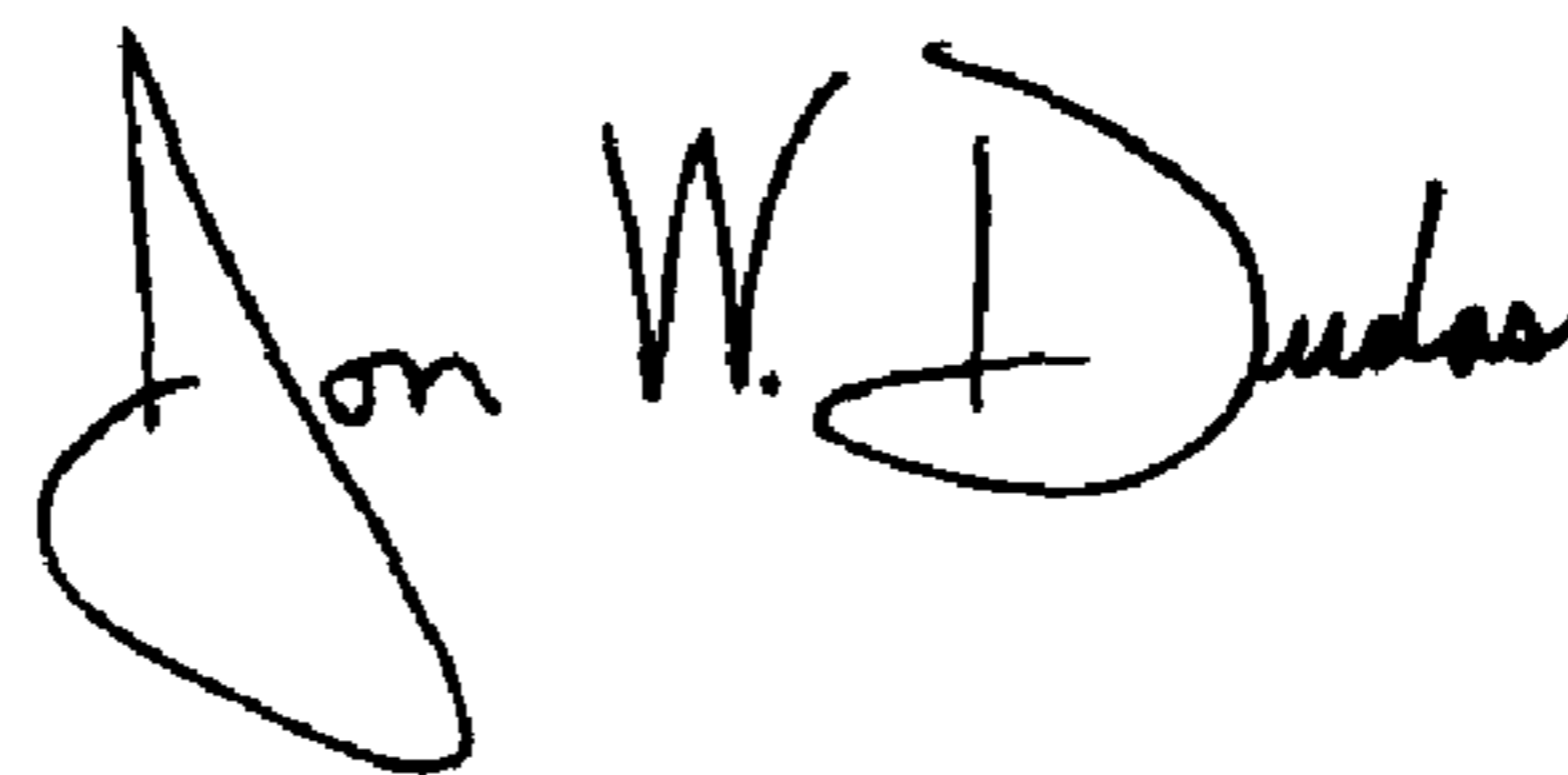
It is certified that error appears in the above-identified patent and that said Letters Patent is hereby corrected as shown below:

Title page.

Item [75], Inventors, the second inventor's name should read -- **James MacDonald  
Turnbull** --

Signed and Sealed this

Twenty-ninth Day of June, 2004

A handwritten signature in black ink that reads "Jon W. Dudas". The signature is written in a cursive style with a large, looped initial "J".

---

JON W. DUDAS  
*Acting Director of the United States Patent and Trademark Office*