



US00D481389S

(12) **United States Design Patent**
Owen

(10) **Patent No.:** **US D481,389 S**

(45) **Date of Patent:** **** Oct. 28, 2003**

(54) **DATA RECORDER**

(75) Inventor: **Gwilym Owen**, London (GB)

(73) Assignee: **Valiant Technology Limited**, London (GB)

(**) Term: **14 Years**

(21) Appl. No.: **29/151,645**

(22) Filed: **Dec. 7, 2001**

(30) **Foreign Application Priority Data**

Jun. 7, 2001 (GB) 2102365

(51) **LOC (7) Cl.** **14-02**

(52) **U.S. Cl.** **D14/358**

(58) **Field of Search** D14/356-359,
D14/432-434, 308; D13/162, 184, 199,
167; 360/97.01, 97.04, 98.01; 361/690-696;
369/34.01, 36.01; 439/95, 248; 235/479

(56) **References Cited**

U.S. PATENT DOCUMENTS

5,360,969 A * 11/1994 Suzuki 235/479

D401,573 S * 11/1998 Goto D14/308
D431,032 S * 9/2000 Sasago D14/167
D431,231 S * 9/2000 Goto D14/356
D435,044 S * 12/2000 Oviatt et al. D14/356

* cited by examiner

Primary Examiner—Freda Nunn

(74) *Attorney, Agent, or Firm*—Townsend and Townsend and Crew, LLP

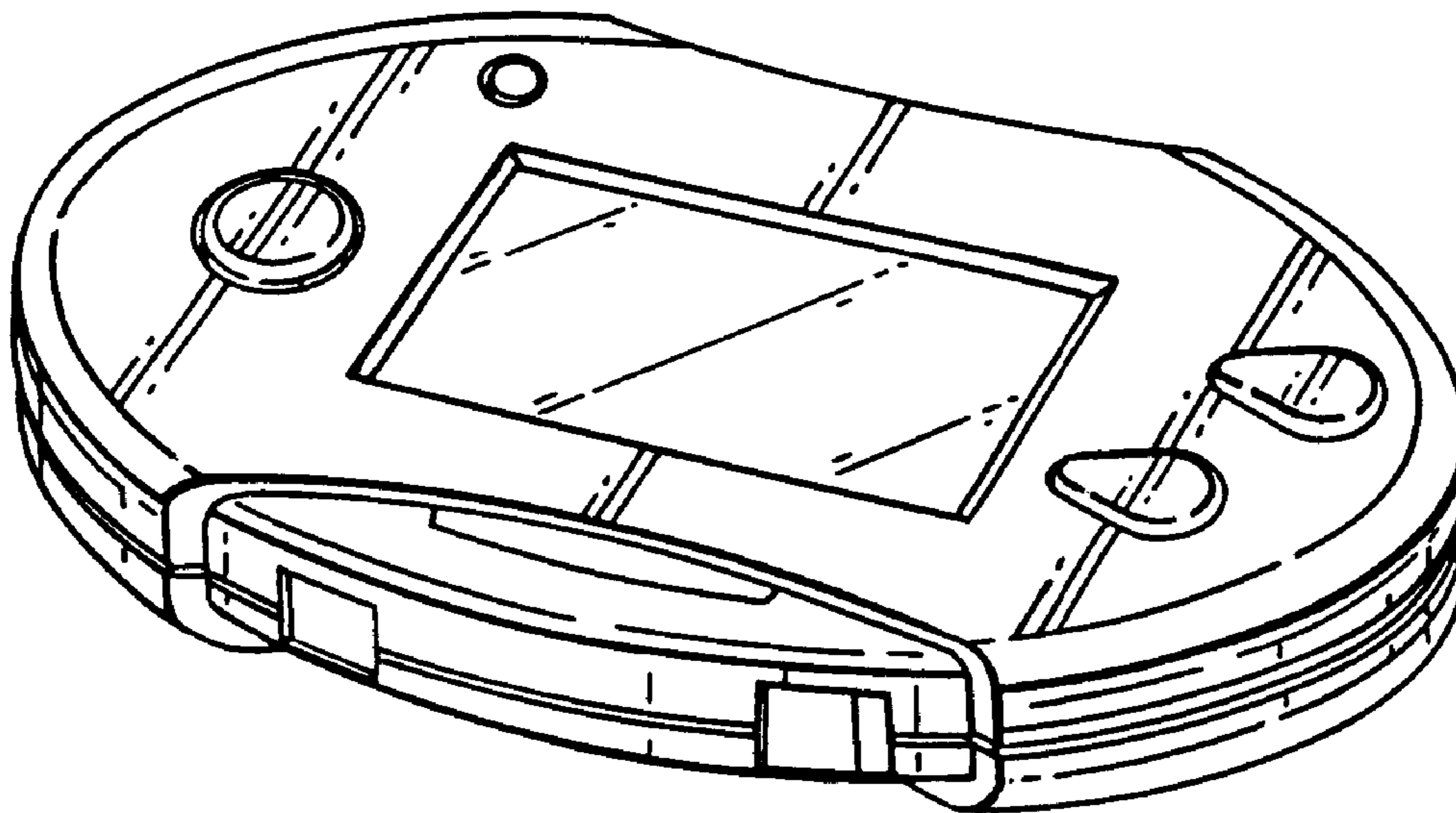
(57) **CLAIM**

The ornamental design for data recorder, as shown and described.

DESCRIPTION

FIG. 1 is a bottom plan view of my data recorder design; FIG. 2 is a plan view thereof; FIG. 3 is a rear view thereof; FIG. 4 is a front view thereof; FIG. 5 is a left side view thereof; FIG. 6 is a right side view thereof; and, FIG. 7 is a perspective view from above, front and right side thereof.

1 Claim, 2 Drawing Sheets



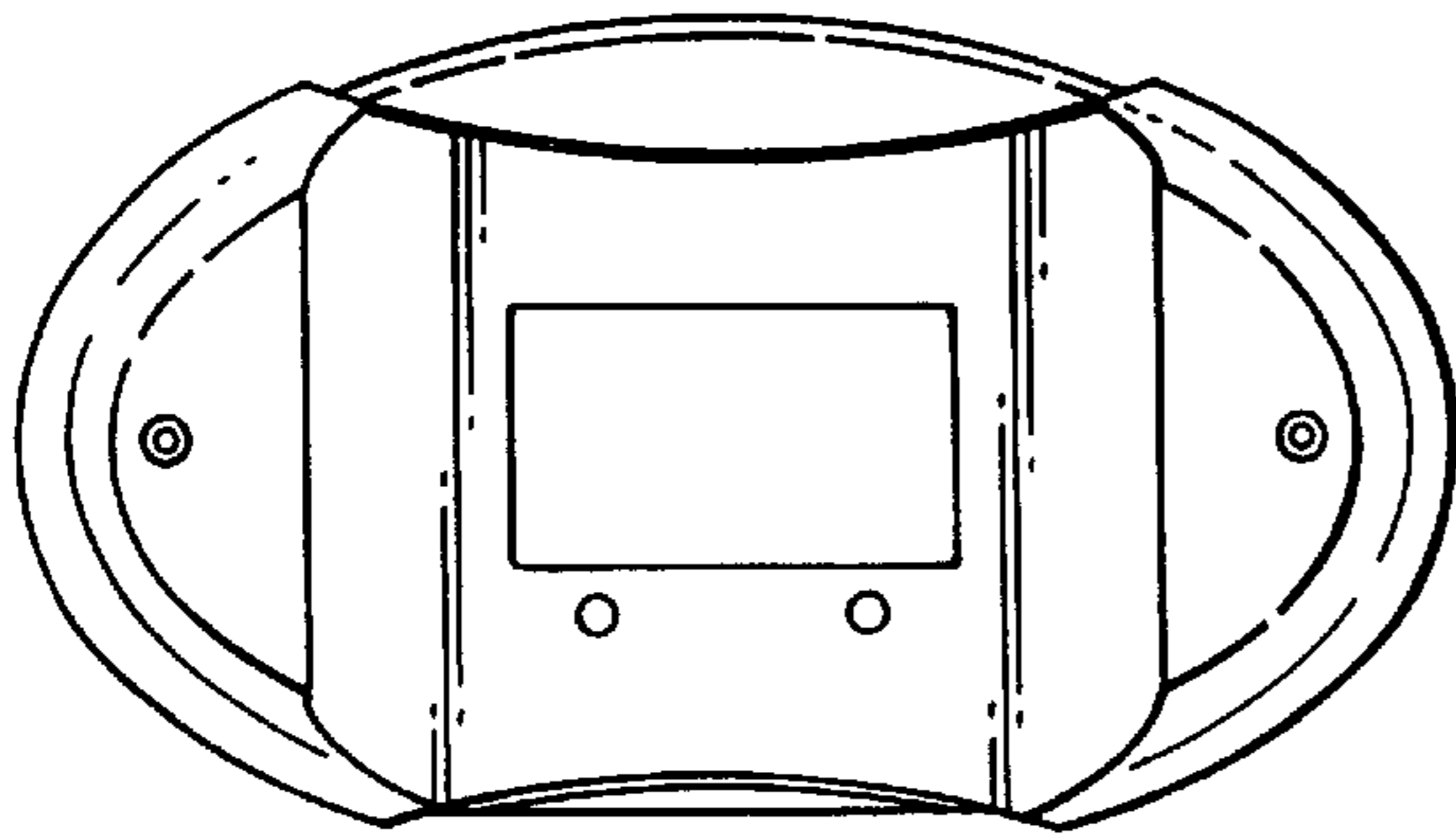


Fig.1.

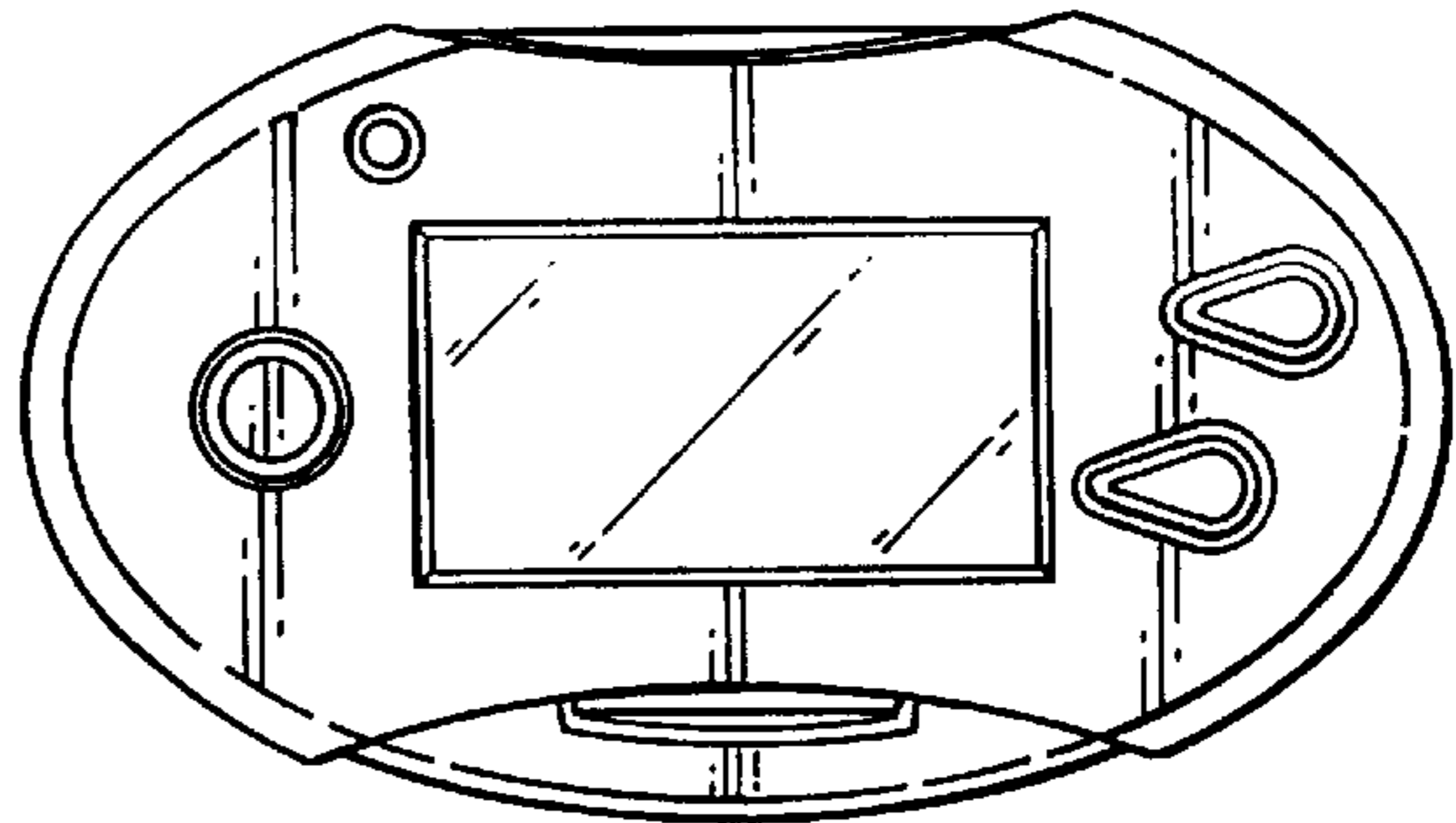


Fig.2.

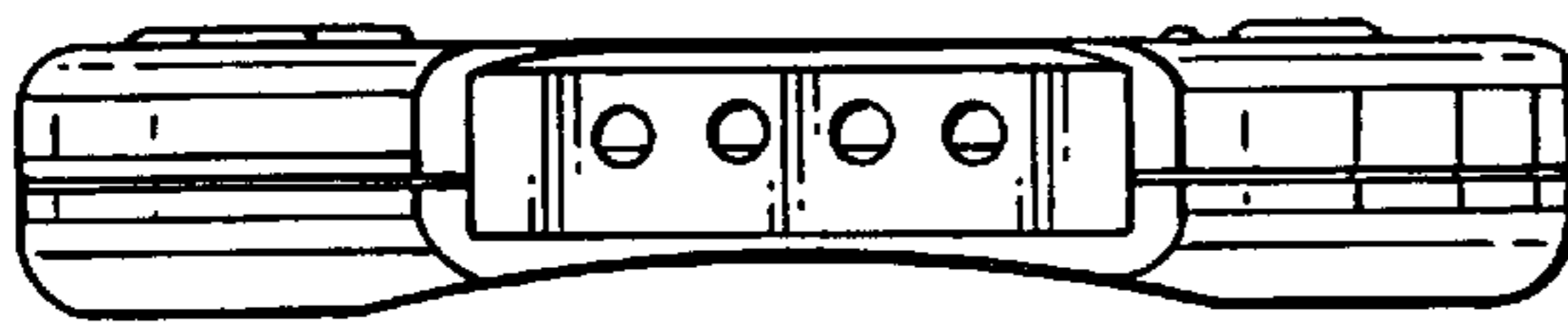


Fig.3.

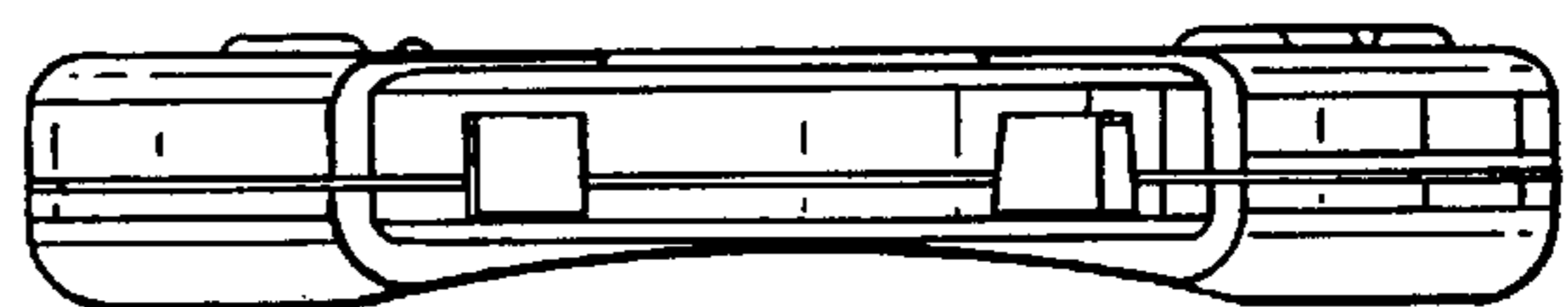


Fig.4.

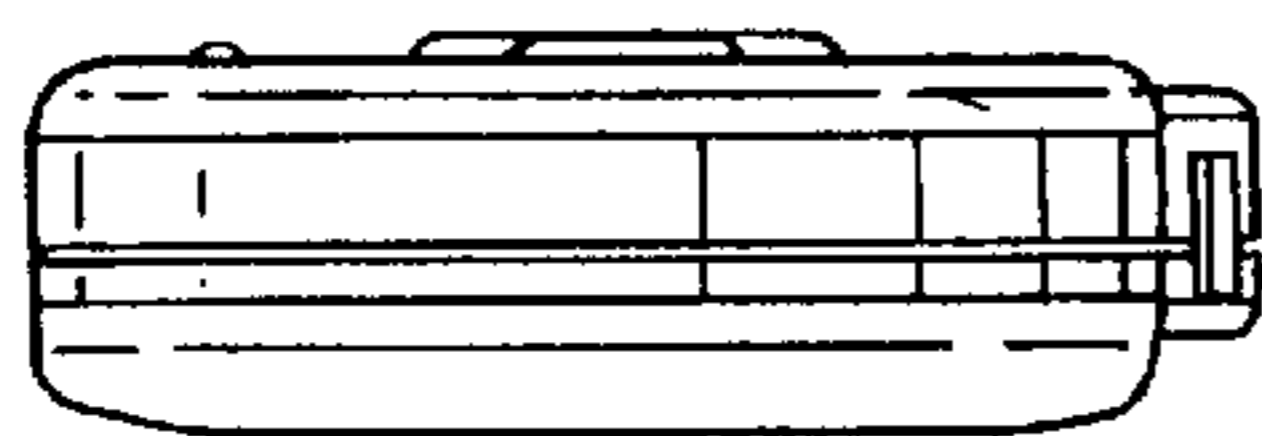


Fig.5.

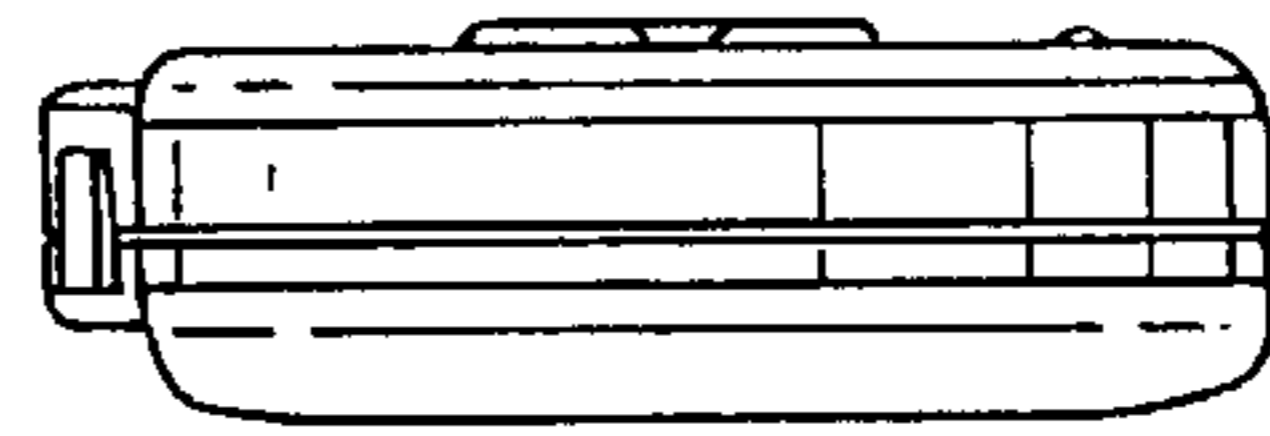


Fig.6.

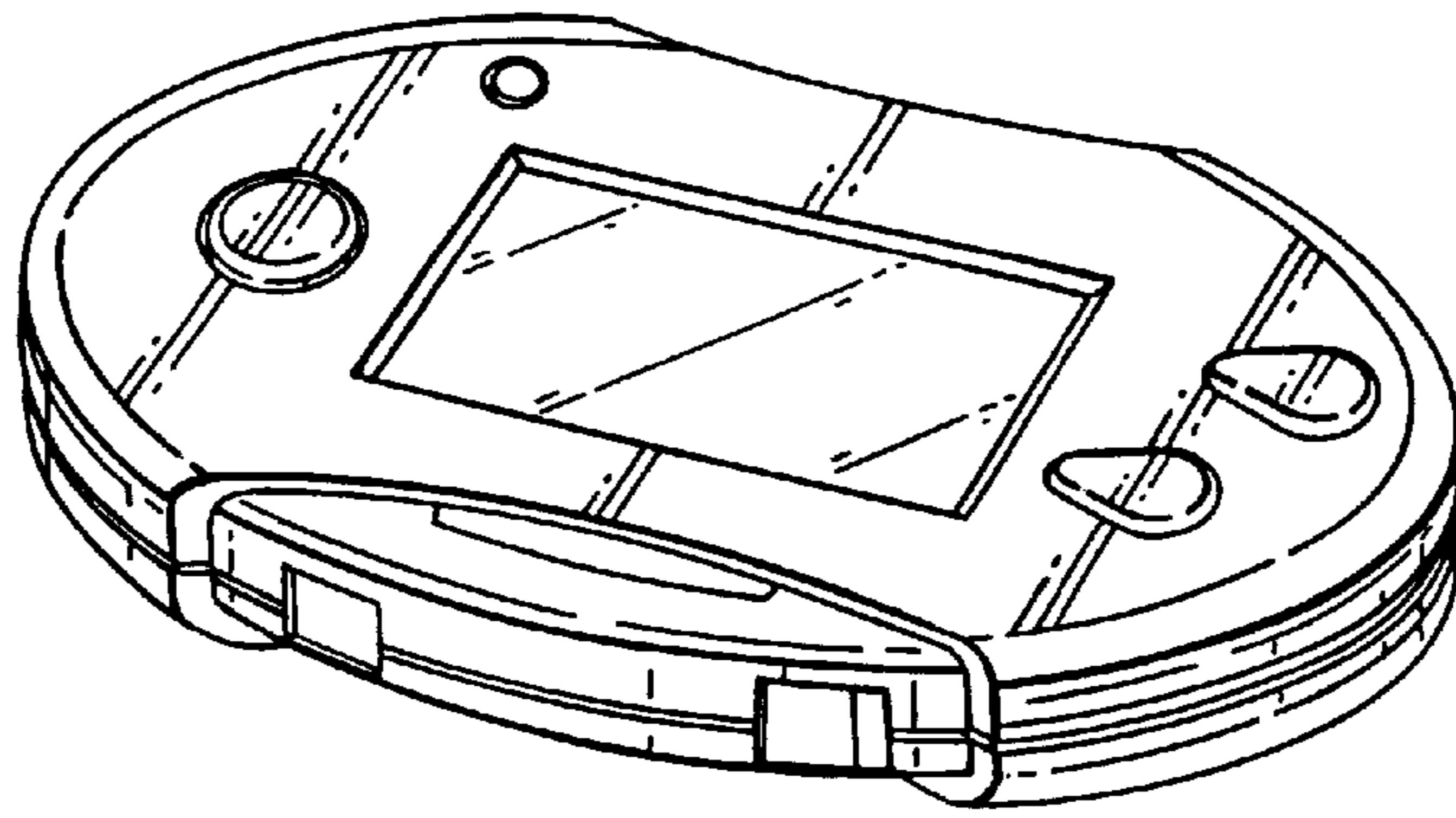


Fig.7.