



US00D481385S

(12) **United States Design Patent**
Tanaka

(10) **Patent No.:** **US D481,385 S**

(45) **Date of Patent:** **** Oct. 28, 2003**

(54) **ELECTRONIC COMPUTER**

D462,960 S * 9/2002 Tanaka D14/356

(75) Inventor: **Keita Tanaka**, Meguro-ku (JP)

FOREIGN PATENT DOCUMENTS

(73) Assignee: **Kabushiki Kaisha Toshiba** (JP)

JP	950023	3/1996
JP	991416	9/1997
JP	1065281	3/2000
JP	1081681	7/2000
TW	351586	1/1999

(**) Term: **14 Years**

(21) Appl. No.: **29/167,783**

OTHER PUBLICATIONS

(22) Filed: **Sep. 23, 2002**

Fujitsu Catalog, Primergy H200 dated Jul. 18, 2001.

(65) **Prior Publication Data**

* cited by examiner

(65)

(30) **Foreign Application Priority Data**

Primary Examiner—Joel Sincavage

Apr. 24, 2002 (JP) 2002-011064

(74) *Attorney, Agent, or Firm*—Banner & Witcoff, Ltd.

(51) **LOC (7) Cl.** **14-02**

(57) **CLAIM**

(52) **U.S. Cl.** **D14/308**; D14/352

The ornamental design for an electronic computer, as shown and described.

(58) **Field of Search** D14/300–313,
D14/348–356, 351, 352; 312/223.2; 361/683,
724

DESCRIPTION

(56) **References Cited**

FIG. 1 is a top, front and right side perspective view of an electronic computer showing my new design, FIG. 2 is a front elevational view thereof, FIG. 3 is a rear elevational view thereof, FIG. 4 is a left side elevational view thereof, FIG. 5 is a right side elevational view thereof, FIG. 6 is a top plan view thereof, FIG. 7 is a bottom plan view thereof; and, FIG. 8 is a front elevational view showing the article with a front cover being in an open position.

U.S. PATENT DOCUMENTS

D298,752 S	*	11/1988	Hoshino	D14/352
5,790,278 A	*	8/1998	Ehrne et al.	D14/351 X
5,867,369 A	*	2/1999	Antonuccio et al.	.	312/223.2 X
5,887,962 A	*	3/1999	Tsai	312/223.2 X
D418,492 S		1/2000	Nagase		
D435,559 S		12/2000	Tanaka		
D438,205 S		2/2001	Tanaka		
D454,872 S		3/2002	Tanaka		

1 Claim, 3 Drawing Sheets

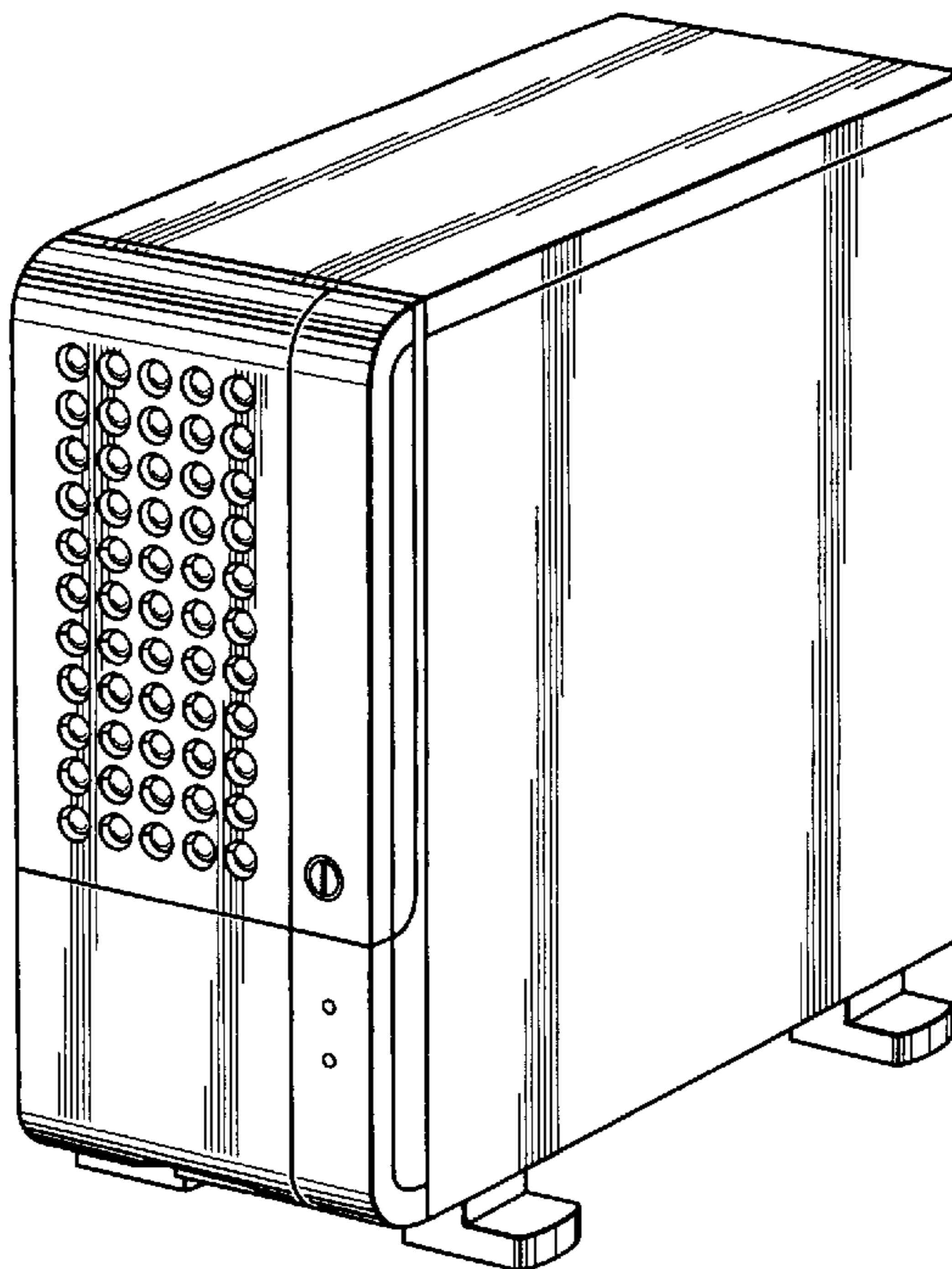


FIG. 1

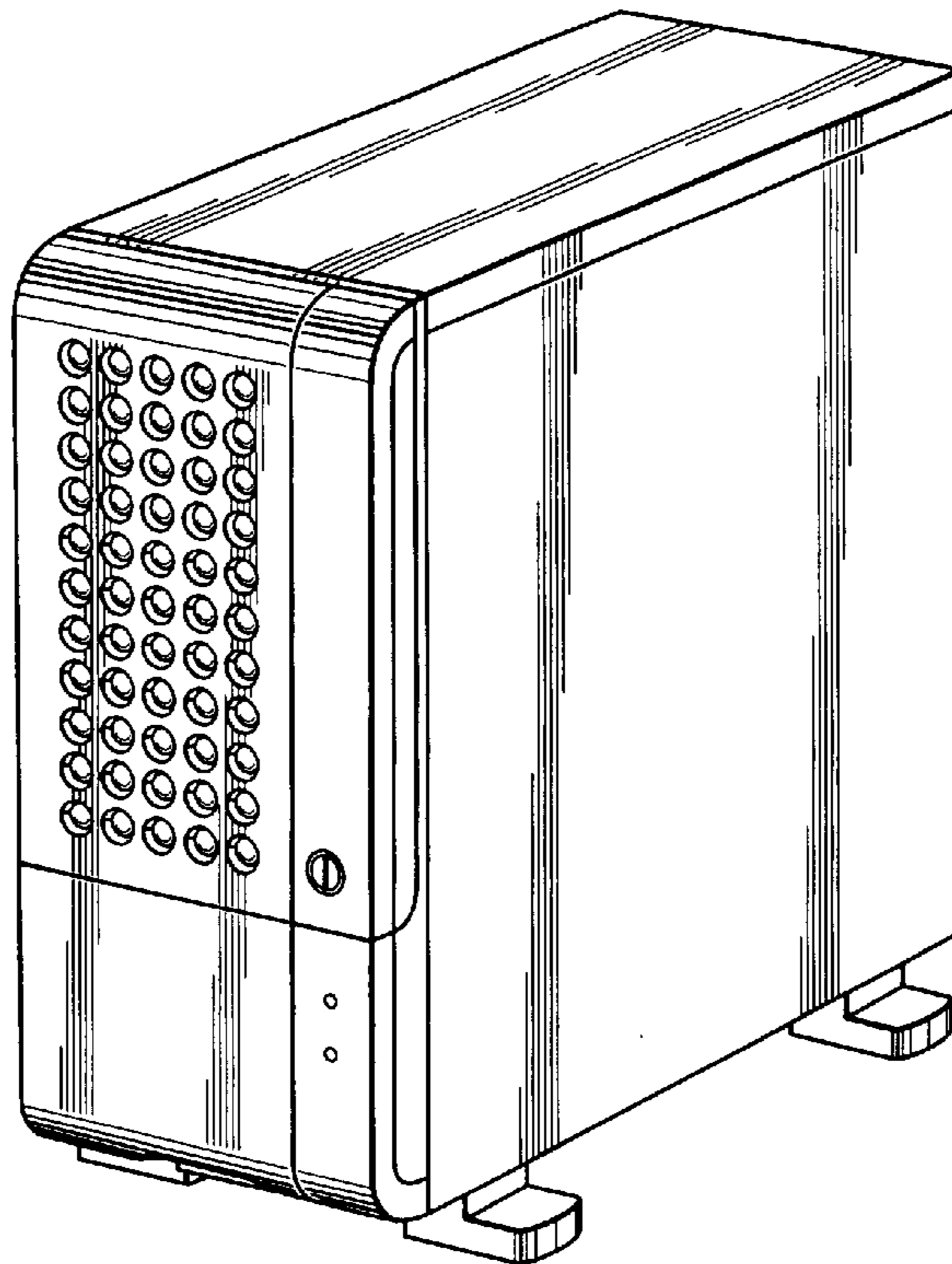


FIG. 2

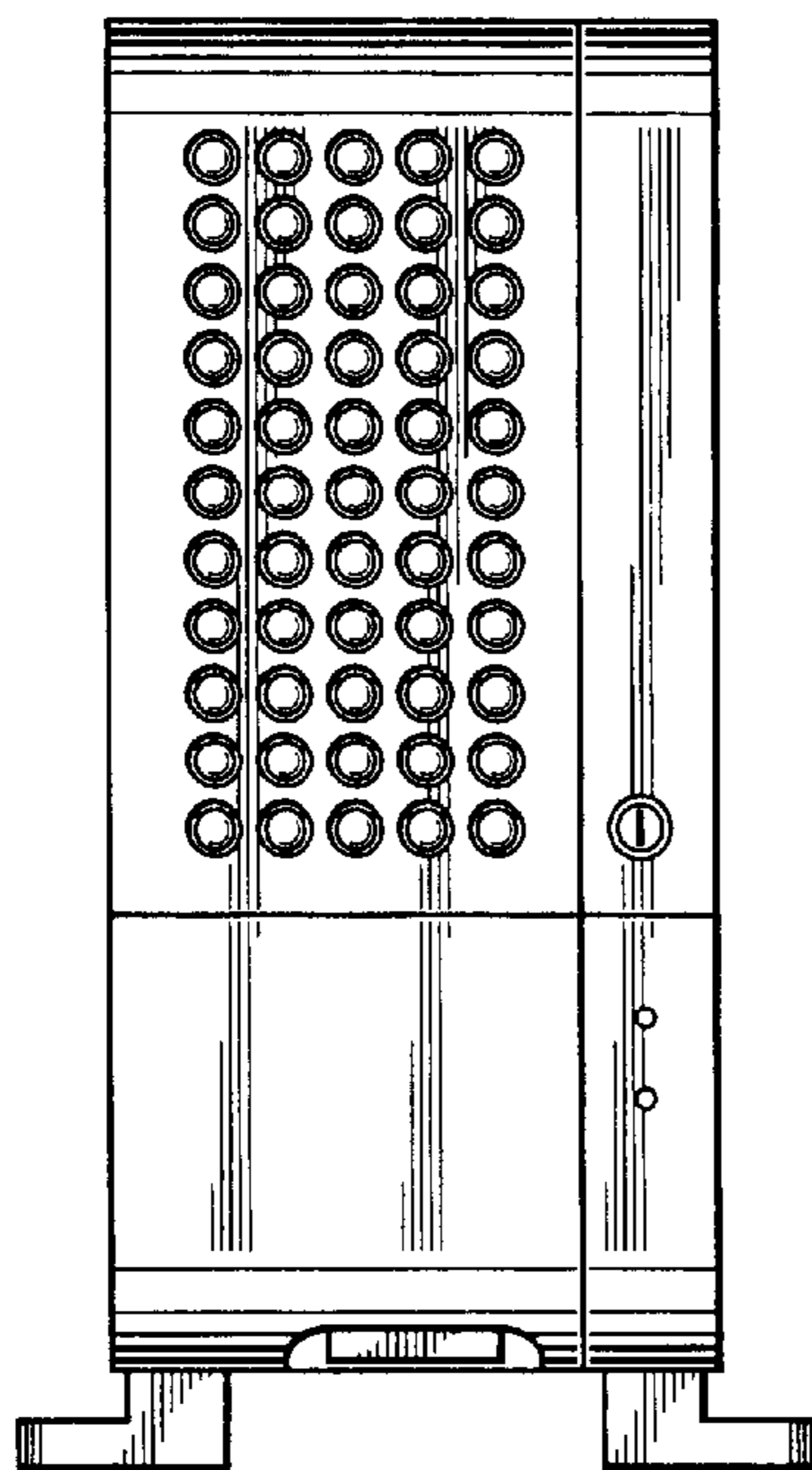


FIG. 3

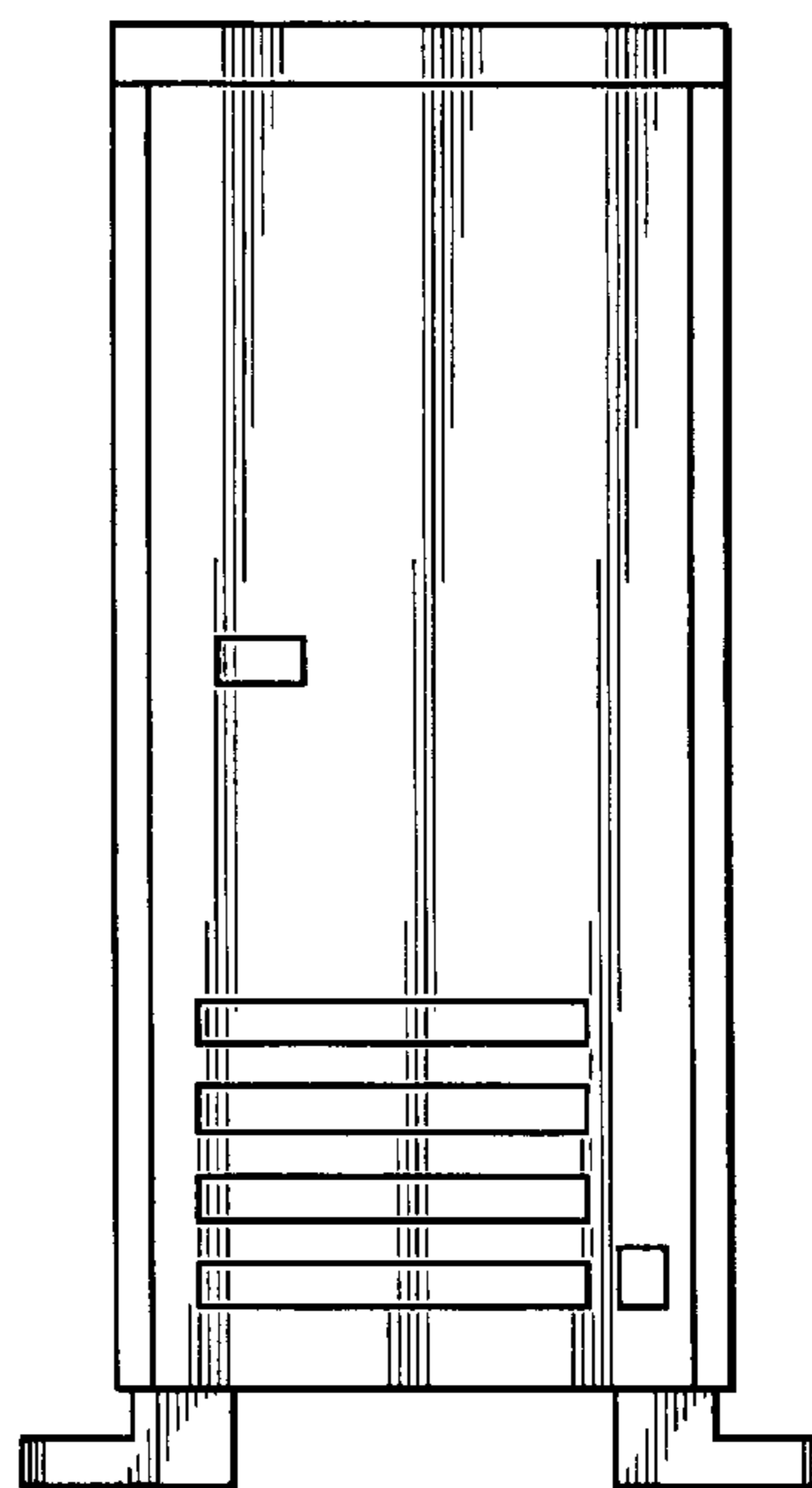


FIG. 4

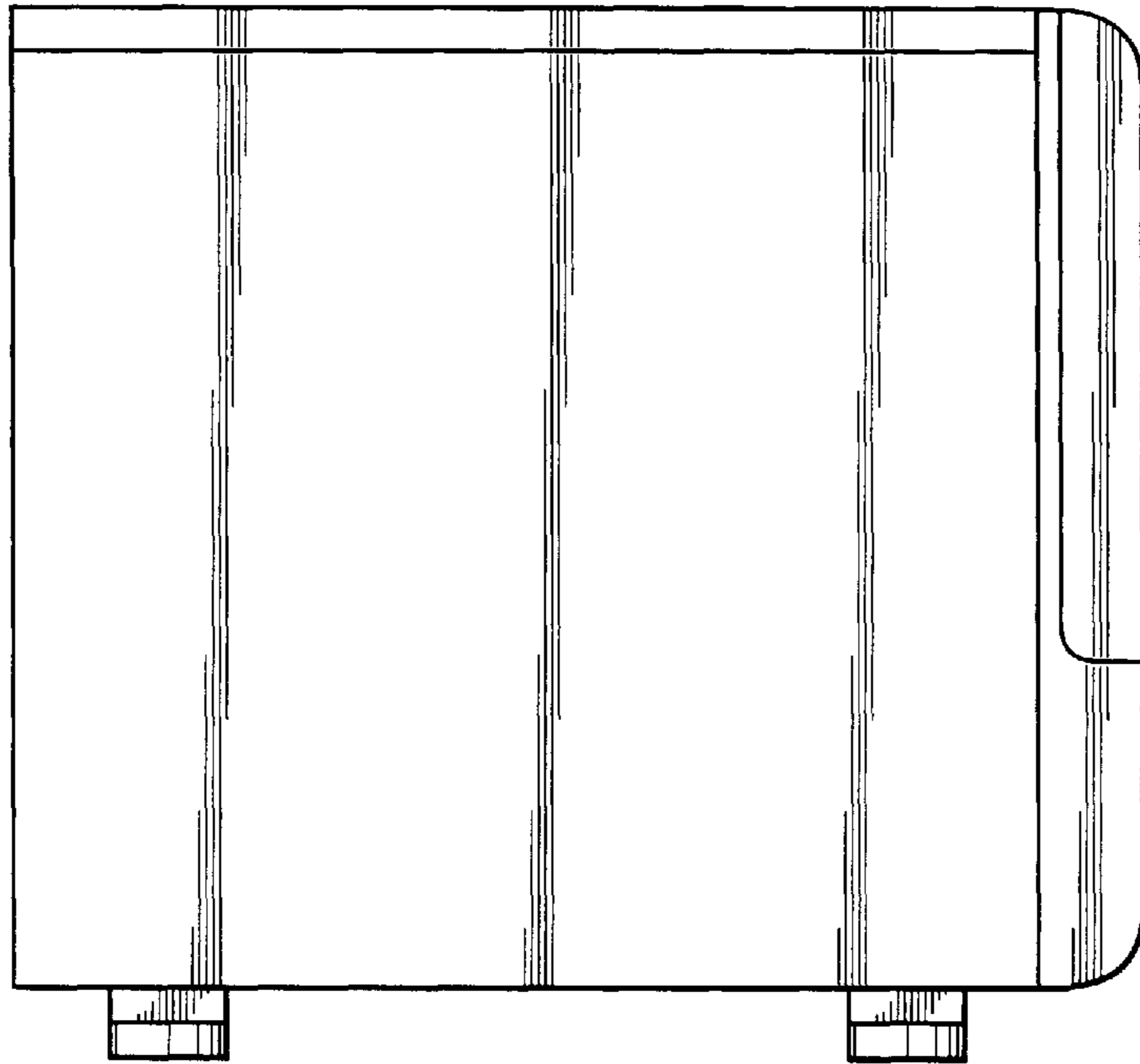


FIG. 5

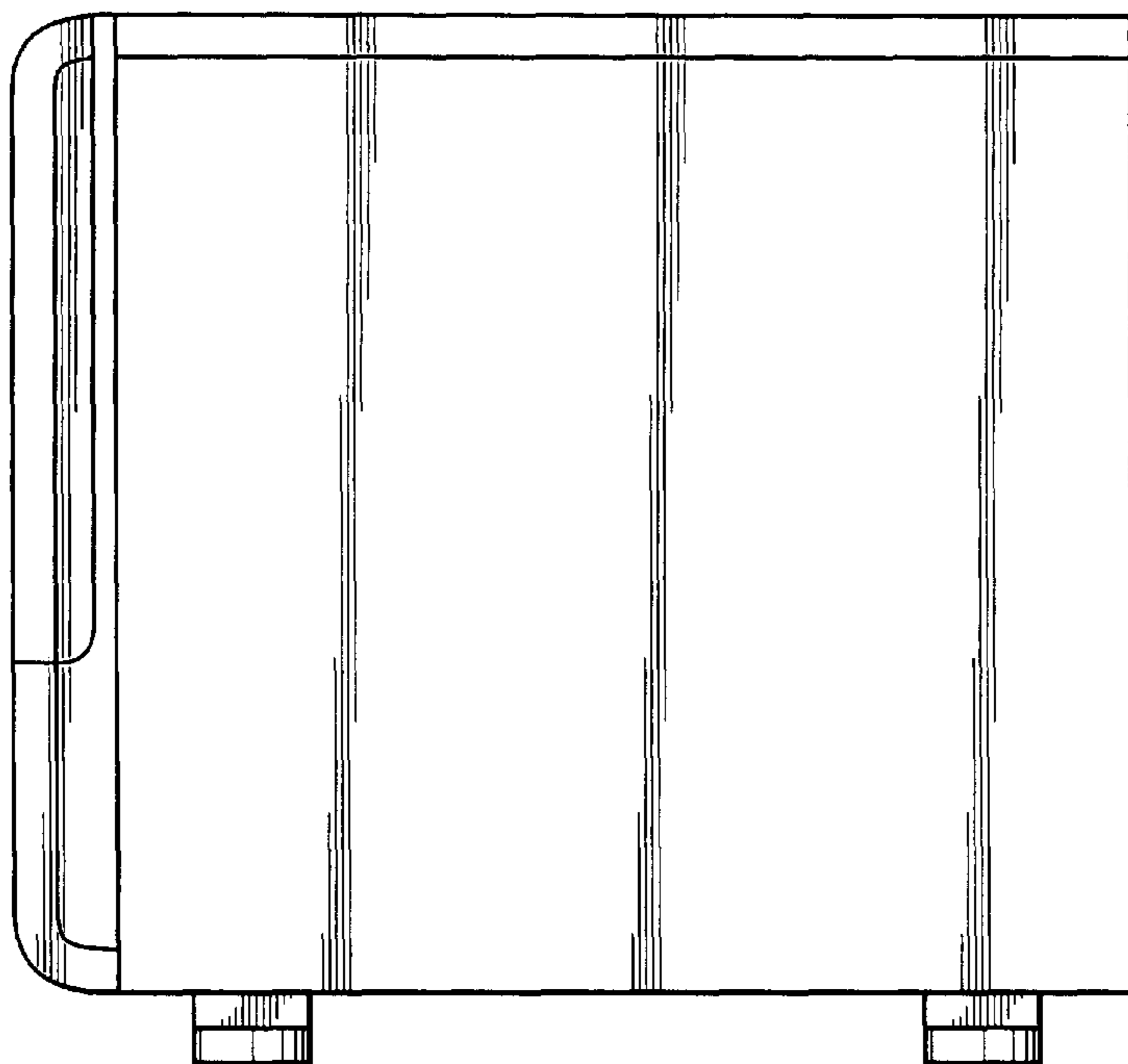


FIG. 6

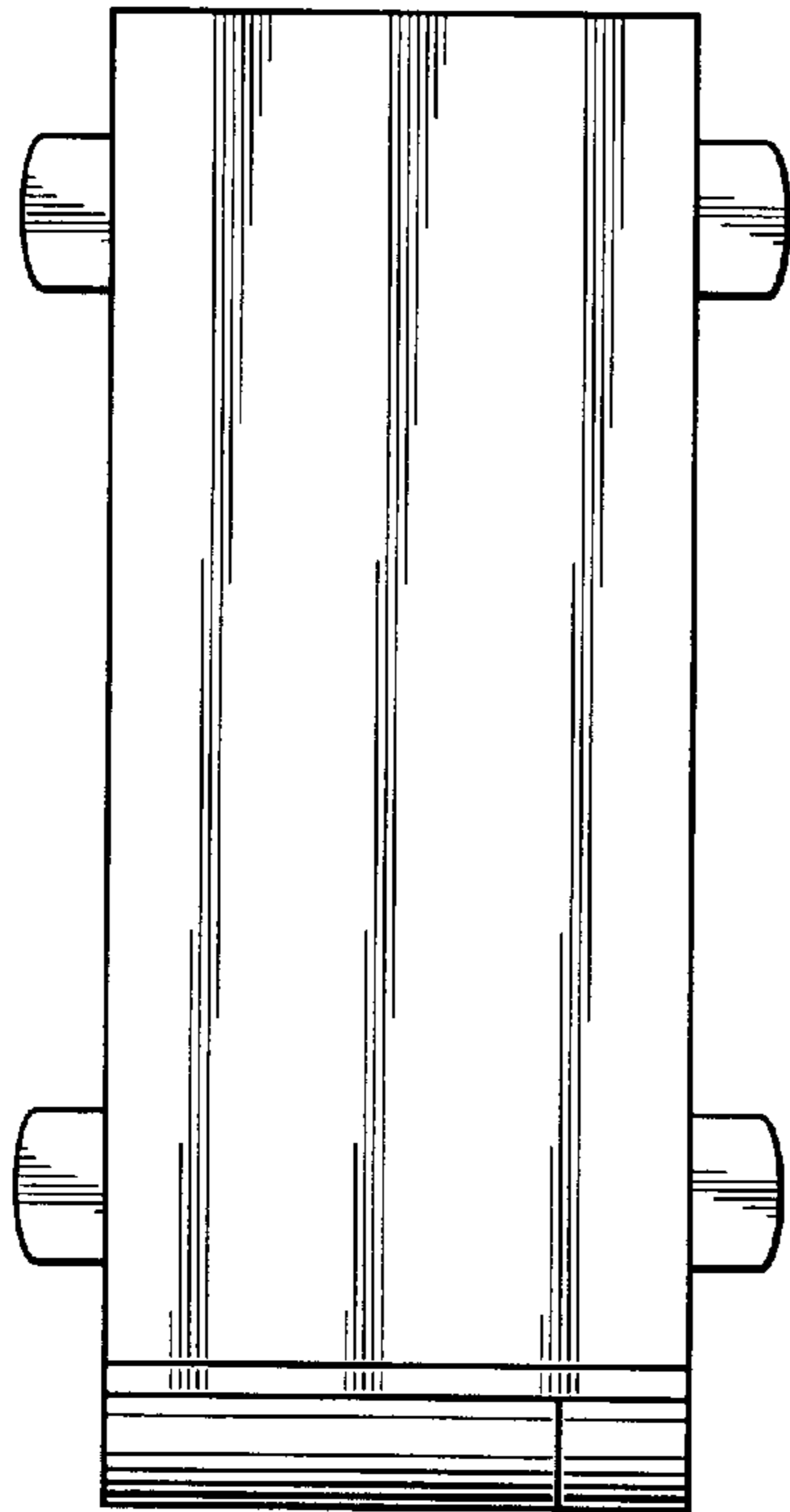


FIG. 7

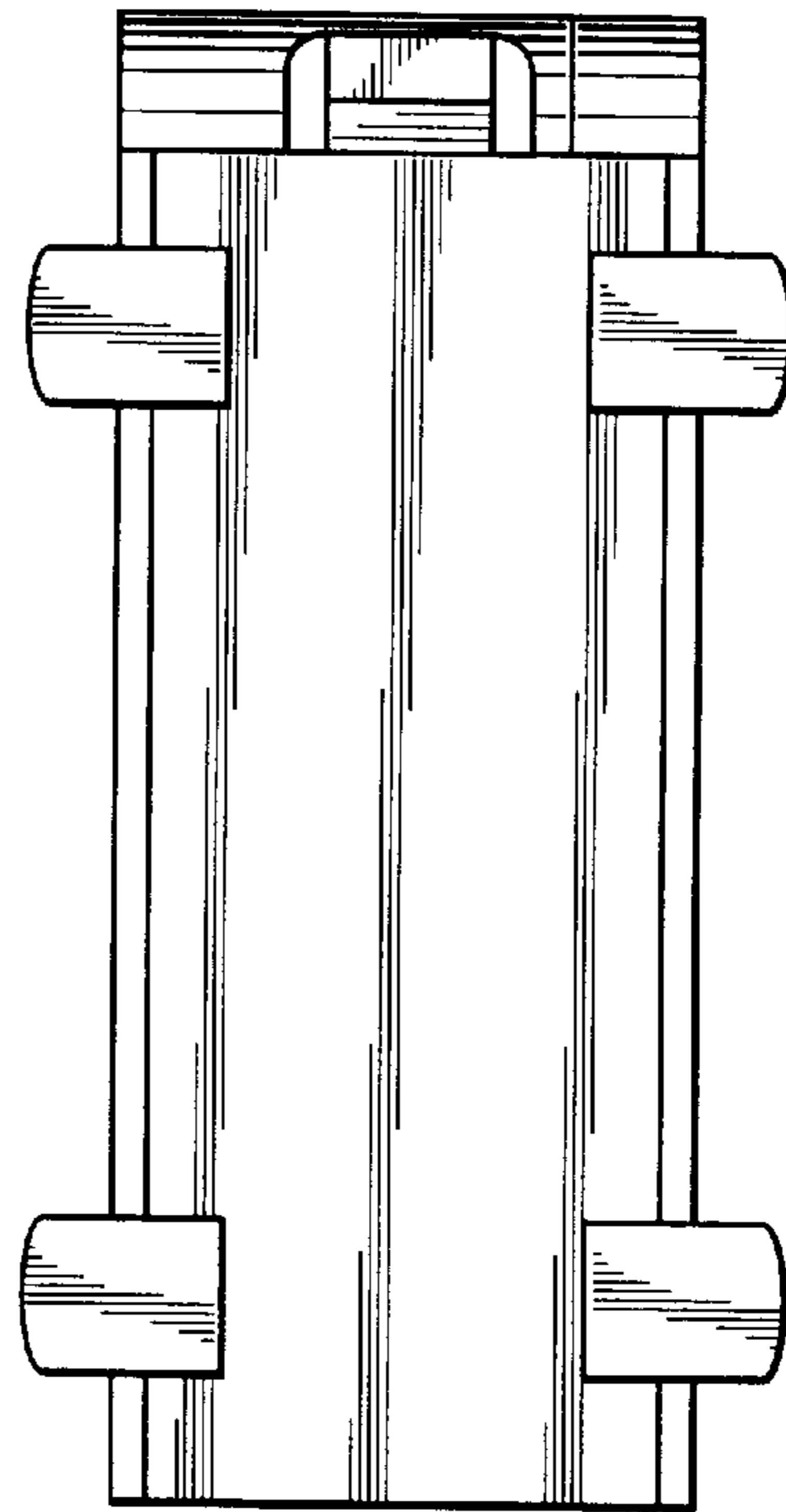


FIG. 8

