



US00D481379S

(12) **United States Design Patent**
Nagai et al.

(10) **Patent No.:** **US D481,379 S**

(45) **Date of Patent:** **** Oct. 28, 2003**

(54) **OPTICAL WIRELESS COMMUNICATION DEVICE**

(75) Inventors: **Takumi Nagai**, Shinagawa-ku (JP);
Mika Maezawa, Shinagawa-ku (JP);
Shintaro Yokota, Yokohama (JP);
Yuichiro Gannen, Yokohama (JP)

(73) Assignees: **Allied Telesis K.K.**, Tokyo (JP); **Ytech Design Co., Ltd.**, Yokohama (JP)

(**) Term: **14 Years**

(21) Appl. No.: **29/168,363**

(22) Filed: **Oct. 2, 2002**

(30) **Foreign Application Priority Data**

Apr. 2, 2002 (JP) 2002-008805

(51) **LOC (7) Cl.** **14-03**

(52) **U.S. Cl.** **D14/240**

(58) **Field of Search** D14/240, 217,
D14/299, 301; D13/184; 333/109, 110;
379/347, 413.02; 439/717, 74

(56) **References Cited**

U.S. PATENT DOCUMENTS

D372,483 S * 8/1996 Dow et al. D14/299

D374,673 S * 10/1996 Beaumont et al. D14/240

D424,065 S * 5/2000 Soo D14/240

D441,744 S * 5/2001 Miyazaki D14/240

D463,416 S * 9/2002 Tomino et al. D14/240

D464,958 S * 10/2002 Coker et al. D14/240

* cited by examiner

Primary Examiner—Charles A. Rademaker

(74) *Attorney, Agent, or Firm*—Oblon, Spivak, McClelland,
Maier & Neustadt, P.C.

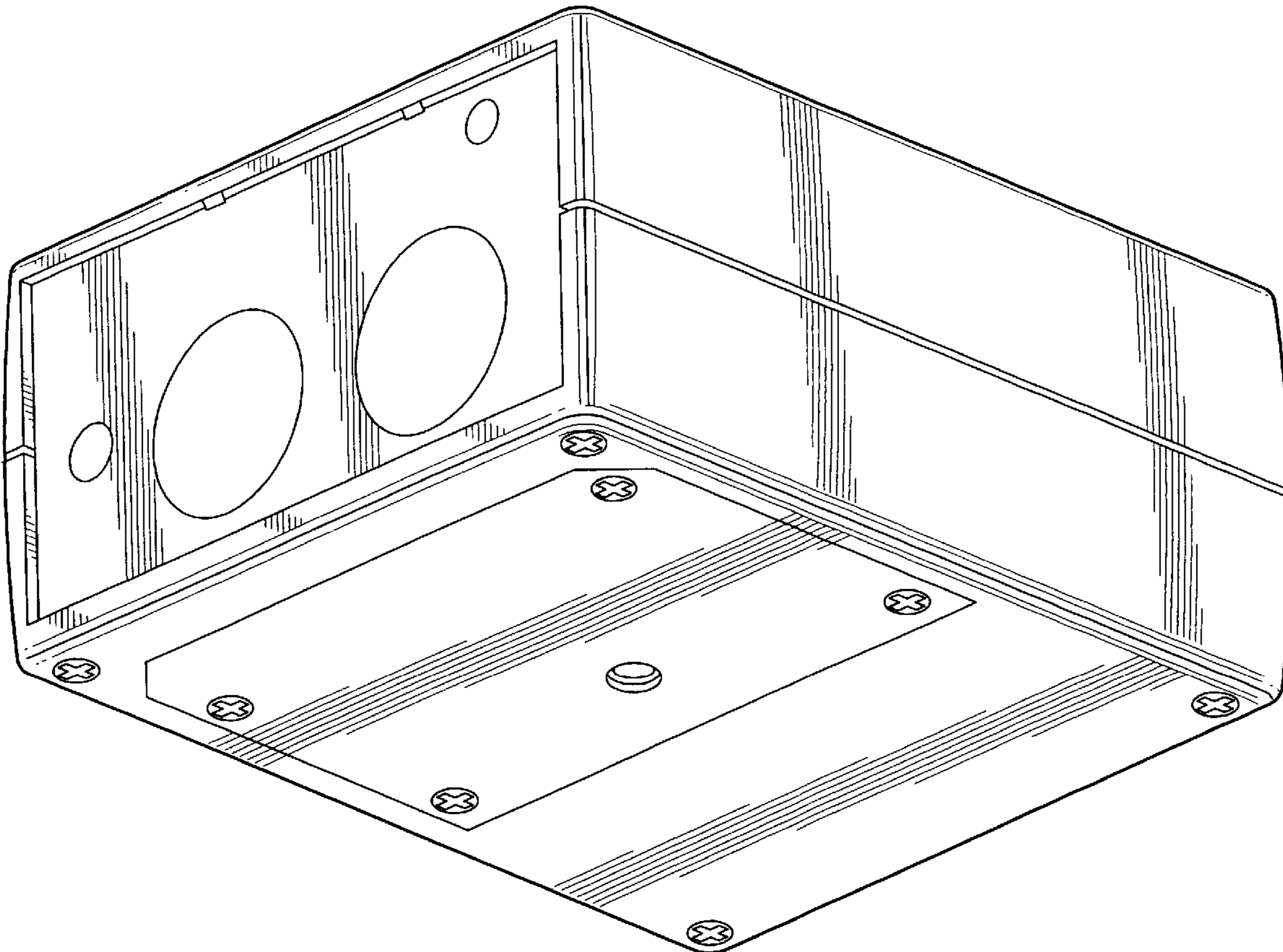
(57) **CLAIM**

The ornamental design for an optical wireless communication device, as shown and described.

DESCRIPTION

FIG. 1 is a bottom and right front perspective view of an optical wireless communication device, showing our design; FIG. 2 is a front elevational view thereof; FIG. 3 is a rear elevational view thereof; FIG. 4 is a top plan view thereof; FIG. 5 is a bottom plan view thereof; FIG. 6 is a right side elevational view thereof; and, FIG. 7 is a left side elevational view thereof.

1 Claim, 5 Drawing Sheets



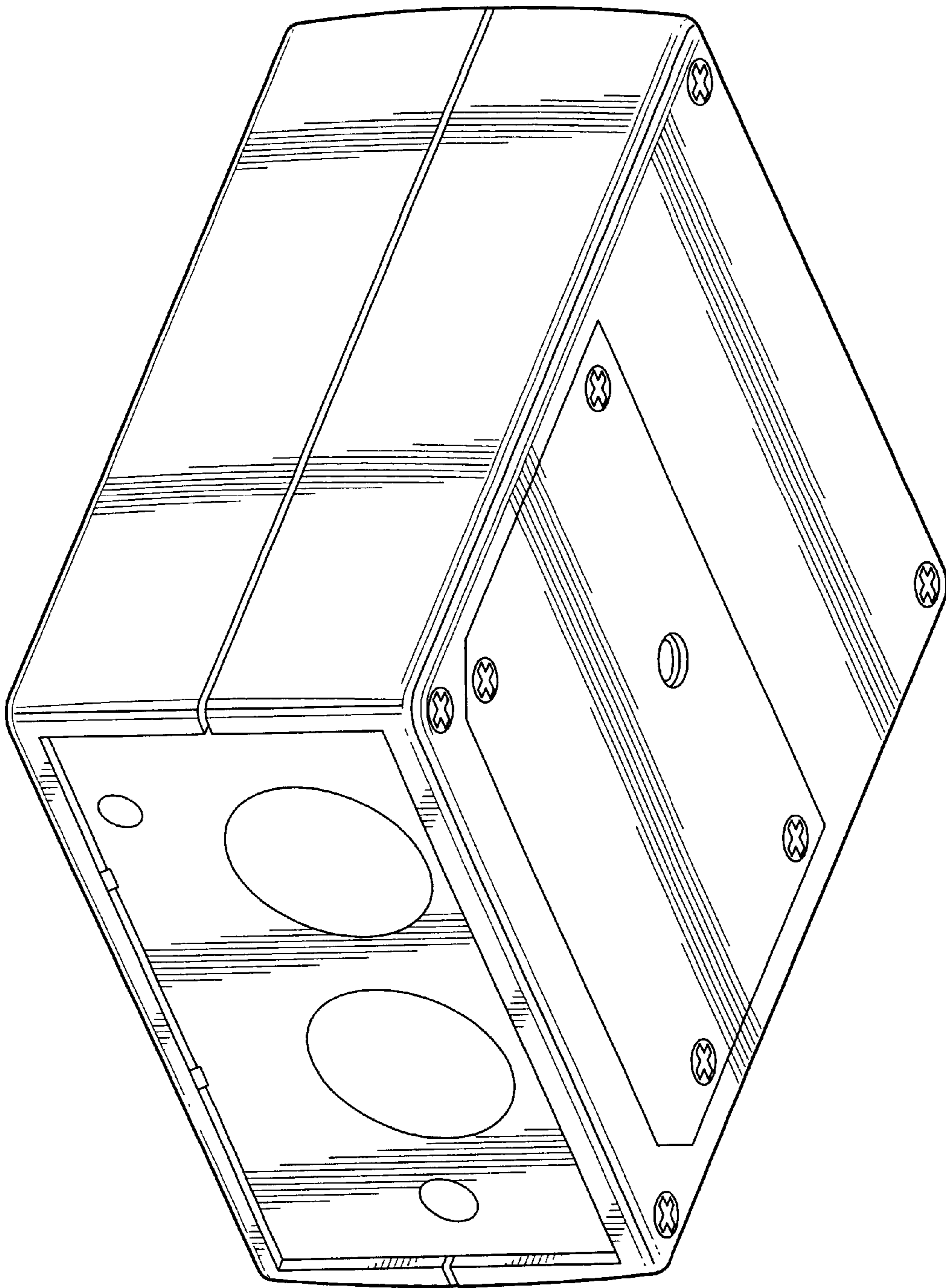


FIG. 1

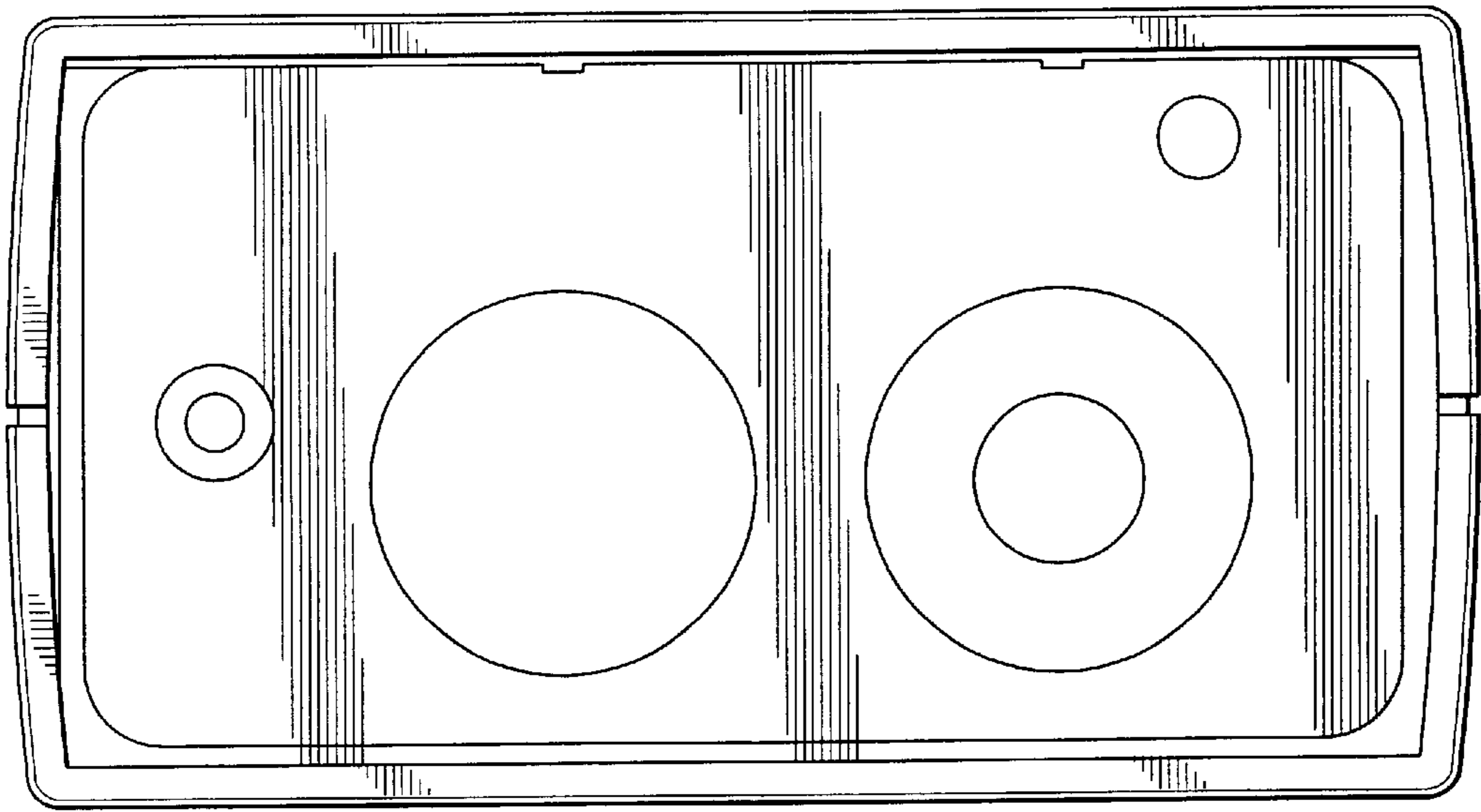


FIG. 2

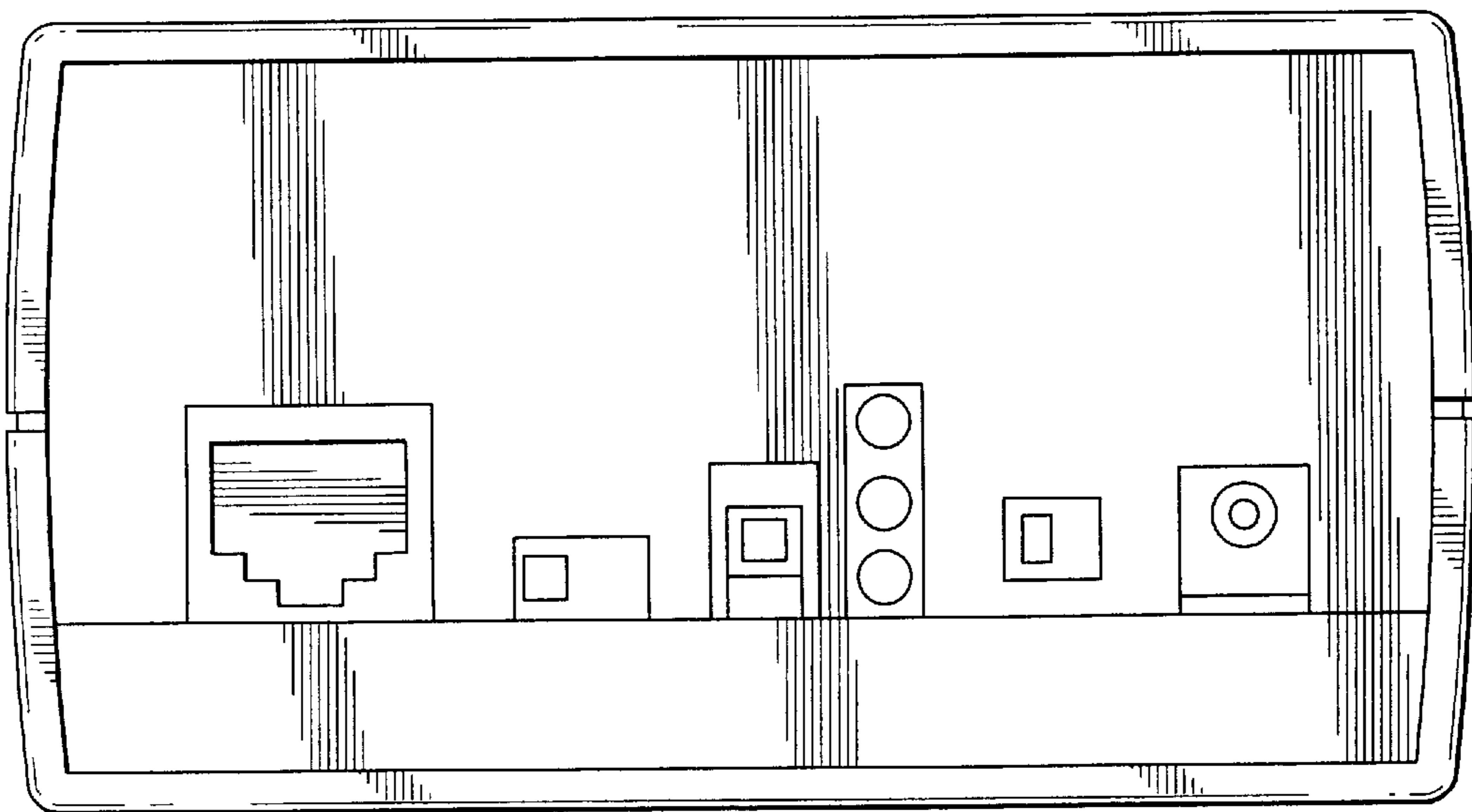


FIG. 3

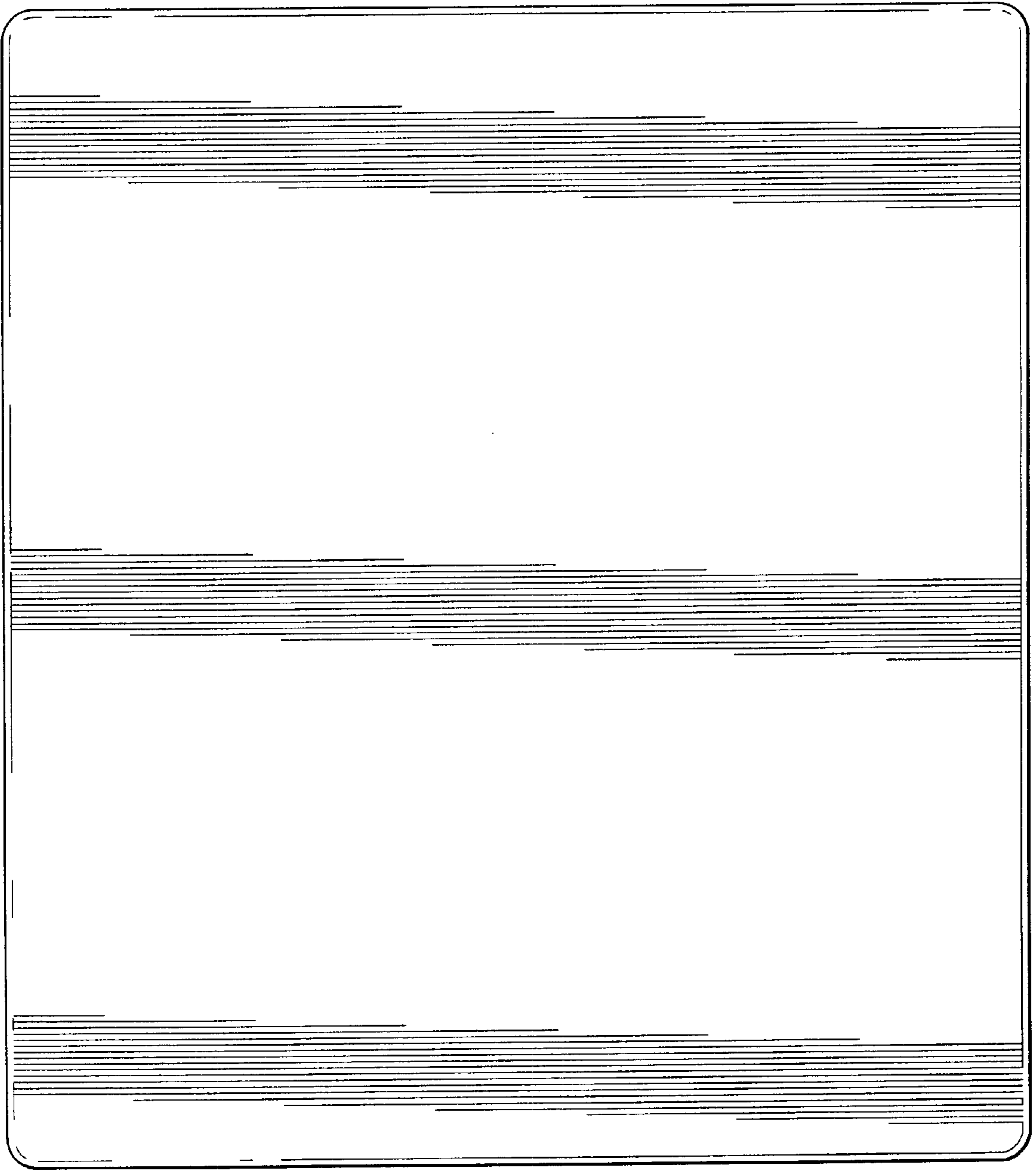


FIG. 4

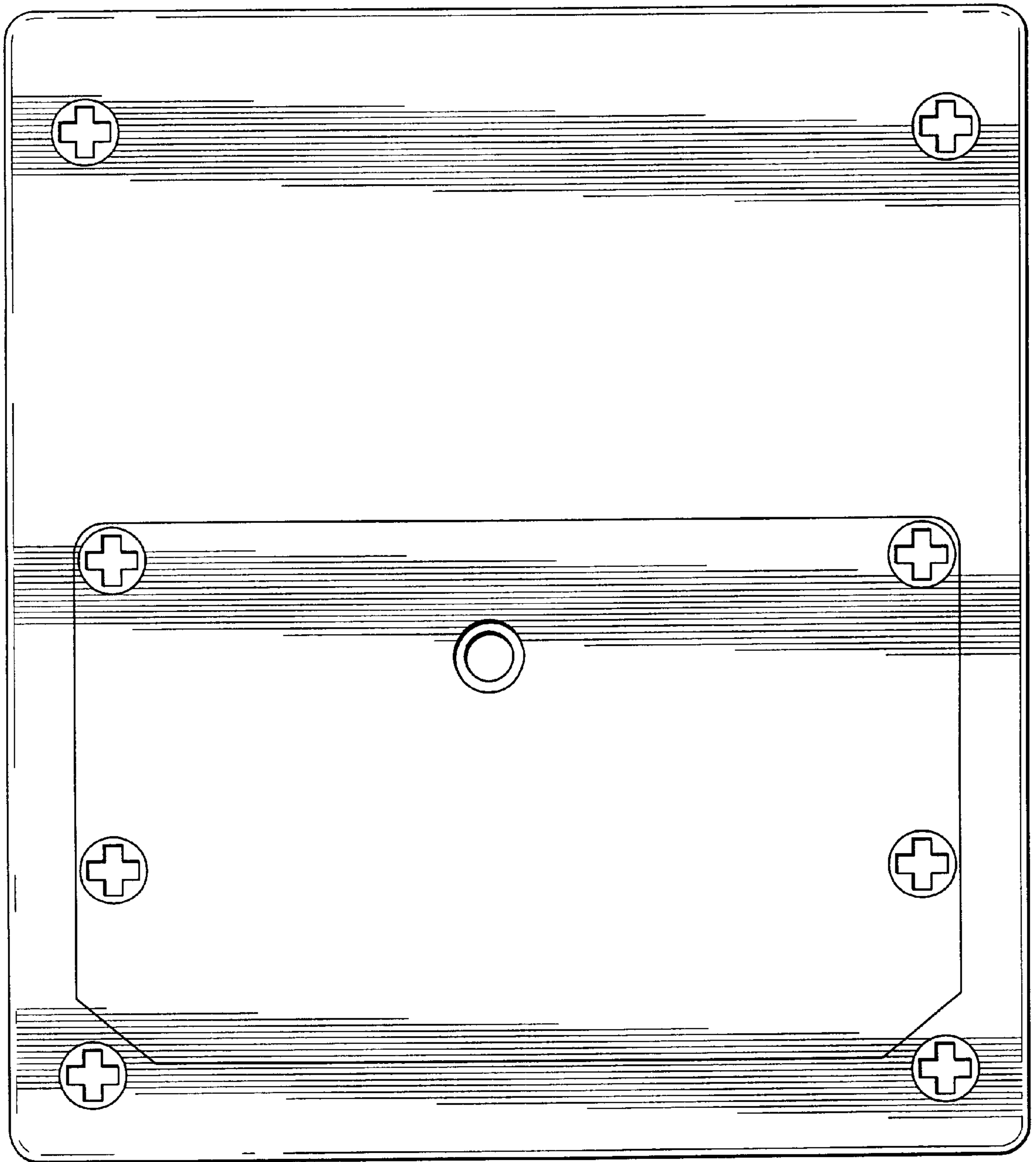


FIG. 5

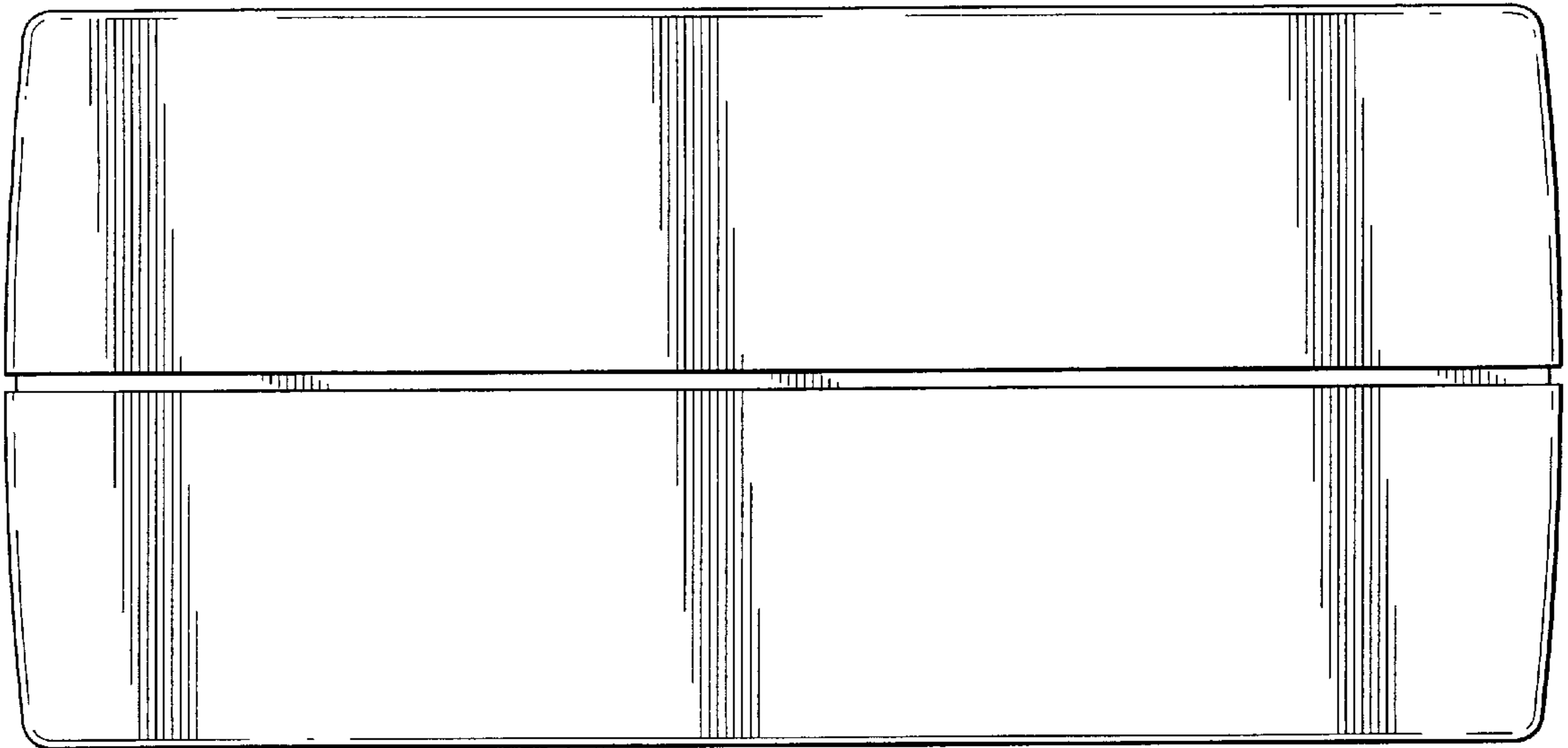


FIG. 6

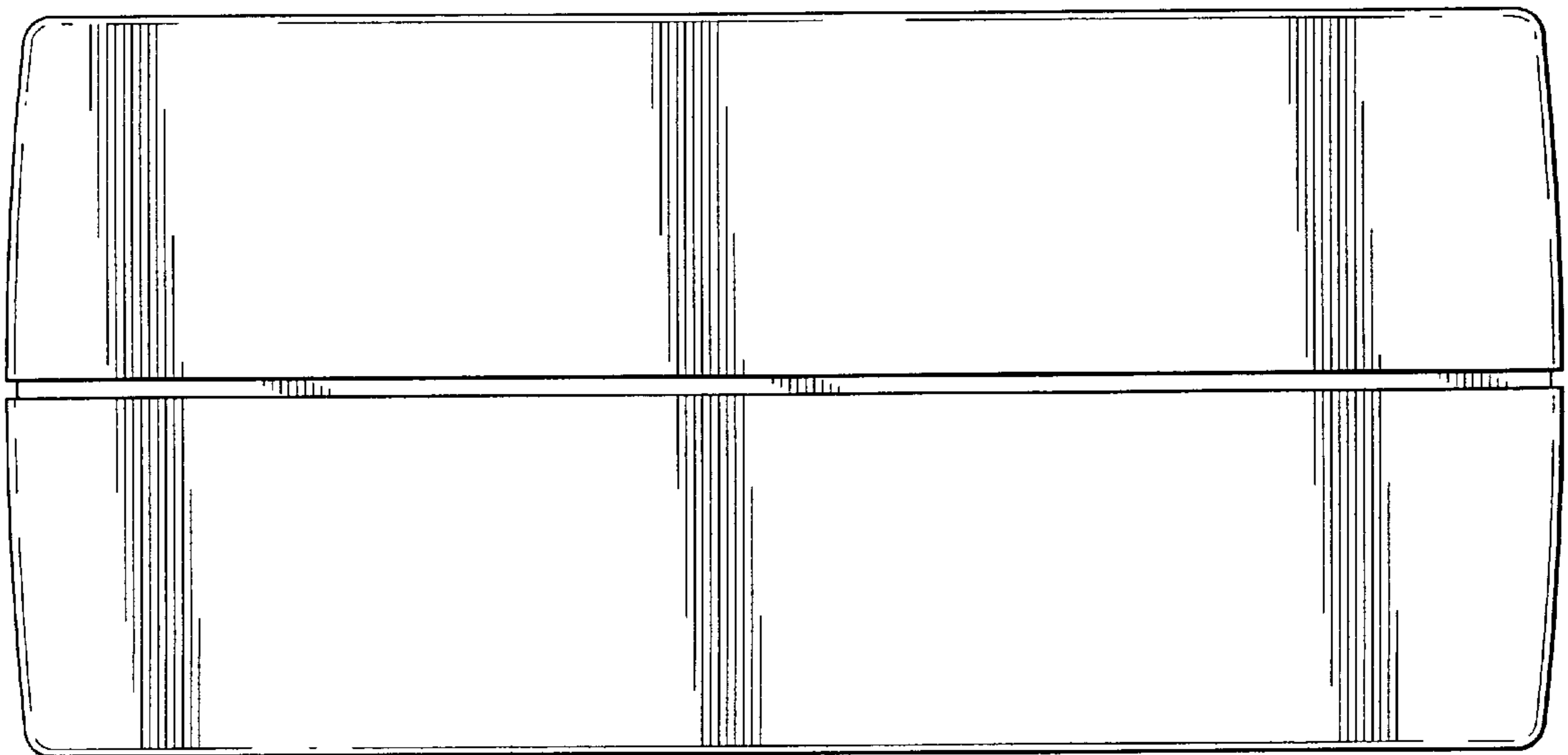


FIG. 7